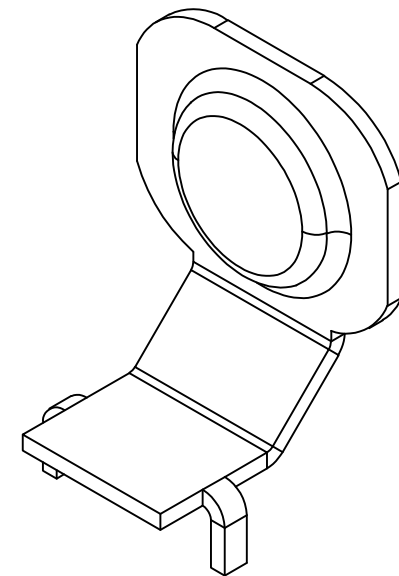
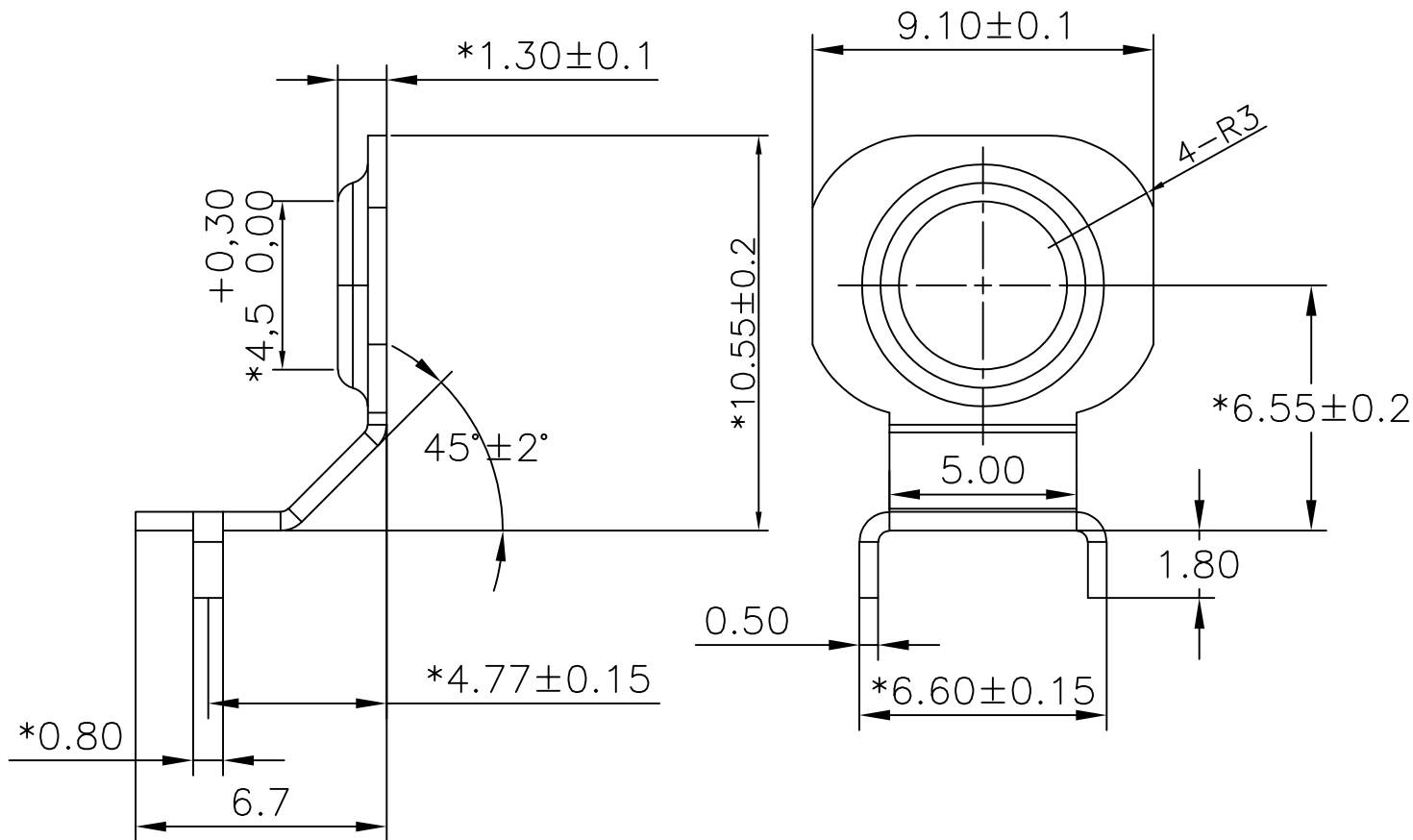




REV.	ECN NO.	REVISED	DATE



工程部
2023-05-04
H. WANG

技术要求:

- 1、截断面毛刺高度 $\leq 0.03\text{mm}$;
- 2、部件要求平整,无变形、裂纹、损伤等外观缺陷;
- 3、带‘*’尺寸为重点管控尺寸;

UNLESS OTHERWISE SPECIFIED TOLERANCES		MYOUNG 美阳 www.meiyangdz.com			
DECIMALS: X :±0.30 X.X :±0.25 X.XX :±0.20 X.XXX :±0.10	ANGLES: X :±1° X.X :±0.5°	DSND	YangFeng	DATE	2023-05-04
		CHKD	ZhouRuicai	DATE	2023-05-04
		APVD	XueShunyong	DATE	2023-05-04
WEIGHT:		SCALE:	1:5	SIZE:	A4
SHEET 1 OF 1		VIEW:	⊕ ⊖	UNIT:	mm
		REV.:	A/0	OBJECT:	MY
		TITLE:		7号电池弹片正极013 Ni	
		PART NO.:		MY-AAA-13-J	
		DRAW NO.:WD-CP-0239			

1	TERMINAL(+)	1	SUS304, T=0.5MM	Ni-PLATING
NO.	PART NAME	Q'TY	MATERIAL	PLATING & COLOR