



## High-Efficiency Boost/SEPIC/Flyback DC/DC Controller

### General Description

The VP3681 is a versatile controller designed for use in Boost, SEPIC and Flyback power converter and topologies that needs an external low-side N-MOSFET acting as primary switch. Besides cycle-by-cycle current limiting, current mode control scheme also makes it wide bandwidth and good transient response. The current limit can be programmed simply with an external resistor.

The switching frequency can be set in any value between 100kHz and 1MHz with a resistor or any external clock source. The VP3681 can be operated at high switching frequency to save the solution board size. While entering shutdown mode, the VP3681 only sinks 10 $\mu$ A and it allows power supply sequencing. It has built-in protection circuits such as thermal shutdown, under-voltage lockout, short circuit protection, and overvoltage protection. Internal soft-start circuitry reduces the inrush current at start-up.

VP3681 is available in small DFN10 3x3 and MSOP10 green package.

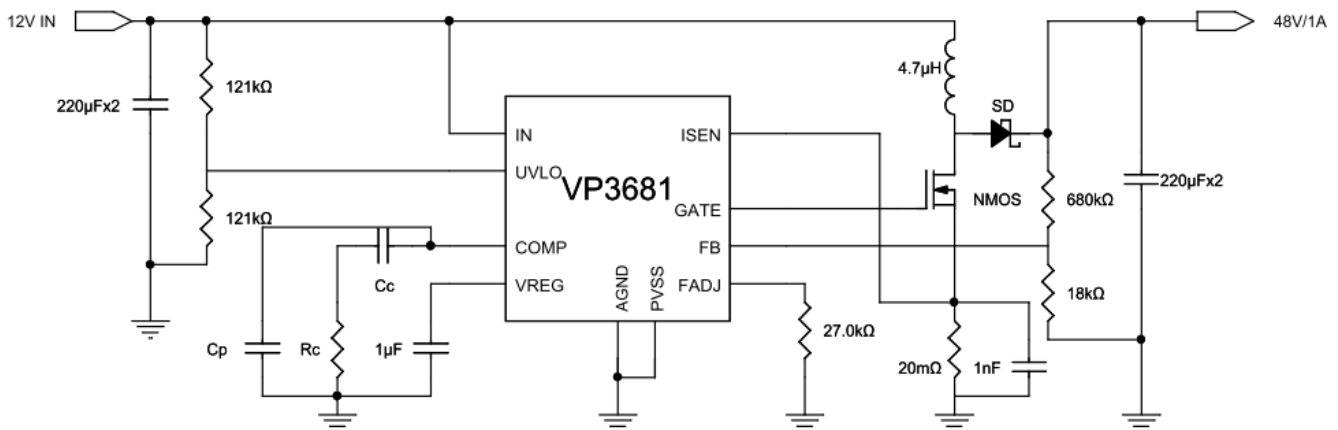
### Features

- Wide Input Voltage from 2.97V to 60V
- Reference Voltage with  $\pm 3.0\%$  Accuracy
- Adjustable 100kHz~1MHz Clock Frequency
- 10 $\mu$ A Shutdown Current
- 1A Peak Current Limit Using Internal Driver
- Current Mode Operation
- Internal 4/2 $\Omega$  MOSFET Switch
- External RC Compensation
- Internal Soft-Start
- High Efficiency at Light Loads
- Cycle-By-Cycle Current Limit
- Over Temperature Protection
- Adjustable Input UVLO Threshold Voltage
- DFN10 3x3 and MSOP10 Green Package with RoHS Compliant

### Applications

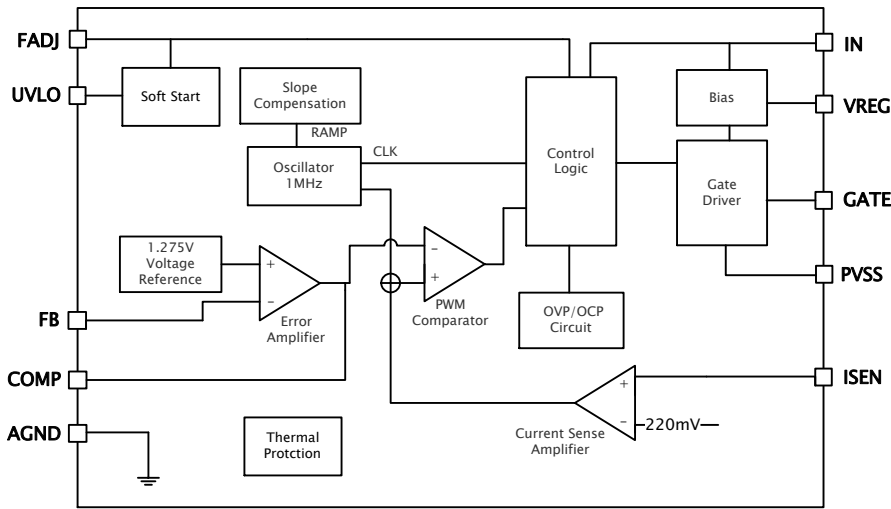
- Portable Speakers
- Offline Power Supply
- Battery Powered Device
- Automotive
- Photovoltaic Inverters

### Typical Application

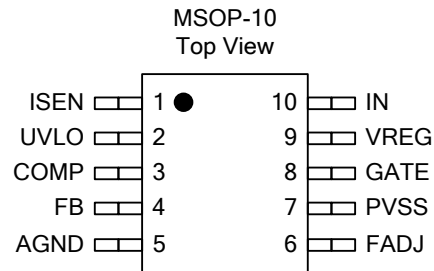
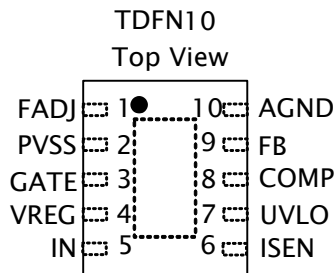




## Functional Block Diagram



## Pin Assignments And Descriptions



TDFN10	MSOP10	Pin	I/O/P	Function Description
1	6	FADJ	I	Frequency Adjust/Synchronization/Shutdown. A resistor connected from this pin to ground simply sets the oscillator frequency. An external clock signal at this pin will synchronize the controller to the clock. Pull on this pin for $\geq 30 \mu\text{s}$ will turn the device off and the device will then very few current about $5\mu\text{A}$ from the supply.
2	7	PVSS	P	Power Ground. Connect to exposed pad.
3	8	GATE	O	Gate Drive. Connect this terminal to the gate pin of the external MOSFET.
4	9	VREG	O	Drive Supply Voltage. A bypass capacitor must be connected from this pin to ground. Do not bias this pin with external power source.
5	10	IN	P	Power Supply Input.
6	1	ISEN	I	Current Sense. Use an external resistor in series with ground to measure the voltage drop.
7	2	UVLO	I	Under Voltage Lockout. Use a proper ratio resistor divider network to determine the voltage input to allow switching and the hysteresis to disable switching.
8	3	COMP	I	Compensation. Use an RC/C network to do proper loop compensation.
9	4	FB	I	Output Feedback. Connect the external resistor divider network from output to this pin to sense output voltage. The FB pin voltage is regulated to internal 1.275V reference voltage.
10	5	AGND	P	Analog Ground. Connect to exposed pad.



## Absolutely Maximum Ratings

Over operating free-air temperature range, unless otherwise specified (\* 1)

Symbol	Parameter	Limit	Unit
$V_{IN}$	Supply voltage range	-0.3 to 65	V
$V_{LV}$ (COMP/UVLO/FB/FADJ/ GATE)	Low voltage range	-0.3 to 6	V
$V_{CC}$ (VREG)	Regulator output pin range	-0.3 to 5	V
$V_{ISEN}$	Current sense pin range	-0.4 to 0.6	V
$T_{JMAX}$	Junction temperature range MAX.	150	°C
$T_{STG}$	Storage temperature range	-65 to 150	°C
Electrostatic discharge	Human body model	2	kV
Electrostatic discharge	Machine model	200	V

(\*1): Stress beyond those listed at “absolute maximum rating” table may cause permanent damage to the device. These are stress rating ONLY. For functional operation are strongly recommend follow up “recommended operation conditions” table.

## Recommended Operating Conditions

Symbol	Parameter	Specification		Unit
		Min	Max	
$V_{IN}$	Supply voltage	2.97	60	V
$f_{OSC}$	Switching voltage range	0.1	1	MHz
$T_J$	Operating Junction range	-40	125	°C

## Thermal Information

Thermal Metric Parameter		VP3481MSG10	LM3481DNG10	Unit
		MSOP	TDFN	
$\theta_{JC(top)}$	Thermal resistance (Junction to Case <sub>(top)</sub> )	46	54	°C/W
$\theta_{JA}$	Thermal resistance (Junction to Air)	147	49	°C/W
$\theta_{JB}$	Thermal resistance (Junction to Board)	81	21	°C/W
$\psi_{JT}$	Junction-to-top characterization parameter	3	2	°C/W
$\psi_{JB}$	Junction-to-board characterization parameter	77	21	°C/W



## Electrical Characteristics

$V_{IN}=12V$ ,  $R_{FADJ}=40k\Omega$ ,  $T_J=25^\circ C$ , unless otherwise specified (\* 1)

Symbol	Parameter	Test Condition	Specification			Unit
			Min	Typ	Max	
$V_{FB}$	Feedback voltage	$V_{COMP}=1.4V$ , $3V < V_{IN} < 60V$		1.275		V
$I_{STBY}$	Standby current in shutdown mode	$V_{FADJ}=3V$	$V_{IN}=12V$	14		$\mu A$
			$V_{IN}=5V$	10		
$V_{UVLO}$	Under voltage lockout	$V_{UVLO}$ Ramp down	1.345		1.517	V
$I_{UVLO}$	UVLO source current	$V_{EN} = 3V$		4.5		$\mu A$
$V_{UVLOSD}$	UVLO Shutdown voltage		0.55	0.7	0.82	V
$V_{COMP}$	COMP pin voltage	$V_{FB}=1.275V$		1		V
$R_{DS(ON)}$	High-side switch $R_{DS(ON)}$ (*1)	$V_{IN}=5V$ , $I_{GATE}=0.2A$		4		$\Omega$
	Low-side switch $R_{DS(ON)}$ (*1)	$V_{IN}=5V$ , $I_{GATE}=0.2A$		2		
$A_{VOL}$	Error amplifier voltage gain	$V_{COMP}=1.4V$ , $I_{EAO}=100\mu A$		60		V/V
$g_M$	Error amplifier trans-conductance	$V_{COMP}=1.4V$		430		$\mu S$
$V_{GATE}$	Maximum GATE driving swing	$V_{IN} < 5.8V$		$V_{IN}$		V
		$V_{IN} \geq 5.8V$		5.2		
$f_{OSC}$	Oscillation frequency	$R_{FADJ}=40k\Omega$	0.4	0.475	0.555	MHz
$D_{MAX}$	Maximum duty cycle	$R_{FADJ}=40k\Omega$		85		%
$\Delta V_{LINE}$	Voltage line regulation	$3V < V_{EN} < 60V$		0.02		%/V
$\Delta V_{LOAD}$	Voltage load regulation	$I_{EAO}$ Source/Sink		$\pm 0.5$		%/A
$t_{MIN(ON)}$	Minimum on-time				571	nS
$I_{SUPPLY}$	Supply Current	$R_{FADJ}=40k\Omega$		3.3		mA
$V_{SENSE}$	Current sense threshold voltage		120	170	200	mV
$V_{SC}$	Overload current limit sense voltage		160	200	350	mV
$V_{SL}$	Internal compensation ramp			90		mV
$V_{OVP}$	Output overvoltage protection	$V_{COMP}=1.4V$	26	85	135	mV
$V_{OVP(HYS)}$	Output overvoltage protection hysteresis	$V_{COMP}=1.4V$	28	70	106	mV



## Electrical Characteristics (cont.)

$V_{IN}=12V$ ,  $R_{FADJ}=40k\Omega$ ,  $T_J=25^\circ C$ , unless otherwise specified (\* 1)

Symbol	Parameter	Test Condition	Specification			Unit
			Min	Typ	Max	
$I_{EAO}$	Error amplifier output current (Source/Sink)	Source, $V_{COMP} = 1.4V$ , $V_{FB} = 0V$	450	525	700	$\mu A$
		Sink, $V_{COMP} = 1.4V$ , $V_{FB} = 1.4V$	80	110	140	
$V_{EAO}$	Error amplifier output voltage	Upper Limit $V_{FB}=0V$ , COMP pin floating		2.5		V
		Lower Limit $V_{FB}=1.4V$		0.78		
$V_{SD}$	Shutdown signal threshold on FADJ pin(*2)	Output = High Level ; Chip Disable		1.26		V
		Output = Low Level ; Chip Enable		0.63		
$t_{SS}$	Soft start delay	$V_{FB} = 1.2V$ , COMP pin floating	8.7	15	21.3	mS
$t_R$	GATE pin rising time	$C_{gs} = 3000pF$ , $V_{GATE} = 0V$ to 3V		18		nS
$t_F$	GATE pin falling time	$C_{gs} = 3000pF$ , $V_{GATE} = 3V$ to 0V		12		nS
$I_{SD}$	Shutdown pin current FADJ pin	$V_{SD}=0V$		10		$\mu A$
$T_{SD}$	Thermal shutdown			175		$^\circ C$
$T_{SD(HYS)}$	Thermal shutdown hysteresis			10		$^\circ C$

(\*1): Stress beyond those listed at "absolute maximum rating" table may cause permanent damage to the device. These are stress rating ONLY. For functional operation are strongly recommend follow up "recommended operation conditions" table.

(\*2) The FADJ pin should be pulled to VIN through a resistor to turn the regulator off. The voltage on the FADJ pin must be above the maximum limit for Output = High Level to keep the regulator off and must be below the limit for Output = Low Level to keep the regulator on.



## Functional Descriptions

The VP3681 employs the current-mode, adjustable frequency pulse-width modulation (PWM) architecture. It operates at adjustable switching frequency under medium to high load current conditions.

### Overvoltage and UVLO Protection

The VP3681 uses FB pin to detect overvoltage occurrence. The overvoltage protection should be triggered at the voltage rises to  $V_{FB} + V_{OVP}$ . When OVP occurs only the MOSFET will be turned off, the output voltage will drop. VP3681 will switch when the voltage on FB pin is less than  $(V_{OVP} + V_{FB} - V_{OVP(HYS)})$ .

The VP3681 provides UVLO pin to program enable and disable thresholds. The voltage on UVLO pin would be compared with internal reference 1.43V. Figure 1 shows how the UVLO detection works.

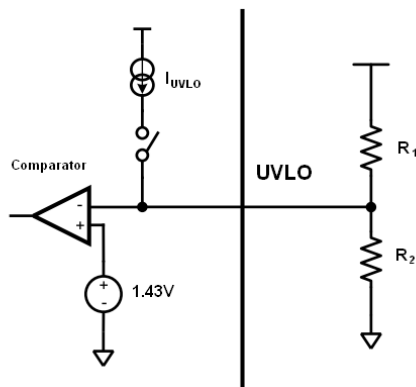


Figure 1. UVLO Pin Configuration

The R1/R2 network programs the enable threshold voltage  $V_{EN}$ . When the VP3681 is enabled the  $I_{UVLO}$  will source 4.5μA current flows the  $R_2$  which causes a hysteresis. Hence the disable threshold,  $V_{SH}$ , is lower than the enable threshold  $V_{EN}$ .

$$R_2 = \frac{1.43V}{I_{UVLO}} \times \left( 1 + \frac{1.43V - V_{SH}}{V_{EN} - 1.43V} \right)$$

$$R_1 = R_2 \times \left( \frac{V_{EN}}{1.43V} - 1 \right)$$

Select appropriate value of  $V_{EN}$ ,  $V_{SH}$  and use above two equations to determine the value of  $R_1$  and  $R_2$ .

### Bias Voltage

VP3681 generates the internal bias voltage from  $V_{IN}$  if it does not exceed 6V. When  $V_{IN}$  is higher than 6V the VP3681 will use internal regulation to bias the chip. To improve the stability of the bias, an external capacitor of 0.47μF~4.7μF is strongly recommended to add on VREG terminal.

In any case, do not add external voltage on VREG pin or the chip would be damaged.

### Frequency Adjust

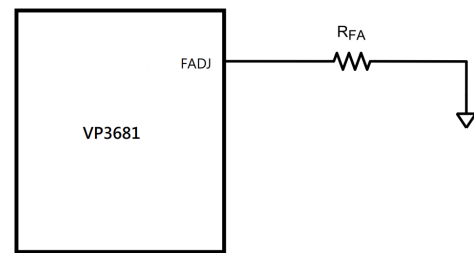


Figure 2. Frequency Adjustment

As shown in figure 2, the switching frequency can be adjusted from 100kHz to 1MHz by an external resistor in series with FADJ terminal and ground. The following equation is used to calculate resistor value.

- a. When  $f_s < 300\text{kHz}$  the calculate as below,

$$R_{FADJ} = \frac{23 \times 10^3}{f_s} - 6.76$$

- b. When  $f_s > 300\text{kHz}$  the calculate as below,

$$R_{FADJ} = \frac{23 \times 10^3}{f_s} - 8.76$$

Where  $f_s$  is in kHz and  $R_{FADJ}$  is in kΩ.

### Clock Synchronization

With internal RC oscillator, VP3681 is able to be synchronized to an external clock by connecting to the FADJ terminal with  $R_{FADJ}$  in series with ground as



## Functional Descriptions (cont.)

shown in figure 3.

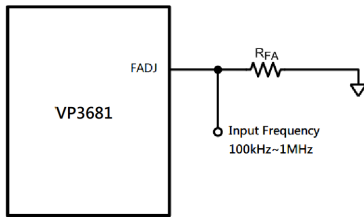


Figure 3. Clock Synchronization

### Shutdown

The FADJ pin can be used as a shutdown pin. If the high signal pulls up this pin, VP3681 will stop the switching and then enter the shutdown state. In this state, VP3681 consumes only 10µA typically.

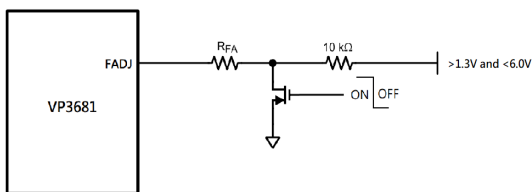


Figure 4. Shutdown Operation

The use of shutdown control in frequency adjustment mode is quite simple. Connects the FADJ pin to ground will force the VP3681 runs at specified frequency and pulls this pin high will shutdown the IC. In both frequency and synchronization mode, pulls FADJ pin high lasting then 30us will also force the VP3681 enter the shutdown state. An example is shown in figure 4. However, the voltage on the FADJ pin should be always less than the absolute maximum of 6 V to avoid any damage to the device.

### Slope Compensation

VP3681 employs current mode control scheme. It has many advantages such as cycle-by-cycle current limit for the switch and easier to parallel power stages because automatic current sharing. The compensation ramp is already added in VP3681 and the slope of the default compensation ramp could satisfy most applications.

### Overvoltage Protection

The VP3681 has overvoltage protection for the output. OVP occurrence is detected by sensing feedback (FB) pin. When the voltage at FB pin is over  $V_{FB} + V_{OVP}$ , overvoltage protection is triggered and the drive pin and the GATE pin will be tied-low.

Once the voltage at FB pin is lower than  $V_{FB} + (V_{OVP} - V_{OVP(HYS)})$ , the VP3681 will begin to switch again. Be aware that the error amplifier is still in operation during OVP event.

### Short Circuit Protection

The ISEN pin is used to sense the over-current occurrence. If the difference between ISEN pin and ground is greater than 200mV, the current limit will be activated. The comparator will decrease the switching frequency by the factor of 8 and maintains this condition until the over-current (short) event is removed.

### Programming Output Voltage

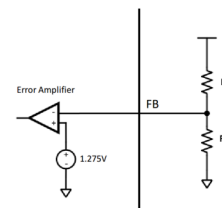


Figure 5. FB Pin Resistor Network

While enabling the VP3681, the voltage divider taped to FB pin programs the default output voltage with the equation:

$$V_{OUT} = 1.275V \times \frac{R_2 + R_1}{R_2}$$

In real application, keep  $R_2$  around 10~20kΩ and select  $R_1$  according to the required output voltage. Place the voltage divider near the FB pin and keep the connecting trace away from the noisy nodes like GATE.



## Application Information

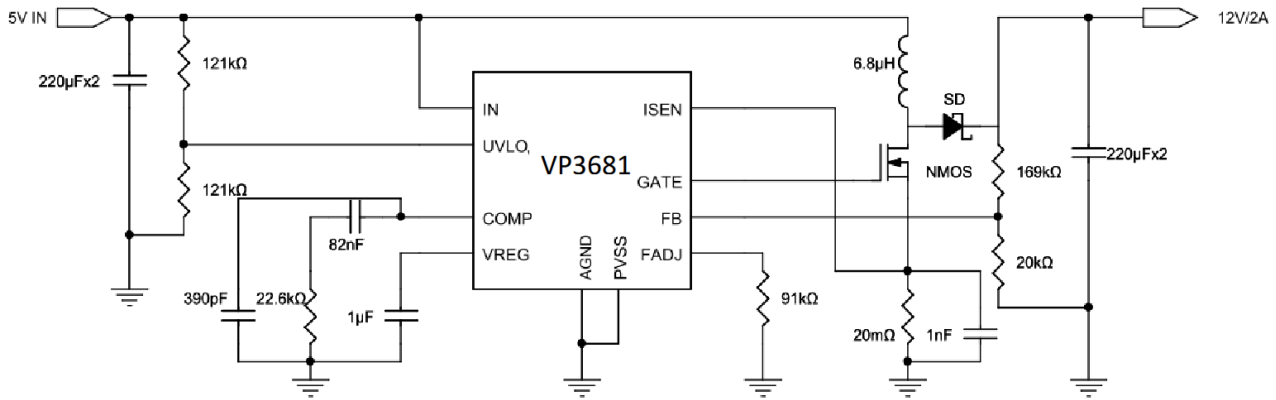


Figure 6. VP3681 Typical Boost Application

### Basic Boost Operation

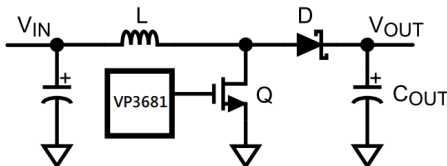


Figure 7. Simplified Boost Topology.

The most widely used topology of VP3681 is the boost operation and its simplified topology is shown in figure 7. The boost regulator operates in two cycles. In first cycle, the N-CH MOSFET is turned on and the energy is stored in the inductor and the load current is only supplied by the output capacitor due to the diode is reverse biased. Equivalent circuit is shown in figure 8. In the other cycle, the N-ch MOSFET is turned off and the energy stored in the inductor would be passed to the output capacitor (and the load). See figure 9 for equivalent circuit. Since the duty cycle is the on time/off time ratio of MOSFET. The output voltage can be obtained by:

$$V_{OUT} = \frac{V_{IN}}{1 - D}$$

Considering the voltage drop across the MOSFET and the Schottky diode:

$$V_{OUT} + V_D - V_Q = \frac{V_{IN} - V_Q}{1 - D}$$

Where  $V_D$  is the forward voltage drop of the Schottky diode, and the  $V_Q$  is channel voltage drop of the N-CH MOSFET.

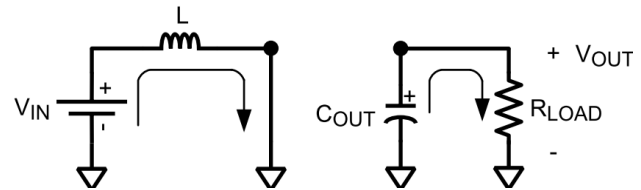


Figure 8. Boost operation when MOSFET is on

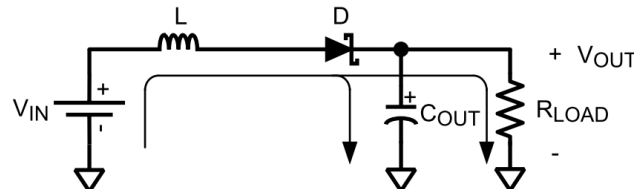


Figure 9. Boost operation when MOSFET is off

To calculate a cost-effective boost system, several parameters needed to be well considered: Input voltage ( $V_{IN}$ ), output voltage ( $V_{OUT}$ ), output current ( $I_{OUT}$ ) and PWM switching frequency ( $f_{PWM}$ ). Hence the parameter of the components should be carefully chosen with proper calculation.

### Power Inductor Selection

The inductor stores and releases energy in every cycle of the PWM switching cycle. A core size with higher rating should be selected. If the core is not properly applied, core saturation or high





## Application Information (cont.)

wire resistance will result bad efficiency. Please refer VP3681 EVB User Guide for calculating guide-lines.

The VP3681 PWM frequency can be set at high frequency. To minimize the inductor size, it is simply to increase the switching frequency. However, the peak current of the inductor can be extremely larger then the output current, especially under light load conditions.

### Diode Selection

The selection of the diode is based on two parameters: peak reverse voltage and average current. The peak diode reverse voltage for a boost regulator is simply equal to the output voltage plus reasonable safety margin. The diode current contains both the output load current and peak inductor current. The diode must be able to handle more then the inductor peak current. The peak current is obtained by the following formula:

$$I_{D(Peak)} = \frac{I_{OUT}}{1-D} + \Delta i_L$$

Where  $I_{OUT}$  is the output current and  $\Delta i_L$  is the peak inductor current.

The diode could be a dominator of power efficiency. To improve the efficiency, it is recommended to use a lower  $V_F$  Schottky diode with good heat sinking package.

### MOSFET Selection

The maximum drain to source voltage of the N-ch MOSFET must be greater then the output voltage in boost operation since the  $V_{DS}$  is approximately equal to the output voltage when the MOSFET is off.

The on-state channel resistance  $r_{DS(ON)}$  of the N-ch

MOSFET is proportional to the conduction loss by the following equation:

$$P_{LOSS\_COND(MAX)} = \left( \frac{I_{OUT(max)}}{1-D_{MAX}} \right)^2 D_{MAX} \cdot r_{DS(ON)}$$

where  $D_{MAX}$  is the maximum duty cycle.

And the switching loss may be the major portion of the total power loss while increasing the switching frequency. Since it is very difficult to estimate due to dynamic characteristics of the MOSFET, it is better to choose the MOSFET which parameter has lower  $Q_{GD}$  and  $Q_{GS}$  in general cases.

### Input Capacitor Selection

The input capacitor should be capable of handling the average current. Although the input capacitor is not critical in a boost application, lower capacitance values could cause impedance interactions. A good quality of low ESR capacitor should be chosen in range of 100 $\mu$ F to 220 $\mu$ F.

In order to minimize the noise disturbance especially  $V_{IN}$  is lower than 8V, it is good to use a 20 $\Omega$  and a 0.1 $\mu$ F bypass capacitor close attached to IN pin. The typical connection is shown in figure 10.

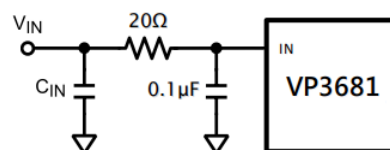


Figure 10. Input Bypassing Circuit

### Output Capacitor Selection

The output capacitor in the boost operation shall provides all the output current while the MOSFET is off and needs the ability to handle the large output currents. The RMS current of the output capacitor is:



## Application Information (cont.)

$$I_{C\_OUT(RMS)} = \sqrt{(1-D) \left[ I_{OUT}^2 \frac{D}{(1-D)^2} + \frac{\Delta i_L^2}{3} \right]}$$

where  $\Delta i_L = (V_{IN} * D) / (2 * L * f_{PWM})$

It is recommended to use low ESR and ESL capacitors at output for improving efficiency and reducing ripple voltage. Surface mount tantalums, OSCON or multi-layer ceramic capacitors are usually chosen for better performance.

### VREG Capacitor Selection

As described in function description, the VREG pin needs to be bypassed with a capacitor which has good performance in high frequency. It supplies the transient current required by the gate driver. The range of 0.47 $\mu$ F to 4.7 $\mu$ F multi-layer ceramic capacitor would be good for most cases. Please note the capacitor shall be placed close to the VREG pin.



## Application Information (cont.)

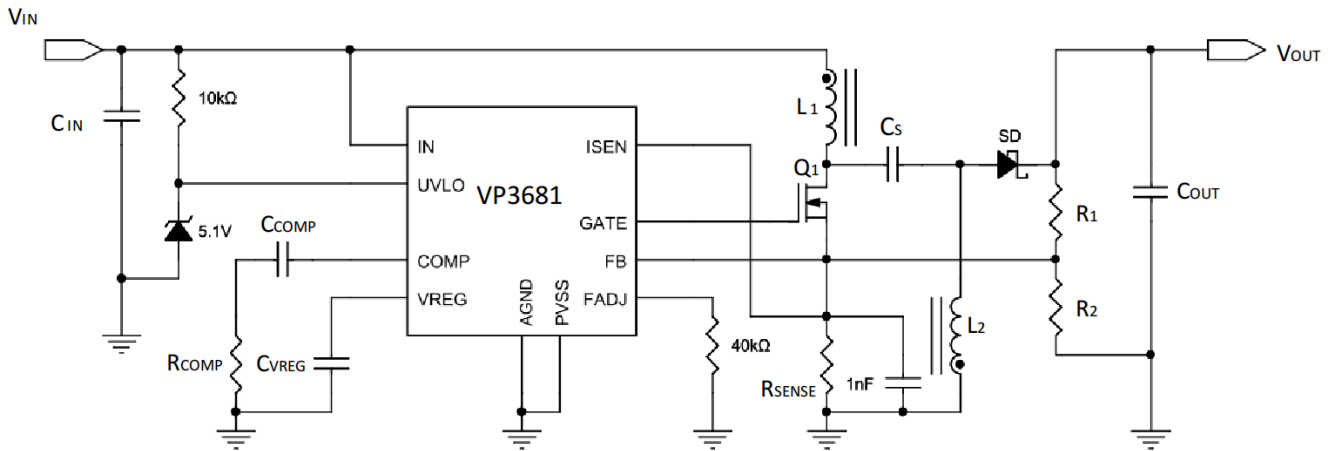


Figure 11. VP3681 Typical SEPIC Application

### Basic Operation

VP3681 can also be used in SEPIC application because of it controls low-side of NMOSFET. Figure 11 shows the VP3681 typical SEPIC application. This configuration allows the input voltage higher or lower than output voltage. For both stepping-up and stepping-down configuration, two inductors are needed. The two inductors can be individual inductor or two windings of a coupled transformer. For reducing input ripple it is better to use the coupled windings of transformers for both inductors.

The advantage of SEPIC structure over a boost converter is input and output isolation. The input and the output of pure boost converter is always connected through an inductor unless external switch is added. For SEPIC structure, a capacitor isolates the input from the output and provides protection against shorted or malfunctioning load. Hence, the SEPIC is useful for replacing boost circuits when true shutdown is required. This means that the output voltage falls to 0V when the switch is turned off. In pure boost converter, the output can only fall to the input voltage minus a diode drop and never turn off the output.

To properly pick up the components for the application, the following parameters need to be examined: Input voltage range, output voltage, output current range and the switching frequency. These four main parameters will affect the operating characteristic of the application.

### MOSFET Selection

Four parameters will dominate the selection of the MOSFET: minimum threshold voltage  $V_{TH(MIN)}$ , the On-resistance  $R_{DS(ON)}$ , the total gate charge  $Q_g$ , the reverse transfer capacitance  $C_{ss}$  and the maximum drain to source voltage  $V_{DS(MAX)}$ .

The peak switch voltage in SEPIC application is:

$$V_{SW(PEAK)} = V_{IN} + V_{OUT} + V_{DIODE}$$

Hence the  $V_{DS(MAX)}$  of MOSFET shall be:

$$V_{DS(MAX)} > V_{SW(PEAK)}$$

The peak switch current is determined by:

$$I_{SW(PEAK)} = I_{L1(AVG)} + I_{OUT} + \frac{\Delta I_{L1} + \Delta I_{L2}}{2}$$

Where  $\Delta I_{L1}$  and  $\Delta I_{L2}$  are the peak-to-peak ripple currents of the inductors respectively.

The RMS current through the switch is given by:

$$I_{SW(RMS)} = \sqrt{\left[ I_{SW(PEAK)}^2 - I_{SW(PEAK)}(\Delta I_{L1} + \Delta I_{L2}) + \frac{(\Delta I_{L1} + \Delta I_{L2})^2}{3} \right]^D}$$



## Application Information (cont.)

### Power Diode Selection

The diode must be selected to handle the peak current and the peak reverse voltage. In SEPIC application, the diode peak current is the same as the switch peak current. The off-state voltage or peak reverse voltage of the diode is  $V_{IN} + V_{OUT}$ . Similar to the boost converter, the average diode current is equal to the output current. In order to improve the efficiency, Schottky diodes are recommended.

### Inductor Selection

The inductors shall be chosen carefully to satisfy constant current mode requires calculations of the following parameters:

Inductor average current:

$$I_{L1(AVG)} = \frac{D \times I_{OUT}}{1 - D}$$

$$I_{L2(AVG)} = I_{OUT}$$

Peak-to-peak ripple current:

$$\Delta I_{L1} = \frac{D \times (V_{IN} - V_Q)}{f_s \times L_1}$$

$$\Delta I_{L2} = \frac{D \times (V_{IN} - V_Q)}{f_s \times L_2}$$

Maintaining the condition  $I_L > \Delta I_L / 2$  to ensure continuous conduction mode yields the following minimum values for  $L_1$  and  $L_2$ :

$$L_1 > \frac{(1 - D) \times (V_{IN} - V_Q)}{f_s \times I_{OUT} \times 2}$$

$$L_2 > \frac{D \times (V_{IN} - V_Q)}{f_s \times I_{OUT} \times 2}$$

Peak current in the inductor, to ensure the inductor does not saturate:

$$I_{L1(PK)} = \frac{D \times I_{OUT}}{1 - D} + \frac{\Delta I_{L1}}{2}$$

$$I_{L2(PK)} = I_{OUT} + \frac{\Delta I_{L2}}{2}$$

$I_{L1(PK)}$  must be lower than the maximum current rating set by the current sense resistor.

The value of  $L_1$  can be increased above the minimum recommended value to reduce input ripple and output ripple. However, once  $\Delta I_{L1}$  is less than 20% of  $I_{L1(AVG)}$ , the benefit to output ripple is minimal.

By increasing the value of  $L_2$  above the minimum recommendation,  $\Delta I_{L2}$  can be reduced, which in turn will reduce the output ripple voltage:

$$\Delta V_{OUT} = \left( \frac{I_{OUT}}{1 - D} + \frac{\Delta I_{L2}}{2} \right) \times ESR$$

where ESR is the equivalent series resistance of the output capacitor.

If  $L_1$  and  $L_2$  are wound on the same core, then  $L_1 = L_2 = L$ . All the equations above will hold true if the inductance is replaced by  $2L$ .

### Input Capacitor Selection

Like boost structure, SEPIC has an inductor at the input. The inductor ensures that the input capacitor sees fairly low ripple currents and the capacitor should be capable of handling the input RMS current. In SEPIC application, lower values can cause impedance interactions. Therefore a good quality capacitor such as polymer tantalum, OS-con or multilayer ceramic capacitors is recommended in the range from 100  $\mu$ F to 220  $\mu$ F.

To improve the performance especially when  $V_{IN}$  is under 8V, the input RC low pass filter could be added. Refer the input capacitor selection in boost controller application for details.

### Output Capacitor Selection

The output capacitors directly affect the output



## Application Information (cont.)

ripple. Use capacitors with low ESR and ESL at the output for higher efficiency and lower ripple voltage. Surface mount tantalums, surface mount polymer electrolytic and polymer tantalum, OS-Con, or multi-layer ceramic capacitors are recommended at the output for low ripple.

### Sense Resistor Selection

The peak current through the MOSFET,  $I_{SW(PEAK)}$ , can be adjusted using the current sense resistor,  $R_{SEN}$ , to limit at certain output current.  $R_{SEN}$  can be selected using the following equation:

$$R_{SEN} = \frac{V_{SENSE} - D \times (V_{SL} + \Delta V_{SL})}{I_{SW(PEAK)}}$$

### SEPIC Capacitor Selection

The SEPIC capacitor  $C_S$  depends on the SEPIC RMS current listed below:

$$I_{SEPIC(RMS)} = \sqrt{I_{SW(RMS)}^2 + (I_{L1(PEAK)} - I_{L1(PEAK)} \Delta L_1 + \Delta L_1^2)(1-D)}$$

The voltage rating of the SEPIC capacitor must be greater than the maximum input voltage, and the AC(RMS) current flows through the capacitor is relative to the output power. The best choice are tantalum capacitors because of the high RMS current ratings relative to size. Large value of ceramic capacitors could be used, lower value capacitor will cause larger changes in voltage across the capacitor due to the higher current and results in low conversion efficiency. There exists an energy balance between SEPIC capacitor  $C_S$  and  $L_1$ . Consider the energy balance and the ripple voltage across the SEPIC capacitor, the minimum value for  $C_S$  can be given by:

$$C_S \geq L_1 \frac{I_{OUT}^2}{V_{IN} - V_{OUT}}$$

### Input Capacitor Selection

Like the boost application, the input inductor  $L_1$  causes the input current waveform is continuous and triangle. The inductor also ensures that the input capacitor seems fairly low ripple current changes. But the input capacitor shall be large enough to handle the RMS current. A good quality capacitor in range of 100 $\mu$ F to 220 $\mu$ F should be selected to prevent impedance interactions or switching noise. Just like boost operation, an RC bypass circuit shown in figure 9 is good to be placed close to IN pin to improve performance especially when  $V_{IN}$  below 8V.

### Output Capacitor Selection

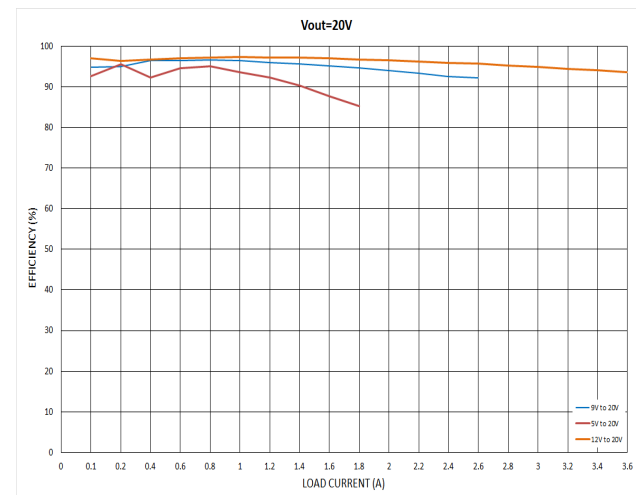
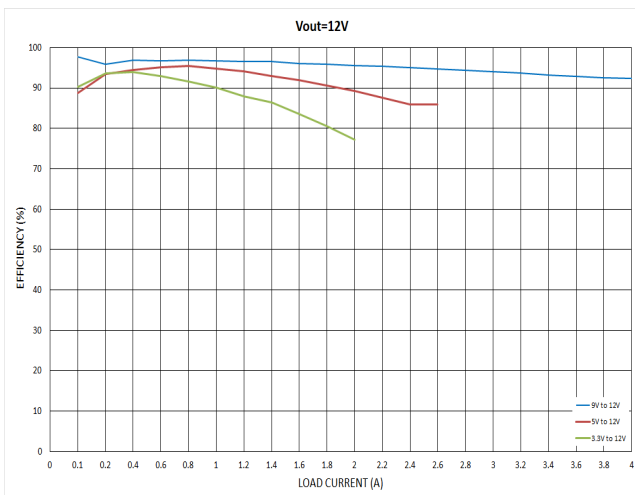
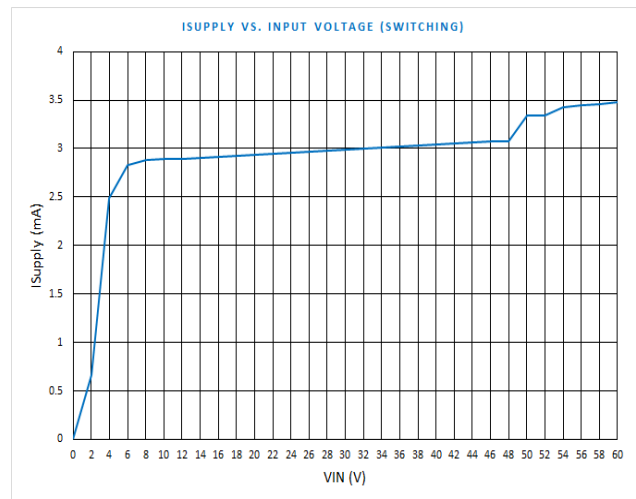
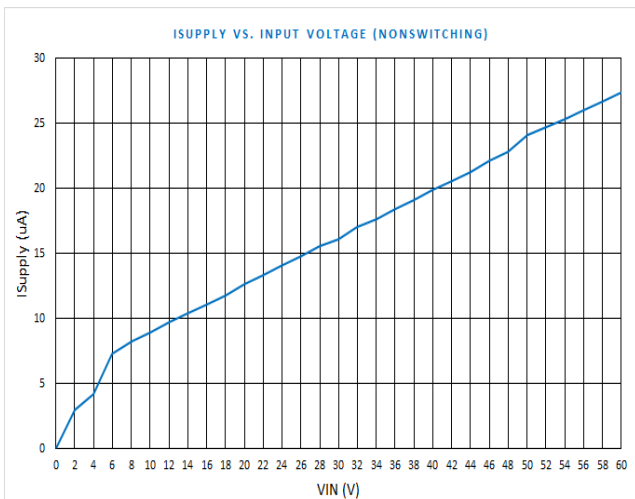
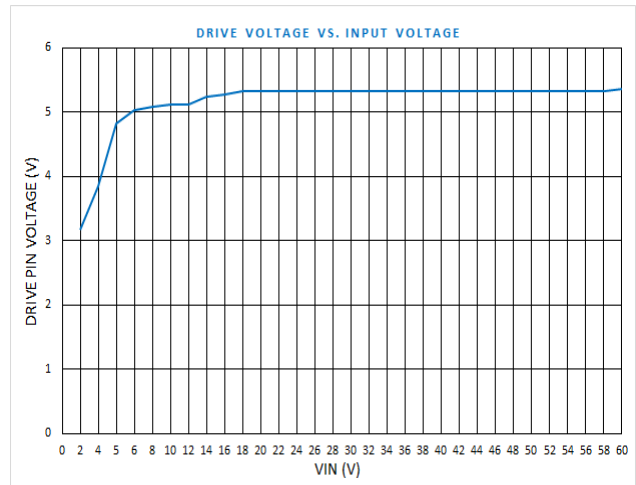
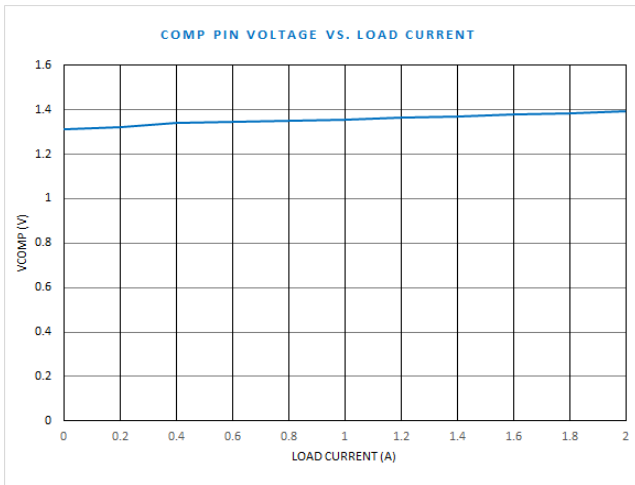
The selection of output capacitor is also like the boost operation. The output capacitor shall have the ability to handle large ripple currents. The RMS current through the output capacitor is:

$$I_{C\_OUT(RMS)} = \sqrt{\left[ I_{SW(PEAK)}^2 - I_{SW(PEAK)}(\Delta L_1 + \Delta L_1) + \frac{(\Delta L_1 + \Delta L_2)^2}{3} \right] (1-D) - I_{OUT}^2}$$

It is recommended to use low ESR and ESL capacitors at output for improving efficiency and reducing ripple voltage. Surface mount tantalums, OS-CON or multi-layer ceramic capacitors are usually chosen for better performance.

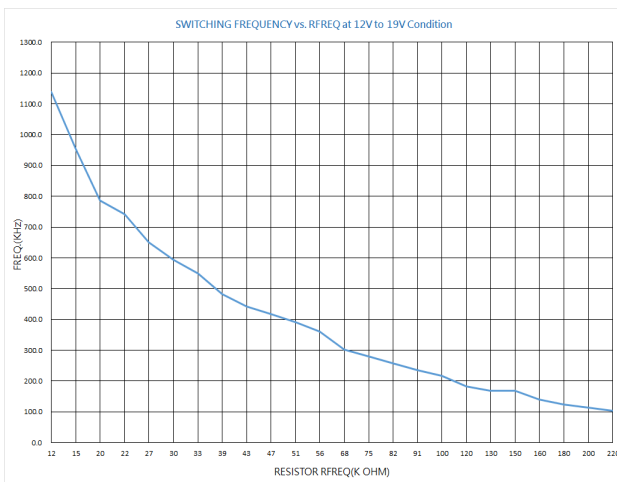
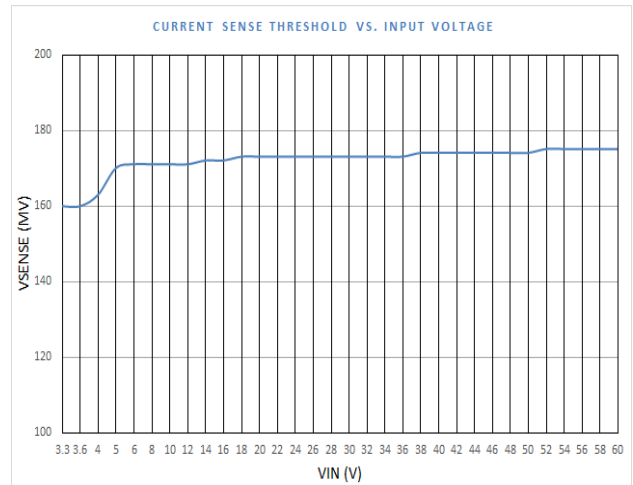
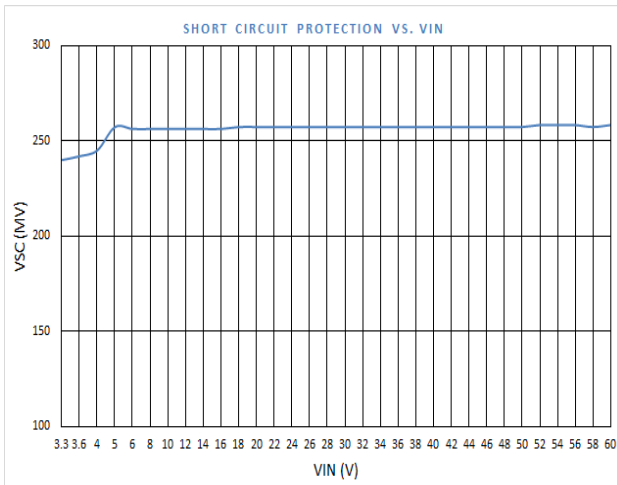
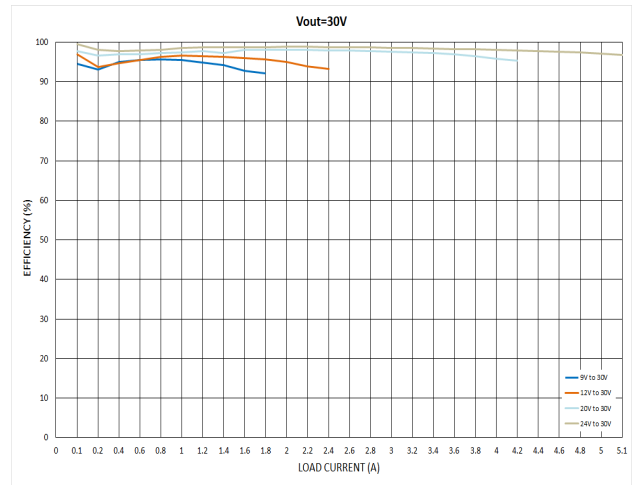
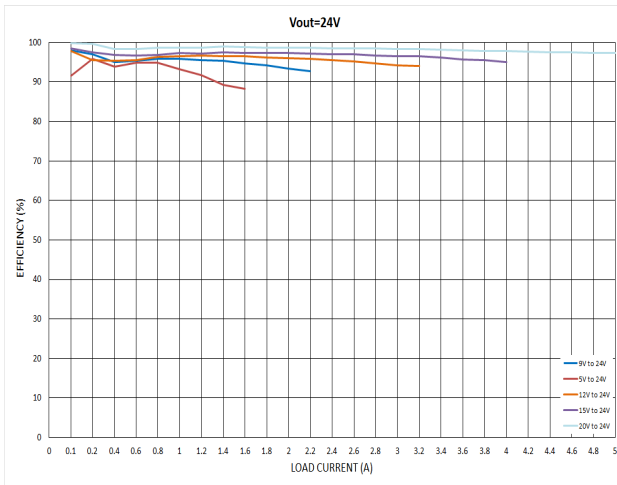


## Typical Characteristic





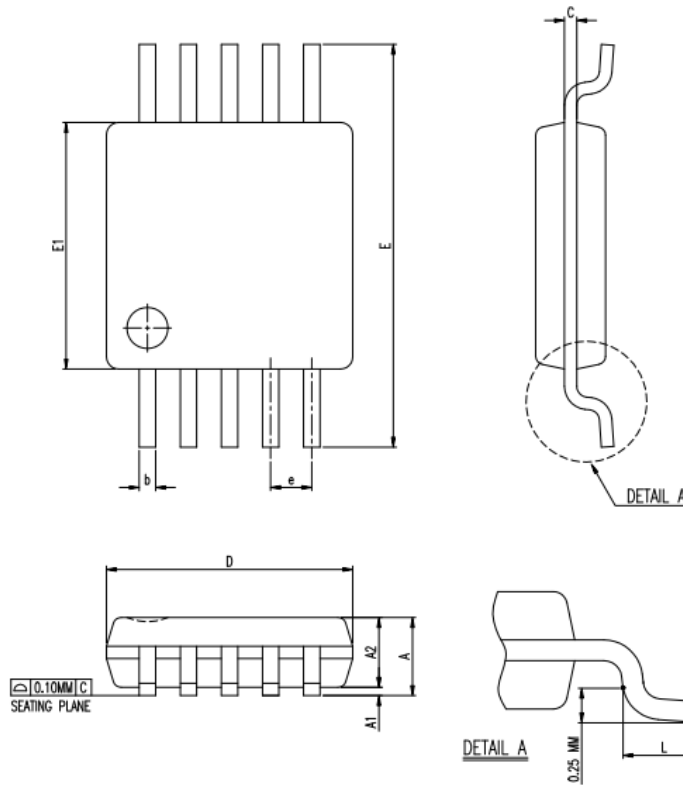
## Typical Characteristic (cont.)





## Package Information

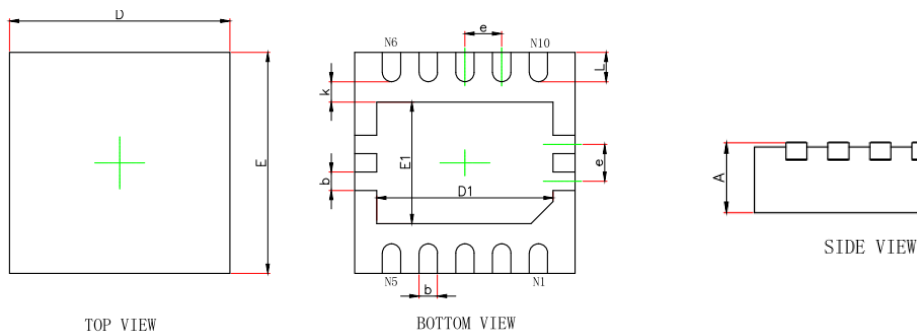
### MSOP10



SYMBOL	DIMENSION IN MM			DIMENSION IN INCH		
	MIN.	NOM.	MAX.	MIN.	NOM.	MAX.
A	0.81	1.02	1.10	0.032	0.040	0.043
A1	0.05		0.15	0.002		0.006
A2	0.75	0.86	0.95	0.030	0.034	0.037
b	0.17	0.20	0.27	0.007	0.008	0.011
C	0.13	0.15	0.23	0.005	0.006	0.009
D	2.90	3.00	3.10	0.114	0.118	0.122
E	4.75	4.90	5.05	0.187	0.193	0.199
E1	2.90	3.00	3.10	0.114	0.118	0.122
e	0.50 BASIC			0.020 BASIC		
L	0.40	0.55	0.70	0.016	0.022	0.028
θ	0°	3°	6°	0°	3°	6°
JEDEC						

\*NOTES : DIMENSION " D " DOES NOT INCLUDE MOLD FLASH ,  
TIE BAR BURRS AND GATE BURRS  
MOLD FLASH , TIE BAR BURRS AND GATE BURRS SHALL NOT  
EXCEED 0.005 INCH (0.12 MM) PER END DIMENSION " E1 "  
DOES NOT INCLUDE INTERLEAD FLASH.  
INTERLEAD FLASH SHALL NOT EXCEED 0.010 INCH (0.25 MM)  
PER SIDE .

### TDFN10

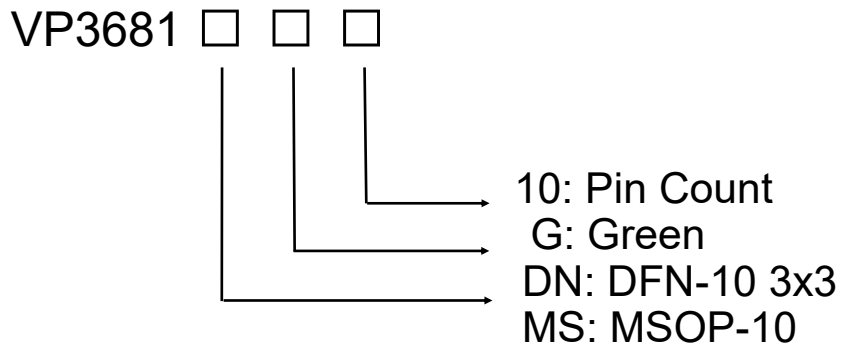


Symbol	Dimensions In Millimeters		Dimensions In Inches	
	Min.	Max.	Min.	Max.
A	0.700/0.800	0.800/0.900	0.028/0.031	0.031/0.035
A1	0.000	0.050	0.000	0.002
A3	0.203REF.		0.008REF.	
D	2.924	3.076	0.115	0.121
E	2.924	3.076	0.115	0.121
D1	2.300	2.500	0.091	0.098
E1	1.550	1.750	0.061	0.069
k	0.200MIN.		0.008MIN.	
b	0.200	0.300	0.008	0.012
e	0.500TYP.		0.020TYP.	
L	0.324	0.476	0.013	0.019





## Ordering Information



Part No.	Q`ty/Reel
VP3681DNG10	2,500
VP3681MSG10	2,500

## Contact Information

### Viva Electronics Incorporated

10F-1, No. 32, Gaotie 2<sup>nd</sup> Rd., Zhubei City, Hsinchu County, Taiwan, R.O.C.

Tel: 886-3-6579508

Fax: 886-3-6579509

WWW: <http://www.viva-elec.com.tw>

Sales: [sales@viva-elec.com.tw](mailto:sales@viva-elec.com.tw)

FAE Support: [fae@viva-elec.com.tw](mailto:fae@viva-elec.com.tw)