

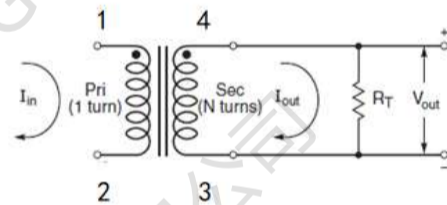
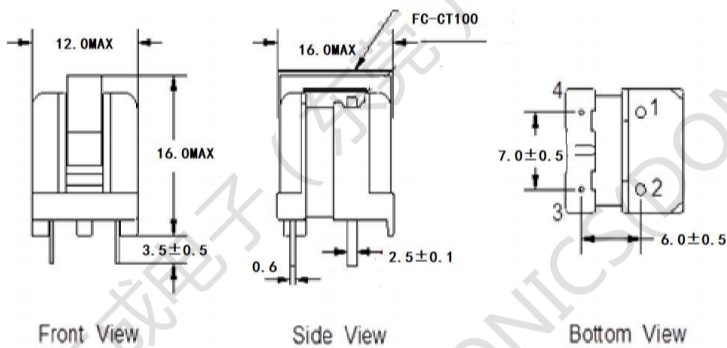
FC-CT9825-40A- Series Current Sense Transformers

Applications

- Sensed current up to 40 A; Designed for frequency range
- up to 1 KHz and above. Very low primary DC resistance
- 2500 Vrms, one minute isolation (hipot) between windings
- Core material Ferrite
- Operating temperature: $-40\text{ }^{\circ}\text{C}$ to $+125\text{ }^{\circ}\text{C}$
- Application in DC circuit current sampling

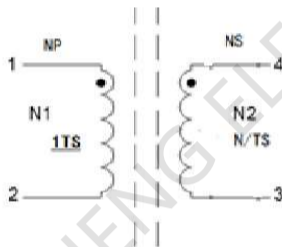


1. Dimensions: [mm]

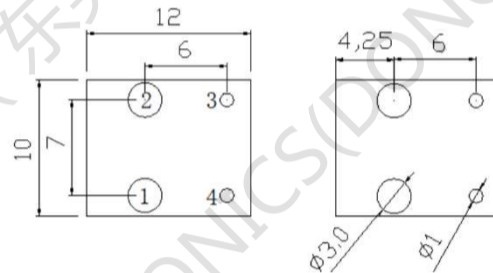


Application in DC circuit current sampling

2.Schematic:



3. Recommended Land Pattern: mm



4. ELECTRIC CHARACTERISTICS

Part Number	Turns Ration	Inductance min.(mH)	NP-NS V(DC)	DCR (MAX)		Sensed DC-Current I (A)
				Primary mΩ	Secondary Ω	
FC-CT9825-100T-40A	1:100	10.0	2500	0.8	1.5	40
FC-CT9825-200T-40A	1:200	40.0	2500	0.8	5.0	40

Remark:

<1>Inductance: 1KHz 0.25V Test condition: $T_a = 25\text{ }^{\circ}\text{C}$

Application in DC circuit current sampling