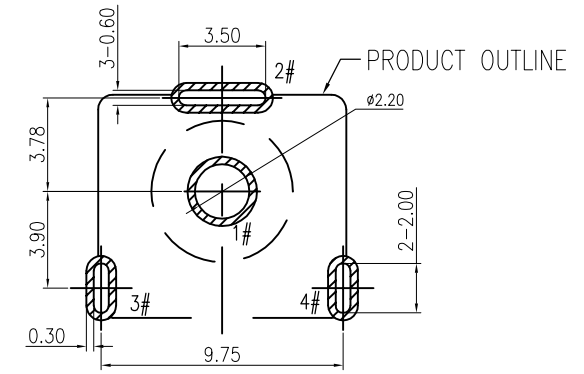
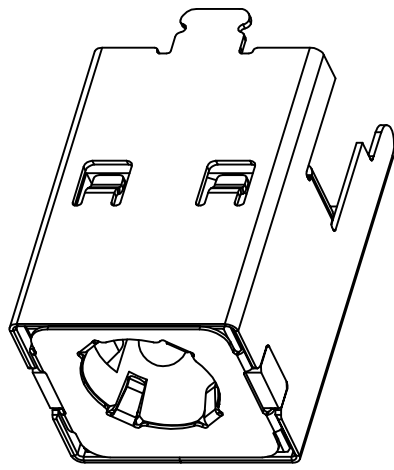
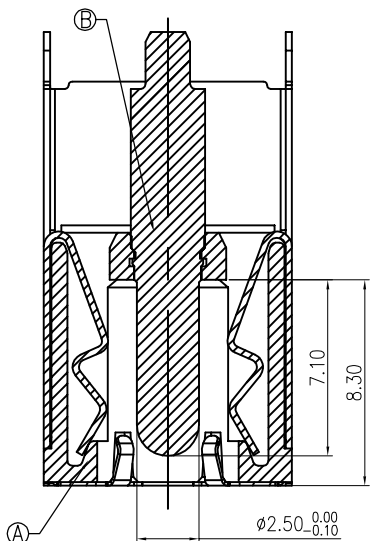
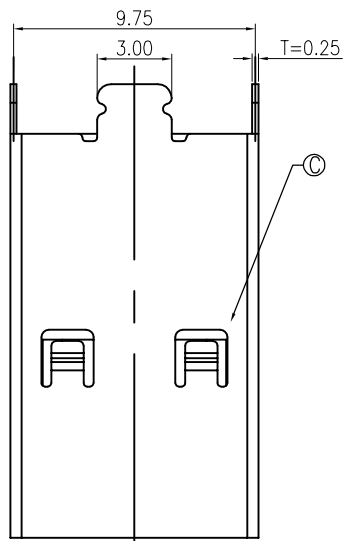
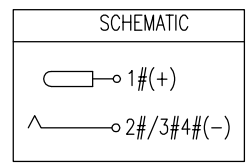
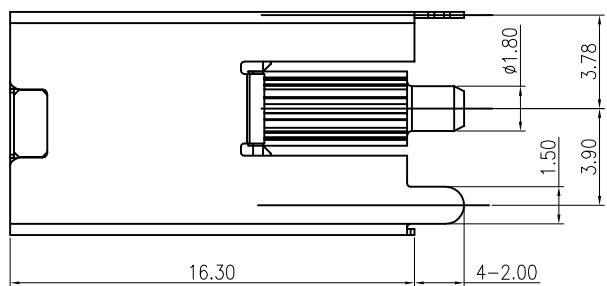
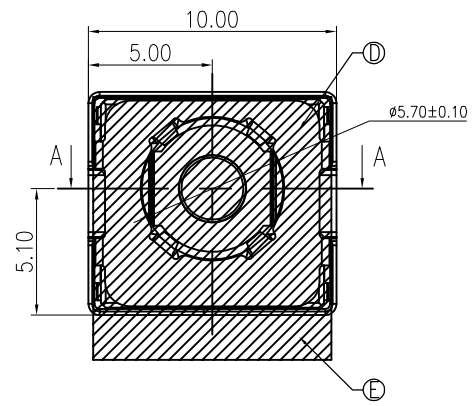


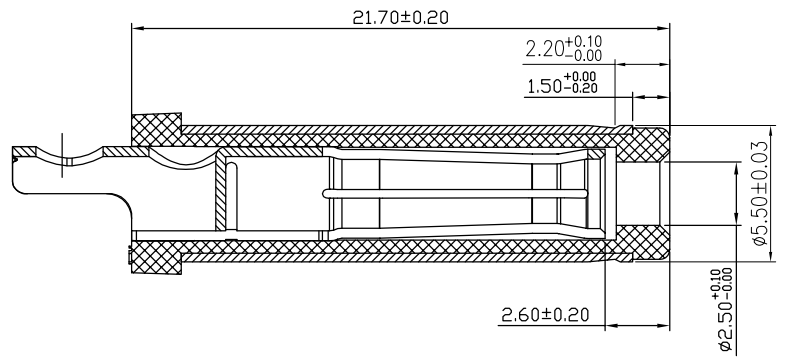
修 订	标 记	修 改 描 要	签 名	日 期
REV	NO	NEW DWG	SIGNATURE	DATE
				2016-03-12



RECOMMENDED PCB LAYOUT
TOP VIEW TOLERANCE: ±0.05



- SPECIFICATION:
- RATING: DC 20V 20A
 - CONTACT RESISTANCE:
30mΩ MAX.(INITIAL)
50mΩ MAX.(FINAL)
 - INSULATION RESISTANCE: 100 MΩ MIN.
 - WITHSTAND VOLTAGE: 500 VAC
 - INSERTION FORCE: 3N~30N
 - EXTRACTION FORCE: 3N~30N
 - DURABILITY: 5,000 CYCLES



MATING PLUG
DP550250-0188-6H

NO.	DESCRIPTION	MATERIAL	REMARKS	QTY
E	MYLAR			1
D	GROUND	SUS 304		1
C	SHELL	COPPER ALLOY	Ni 40u" MIN.	1
B	CENTER PIN	BRASS	GOLD FLASH/Ni 40u" MIN.	1
A	HOUSING	HIGH TEMP.THERMOPLASTIC	BLACK	1



深圳市华德共创科技有限公司
Shenzhen Huade co-create Technology Co.,LTD
电话: 0755-23304126 传真: 0755-29940187

-TOLERANCES- UNLESS OTHERWISE SPECIFIED 公差参数表		TITLE: DC Power Jack 5525 大电流20A, 直 产品名称: 立式, 高可靠 H=16.3	
X.X ±0.30	X.X* ±3°	APPD: 核准:	PART NO: 产品编号: DC550250-1079-2H
X.XX ±0.20	X.XX* ±2°	CHECK: 校对: 王建业	DATE
X.XXX ±0.10	X.XXX* ±1°	DRAW: 绘图: 黄艳兰	SCALE
			UNIT
			CODE NUMBER
		2016-03-12	1:1
			mm
			A001