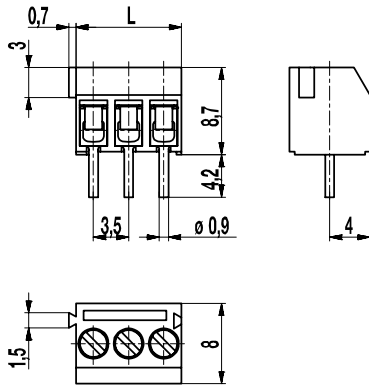


PCB connector

938-T(-DS)

Screw connection, large conductor space, interlocking



Series 938 Mini PCB connectors are designed with a pitch of 3.5 mm. Lateral locking elements allow mounting them in any required pole configuration while maintaining the pitch. All designs come with captive screws. For designs with wire protection also flexible wires up to 1.5 mm² can be connected.

Part Numbers

No. of poles	938-T	938-T-DS	Length	Pcs
2	10.870.002	20.870.002	7,00	250
3	10.870.003	20.870.003	10,50	250

General Information

Pitch	3,5 mm
No. of poles	2 + 3



Technical Data

Clamping Range	<i>solid / flexible / AWG</i>		
<i>without wire protector</i>	0,75 - 1,5 mm ² / 0,75 - 1,5 mm ² / 18 - 16 AWG		
<i>with wire protector</i>	0,34 - 1,5 mm ² / 0,34 - 1,5 mm ² / 22 - 16 AWG		
Rated Cross Section	1 mm ²		
Wire Stripping Length	6 mm ± 0,5 mm		
Overvoltage Category	III	III	II
Pollution Severity Level	3	2	2
Rated Voltage	160 V	160 V	320 V
Rated Impulse Voltage	2,5 kV	2,5 kV	2,5 kV
Rated Insulation Voltage	130 V acc. to EN 60998-1		
Rated Current	13,5 A		
Hole in PCB	ø 1,2 mm		
Torque	0,2 Nm		

Material

Moulding	PA, grey, V-0
Comparative Tracking Index	CTI ≥ 600
Insulating Group	I
Temperature Range	-40°C up to 100°C
Terminal Body	Tin plated brass
Screw	M2, zinc plated steel, blue passivated
Solder pin	ø 0,9 mm; tin plated brass
Wire protector	German silver

Approvals

	Current	Voltage	Group	AWG	Nm
	10	300	B	26 - 16	0,23
	10	300	D	26 - 16	0,2

Options / Accessories

- Consecutive numbering
- Special marking according to drawing
- Self-adhesive marking strip BST-3,50
- Pitch of 7 mm for larger clearance and creepage distances