



This document has been made public and no NDA is needed.

The "Confidential" statement in the attached material is no longer valid and may be disregarded.

This document falls into one of these categories:

- 1. Document has MaxLinear branding**

The "MaxLinear Confidential" statement will be removed from the document upon its next revision

- 2. Document has non-MaxLinear branding**

In 2020, MaxLinear acquired the Connected Home Division business of Intel Corporation, including the former Intel® product/s referenced in the title of the attached material. The MaxLinear logo will be added to the attached material upon its next revision.

MaxLinear is now the manufacturer of this product.

Direct any questions and product support requests to your MaxLinear sales contact, [MaxLinear Sales Representative or Distributor](#), or login to your myMxL account and [create a new support ticket](#).



Corporate Headquarters:
5966 La Place Court
Suite 100
Carlsbad, CA 92008
Tel.: +1 (760) 692-0711
Fax: +1 (760) 444-8598
www.maxlinear.com

The content of this document is furnished for informational use only, is subject to change without notice, and should not be construed as a commitment by MaxLinear, Inc. MaxLinear, Inc. assumes no responsibility or liability for any errors or inaccuracies that may appear in the informational content contained in this guide. Complying with all applicable copyright laws is the responsibility of the user. Without limiting the rights under copyright, no part of this document may be reproduced into, stored in, or introduced into a retrieval system, or transmitted in any form or by any means (electronic, mechanical, photocopying, recording, or otherwise), or for any purpose, without the express written permission of MaxLinear, Inc.

MaxLinear, Inc. does not recommend the use of any of its products in life support applications where the failure or malfunction of the product can reasonably be expected to cause failure of the life support system or to significantly affect its safety or effectiveness. Products are not authorized for use in such applications unless MaxLinear, Inc. receives, in writing, assurances to its satisfaction that: (a) the risk of injury or damage has been minimized; (b) the user assumes all such risks; (c) potential liability of MaxLinear, Inc. is adequately protected under the circumstances.

MaxLinear, Inc. may have patents, patent applications, trademarks, copyrights, or other intellectual property rights covering subject matter in this document. Except as expressly provided in any written license agreement from MaxLinear, Inc., the furnishing of this document does not give you any license to these patents, trademarks, copyrights, or other intellectual property.

MaxLinear, the MaxLinear logo, and any MaxLinear trademarks, MxL, Full-Spectrum Capture, FSC, G.now, AirPHY, Puma, AnyWAN and the MaxLinear logo are all on the products sold, are all trademarks of MaxLinear, Inc. or one of MaxLinear's subsidiaries in the U.S.A. and other countries. All rights reserved. Other company trademarks and product names appearing herein are the property of their respective owners.



Ethernet Network Connection

GPY111 (PEF7071VV16)

Hardware Description

MaxLinear Confidential

Revision 1.5, 2021-05-05

Reference ID 618152

Legal Notice

The content of this document is furnished for informational use only, is subject to change without notice, and should not be construed as a commitment by MaxLinear, Inc. MaxLinear, Inc. assumes no responsibility or liability for any errors or inaccuracies that may appear in the informational content contained in this guide. Complying with all applicable copyright laws is the responsibility of the user. Without limiting the rights under copyright, no part of this document may be reproduced into, stored in, or introduced into a retrieval system, or transmitted in any form or by any means (electronic, mechanical, photocopying, recording, or otherwise), or for any purpose, without the express written permission of MaxLinear, Inc.

MaxLinear, Inc. does not recommend the use of any of its products in life support applications where the failure or malfunction of the product can reasonably be expected to cause failure of the life support system or to significantly affect its safety or effectiveness. Products are not authorized for use in such applications unless MaxLinear, Inc. receives, in writing, assurances to its satisfaction that: (a) the risk of injury or damage has been minimized; (b) the user assumes all such risks; (c) potential liability of MaxLinear, Inc. is adequately protected under the circumstances.

MaxLinear, Inc. may have patents, patent applications, trademarks, copyrights, or other intellectual property rights covering subject matter in this document. Except as expressly provided in any written license agreement from MaxLinear, Inc., the furnishing of this document does not give you any license to these patents, trademarks, copyrights, or other intellectual property.

MaxLinear, the MaxLinear logo, any MaxLinear trademarks (MxL, Full-Spectrum Capture, FSC, G.now, AirPHY, Puma, and AnyWAN), and the MaxLinear logo on the products sold are all property of MaxLinear, Inc. or one of MaxLinear's subsidiaries in the U.S.A. and other countries. All rights reserved.

*Other company trademarks and product names appearing herein are the property of their respective owners.

© 2021 MaxLinear, Inc. All rights reserved.

MaxLinear, Inc.
5966 La Place Court, Suite 100
Carlsbad, CA 92008
Tel.: +1 (760) 692-0711
Fax: +1 (760) 444-8598
www.maxlinear.com



Revision History

Current: Revision 1.5, 2021-05-05

Previous: Revision 1.4, 2018-08-29

Page	Major changes since previous revision
All	This document was rebranded from Intel to MaxLinear, including the logo and Legal Notice page. All product names were rebranded by removing Intel® from the names.
181	Chapter 7.2 Chip Identification and Ordering Information updated, including MMID added to Table 74 .

Table of Contents

	Table of Contents	4
	List of Figures	8
	List of Tables	10
1	Introduction	12
1.1	About Ethernet Network Connection GPY111	12
1.2	Overview	13
1.2.1	Logic Symbol	13
1.2.2	Features	14
1.2.3	Typical Applications	15
1.2.3.1	Copper Application	15
1.2.3.2	Media Converter Application	15
1.2.3.3	Gigabit Interface Converter (GBIC) Application	15
1.2.4	Terminology and Nomenclature	16
2	External Signals	17
2.1	Pin Diagram	17
2.2	Pin Description	18
2.2.1	Pin Identifications	18
2.2.2	General Pins	19
2.2.3	Media-Dependent Interface (MDI) Pins	20
2.2.4	Media-Independent Interface (MII) Pins	21
2.2.5	Control Interface Pins	26
2.2.6	JTAG Interface	27
2.2.7	Power Supply Pins	28
3	Functional Description	29
3.1	Modes of Operation	29
3.1.1	Copper Flow	30
3.1.2	Media Converter Flow	30
3.2	Media-Independent Interfaces (MII)	30
3.2.1	X-speed Media-Independent Interface (xMII)	30
3.2.1.1	xMII Signal Multiplexing	30
3.2.1.2	xMII Signal Conditioning	31
3.2.2	Reduced Media-Independent Interface (RMII)	32
3.2.3	Reduced Gigabit Media-Independent Interface (RGMII)	32
3.2.4	Serial Gigabit Media-Independent Interface (SGMII)	35
3.3	Media Functions	36
3.3.1	Media-Dependent Interfaces (MDI)	36
3.3.1.1	Copper Interface	36
3.3.1.2	Fiber Interface	37
3.3.2	Auto-Negotiation	37
3.3.3	Auto-Downspeed	38
3.3.4	Auto-Crossover and Polarity-Reversal Correction	38
3.4	Configuration, Control and Status Functions	39
3.4.1	Configuration of GPY111 via Pin-Strapping	41
3.4.2	Configuration of GPY111 via External EEPROM	46
3.4.2.1	EEPROM Applications	46
3.4.2.2	EEPROM Detection	46
3.4.2.3	EEPROM Content	47

Table of Contents

3.4.2.4	EEPROM Frame Formats	48
3.4.2.4.1	Frame Formats in 11-Bit Addressing Mode	48
3.4.2.4.2	Frame Formats in 16-Bit Addressing Mode	50
3.4.2.4.3	EEPROM Access via MDIO	52
3.4.3	Configuration and Control Via MDIO	55
3.4.3.1	MDIO Interface	55
3.4.3.2	MDIO Address Space	56
3.4.3.3	MDIO Interrupt	58
3.4.4	LED Interface	59
3.4.4.1	Single Color LED Mode	59
3.4.4.2	Bi-Color LED Mode	60
3.4.4.3	LED Operations	61
3.4.4.3.1	LED Externally Controlled Mode (ECM)	61
3.4.4.3.2	LED Functions in Internally Controlled Mode (ICM)	61
3.4.4.3.3	LED Configuration in ICM	62
3.5	Power Management	64
3.5.1	Power Supply	64
3.5.1.1	Power Supply Using Integrated Switching Regulator	64
3.5.1.2	Power Supply Without Using Integrated Switching Regulator	65
3.5.2	Power Over Ethernet (PoE)	66
3.5.2.1	Powered Device (PD)	66
3.5.2.2	Power Sourcing Equipment (PSE)	66
3.5.3	Energy-Efficient Ethernet	67
3.5.3.1	EEE for 10BASE-T _e	67
3.5.3.2	EEE for 100BASE-TX	67
3.5.3.3	EEE for 1000BASE-T	68
3.5.3.4	Auto-Negotiation for EEE Modes	68
3.5.4	Wake-on-LAN (WoL)	68
3.5.5	Power Down Modes	71
3.5.5.1	PD_FORCE Mode	72
3.5.5.2	ANEG Mode	73
3.5.5.3	PD_IDLE Mode	73
3.5.5.4	DATA Mode	73
3.5.5.5	EEE Mode	73
3.6	Testing Functions	74
3.6.1	JTAG Interface	74
3.6.2	Payload Data Tests	75
3.6.2.1	Test Packet Generator (TPG)	75
3.6.2.2	Error Counters	76
3.6.3	Test Loops	76
3.6.3.1	Near-End Test Loops	76
3.6.3.1.1	MAC Interface Test Loop	76
3.6.3.1.2	MDI Test Loop	77
3.6.3.1.3	Echo Test Loop	77
3.6.3.2	Far-End Test Loop	78
4	MDIO Registers	79
4.1	STD: Standard Management Registers	82
4.2	PHY: PHY-Specific Management Registers	104
5	MMD Registers	131
5.1	EEE: Standard EEE Registers for MMD=0x03	133

Table of Contents

5.2	ANEG: Standard Auto-Negotiation Registers for MMD=0x07	137
5.3	EEPROM: EEPROM Address Space (MMD=0x1E)	140
5.4	INTERNAL: Internal Address Space (MMD=0x1F)	141
6	Electrical Characteristics	153
6.1	Absolute Maximum Ratings	153
6.2	Operating Range	154
6.3	Recommended Operating Conditions	154
6.4	Power-Up Sequence	154
6.5	DC Characteristics	155
6.5.1	Digital Interfaces	155
6.5.1.1	GPIO Interfaces	155
6.5.1.2	MII Receive Interface	156
6.5.1.3	MII Transmit Interface	156
6.5.1.4	LED Interface	156
6.5.1.5	JTAG Interface	157
6.5.2	Twisted-Pair Interface	157
6.5.3	SGMII Interface	157
6.5.4	1000BASE-X Interface	157
6.6	AC Characteristics	158
6.6.1	Reset	158
6.6.2	Power Supply	159
6.6.3	Input Clock	159
6.6.4	Output Clock	160
6.6.5	MDIO Interface	160
6.6.6	RMII Interface	161
6.6.7	RGMII Interface	163
6.6.7.1	Transmit Timing Characteristics	163
6.6.7.2	Receive Timing Characteristics	164
6.6.8	SGMII Interface	166
6.6.8.1	Transmit Timing Characteristics	166
6.6.8.2	Receive Timing Characteristics	167
6.6.9	1000BASE-X Interface	168
6.6.9.1	Transmit Timing Characteristics	168
6.6.9.2	Receive Timing Characteristics	169
6.6.10	Twisted-Pair Interface	169
6.7	Power Consumption	170
6.8	Isolation Requirements	170
6.9	External Circuitry	171
6.9.1	Crystal	171
6.9.2	LED	172
6.9.3	Transformer (Magnetics)	173
6.9.4	RJ45 Plug	174
6.9.5	Twisted-Pair Common-Mode Rejection and Termination Circuitry	175
6.9.6	SGMII Interface	176
6.9.7	1000BASE-X Interface	178
6.10	JTAG Interface Timing	179
7	Package	180
7.1	Package Outline	180
7.2	Chip Identification and Ordering Information	181
7.3	Thermal Resistance	182



Table of Contents

References	183
Terminology	184

List of Figures

Figure 1	Logic Symbol of the GPY111	13
Figure 2	GPY111 Used in Copper Applications	15
Figure 3	GPY111 Used in Media Converter Applications	15
Figure 4	GPY111 Used in 10/100/1000BASE-T GBIC Application	16
Figure 5	Transmit and Receive Terminology	16
Figure 6	Pin Diagram of the GPY111 (Top View of PG-VQFN-48 Package)	17
Figure 7	Functional High-Level Block Diagram of GPY111	29
Figure 8	xMII Signal Conditioning between MAC and GPY111	32
Figure 9	Twisted-Pair Interface of GPY111 Including Transformer and RJ45 Plug	36
Figure 10	Overview of the Configuration Flow	40
Figure 11	Soft Pin-Strapping External Circuitry	41
Figure 12	Timing Diagram for a Random Address Single Byte Write	49
Figure 13	Timing Diagram for a Random Address Single Byte Read	50
Figure 14	Timing Diagram for a Burst Read	50
Figure 15	Timing Diagram for a Random Address Single Byte Write	51
Figure 16	Timing Diagram for a Random Address Single Byte Read	52
Figure 17	Timing Diagram for a Burst Read	52
Figure 18	Flow-Chart for an Indirect EEPROM Write Cycle Via MDIO-MMD Access	53
Figure 19	Flow-Chart for an Indirect EEPROM Read Cycle Via MDIO-MMD Access	54
Figure 20	MDIO Write Frame	55
Figure 21	MDIO Read Frame	55
Figure 22	Layout of the MDIO Address Space	57
Figure 23	External Circuitry for an Active-High MDINT	58
Figure 24	External Circuitry for an Active-Low MDINT	59
Figure 25	Single Color LED External Circuitry	60
Figure 26	Bi-Color LED External Circuitry	61
Figure 27	External Circuitry using the Integrated Switching Regulator	64
Figure 28	External Circuitry without using the Integrated Switching Regulator	65
Figure 29	EEE Low-Power Idle Sequence	67
Figure 30	Block Diagram of a WoL Application	69
Figure 31	The Magic Packet Format	70
Figure 32	State Diagram for Power-Down Mode Management	72
Figure 33	Test Packet Format	75
Figure 34	MAC Interface Near-End Test Loop	76
Figure 35	MDI connector Near-End Test Loop	77
Figure 36	Echo Near-End Test Loop	77
Figure 37	PCS Far-End Test Loop	78
Figure 38	Timing Diagram for the GPY111 Reset Sequence	158
Figure 39	Timing Diagram for the MDIO Interface	160
Figure 40	Transmit/Receive Timing Diagram of the RMII	161
Figure 41	Transmit Timing Diagram of the RGMII	163
Figure 42	Receive Timing Diagram of the RGMII	164
Figure 43	Transmit Timing Diagram of the SGMII	166
Figure 44	Receive Timing Diagram of the SGMII	167
Figure 45	Transmit Timing Diagram of the 1000BASE-X Interface	168
Figure 46	Receive Timing Diagram of the 1000BASE-X	169
Figure 47	Equivalent Circuit for Crystal Specification	171
Figure 48	Tolerance Graph for the Forward Current Versus Voltage of the Supported LEDs	172
Figure 49	Schematic of a Typical Gigabit Ethernet Transformer Device	173

List of Figures

Figure 50	Twisted-Pair Common-Mode Rejection and Termination Circuitry.....	175
Figure 51	External Circuitry for SGMII	176
Figure 52	Simplified External Circuitry for SGMII	177
Figure 53	External Circuitry for a 1000BASE-X Interface.....	178
Figure 54	JTAG Timing Definition.....	179
Figure 55	Package Outline Drawing of the PG-VQFN-48 Package	180
Figure 56	Chip Marking of GPY111	181

List of Tables

Table 1	Abbreviations for Pin Types	18
Table 2	Abbreviations for Buffer Types	18
Table 3	General Pins	19
Table 4	Twisted-Pair Interface Pins	20
Table 5	Media-Independent Interface Pins	21
Table 6	Control Interface Pins	26
Table 7	JTAG Interface Pins	27
Table 8	Power Supply Pins	28
Table 9	MII and MDI Combinations Supported by GPY111	29
Table 10	xMII Signal Multiplexing	30
Table 11	Operation of Various Interfaces for Different FLOW and MODE Settings	31
Table 12	Transmit Control Encoding	33
Table 13	Receive Control Encoding	33
Table 14	Supported Twisted-Pair Mappings	38
Table 15	Soft Pin-Strapping: Mapping of Pull-Down Capacitance/Resistor Values to Configuration Bits	42
Table 16	Mapping of Configuration Pins/Bits to Device Parameters (No EEPROM Connected)	42
Table 17	Functions of Device Parameters Controlled by Soft Pin-Strapping (No EEPROM Connected)	43
Table 18	Mapping of Configuration Pins/Bits to Device Parameters (EEPROM is Connected)	44
Table 19	Functions of Device Parameters controlled by Soft Pin-Strapping (EEPROM is Connected)	44
Table 20	Supported EEPROM Devices	46
Table 21	Configuration Signature Record (CSR)	47
Table 22	Configuration Content Record	48
Table 23	Address Bit Mapping in 11-Bit Addressing Mode	49
Table 24	Address Bit Mapping in 16-Bit Addressing Mode	51
Table 25	Definition of MDIO Frame Components	56
Table 26	MDIO Indirect MMD Device Address Overview	58
Table 27	Direct LED Functions	62
Table 28	Complex LED Functions	62
Table 29	Switching Regulator External Component Values	65
Table 30	Programming Sequence for the Wake-On-LAN Functionality	70
Table 31	JTAG TAP Controller Op-Codes	74
Table 32	JTAG Boundary Scan ID	74
Table 33	Registers Address Space	79
Table 34	Registers Overview	79
Table 35	Register Access Types	81
Table 36	Registers Address Space	131
Table 37	Registers Overview	131
Table 38	Register Access Types	132
Table 39	Similar Registers	146
Table 40	Similar Registers	148
Table 41	Similar Registers	151
Table 42	Similar Registers	152
Table 43	Absolute Limit Ratings	153
Table 44	Operating Range	154
Table 45	DC Characteristics of the GPIO Interfaces (VDDP = 2.5 V)	155
Table 46	DC Characteristics of the GPIO Interfaces (VDDP = 3.3 V)	155
Table 47	DC Characteristics of the Receive MII Interface	156
Table 48	DC Characteristics of the Transmit MII Interface	156
Table 49	DC Characteristics of the Transmit LED Interface	156

List of Tables

Table 50	DC Characteristics of the JTAG Interface (VDDH = 2.5 V)	157
Table 51	DC Characteristics of the JTAG Interface (VDDH = 3.3 V)	157
Table 52	AC Characteristics of the RSTN Pin	159
Table 53	AC Characteristics of the Power Supply	159
Table 54	AC Characteristics of Input Clock on XTAL1 Pin	159
Table 55	AC Characteristics of Output Clock on CLKOUT Pin	160
Table 56	AC Characteristics of the MDIO Interface	161
Table 57	Timing Characteristics of the RMII at 10/100 Mbit/s	162
Table 58	Transmit Timing Characteristics of the RGMII	163
Table 59	Receive Timing Characteristics of the RGMII	164
Table 60	Transmit Timing Characteristics of the SGMII	166
Table 61	Receive Timing Characteristics of the SGMII	167
Table 62	Transmit Timing Characteristics of the 1000BASE-X Interface	168
Table 63	Receive Timing Characteristics of the 1000BASE-X	169
Table 64	Power Consumption with VDDH and VDDP Set to 2.5 V, VDDC and VDDL Set to 1.0 V	170
Table 65	Electrical Characteristics for Supported Crystals	171
Table 66	Electrical Characteristics for Supported LEDs	172
Table 67	Electrical Characteristics for Supported Transformers (Magnetics)	173
Table 68	Electrical Characteristics for Supported RJ45 Plugs	174
Table 69	Electrical Characteristics for supported Transformers (Magnetics)	175
Table 70	Electrical Characteristics for the SGMII External Components	176
Table 71	Electrical Characteristics for the 1000BASE-X External Components	178
Table 72	JTAG Interface Timing	179
Table 73	Chip Marking Pattern	181
Table 74	Chip Ordering Information	181
Table 75	Thermal Resistance of the PG-VQFN-48 Package	182

1 Introduction

This document specifies the functionality of Ethernet Network Connection GPY111 Gigabit Ethernet (GbE) transceiver integrated circuit. It describes all aspects required for the development of systems based on Ethernet PHY technology.

1.1 About Ethernet Network Connection GPY111

The GPY111 is an ultra-low power, multi-mode Gigabit Ethernet (GbE) PHY IC, supporting speeds of 10, 100 and 1000 Mbit/s in full-duplex or half-duplex mode. It can be used in various data flows based on twisted-pair and fiber-optic communication links. The main application is the copper mode, where Media-Independent Interface (MII) data is converted to a Media-Dependent Interface (MDI) based on the 10BASE-T(e), 100BASE-TX and 1000BASE-T Ethernet standards according to [1].

The GPY111 supports a number of features for convenience and reliability, including auto-negotiation (**Chapter 3.3.2**), auto-MDIX, auto-downspeed (**Chapter 3.3.3**) and cable wiring fault correction. In addition, the integrated cable diagnostics mode, the test packet generator, and the various test loops can be used for analysis and debugging of the target system. The GPY111 includes an integrated serializer/deserializer (SerDes) that can be used to operate a fiber link in conjunction with a 1000BASE-X fiber module. This capability enables media-converter data flow applications.

The MII pins of the GPY111 can be re-assigned to form one of several standard MII interfaces such as RMII, RGMII and SGMII. In RGMII mode, the integrated delay function for the TX and RX clock simplifies PCB design. In SGMII mode, the PHY does not require a receive clock and instead uses the integrated Clock and Data Recovery (CDR).

Configuration management of the GPY111 can be done using its MDIO interface. Alternatively, the device can be pre-configured by means of an external I²C-based EEPROM. Basic settings can be made using the novel soft pin-strapping feature available for the LED pins (see **Chapter 3.4.1**). The device also integrates a standard Test Access Port (TAP) for boundary scan.

The GPY111 is encased in the industry's smallest package (PG-VQFN-48) for a GbE PHY device with a given feature set and considering the level of integration. It therefore provides an ideal solution for footprint-sensitive applications such as SFP copper modules or LAN-on-Motherboard. Furthermore, the GPY111 design supports a reduced external bill of materials, for example through the integration of termination resistances at both the MDI and MII. The CLKOUT pin can optionally be used to provide a 25 MHz reference clock, allowing for multiple PHY devices to be cascaded while using only one crystal.

With an effectiveness of more than 80%, the GPY111 is tailored for energy efficiency. It can be operated from a single power supply ranging from 2.5 V to 3.3 V, in which case the 1.0 V domains are self-supplied using the device's integrated DC/DC switching regulator. By supporting the Energy-Efficient Ethernet (EEE) standard as defined in the IEEE 802.3az standard ([2]), the PHY is able to reduce active power consumption during periods of low link utilization, to a small fraction of the nominal consumption. Through implementation of a voltage mode line-driver, the active nominal power of the device is significantly reduced when compared to other devices of the same kind. Additionally, this line-driver technology does not require any center tap supply at the magnetics. This further simplifies the magnetics as there is now no need to use common-mode chokes.

The GPY111 supports further power savings at system level by means of the integrated Wake-on-LAN (WoL) feature. This mode can be activated at all Ethernet speeds. A WoL event is indicated to the SoC via an interrupt pin. It is possible to configure the polarity and functionality of this interrupt. Various events may be indicated via this interrupt, so as to reduce the need for MDIO polling by the SoC.

The GPY111 provides a set of 3 freely-configurable LED pins. Although LEDs can also be directly driven by the SoC (for example a network processor) via MDIO registers, the built-in functionality covers application needs such as bi-color LED support, configurable blinking frequencies, and configurable multiple-function assignment per LED.

1.2 Overview

This section gives an overview of the features and capabilities of the GPY111 (PEF7071VV16).

1.2.1 Logic Symbol

Figure 1 shows the logic symbol of the Ethernet Network Connection GPY111.

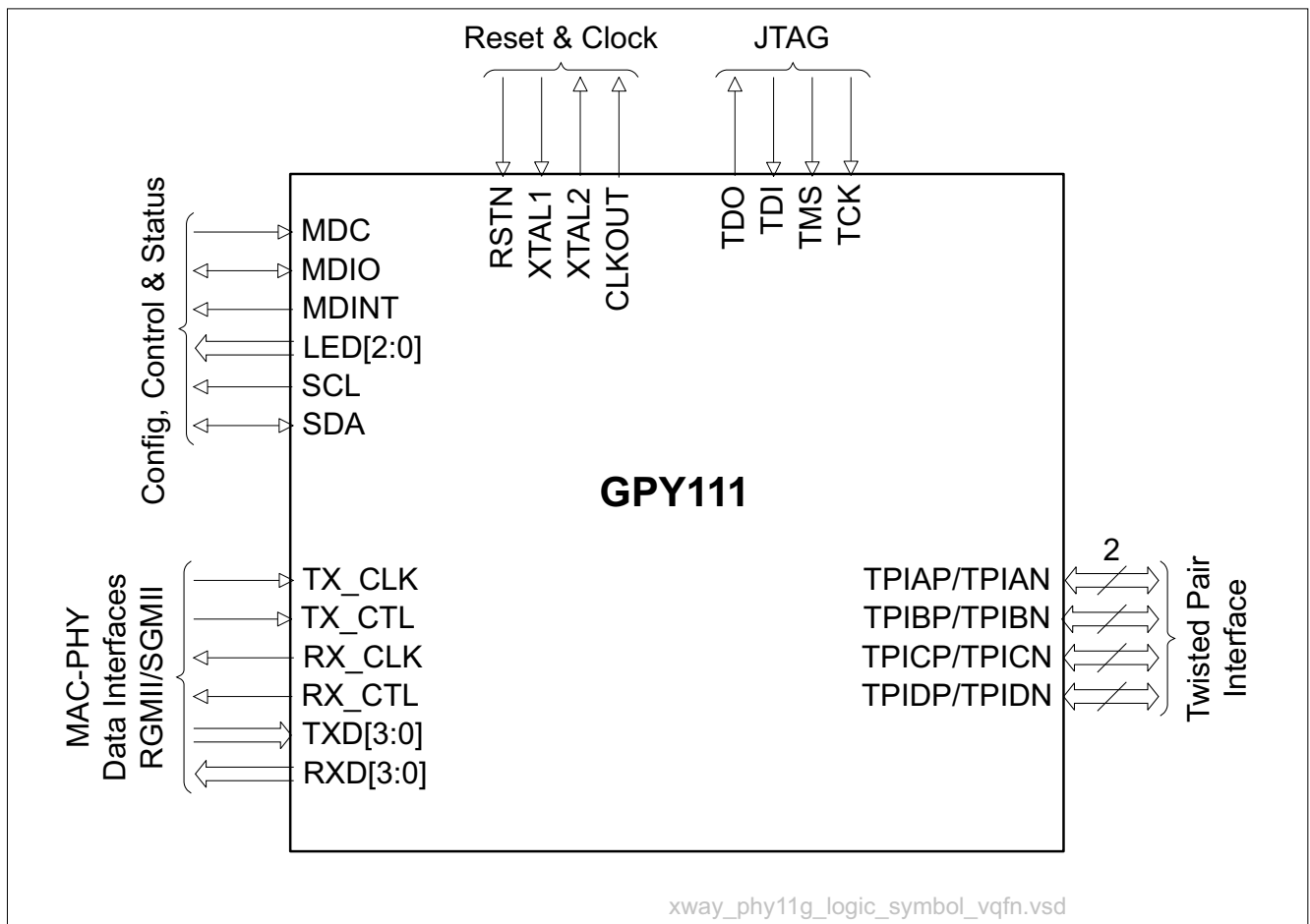


Figure 1 Logic Symbol of the GPY111

1.2.2 Features

This section outlines the features of the GPY111 (PEF7071VV16).

General:

- Flexible power supply: $V_{DDH} = 2.5\text{ V} \dots 3.3\text{ V}$
- Single power supply optionally using the integrated DC/DC converter
- Low power consumption of 400 mW in Gigabit Ethernet mode
- Configurable startup mode using sophisticated pin-strappings
- Flexible architecture using an integrated device controller

Interfaces:

- Twisted-pair interface:
 - 10BASE-T(e), 100BASE-TX, 1000BASE-T¹⁾
- Data interfaces (xMII1):
 - RMII
 - RGMII
 - SGMII /1000BASE-X SerDes at 1.25 Gbaud
 - Jumbo packets of up to 10 kB
- Control interfaces:
 - MDIO
 - JTAG interface for boundary scan
 - Support of stand-alone operational mode using EEPROM interface (I²C)
- Clocking:
 - Support of 25 MHz and 125 MHz input clock
 - Support of 25 MHz crystal using integrated oscillator
 - 25 MHz clock output

Ethernet:

- Auto-negotiation with next-page support
- Wake-on-LAN support
- Auto-downspeed
- Support of auto-MDIX at all copper media speeds
- Support of auto polarity-correction at all copper media speeds
- Various test features:
 - Test loops
 - Dummy frame generation and frame error counters
 - Analog self-test
- Cable diagnostics:
 - Cable open/short detection
 - Cable length estimation

External circuitry optimization:

- Integrated termination resistors at twisted-pair interface
- Integrated termination resistors at RGMII
- Support of low-cost transformers (magnetics)
- Support of low-cost crystal

1) 10BASE-T operation is only standard-conform at $V_{DDH} = 3.3\text{ V}$. This limitation does not apply to 10BASE-Te Ethernet.

1.2.3 Typical Applications

This section introduces typical applications of the GPY111, sorted according to the medium type used in the application.

1.2.3.1 Copper Application

In applications using the copper medium, the GPY111 is used to connect a 10/100/1000BASE-T capable MAC unit to a twisted-pair medium, such as a CAT5 cable infrastructure. The connection between MAC and PHY can be established using one of the supported xMII interface types: RGMII or SGMII.

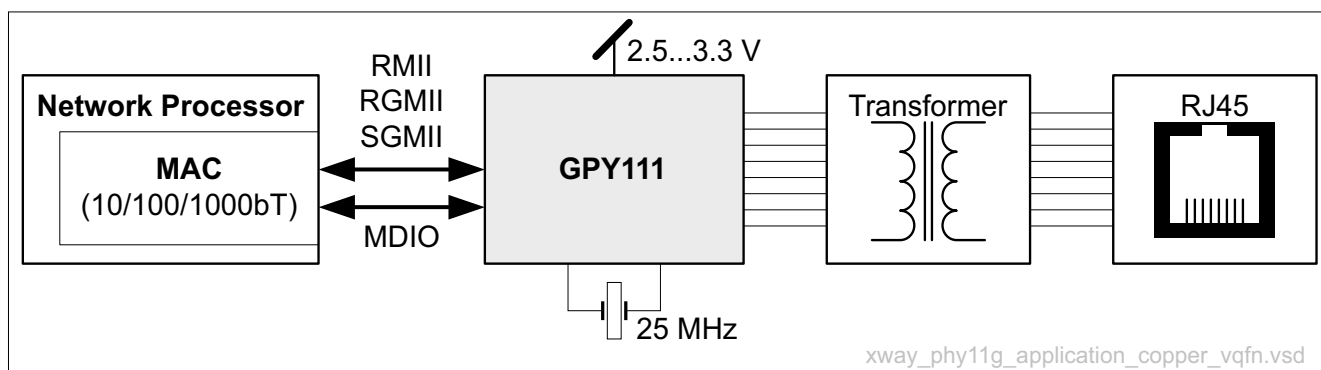


Figure 2 GPY111 Used in Copper Applications

1.2.3.2 Media Converter Application

In media converter applications, the PHY is used to interface between fiber and copper media. The fiber medium can be connected using a fiber or SFP module, which is connected via a 1000BASE-X interface. The copper medium is connected via a twisted-pair interface (RJ45), using a transformer for galvanic de-coupling. Only one instance of the GPY111 device is required to address this application. Stand-alone operation is possible using the EEPROM (see [Chapter 3.4.2](#)) self-configuration capability.

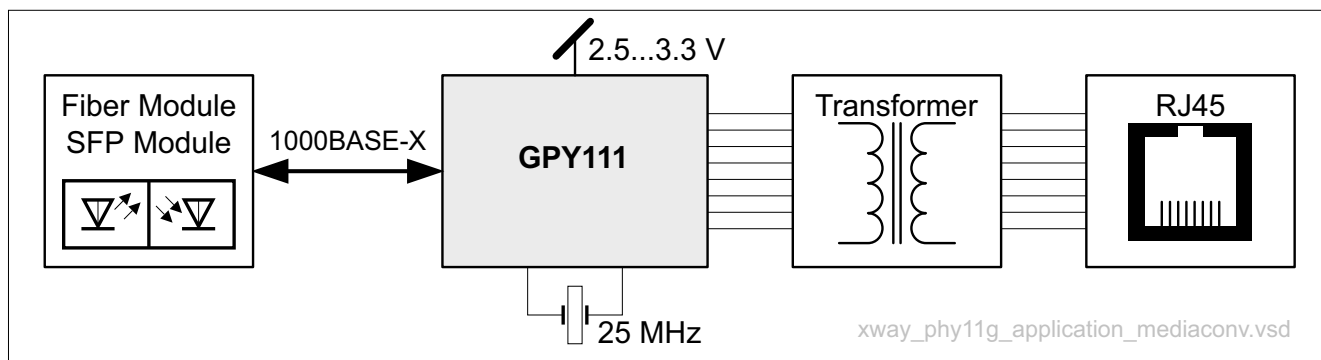


Figure 3 GPY111 Used in Media Converter Applications

1.2.3.3 Gigabit Interface Converter (GBIC) Application

The GBIC [12] application is used to support a 10/100/1000BASE-T GBIC module implementation, as illustrated in [Figure 4](#). The MDIO interface of the GPY111 device is now not available, but an EEPROM can optionally be used to upload customer-specific configuration settings (see [Chapter 3.4.2](#)).

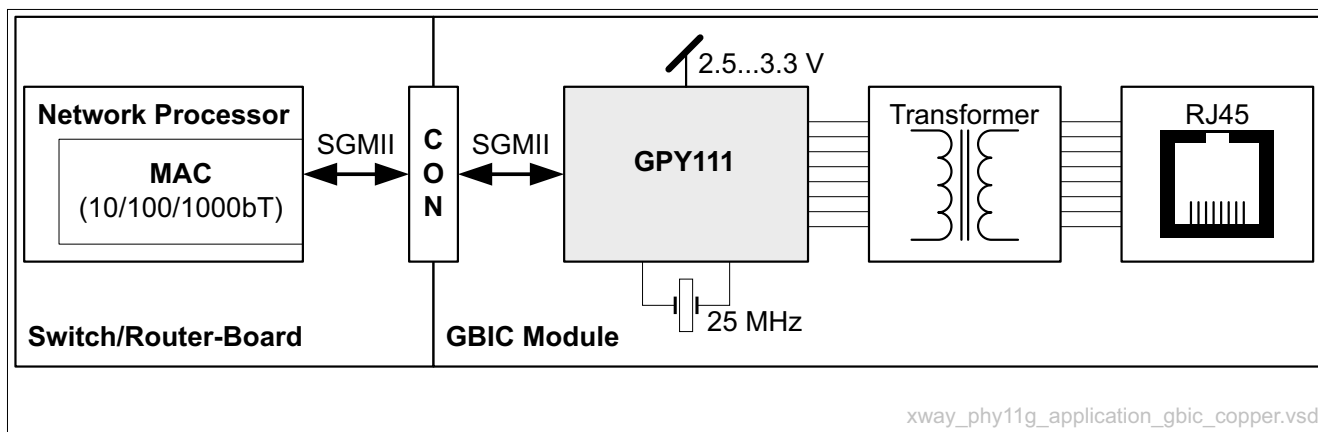


Figure 4 GPY111 Used in 10/100/1000BASE-T GBIC Application

1.2.4 Terminology and Nomenclature

Throughout this document, the terms transmit (TX) and receive (RX) are used to specify the data and signal flow directions. Unless stated otherwise, the TX direction refers to the flow of data and signals from the MII to the MDI, that is from the MAC interface to the transmission medium. The transmission of data actually refers to the transport of data towards the next lower layer in the OSI reference model. The RX direction refers to the flow of data and signals in the opposite directions.

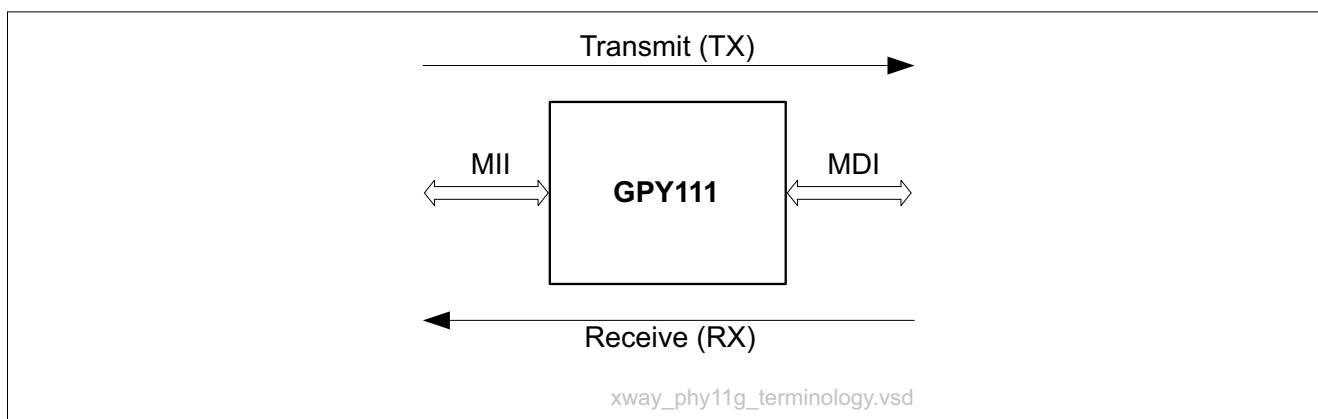


Figure 5 Transmit and Receive Terminology

Abbreviations are used throughout this document. Each abbreviation is explained once at its first appearance in the text, and is also included in a consolidated list of acronyms in [Terminology](#).

When referring to registers, the document uses the following nomenclature:

[Address-Space].[Sub-Space].[Register].[Register-Element]

As an example,

MDIO.STD.CTRL.PD

refers to the PD bit inside the CTRL register, which is located inside the STD register's space of the MDIO address space (see also [Chapter 4](#)).

Alternatively, the text uses register references according to IEEE 802.3 [1]. These references are only applicable to the MDIO.* address space. Such references use the format:

(Register-Number.Register-Bit-Number)

As an example, the reference (0.11) refers to the same MDIO.STD.CTRL.PD bit.

2 External Signals

This chapter describes the external signals of the Ethernet Network Connection GPY111.

2.1 Pin Diagram

Figure 6 shows the pin diagram of the GPY111 when taking a top view of the PG-VQFN-48 package. The pins and the common ground pad (EPAD) are visible on the bottom side of the package. The latter is illustrated using dashed lines. The subsequent sections describe each of these pins in more detail.

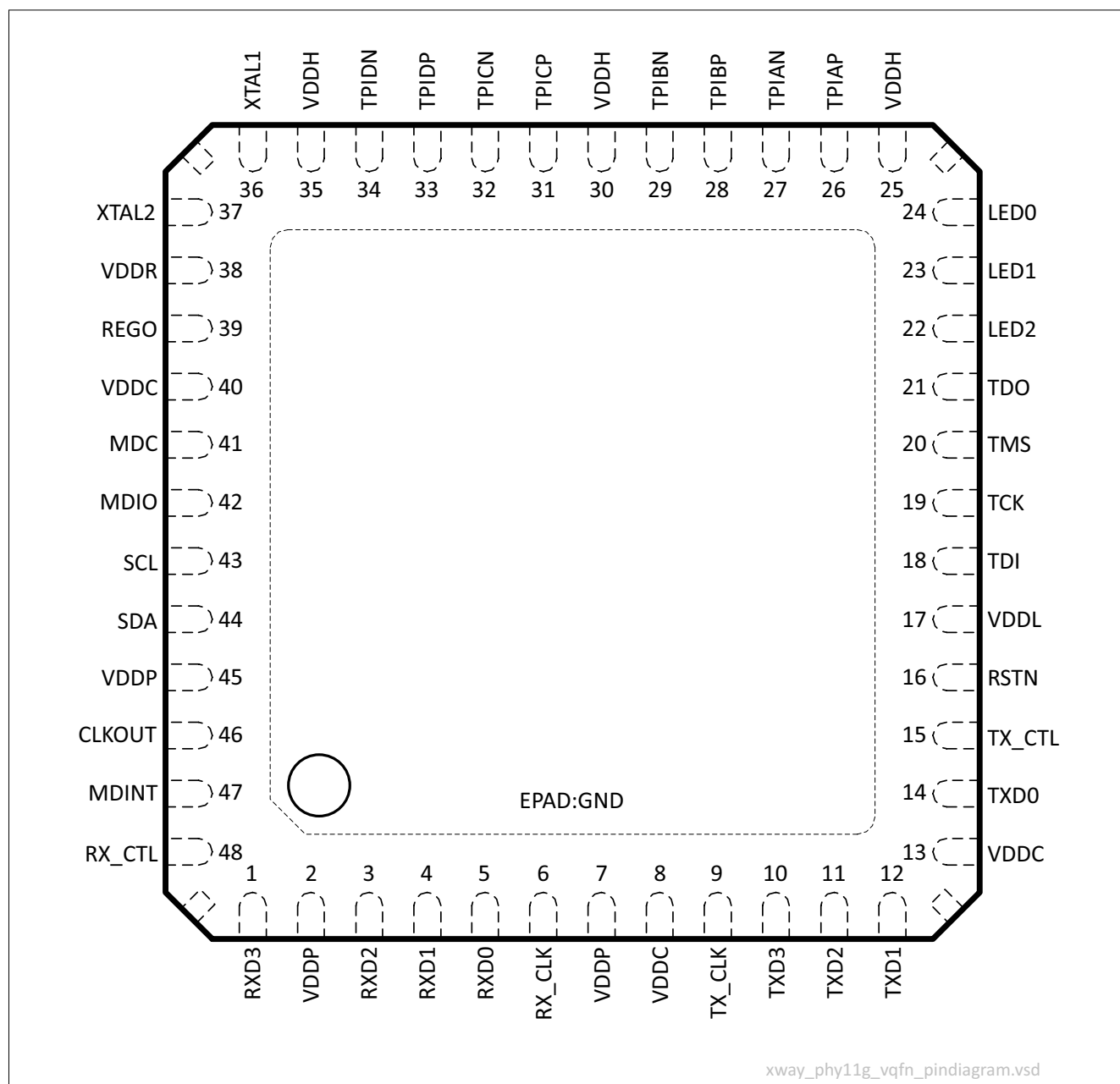


Figure 6 Pin Diagram of the GPY111 (Top View of PG-VQFN-48 Package)

2.2 Pin Description

In this section, all the GPY111 pins are grouped according to their functionality and described in detail in [Chapter 2.2.2](#) through to [Chapter 2.2.7](#) respectively. [Chapter 2.2.1](#) explains the terminology used for the pin and buffer types.

2.2.1 Pin Identifications

The abbreviations used in the following sub-sections for the pin types and buffer types are explained in [Table 1](#) and [Table 2](#) respectively.

Table 1 Abbreviations for Pin Types

Type	Long Name	Remarks
I	Input pin	–
O	Output pin	–
I/O	Bi-directional pin	–
PWR	Power supply pin	–
GND	Ground pin	–

Table 2 Abbreviations for Buffer Types

Type	Long Name	Remarks
A	Analog levels	This buffer type is used for purely analog levels. The exact electrical characteristics are specified in the corresponding sections of Chapter 6 .
HD	High-speed differential	This buffer type is used for SerDes pins, for example for SGMII or 1000BASE-X. These pins are properly terminated with a resistance of 50/75 Ω and must be AC-coupled. More details on the mandatory and optional external circuitry are given in Chapter 6.9.6 .
PU	Internal pull-up resistor	This buffer type includes a weak internal pull-up resistor which pulls the signal to V_{DDP} (logic 1 _B) when left unconnected or tristated (high-impedance).
PD	Internal pull-down resistor	This buffer type includes a weak internal pull-down resistor which pulls the signal to V_{SSP} (logic 0 _B) when left unconnected or tristated (high-impedance).
LVTTL	Digital LVTTL levels	LVTTL buffer types according to JESD8-B. Note that this buffer is only supported when the pad supply V_{DDP} is nominally 3.3 V.
CMOS	Digital CMOS 2v5 levels	CMOS 2v5 buffer types according to JESD8-5. Note that this buffer is only supported when the pad supply V_{DDP} is nominally 2.5 V.

Note: Several pins are marked as having LVTTL/CMOS buffer type. This nomenclature defines that when $V_{DDP} = 3.3$ V, the pin operates in LVTTL buffer type mode, and when $V_{DDP} = 2.5$ V, the pin operates in CMOS2v5 buffer type mode.

Note: In CMOS mode, the input pins must not be driven with LVTTL levels!

2.2.2 General Pins

This section describes the group of general pins required for the correct operation of the GPY111, including the clock, reset and DC/DC converter interfaces.

Table 3 General Pins

Pin No.	Name	Pin Type	Buffer Type	Function
16	RSTN	I	LVTTL/ CMOS, PU	Reset Asynchronous low-active reset of the device to default.
36	XTAL1	I	A	Crystal Mode: Crystal Oscillator Pin 1 A 25 MHz crystal must be connected between XTAL1 and XTAL2. Additional load capacitances must also be used to tie both pins to GND.
	REFCLK		LVTTL/ CMOS, PU	Reference Mode: Clock Input The clock input for the GPY111. This clock input can be either a 25 MHz or a 125 MHz clock. The reference clock must have a frequency accuracy of +/-50 ppm. The device automatically detects the frequency and adjusts its internal PLL accordingly.
37	XTAL2	O	A	Crystal-Mode: Crystal Oscillator Pin 2 See XTAL1.
	XTAL2			Reference-Mode: Not used Must be left unconnected in this mode.
46	CLKOUT	O	LVTTL/ CMOS	NORMAL: Clock Output After de-assertion of the reset signal RSTN, this pin outputs a clock signal that can have a frequency of 25 MHz. The frequency is selected via the <code>CLKSEL</code> field in the Physical Layer Control 2 MDIO register (default = 25 MHz).
39	REGO	O	A	Integrated DC/DC Regulator Output Provides a current output to self-supply the 1.0 V domains (V_{DDC} , V_{DDL}) of the GPY111 from the V_{DDR} supply.

2.2.3 Media-Dependent Interface (MDI) Pins

This section describes the twisted-pair Media-Dependent Interface (MDI), which directly connects to the transformer device. No external termination resistors are required.

Table 4 Twisted-Pair Interface Pins

Pin No.	Name	Pin Type	Buffer Type	Function
26	TPIAP	I/O	A	Differential Tx/Rx Port for Twisted-Pair A This is the twisted-pair port A that can be directly connected to the corresponding transformer pins. <i>Note: This port has a 100 Ω nominal impedance due to integrated termination resistors.</i>
27	TPIAN			
28	TPIBP	I/O	A	Differential Tx/Rx Port for Twisted-Pair B This is the twisted-pair port B that can be directly connected to the corresponding transformer pins. <i>Note: This port has a 100 Ω nominal impedance due to integrated termination resistors.</i>
29	TPIBN			
31	TPICP	I/O	A	Differential Tx/Rx Port for Twisted-Pair C This is the twisted-pair port C that can be directly connected to the corresponding transformer pins. <i>Note: This port has a 100 Ω nominal impedance due to integrated termination resistors.</i>
32	TPICN			
33	TPIDP	I/O	A	Differential Tx/Rx Port for Twisted-Pair D This is the twisted-pair port D that can be directly connected to the corresponding transformer pins. <i>Note: This port has 100 Ω nominal impedance due to integrated termination resistors.</i>
34	TPIDN			

2.2.4 Media-Independent Interface (MII) Pins

This section describes the Media-Independent Interface (MII), which connects the MAC to the GPY111. Multiplexed pins support several interface types, such as RMII, RGMII and SGMII. Due to the pin limitations and the large number of supported interfaces, the multiplexing of pins between the different interfaces can be complex. This chapter gives a detailed view of each pin. [Table 5](#) gives an overview of MII pin multiplexing.

Table 5 Media-Independent Interface Pins

Pin No.	Name	Pin Type	Buffer Type	Function
9	TX_CLK	I	LVTTTL/ CMOS, PD	RGMII: Transmit Clock The TXC signal is a continuous clock signal and provides the timing reference for the transfer of TX_EN_CTL and TXD[3:0]. The nominal frequency of this clock is 125 MHz for 1000 Mbit/s, 25 MHz for 100 Mbit/s, and 2.5 MHz for 10 Mbit/s. Depending on the speed selection, this clock is assumed to be properly adjusted by the MAC. The frequency deviation is assumed to be smaller than +/- 50 ppm.
	REFCLK			RMII: Reference Clock for the Transmit and Receive MAC I/F The REFCLK signal is used by the MAC and the PHY MII for synchronous data transfers. The nominal frequency of this clock is 50 MHz. The GPY111 optionally provides a suitable free-running 50 MHz clock on RX_CLK.
	SCP	O	HD	SGMII: Serial Clock (Positive Pin) This is the positive signal of the differential clock pair of the SGMII SerDes interface. In conjunction with SCN, it provides a 625 MHz differential clock that is source-synchronous with SOP/SON. If a MAC with CDR is used, this pin can be left open. The SCP pin must be AC-coupled. For more details, see Chapter 6.9.6 .
6	RX_CLK	O	LVTTTL/ CMOS	RGMII: Receive Clock The RXC signal is a continuous clock signal and provides the timing reference for the transfer of RX_EN_CTL and RXD[3:0]. The nominal frequency of this clock is 125 MHz for 1000 Mbit/s, 25 MHz for 100 Mbit/s and 2.5 MHz for 10 Mbit/s. The frequency deviation is smaller than +/-50 ppm.
	CLK50			RMII: Optional 50 MHz Reference Clock for the RMII This pin optionally provides a free-running reference clock for the RMII. This clock can be wired to the MAC and the TX_CLK of the GPY111 device. The nominal frequency of this clock is 50 MHz.
	—			SGMII: Not Used The GPY111 drives logic zero in this mode.

Table 5 Media-Independent Interface Pins (cont'd)

Pin No.	Name	Pin Type	Buffer Type	Function
10	TXD3	I	LVTTTL/ CMOS, PD	RGMI: Transmit Data Bit 3 This pin carries bit 3 of the TXD[3:0] RGMII transmit data vector. It is synchronous with TXC.
	–			RMII: Not Used Should be connected to GND or driven with logic zero.
	SCN	O	HD	SGMII: Serial Clock (Negative Pin) This is the negative signal of the differential clock pair of the SGMII SerDes interface. In conjunction with SCP, it provides a 625 MHz differential clock that is source-synchronous with SOP/SON. If a MAC with CDR is used, this pin can be left open. The pin must be AC-coupled. For more details, see Chapter 6.9.6 .
	SIGDET	I	LVTTTL/ CMOS	1000BASE-X: Signal Detect The signal detect pin is used to detect whether a valid signal is present from the FO module. The polarity of this pin can be programmed via the SDETP field in the Physical Layer Control 2 register.
11	TXD2	I	LVTTTL/ CMOS, PD	RGMI: Transmit Data Bit 2 This pin carries bit 2 of the TXD[3:0] RGMII transmit data vector. It is synchronous with TXC.
	–			RMII: Not Used Should be connected to GND or driven with logic zero.
	TDP1	O	HD	1000BASE-X: Transmit Data (Positive Pin) This is the positive signal of the differential transmit output pair of the 1000BASE-X SerDes interface. In conjunction with TDN1, it provides a 1.25 Gbit/s differential data signal to the fiber-optic module. This pin must be AC-coupled. For more details, see Chapter 6.9.7 .
	SOP			SGMII: Serial Output (positive pin) This is the positive signal of the differential output (receive) pair of the SGMII SerDes interface. In conjunction with SON, it provides a 1.25 Gbit/s differential data signal that is source-synchronous with the differential 625 MHz clock SCP/SCN. This pin must be AC-coupled. For more details, see Chapter 6.9.6 .

Table 5 Media-Independent Interface Pins (cont'd)

Pin No.	Name	Pin Type	Buffer Type	Function
12	TXD1	I	LVTTTL/ CMOS, PD	RGMI: Transmit Data Bit 1 This pin carries bit 1 of the TXD[3:0] RGMII transmit data vector. It is synchronous with TXC.
	TXD1			RMII: Transmit Data Bit 1 This pin carries bit 1 of the TXD[1:0] RMII transmit data vector. It is synchronous with REFCLK.
	TDN1	O	HD	1000BASE-X: Transmit Data (Negative Pin) This is the negative signal of the differential transmit output pair of the 1000BASE-X SerDes interface. In conjunction with TDP1, it provides a 1.25 Gbit/s differential data signal to the fiber-optic module. This pin must be AC-coupled. For more details, see Chapter 6.9.7 .
	SON			SGMII: Serial Output (Negative Pin) This is the negative signal of the differential output (receive) pair of the SGMII SerDes interface. In conjunction with SOP, it provides a 1.25 Gbit/s differential data signal that is source-synchronous with the differential 625 MHz clock SCP/SCN. This pin must be AC-coupled. For more details, see Chapter 6.9.6 .
14	TXD0	I	LVTTTL/ CMOS, PD	RGMI: Transmit Data Bit 0 This pin carries bit 0 of the TXD[3:0] RGMII transmit data vector. It is synchronous with TXC.
	TXD0			RMII: Transmit Data Bit 0 This pin carries bit 0 of the TXD[1:0] RMII transmit data vector. It is synchronous with REFCLK.
	RDP1	HD	HD	1000BASE-X: Receive Data (Positive Pin) This is the positive signal of the differential receive input pair of the 1000BASE-X SerDes interface. In conjunction with RDN1, it receives a 1.25 Gbit/s differential data signal driven by the fiber-optic module. This pin must be AC-coupled. For more details, see Chapter 6.9.7 .
	SIP			SGMII: Serial Input (Positive Pin) This is the positive signal of the differential input (transmit) pair of the SGMII SerDes interface. In conjunction with SIN, it samples a 1.25 Gbit/s differential data signal. Due to the integrated CDR, no external MAC source-synchronous clock is required. This pin must be AC-coupled. For more details, see Chapter 6.9.6 .

Table 5 Media-Independent Interface Pins (cont'd)

Pin No.	Name	Pin Type	Buffer Type	Function
15	TX_CTL	I	LVTTL/ CMOS, PD	RGMI: Transmit Control This pin is the transmit control signal for the TXD[3:0] RGMII transmit data vector. It is synchronous with TXC.
	TX_EN			RMII: Transmit Enable This is the transmission-enable signal driven by the MAC, and which is synchronous with REFCLK. The signal indicates valid data frames on TXD[1:0] to the PHY. The signal polarity is active high.
	RDN1		HD	1000BASE-X: Receive Data (Negative Pin) This is the negative signal of the differential receive input pair of the 1000BASE-X SerDes interface. In conjunction with RDP1, it receives a 1.25 Gbit/s differential data signal driven by the fiber-optic module. This pin must be AC-coupled. For more details, see Chapter 6.9.7 .
	SIN			SGMII: Serial Input (Negative Pin) This is the negative signal of the differential input (transmit) pair of the SGMII SerDes interface. In conjunction with SIP, it samples a 1.25 Gbit/s differential data signal. Due to the integrated CDR, no external MAC source-synchronous clock is required. This pin must be AC-coupled. For more details, see Chapter 6.9.6 .
48	RX_CTL	O	LVTTL/ CMOS	RGMI: Receive Control This is the receive control signal driven by the PHY, and which is synchronous with RXC. The signal encodes the RX_DV and RX_ER signals of the GMII, according to the RGMII specification. The signal polarity is active high.
	CRS_DV			RMII: Carrier Sense and Data Valid This is the carrier sense/data valid signal driven by the PHY, and which is synchronous with REFCLK. The signal encodes the RX_DV and CRS signals of the RMII, according to the RMII specification. The signal polarity is active high.
	–			SGMII: Not Used The GPY111 drives logic zero in this mode.
1	RXD3	O	LVTTL/ CMOS	RGMI: Receive Data Bit 3 This pin carries bit 3 of the RXD[3:0] RGMII receive data vector. It is synchronous with RXC.
	–			RMII: Not Used The GPY111 drives logic zero in this mode.
	–			SGMII: Not Used The GPY111 drives logic zero in this mode.

Table 5 Media-Independent Interface Pins (cont'd)

Pin No.	Name	Pin Type	Buffer Type	Function
3	RXD2	O	LVTTTL/ CMOS	RGMI: Receive Data Bit 2 This pin carries bit 2 of the RXD[3:0] RGMII receive data vector. It is synchronous with RXC.
	–			RMII: Not Used The GPY111 drives logic zero in this mode.
	–			SGMII: Not Used The GPY111 drives logic zero in this mode.
4	RXD1	O	LVTTTL/ CMOS	RGMI: Receive Data Bit 1 This pin carries bit 1 of the RXD[3:0] RGMII receive data vector. It is synchronous with RXC.
	RXD1			RMII: Receive Data Bit 1 This pin carries bit 1 of the RXD[1:0] RMII receive data vector. It is synchronous with REFCLK.
	–			SGMII: Not Used The GPY111 drives logic zero in this mode.
5	RXD0	O	LVTTTL/ CMOS	RGMI: Receive Data Bit 0 This pin carries bit 0 of the RXD[3:0] RGMII receive data vector. It is synchronous with RXC.
	RXD0			RMII: Receive Data Bit 0 This pin carries bit 0 of the RXD[1:0] RMII receive data vector. It is synchronous with REFCLK.
	–			SGMII: Not Used The GPY111 drives logic zero in this mode.

2.2.5 Control Interface Pins

This section specifies the MDIO Interface according to clause 22 in [1]. The AC characteristics of this interface are defined in [Chapter 6.6.5](#).

Table 6 Control Interface Pins

Pin No.	Name	Pin Type	Buffer Type	Function
41	MDC	I	LVTTL/ CMOS, PD	MDIO: Management Data Clock This is the MDIO data clock signal with which the serial management interface signals on MDIO are synchronized. All MDIO signals are subject to change at the rising edge of MDC.
42	MDIO	I/O	LVTTL/ CMOS, PU	MDIO: Management Data Input/Output The management data input/output pin carries control information written by the higher-level management entity to the PHY. This includes command, address and write information. The MDIO is registered on the rising edge of MDC. The pin is pulled up in input mode only.
47	MDINT	O	LVTTL/ CMOS	MDIO: Management Interrupt This pin can be used to drive an interrupt signal to the higher-level management entity. The event for which this interrupt should be issued is configurable via the MDIO registers. If no interrupt is active, then the pin is in a high-impedance state. The polarity of the pin can be set via an external pull-up (low-active MDINT) or pull-down (high-active MDINT) resistor. A value of 10 kΩ is recommended. In case multiple GPY111 devices are controlled by one higher-level management entity, these signals can be combined using a wired-or. After the GPY111 is reset, the signal becomes active to indicate that it is ready to accept MDIO inputs. The register MDIO.PHY.ISTAT needs to be read to deactivate this signal.

LED Interface

24	LED0	I/O	A	LED0 This is a freely configurable LED port that can be used to connect a preferably low-current LED. <i>Note: This pin reads in soft pin-strapping information during reset.</i>
23	LED1	I/O	A	LED1 This is a freely configurable LED port that can be used to connect a preferably low-current LED. <i>Note: This pin reads in soft pin-strapping information during reset.</i>
22	LED2	I/O	A	LED2 This is a freely configurable LED port that can be used to connect a preferably low-current LED. <i>Note: This pin reads in soft pin-strapping information during reset.</i>

Table 6 Control Interface Pins (cont'd)

Pin No.	Name	Pin Type	Buffer Type	Function
EEPROM/I²C/Two-Wire Interface				
43	SCL	O	LVTTTL/ CMOS, PU	Serial Clock This is the serial clock of the I ² C interface. The maximum frequency of this interface is 1 MHz. The frequency is configurable via the soft pin-strapping pins. This clock is only active when an EEPROM is connected and during an access to the EEPROM. The duty cycle is 50%.
44	SDA	I/O	LVTTTL/ CMOS, PU	Serial Data/Address This is the serial data/address of the I ² C interface that shall (optionally) be connected to an external EEPROM supporting an I ² C (or Two-Wire) interface. An operational mode using an external EEPROM is useful in systems without a higher-level management entity. The GPY111 automatically detects a connected EEPROM by monitoring the SDA pin after reset or power-up. This pin must be connected to GND to indicate that no EEPROM is present. If an EEPROM is present, the soft pin-strapping pins are used to define the speed and operational mode of the EEPROM interface.

2.2.6 JTAG Interface

This section describes the JTAG test pins used for boundary scan testing¹⁾.

Table 7 JTAG Interface Pins

Pin No.	Name	Pin Type	Buffer Type	Function
21	TDO	O	LVTTTL/ CMOS	JTAG Serial Test Data Output
18	TDI	I	LVTTTL/ CMOS, PU	JTAG Serial Test Data Input
20	TMS	I		JTAG Test Mode Select
19	TCK	I		JTAG Test Clock The TDI, TDO and TMS signals are synchronized with this JTAG test clock. <i>Note: If the JTAG interface is not used, this pin must be tied to V_{DDP} using a pull-up resistor!</i>

1) JTAG reset is achieved by an internal power-on-reset module and therefore a TRST input is unnecessary. Reset of the JTAG can also be achieved using the Tap Controller Initialization Sequence as described in [8].

2.2.7 Power Supply Pins

This section specifies the power supply pins of the GPY111. The operating ranges of the power domains are specified in [Chapter 6.2](#).

Table 8 Power Supply Pins

Pin No.	Name	Pin Type	Buffer Type	Function
25,30,35	VDDH	PWR		High-Voltage Domain Supply This is the group of supply pins for the high-voltage domain, which supplies the line driver in the PMA of the GPY111. This supply has to provide a nominal voltage of $V_{DDH} = 2.5\text{ V}$ or 3.3 V , with a worst case tolerance of $\pm 5\%$ at the respective corners. <i>Note: For optimal power consumption, the lowest possible voltage is selected in the system.</i>
38	VDDR	PWR		Regulator Voltage Domain Supply This is the group of supply pins for the DC/DC switching regulator voltage domain, which supplies the integrated DC/DC converter of the GPY111. This supply has to provide a nominal voltage of $V_{DDR} = 2.5\text{ V}$ or 3.3 V , with a worst case tolerance of $\pm 5\%$ at the respective corners. <i>Note: For optimal power consumption, the lowest possible voltage is selected in the system.</i>
2,7,45	VDDP	PWR		Pad Voltage Domain Supply This is the group of supply pins for the pad supply of the GPY111. This supply has to provide a nominal voltage of $V_{DDP} = 2.5\text{ V}$ or 3.3 V , with a worst case tolerance of $\pm 5\%$ at the respective corners. <i>Note: For optimal power consumption, the lowest possible voltage is selected in the system.</i>
17	VDDL	PWR		Low-Voltage Domain Supply This is the group of supply pins for the low-voltage domain, which supplies mixed signal blocks in the PMA of the GPY111. The supply has to provide a nominal voltage of $V_{DDL} = 1.0\text{ V}$, with a worst case tolerance of $\pm 5\%$.
8,13,40	VDDC	PWR		Core Voltage Domain Supply This is the group of supply pins for the core voltage domain. It supplies the digital core blocks of the GPY111. This supply has to provide a nominal voltage of $V_{DDC} = 1.0\text{ V}$ with a worst case tolerance of $\pm 5\%$.
EPAD ¹⁾	VSS	GND		General Device Ground

1) The EPAD is the exposed pad at the bottom of the package. This pad must be properly connected to the PCB ground plane.

3 Functional Description

Figure 7 shows a block diagram of the GPY111 device. It also outlines the relationship of the device pins to the main functional blocks. The following sections describe the functionality of these blocks in more detail.

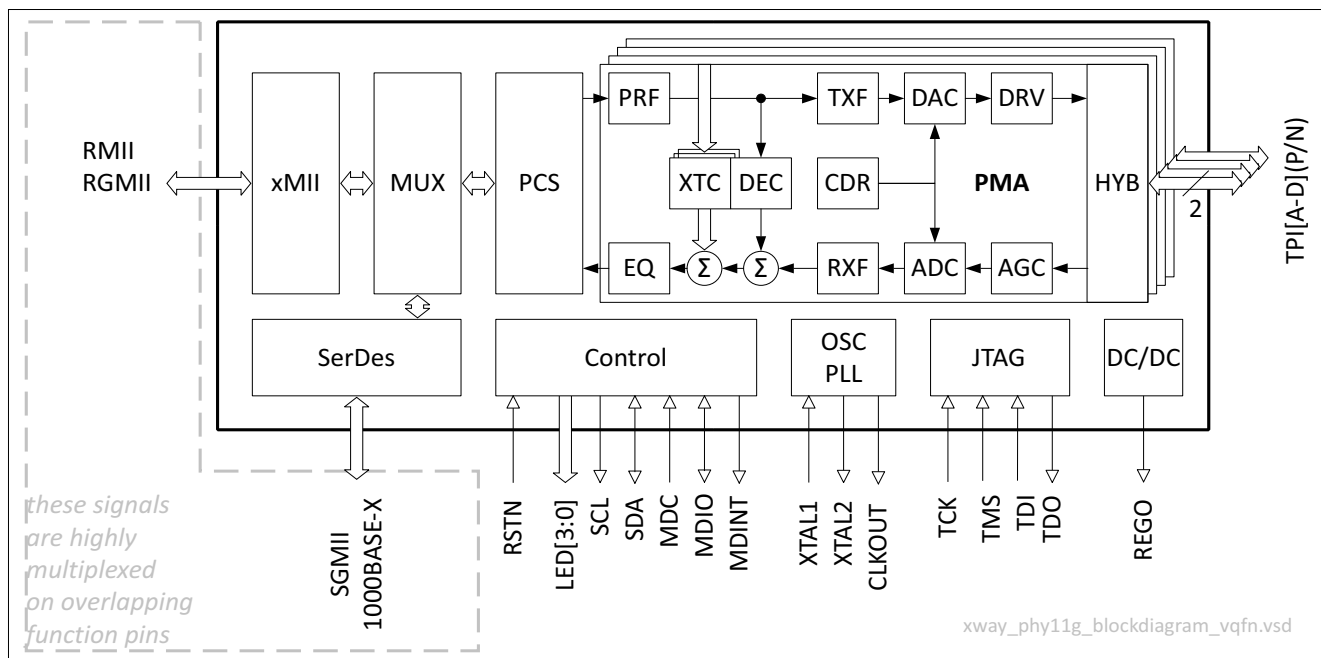


Figure 7 Functional High-Level Block Diagram of GPY111

3.1 Modes of Operation

The GPY111 supports various MII types, such as RMI, RGMII, and SGMII. These can be combined with two MDI modes of operation, namely those based on copper or fiber (1000BASE-X). This section outlines the supported combinations of these interfaces, as illustrated in Table 9.

Table 9 MII and MDI Combinations Supported by GPY111

xMII Mode (Chapter 3.2.1)	MDI Mode (Chapter 3.3.1)			
	Copper (Chapter 3.3.1.1)			Fiber (Chapter 3.3.1.1)
	10BASE-T(e)	100BASE-TX	1000BASE-T	1000BASE-X
RMI	X	X		Fiber is only available in media-converter applications!
RGMII	X	X	X	
SGMII	X	X	X	

In general, a particular combination of MIIs and MDIs defines one of 2 different data flows:

- Copper flow
- Media-converter flow

The flows can be configured via pin-strapping (see Chapter 3.4.1) or after an EEPROM boot (see Chapter 3.4.2), and are controlled by means of the MDIO interface pins (see Chapter 3.4.3).

3.1.1 Copper Flow

In the copper flow, the operates as a standard multi-speed twisted-pair copper PHY, according to the standards defining the 10BASE-T(e), 100BASE-TX and 1000BASE-T modes of operation on the MDI. All the xMII-supported MII interface types may be used to connect to a MAC-layer device. Note that the data rate of the MDI can be restricted by the MII type used. For example, the RMII does not support the higher rates of the 1000BASE-T mode. Refer to [Table 9](#) for details.

3.1.2 Media Converter Flow

In this type of data-flow configuration, the acts as an interface between a fiber-based MDI and a copper-based MDI. In this configuration, the device does not require a MAC connection. It can operate fully unmanaged, meaning that no management entity needs to be connected to the MDIO interface.

The media-converter flow only supports the 1000 Mbit/s data rate, converting the flow of data between 1000BASE-X and 1000BASE-T. The uses auto-negotiation to resolve the proper conversion configuration. The copper MDI is forced into the correct speed mode by restricting the auto-negotiation feature to using only 1000BASE-T in full-duplex and half-duplex mode.

3.2 Media-Independent Interfaces (MII)

This section describes the supported MIIs of the GPY111. Each individual MII mode is investigated in detail and its particular requirements and properties are outlined.

3.2.1 X-speed Media-Independent Interface (xMII)

This section investigates all functional aspects of the xMII interface block.

3.2.1.1 xMII Signal Multiplexing

The GPY111 deals with the large variety of standard MAC interfaces (MIIs) by converting the different signaling schemes into native internal MII signals according to IEEE 802.3 [1]. This conversion is done by the xMII block on the GPY111, as illustrated in [Figure 7](#).

[Table 10](#) summarizes the assignment of xMII pins to standard MAC interface signals according to [Chapter 2.2.4](#).

Table 10 xMII Signal Multiplexing

Logic Port		xMII		SerDes	
Pin Name	I/O	RMII	RGMII	SGMII	1000BASE-X
TX_CLK	I	REFCLK	TXC	SCP	
TXD3	I		TXD3	SCN	SIGDET
TXD2	I		TXD2	SOP	TDP
TXD1	I	TXD1	TXD1	SON	TDN
TXD0	I	TXD0	TXD0	SIP	RDP
TX_CTL	I	TX_EN	TX_EN_CTL	SIN	RDN
RX_CLK	O	CLK50 ¹⁾	RXC	–	–
RX_CTL	O	CRS_DV	RX_DV_CTL	–	–
RXD3	O	–	RXD3	–	–
RXD2	O	RX_ER	RXD2	–	–
RXD1	O	RXD1	RXD1	–	–
RXD0	O	RXD0	RXD0	–	–

1) By default, a free-running 50 MHz clock is sourced at RX_CLK in RGMII mode and can be used as REFCLK.

Simultaneous use of the interfaces for the various settings of FLOW and MODE, as defined in **Media-Independent Interface Control** register and **Table 17**, is further illustrated in **Table 11**. In this table, dMII refer to the xMII interface of the GPY111, but excluding the analog SGMII and 1000BASE-X interfaces.

The ANEG column reflects the sequence of auto-negotiation when two interfaces, both of which incorporate auto-negotiation, are involved.

For example, “TPI/1000BASE-X → SGMII” means that auto-negotiation over either TPI or 1000BASE-X will happen first (depending on which interface is active), and the SGMII interface would then be set up to auto-negotiate according to the outcome of the first auto-negotiation.

Table 11 Operation of Various Interfaces for Different FLOW and MODE Settings

FLOW	MODE	dMII	SERDES	TPI	ANEG	RATE (Mbit/s)
Copper	RGMII	RGMII	unused	used	TPI	10/100/1000
Copper	SGMII	unused	SGMII	used	TPI → SGMII	10/100/1000
Copper	RMII	RMII	unused	used	TPI	10/100
Copper	SGMII_NC	unused	SGMII_NC	used	TPI → SGMII	10/100/1000
Conv	CONV_X2T1000	unused	1000BASE-X_NA	used	TPI	1000
Conv	CONV_X2T1000A	unused	1000BASE-X	used	1000BASE-X → TPI	1000

3.2.1.2 xMII Signal Conditioning

To reduce the cost in materials and effort for the PCB layout, the GPY111 supports extended signal conditioning on the xMII, as depicted in **Figure 8**. The high-speed MAC interface signals are internally conditioned such that only a straight strip wire is required to connect a MAC device to the GPY111 in the receive direction. In particular, this means that configurable¹⁾ series termination resistors are integrated into the driving pad. Additionally, the RX_CLK and TX_CLK pins implement an adjustable delay line that allows for skewing of the clock with respect to the data. This guarantees correct data samplings in both the MAC and PHY devices.

For MAC devices that do not support internal signal conditioning, an appropriately dimensioned series resistance needs to be included on the PCB. Signal conditioning on the xMII is valid for all non-SerDes interfaces such as MII, GMII and RGMII. The integrated delay is only intended for use with the RGMII.

1) Note that tuning of outputs are not required in standard designs using PCB traces with characteristic impedance of 50 Ω. Further, this tuning is not user-configurable.

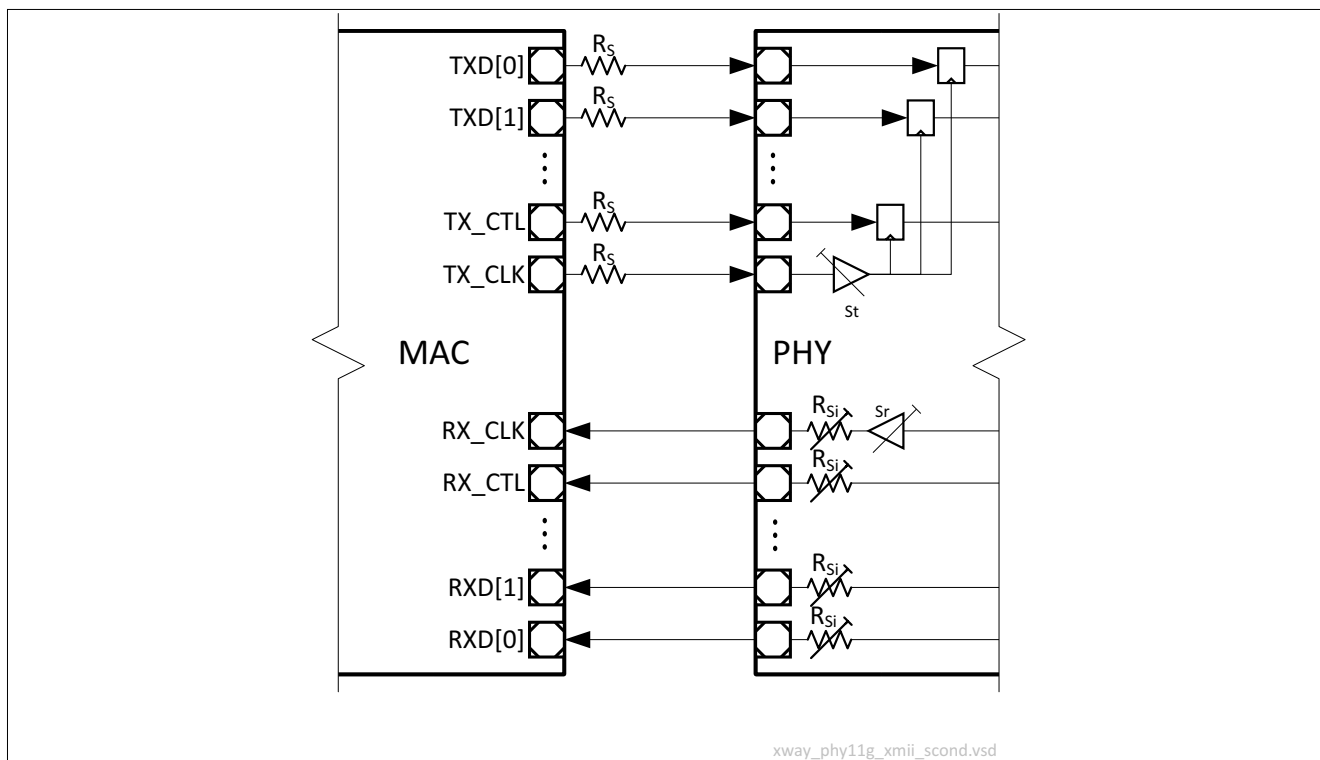


Figure 8 xMII Signal Conditioning between MAC and GPY111

3.2.2 Reduced Media-Independent Interface (RMII)

The Reduced Media-Independent Interface (RMII) implements a MAC interface with a reduced pin count, but only supporting speeds of 10 Mbit/s and 100 Mbit/s. If the MAC interface is configured in RMII mode, then the GPY111 device does not negotiate 1000 Mbit/s functionality and therefore behaves like a fast Ethernet PHY.

The RMII is fully compliant with the specification of the RMII consortium [11]. The pin-to-signals mapping is defined in Table 10. As a special feature of the GPY111, the RX_CLK pin drives a continuous 50 MHz clock that can be used as the reference clock (CLK50). This clock is free-running and not locked to the receiver clock. The elastic buffering as required by [11] is performed in the PHY. The RX_CLK pin can be connected to the REFCLK pins of both the PHY and the MAC devices.

3.2.3 Reduced Gigabit Media-Independent Interface (RGMII)

The RGMII implements a MAC interface that can be used for all supported speeds, that is at 10 Mbit/s, 100 Mbit/s and 1000 Mbit/s, but with a reduced pin count when compared to a GMII. This interface is implemented according to the RGMIIv1.2 [9] and RGMIIv2.0¹⁾ [10] specification, and is therefore referred to as RGMII-ID. The mapping of standardized signals to device pins is defined in Table 3.

The transfer of data between the MAC and PHY devices is handled via a clock signal, a control signal and a four-bit data vector in both the transmit and receive directions. The clock signal is always driven by the signal source, that is the MAC in the transmit direction and PHY in the receive direction. The control and data signals change with both the rising and falling edges of the driving clock.

The nominal driving clock frequency at data speeds in gigabits is of 125 MHz. Lower speeds of 10 Mbit/s and 100 Mbit/s can be achieved by reducing the clock frequency to 2.5 MHz and 25 MHz respectively. At these speed grades, the higher half of the data octet has no content. Instead, the GPY111 device accepts a replicated version of TXD[3:0] on the falling clock edge, thus reducing power consumption. This is not possible for the TX_CTL and

1) HSTL logic drivers are not supported. Instead standard LVTTTL drivers are used.

RX_CTL control signals, as these still need to multiplex the GMII_TX_EN/GMII_TX_ER and the GMII_RX_EN/GMII_RX_DV signals.

In order to reduce the power consumption on this interface, the RGMII specification defines a special coding of these control signals such that:

```
TX_EN = GMII_TX_EN
TX_ER = GMII_TX_EN XOR GMII_TX_ER
RX_EN = GMII_RX_EN
RX_ER = GMII_RX_DV XOR GMII_RX_ER
```

The TX_CTL signal transports the TX_EN subject to the rising edge, whereas TX_ER is driven by the falling edge of the TX_CLK. The RX_CTL signal is defined in the same way as TX_CTL. The exact encoding for TX_CTL and RX_CTL is depicted in [Table 12](#) and [Table 13](#), respectively. As can be seen in [Table 13](#), the GPY111 supports in-band status via RGMII.

The AC characteristics of the RGMII are specified in [Chapter 6.6.7](#). In order to simplify PCB design, the GPY111 supports XMII signal conditioning between MAC and PHY, as described in [Chapter 3.2.1.2](#). The clock signals can be delayed using a programmable skew value, in order to obtain a robust setup and hold the time relationships between the clock and the data/control signals at the receiving pins. The programmability of the skew value addresses the particularities of the given PCB environment in which the GPY111 device is embedded.

Supported test loops ([Chapter 3.6.3](#)) can be activated at any time. The speed at which the test loop operates depends on the state of the transceiver. Activating a test loop during an active link implies that the currently selected link speed, for example after auto-negotiation ([Chapter 3.3.2](#)) or auto-downspeed ([Chapter 3.3.3](#)) is used. Otherwise the test loop is operated at the speed grade specified by the registers (0.13) and (0.6).

Table 12 Transmit Control Encoding

TX_CTL	GMII_TX_EN	GMII_TX_ER	TXD[7:0]	Description
↑0↓0	0	0	00 _H ...FF _H	Normal inter-frame
↑0↓1	0	1	00 _H	Reserved
↑0↓1	0	1	01 _H	Low-power IDLE assert
↑0↓1	0	1	02 _H ...0E _H	Reserved
↑0↓1	0	1	0F _H	Carrier extend
↑0↓1	0	1	10 _H ...FE _H	Reserved
↑0↓1	0	1	1F _H	Carrier-extend error
↑0↓1	0	1	20 _H ...FF _H	Reserved
↑1↓1	1	0	00 _H ...FF _H	Transmit data frame
↑1↓0	1	1	00 _H ...FF _H	Transmit error propagation

Table 13 Receive Control Encoding

RX_CTL	GMII_RX_DV	GMII_RX_ER	RXD[7:0]	Description	PHY Status
↑0↓0	0	0	xxx0xxx0 _B	Normal inter-frame	Link down
			xxx1xxx1 _B		Link up
↑0↓0	0	0	x00xx00x _B	Normal inter-frame	RX_CLK = 2.5 MHz
			x01xx01x _B		RX_CLK = 25 MHz
			x10xx10x _B		RX_CLK = 125 MHz
			x11xx11x _B		Reserved

Table 13 Receive Control Encoding (cont'd)

RX_CTL	GMII_RX_DV	GMII_RX_ER	RXD[7:0]	Description	PHY Status
↑0↓0	0	0	0xxx0xxx _B	Normal inter-frame	Half-duplex mode
			1xxx1xxx _B		Full-duplex mode
↑0↓1	0	1	00 _H	Reserved	
↑0↓1	0	1	01 _H	Low-power IDLE assert	
↑0↓1	0	1	02 _H ...0D _H	Reserved	
↑0↓1	0	1	0E _H	False carrier indication	False carrier present
↑0↓1	0	1	0F _H	Carrier extend	EXTEND
↑0↓1	0	1	10 _H ...FE _H	Reserved	
↑0↓1	0	1	1F _H	Carrier-extend error	ZERO, ONE
↑0↓1	0	1	20 _H ...FE _H	Reserved	
↑0↓1	0	1	FF _H	Carrier sense	PLS_Carrier.Indicate
↑1↓1	1	0	00 _H ...FF _H	Receive data frame	ZERO, ONE
↑1↓0	1	1	00 _H ...FF _H	Receive data error	ZERO, ONE

3.2.4 Serial Gigabit Media-Independent Interface (SGMII)

The Serial Gigabit Media-Independent Interface (SGMII) implements a MAC interface that can be used for all supported speeds, namely 10 Mbit/s, 100 Mbit/s and 1000 Mbit/s. This interface is implemented according to the SGMII [13] specification.

The mapping of the standardized signals to the device pins is shown in [Table 3](#). Note that the integrated SGMII uses Clock and Data Recovery (CDR) to extract the TXCLK clock from the TX data. This significantly reduces cost and power.

The RXCLK is driven as specified by the standard, but can be switched off via MDIO to reduce power, in case the MAC also supports CDR.

The AC characteristics of the SGMII are described in [Chapter 6.6.8](#).

Supported test loops ([Chapter 3.6.3](#)) can be activated at any time.

The external circuitry required to connect the GPY111 properly via SGMII is described in [Chapter 6.9.6](#).

3.3 Media Functions

This chapter describes the media functions supported by the GPY111.

3.3.1 Media-Dependent Interfaces (MDI)

This section describes the Media-Dependent Interfaces (MDIs) that are supported by the GPY111.

3.3.1.1 Copper Interface

The Twisted-Pair Interface (TPI) of the GPY111 is fully compliant with IEEE 802.3 [1]. To facilitate low-power implementation and reduce PCB costs, the series resistors that are required to terminate the twisted-pair link to nominally $100\ \Omega$ are integrated into the device. As a consequence, the TPI pins (see Chapter 2.2.3) can be directly connected via the transformer to the RJ45 plug. Additional external circuitry is only required for proper common-mode termination and rejection.

The electrical characteristics of the transformer and the plug are outlined in Chapter 6.9.3 and Chapter 6.9.4, respectively. A high-level schematic of the TPI circuitry is shown in Figure 9, taking these components into account.

The twisted-pair wires are connected to the RJ45 plug pins according to the specification in [5]. The common-mode external circuitry is described in Chapter 6.9.5.

Note that the twisted-pair port C is terminated with high-precision, high-ohmic resistors R_{CAL} , which are in turn connected to the common-mode ground. This configuration is only required for the port C and is used to auto-calibrate the IC after reset.

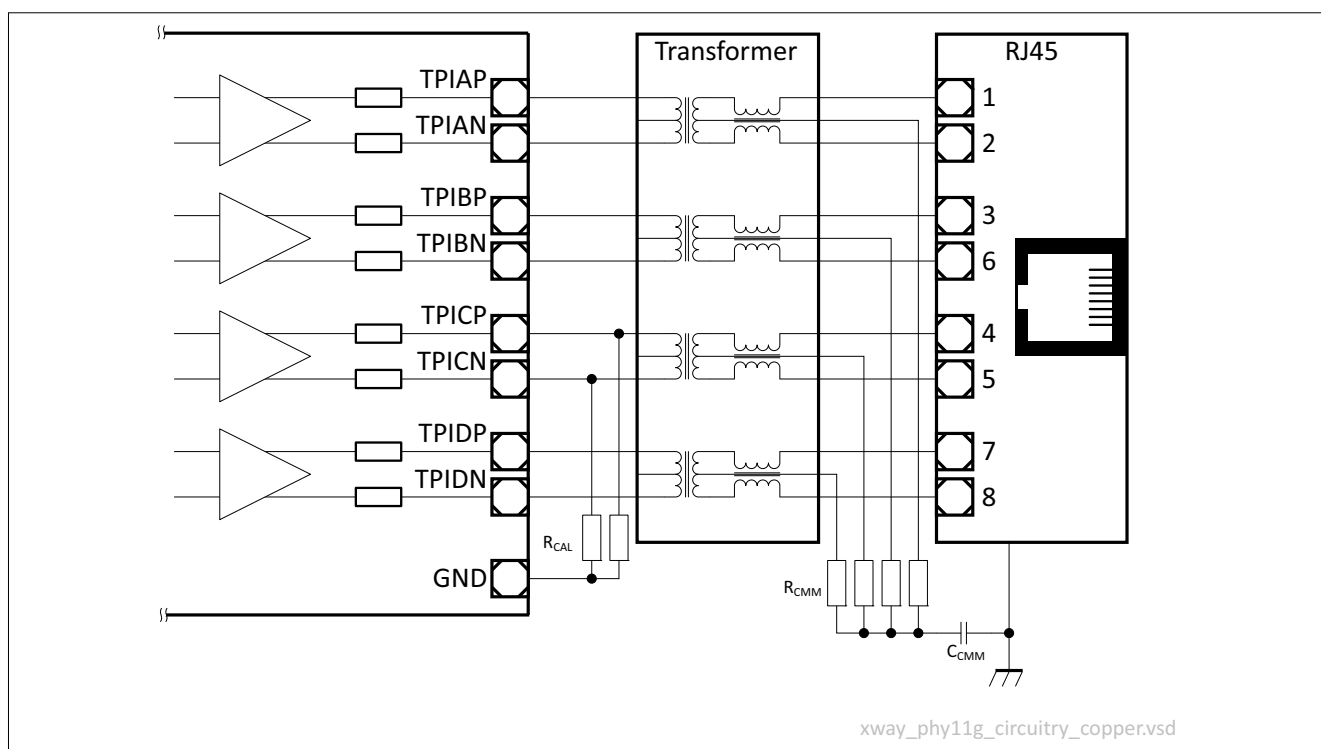


Figure 9 Twisted-Pair Interface of GPY111 Including Transformer and RJ45 Plug

3.3.1.2 Fiber Interface

Using the integrated SerDes module, the supports fiber-based PHY Ethernet applications compliant with IEEE 802.3, clause 36 [1] (1000BASE-X). 1000BASE-X-specific auto-negotiation, according to IEEE 802.3 clause 37 [1], is also supported. A signal-detect input is optionally available to indicate the signal status from the optics module to the . The external circuitry and wiring connection to the optics module is specified in [Chapter 6.9.7](#). Accordingly, [Chapter 6.6.9](#) specifies the timing characteristics of this interface.

Note that the integrated SerDes is compatible with both 1000BASE-X and the SGMII standard, which in turn means that the differential high-speed pins can operate in both modes, depending on the configuration. However, since GPY111 integrates only one SerDes, this means that only one of these interface modes can be operated at any one time.

The fiber interface supports only speeds of 1000 Mbit/s; it is only compatible with gigabit-speed MIIs.

3.3.2 Auto-Negotiation

The GPY111 supports self-contained Auto-Negotiation (ANEG) as a startup procedure to exchange capability information with the link partner. Unless ANEG is manually disabled using the `MDIO.STD.CTRL.ANEN` register, the GPY111 will initiate each link-up using an ANEG procedure. This is recommended by the IEEE and essentially required for the 1000BASE-T mode.

ANEG is done after the following events:

- Power up
- Software power up (`MDIO.STD.CTRL.PD = ↓0B`)
- Hardware reset
- Software reset (`MDIO.STD.CTRL.RST = ↓0B`)
- Command to restart ANEG (`MDIO.STD.CTRL.ANRS = ↑1B`)
- Link-down

Unless otherwise configured, the GPY111 carries out an auto-crossover detect/enable procedure prior to the start of the ANEG process. This ensures optimal interoperability even in inadequate cable infrastructure environments. However, if ANEG is disabled, the auto-crossover procedure is still done during link-up. More details are given in [Chapter 3.3.4](#).

The implementation of the ANEG procedure is compliant with the standards given in IEEE 802.3, clause 28 ([1]). If the link partner does not support ANEG, the GPY111 extracts the link-speed configuration using parallel detection. Once this is detected, the PHY links up at the speed of the link partner. Since the duplex mode cannot be extracted during parallel detection, the duplex mode is set to half-duplex, which also works in case the link partner operates in full-duplex mode. Since ANEG is a mandatory feature for 1000BASE-T transceivers, the GPY111 only does parallel detection for 10BASE-T and 100BASE-TX.

The default advertisements during ANEG are according to standard. [Chapter 3.4](#) specifies how these settings can be overwritten with other values.

The GPY111 supports Next Page (NP) exchange, since this is mandatory for advertising 1000BASE-T capabilities. By default, NPs are exchanged autonomously and do not require interaction with any management device. If no NPs are intended to be transmitted by the management device, the `MDIO.STD.AN_NPTX.NP` register bit should be set to logic 1_B.

If the GPY111 is configured in a particular MAC interface mode which does not support all PHY speeds, the ANEG-capability registers are automatically restricted to the MAC speeds possible. More details about the MAC interfaces and the supported speed modes are listed in [Table 9](#).

When the GPY111 is configured to operate with a MAC via the SGMII, the SGMII also incorporates auto-negotiation on the MAC-to-PHY interface. This auto-negotiation is automatically initiated by the GPY111 whenever there are link-speed changes on the TPI. This means that, after ANEG is completed on the TPI-side, the link speed is advertised to the MAC via the SGMII ANEG capability.

3.3.3 Auto-Downspeed

The Auto-Downspeed (ADS) feature ensures maximum interoperability even in harsh or inadequate cable infrastructure environments. In particular, ADS is applied during 1000BASE-T training. This is necessary because the information available about the cabling during ANEG is insufficient. It is possible to advertise 1000BASE-T during ANEG, even though it might happen that both link partners are connected via a CAT-3 cable, which does not support the 4-pair Gigabit Ethernet mode. In order to avoid continuous link-up failures in such a situation, the GPY111 operates a detection algorithm to identify this situation. As a consequence, Gigabit-capability indication is cleared from the ANEG registers. After the resulting link-down, the next ANEG process does not advertise 1000BASE-T anymore, such that even when the link partner does not implement this kind of ADS algorithm, the next link-up will be done at the next advertised speed below 1000 Mbit/s.

It can also happen that the existing cable infrastructure is adequate, but that the integrity of received signals is not suitable for a 1000BASE-T link-up, for example due to increased alien noise, or over-length cables. If such a condition is detected, the GPY111 also does an ADS procedure.

Finally, it can also happen that, even though the GPY111 is able to link up properly, for example in slave mode, the link partner is not able to. In this situation, ADS criterion described previously does not become active, but the link also never comes up. In order to address this corner situation, the GPY111 counts the number of attempts to link up to 1000BASE-T. If this number is greater than 3, the ADS procedure is carried out. This number is reset internally after each successful 1000BASE-T link-up.

In all flow and mode settings that support only speeds of 1000 Mbit/s, the ADS feature is automatically disabled.

3.3.4 Auto-Crossover and Polarity-Reversal Correction

In order to maximize interoperability even in inadequate wiring environments, the GPY111 supports auto-crossover¹⁾ and polarity-reversal detection and correction. Both features are enabled by default.

Auto-crossover detection and correction operates at all supported twisted-pair speeds. The supported pair-mappings detectable and correctable by the device are listed in [Table 14](#). However, in 10BASE-T and 100BASE-TX, pairs C and D are not used. Consequently, mode 2 and 3 as well as 1 and 4 are identical. However, in 1000BASE-T all modes are applicable.

The auto-crossover functionality is fully compliant with IEEE 802.3 [1], clause 40.4.4, in 1000BASE-T mode. In the 10BASE-T and 100BASE-TX modes, this functionality depends on the detection of valid link pulses.

Table 14 Supported Twisted-Pair Mappings

Crossover Modes on a RJ45 ¹⁾		RJ45 Pinning							
#	Description	1	2	3	4	5	6	7	8
1	Normal, straight CAT5 cable	TPIAP (A+)	TPIAN (A-)	TPIBP (B+)	TPICP (C+)	TPICN (C-)	TPIBN (B-)	TPIDP (D+)	TPIDN (D-)
2	Fast Ethernet-only MDI-X	TPIBP (B+)	TPIBN (B-)	TPIAP (A+)	TPICP (C+)	TPICN (C-)	TPIAN (A-)	TPIDP (D+)	TPIDN (D-)
3	Full Gigabit Ethernet MDI-X	TPIBP (B+)	TPIBN (B-)	TPIAP (A+)	TPIDP (D+)	TPIDN (D-)	TPIAN (A-)	TPICP (C+)	TPICN (C-)
4	Normal, straight CAT5 cable with C/D pair-swap	TPIAP (A+)	TPIAN (A-)	TPIBP (B+)	TPIDP (D+)	TPIDN (D-)	TPIBN (B-)	TPICP (C+)	TPICN (C-)

1) Pin assignment according to TIA/EIA-568-A/B

Polarity-reversal errors caused by improper wiring are automatically corrected by the GPY111. This correction is done on all pairs in the receive direction for all supported twisted-pair media modes. In 10BASE-T mode, the

1) A subset of this feature is also known as MDI/MDI-X from 10BASE-T and 100BASE-TX.

polarity correction is based on the detection of valid link pulses. In 100BASE-TX, the polarity of the receive signal is inherently corrected by the negation invariance of line code. In the 1000BASE-T mode, polarity detection is part of the training sequence. In all the modes, the detected polarity is frozen once the link has been established, and remains unchanged until the link is dropped.

The status of the polarity detection is indicated in `MDIO.PHY.PHYSTAT1` (**PHY_PHYSTAT1**). Polarity can also be controlled using `MDIO.PHY.PHYCTL1` (**PHY_PHYCTL1**).

3.4 Configuration, Control and Status Functions

This chapter investigates control and configuration of the GPY111. It distinguishes between control and configuration operations. Configuration of the device can be done either via pin-strappings (**Chapter 3.4.1**) or via configuration content on an external EEPROM (**Chapter 3.4.2**). Configuration and control can be done using the MDIO interface (**Chapter 3.4.3.1**), according to IEEE 802.3 [1]. Furthermore, the chapter outlines how status information can be extracted from the GPY111, either using the LED pins (**Chapter 3.4.4**), or by using a higher-level management entity on the MDIO interface together with an external interrupt (**Chapter 3.4.3.3**).

Figure 10 illustrates the configuration flow in the form of a flow chart. Note that configuration is only performed once after hardware reset or power-up. A simple software reset does not restart the configuration sequence. MDIO configuration and control access can only start after the configuration sequence has finished. The GPY111 indicates the time at which this is possible by clearing the MDIO reset register (`MDIO.STD.CTRL.RST = 0B`).

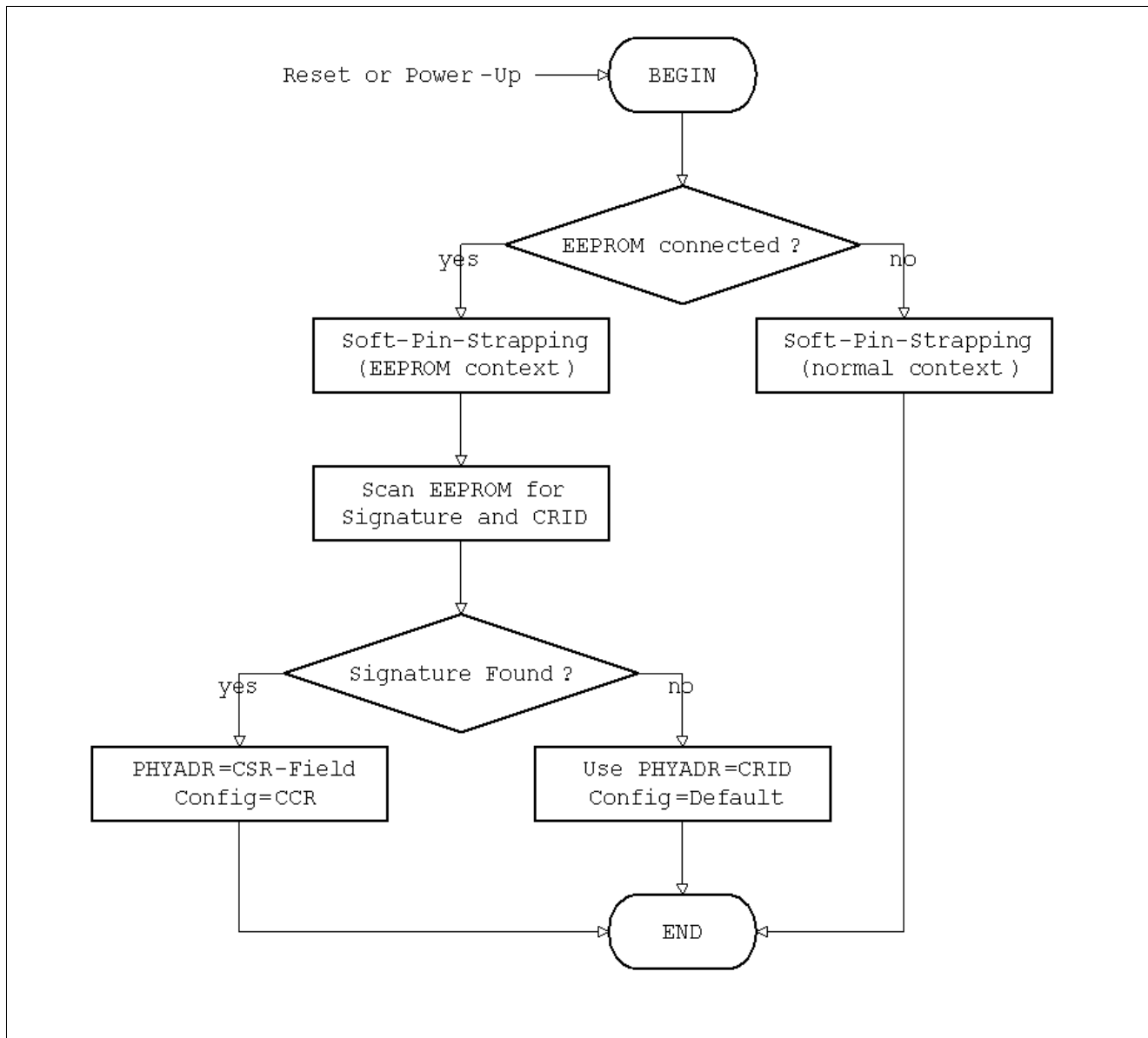


Figure 10 Overview of the Configuration Flow

3.4.1 Configuration of GPY111 via Pin-Strapping

This section describes the configuration of the GPY111 by means of pin-strapping. The limited pin count of the device means that reserving enough pins to encode all the configuration bits (by simply pulling these pins to V_{DDP} or V_{SS} in order to encode a logic one or zero respectively) is not a feasible option. Instead, the device supports soft pin-strapping using external resistors and capacitors¹⁾.

Using this technology, an entire bit vector can be read on one pin, instead of just a single configuration bit. The content of the bit vector is determined by the component value of the pull-down resistor or capacitance used. The component value of this resistor is measured by the GPY111 shortly after reset.

A schematic of the required external circuitry is shown in [Figure 11](#).

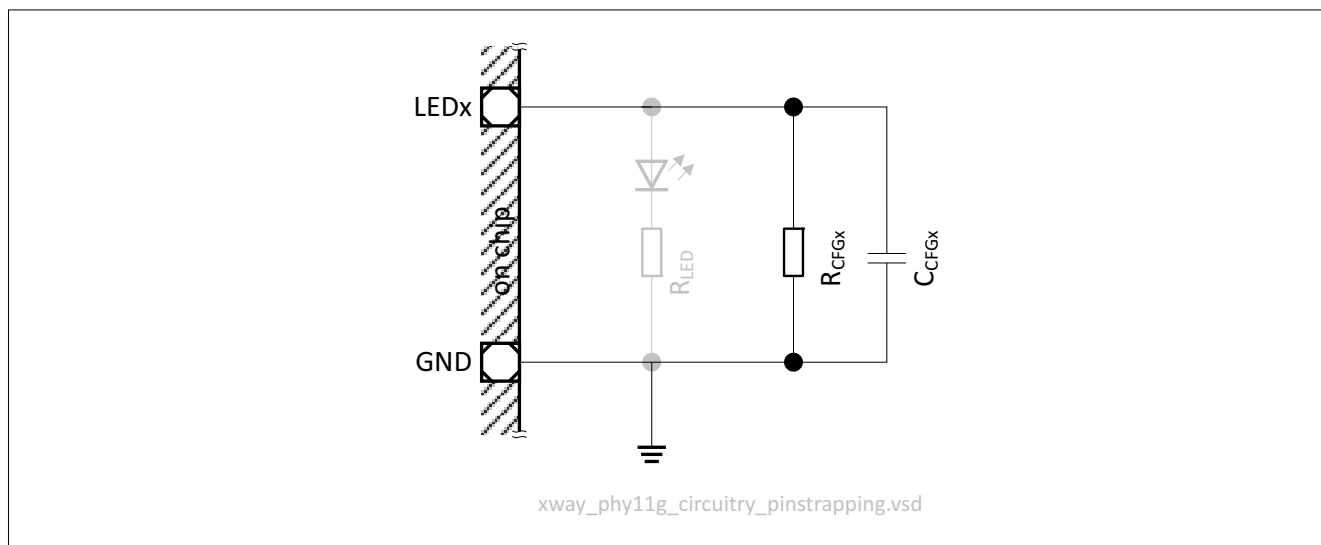


Figure 11 Soft Pin-Strapping External Circuitry

As shown in the figure, a further saving in pin count is achieved by sharing the pins used to drive LEDs (LEDx) with the pin-strapping configuration. The choice of soft pin-strapping configuration component values is such that normal LED operation is left unaffected. The LED components are shown in gray in [Figure 11](#). Note that the pin-strapping passive components weakly tie the LEDx pin to the chip's ground. More details on the external circuitry for using LEDs can be found in [Chapter 3.4.4](#).

A 4-bit vector is encoded by the appropriate choice of component values. The relationship between component values and the soft pin-strapping bit vector is shown in [Table 15](#).

1) The encoding of soft pin-strappings is such that the use of external capacitors is rarely needed.

Table 15 Soft Pin-Strapping: Mapping of Pull-Down Capacitance/Resistor Values to Configuration Bits

Capacitance Value ¹⁾	Resistor Value ²⁾	Soft Pin-Strapping Configuration Bit Vector CBV[3:0]			
		CBV[3]	CBV[2]	CBV[1]	CBV[0]
Not mounted, 0 nF	11.00 kΩ	0 _B	0 _B	0 _B	0 _B
	8.66 kΩ	0 _B	0 _B	0 _B	1 _B
	6.81 kΩ	0 _B	0 _B	1 _B	0 _B
	5.23 kΩ	0 _B	0 _B	1 _B	1 _B
	3.92 kΩ	0 _B	1 _B	0 _B	0 _B
	2.74 kΩ	0 _B	1 _B	0 _B	1 _B
	1.78 kΩ	0 _B	1 _B	1 _B	0 _B
	0.91 kΩ	0 _B	1 _B	1 _B	1 _B
Mounted, 100 nF	11.00 kΩ	1 _B	0 _B	0 _B	0 _B
	8.66 kΩ	1 _B	0 _B	0 _B	1 _B
	6.81 kΩ	1 _B	0 _B	1 _B	0 _B
	5.23 kΩ	1 _B	0 _B	1 _B	1 _B
	3.92 kΩ	1 _B	1 _B	0 _B	0 _B
	2.74 kΩ	1 _B	1 _B	0 _B	1 _B
	1.78 kΩ	1 _B	1 _B	1 _B	0 _B
	0.91 kΩ	1 _B	1 _B	1 _B	1 _B

- 1) A maximum tolerance of 10% on temperature and aging must be guaranteed. Ceramic-type capacitors are suggested.
- 2) A maximum tolerance of 1% on temperature and aging must be guaranteed. Resistances are taken from the E96 series.

The soft pin-strapping configuration is read from all three LED pins after device reset. It is possible to encode a total of 12 information bits. [Table 16](#) outlines the mapping of bits to the supported pin-strapping device parameters. In this table, each row represents a bit vector read from one of the configuration pins. Each column corresponds to a bit position in the configuration bit vector. Note that this table is only valid in the case that no EEPROM is connected to the GPY111. If a configuration EEPROM is connected, the soft pin-strapping device parameters are mapped to different functions, as described in [Table 18](#). [Chapter 3.4.2](#) gives more details on EEPROM-based device configuration.

Table 16 Mapping of Configuration Pins/Bits to Device Parameters (No EEPROM Connected)

Configuration Pin	CBV[3:0] associated by resistor value according to Table 15			
	CBV[3]	CBV[2]	CBV[1]	CBV[0]
LED0	MDIOADR[3]	MDIOADR[2]	MDIOADR[1]	MDIOADR[0]
LED1	MDIOADR[4]	MODE[1]	MODE[0]	FLOW
LED2	CONF[1]	CONF[0]	ANEG[1]	ANEG[0]

The functions of the device parameters mapped in [Table 16](#) are described in [Table 17](#).

Functional Description

Table 17 Functions of Device Parameters Controlled by Soft Pin-Strapping (No EEPROM Connected)

Device Parameter	Function
MDIOADR[4:0]	Sets the MDIO PHY address to which the GPY111 responds during MDIO transactions.
FLOW	Specifies the signal flow of the GPY111. 0 _B Copper MAC interface to twisted-pair mode 1 _B Converter converts fiber (1000BASE-X, SerDes) to twisted pair
MODE[1:0]	Configures the functional mode of the GPY111. The meaning of these bits depends on the FLOW setting. FLOW = Copper: 00 _B RGMII - the MAC connects to the GPY111 via RGMII 01 _B SGMII - the MAC connects to the GPY111 via SGMII 10 _B RMII - the MAC connects to the GPY111 via RMII 11 _B reserved FLOW = Converter: 00 _B X2T1000 - convert 1000BASE-X to 1000BASE-T 01 _B X2T1000A - convert 1000BASE-X (with ANEG) to 1000BASE-T 10 _B reserved 11 _B reserved
CONF[1:0]	Used to specify the transmit and receive timing skew in the RGMII mode using the integrated delay generation on TX_CLK/RX_CLK. The meaning of these bits depends on the FLOW setting. ¹⁾ FLOW = Copper: X0 _B RGMII_TXSKEW_1N5 - Transmit timing skew is 1.5 ns X1 _B RGMII_TXSKEW_0N0 - Transmit timing skew is 0.0 ns 0X _B RGMII_RXSKEW_1N5 - Receive timing skew is 1.5 ns 1X _B RGMII_RXSKEW_0N0 - Receive timing skew is 0.0 ns
ANEG[1:0]	Configures the auto-negotiation behavior of the GPY111. The meaning of these bits depends on the FLOW setting. FLOW = Copper: 00 _B DEFAULT - advertise 10/100/1000 Mbit/s in both full and half duplex 01 _B FASTHDX - advertise 10/100 Mbit/s in half duplex and 1000 Mbit/s in both full and half duplex 10 _B GIGAONLY - advertise only 1000 Mbit/s in both full and half duplex 11 _B FASTONLY - advertise only 10/100 Mbit/s in both full and half duplex FLOW = Converter: 00 _B reserved 01 _B reserved 10 _B reserved 11 _B reserved

1) The initial duplex mode is determined by the default value of MDIO .STD .CTRL .DPLX.

Table 18 Mapping of Configuration Pins/Bits to Device Parameters (EEPROM is Connected)

Configuration Pin	CBV[3:0] associated by resistor value according to Table 15			
	BV[3]	BV[2]	BV[1]	BV[0]
LED0	0 _B	SPEED[1]	SPEED[0]	ADRMODE
LED1	SIZE[1]	DEVADR[2]	DEVADR[1]	DEVADR[0]
LED2	SIZE[0]	CRID[2]	CRID[1]	CRID[0]

The functions of the device parameters mapped in [Table 18](#) are defined in [Table 19](#).

Table 19 Functions of Device Parameters controlled by Soft Pin-Strapping (EEPROM is Connected)

Device Parameter	Function
ADRMODE	<p>Specifies the EEPROM Addressing Mode</p> <p>0_B 11-bit EEPROM addressing mode (see also Chapter 3.4.2.4.1)</p> <p>1_B 16-bit EEPROM Addressing Mode (see also Chapter 3.4.2.4.2)</p>
DEVADR[2:0]	<p>Specifies the EEPROM Device Address</p> <p>The device address can be specified in case multiple EEPROM devices are connected to the same I²C bus. The valid mapping of device address bits into the frame is specific to the ADRMODE (see Chapter 3.4.2.4 for more details). In general, the DEVADR bits are mapped MSB-aligned into bits 3:1 of the I²C instruction field. Note that some larger devices in 11-bit mode also use these bits for internal addressing. The GPY111 supports this feature, meaning that the DEVADR is OR-combined with the corresponding memory address bits. It is important to apply logic zeros wherever this overlap is present. In 11-bit addressing mode there are overlays for EEPROMs with a capacity larger than 4 kb.</p>
CRID[2:0]	<p>Specifies the Configuration Record ID</p> <p>The configuration record ID can be specified in case multiple PHYs source information from an EEPROM device, in which case this contains multiple configuration record ID entries. The CRID is part of the configuration record ID header, allowing for storage of one distinct record for each PHY accessing the EEPROM (see Chapter 3.4.2.4 for more details). Note that in case the CRID is not found in the EEPROM, the GPY111 uses the specified CRID as the MDIO address, with the two MSBs set to zero.</p>

Table 19 Functions of Device Parameters controlled by Soft Pin-Strapping (EEPROM is Connected)

Device Parameter	Function
SPEED[1:0]	<p>Specifies the EEPROM Access Speed</p> <p>00_B STANDARD - EEPROM is accessed at $F_{SCL} = 100$ kHz serial clock speed</p> <p>10_B FASTMODE - EEPROM is accessed at $F_{SCL} = 400$ kHz serial clock speed</p> <p>01_B MEGASPEED - EEPROM is accessed at $F_{SCL} = 1$ MHz serial clock speed</p> <p>11_B HIGHSPEED - EEPROM is accessed at $F_{SCL} = 3.4$ MHz serial clock speed</p>
SIZE[1:0]	<p>Specifies the EEPROM Scan Size</p> <p>This parameter defines the EEPROM scan size, which is the address range of the EEPROM in which the configuration record (more details in Chapter 3.4.2.3) is searched for during boot-up or after reset of the GPY111. The physical size of the EEPROM is less important. The configuration signature record may contain pointer addresses to an address beyond the limit specified here. The scan starts at EEPROM address 0000_H. In order to yield a constant worst-case scan time over all supported EEPROM scan sizes, the address increment for the EEPROM configuration record scan is adjusted automatically, depending on the scan size, as follows:</p> <p>ADRMODE = 0_B:</p> <p>SIZE[1:0] = 00_B <2 kb - scan up to 256 byte-addresses in steps of 32</p> <p>SIZE[1:0] = 01_B 4 kb - scan up to 512 byte-addresses in steps of 64</p> <p>SIZE[1:0] = 10_B 8 kb - scan up to 1024 byte-addresses in steps of 128</p> <p>SIZE[1:0] = 11_B 16 kb - scan up to 2048 byte-addresses in steps of 256</p> <p>ADRMODE = 1_B:</p> <p>SIZE[1:0] = 00_B 32 kb - scan up to 4096 byte-addresses in steps of 512</p> <p>SIZE[1:0] = 01_B 64 kb - scan up to 8192 byte-addresses in steps of 1024</p> <p>SIZE[1:0] = 10_B 128 kb - scan up to 16384 byte-addresses in steps of 2048</p> <p>SIZE[1:0] = 11_B >256 kb - scan up to 32768 byte-addresses in steps of 4096</p>

3.4.2 Configuration of GPY111 via External EEPROM

This chapter describes the operation of the GPY111 with an externally connected EEPROM.

3.4.2.1 EEPROM Applications

Connection of an external EEPROM is used to enable the implementation of systems without any higher-level management entity to drive the control and configuration information on the MDIO interface (see [Chapter 3.4.3](#)). In addition, it is not possible to completely configure GPY111 functionality using only the soft pin-strapping interface (see [Chapter 3.4.1](#)). In such applications, the external EEPROM provides a cheap and efficient solution for storing all the configuration information that needs to be loaded by the GPY111 during startup.

The GPY111 supports various EEPROM devices by means of its I²C interface (see [Chapter 2.2.5](#), pins SDA and SCL). The devices supported are listed in [Table 20](#). Devices from other silicon vendors that are not listed in [Table 20](#) and which support I²C may also be supported, but are not tested by MaxLinear.

Table 20 Supported EEPROM Devices

Vendor	Device	Remark
AMTEL	AT24Cxx	Proper size selection by customers
CATALYST	CAT24Cxx	Proper size selection by customers
STM	M24Cxx	Proper size selection by customers

In the simplest application, the EEPROM is only used to store configuration information of the GPY111. In particular, this contains the defaults for the internal MDIO registers. This configuration is loaded by the GPY111 directly after reset or power-up if an EEPROM has been detected. In order to support the sharing of a larger EEPROM device by several master devices, for example if an additional microcontroller also loads its configuration from the same device, the GPY111 scans the EEPROM content for a particular signature that corresponds to its configuration record. The GPY111 loads this configuration record and overrides its internal defaults. A detailed description of the configuration record is given in [Chapter 3.4.2.3](#).

A more sophisticated type of application is used to enhance the functionality of the GPY111 by loading embedded firmware from the external EEPROM. The integrated device controller on the GPY111 is able to execute code from the external EEPROM. In order to reduce the load on the I²C interface, this code is loaded into the GPY111 before execution. It is possible to change the existing functionality by modifying parts of the integrated firmware, as well as to extend its functionality by adding new firmware blocks. Dedicated support from system vendor is required for this type of feature. The externally embedded firmware is also stored within the configuration record. Further details are specified in [Chapter 3.4.2.3](#).

3.4.2.2 EEPROM Detection

The GPY111 automatically detects whether or not an external EEPROM is connected, by sensing the SDA pin during startup. Since the SDA pin is equipped with an internal pull-up resistor to comply with the I²C specification, it is assumed that an EEPROM is connected when this pin is sensed as being at logic 1_B after reset. In case no external EEPROM is connected, it is required that this pin be pulled to ground, and thus sensed internally as being at 0_B after reset.

Attention: The SDA pin must not be left floating!

In case an EEPROM has been detected, the soft pin-strapping pins are used to properly configure the EEPROM. This includes information about speed, address mode, and slave device address. Refer to [Chapter 3.4.1](#) for more information.

If the GPY111 evaluates the SDA pin and detects an EEPROM device, it tries to access the EEPROM device by initiating a single byte read. If the device is present and understands the I²C format, it will acknowledge the read instruction after a certain amount of time. The GPY111 waits for this acknowledgment, and if none is received

before a time-out, the attempt to access the EEPROM is aborted and no compatible device is assumed to be connected to the I²C interface.

However, if the acknowledgment is successfully received, the GPY111 starts scanning the EEPROM content for a specific signature at the beginning of the Configuration Signature Record (CSR). The setup of the CSR is specified in [Table 21](#). The signature is a sequence of predefined bytes: $EE_H, C0_H, DE_H, 1F_H$. The GPY111 scans the entire EEPROM at address locations of $k * STEP$ within the range of the predefined EEPROM size (see $SIZE[3:0]$ in [Chapter 3.4.1, Table 18](#)). The STEP size is equal to $SIZE / 64$, so that for a 1 kb EEPROM the STEP size is $STEP = 8$ bytes. If no signature is found, the GPY111 aborts the search and skips any further EEPROM read operations. If a signature is detected, the GPY111 reads the CSR. Note that the CSR contains the PHYADR that is used for MDIO communication (see [Chapter 3.4.3.1](#)). The MDIO address is used only after the CSR has been successfully read by the GPY111. Before this, the MDIO address is by default at logic 00000_B .

3.4.2.3 EEPROM Content

[Table 21](#) depicts the Configuration Signature Record (CSR), containing the signature as well as several addresses. The signature is used to identify a part of the EEPROM content to be dedicated to the GPY111, in case several different devices share the same memory. The subsequent byte contains the CRID that is dedicated to a single GPY111 in case multiple GPY111 devices retrieve configuration data from the same EEPROM. The subsequent fields are only evaluated if the CSR and the configuration record ID match. The CRID must match the value specified by the pin-strapping configuration (see also [Chapter 3.4.1](#)). The first address contained in the CSR is the PHYADR used to address the MDIO messages to the correct device, in case the MDIO is shared. More details can be found in [Chapter 3.4.3.1](#). If no CSR is found during the scan process, the MDIO address is set internally to $PHYADR[4:3] = 00_B$, $PHYADR[2:0] = CRID[2:0]$. The subsequent field contains the Configuration Content Record (CCR) base address (CCR_ADR), which is a 16-bit pointer address pointing to the start address location of the CCR on the same EEPROM, as defined in [Table 22](#). In case no CCR exists, the CCR_ADR must be set to $FFFF_H$. The 2 bytes following the CCR_ADR field are reserved for internal use and must be set to $FFFF_H$.

Table 21 Configuration Signature Record (CSR)

Address ¹⁾	Content								Comment
	7	6	5	4	3	2	1	0	
$k * STEP + 0$	1	1	1	0	1	1	1	0	Configuration Record Signature: $EE_H, C0_H, DE_H, 1F_H$
$k * STEP + 1$	1	1	0	0	0	0	0	0	
$k * STEP + 2$	1	1	0	1	1	1	1	0	
$k * STEP + 3$	0	0	0	1	1	1	1	1	
$k * STEP + 4$	0	0	0	0	0	CRID[2:0]			Configuration record ID
$k * STEP + 5$	0	0	0	PHYADR[4:0]			PHY MDIO address		
$k * STEP + 6$	CCR_ADR[15:8]								Configuration Content Record (CCR) base address. This vector must be set to $CCR_ADR = FFFF_H$ if no CCR exists.
$k * STEP + 7$	CCR_ADR[7:0]								
$k * STEP + 8$	1	1	1	1	1	1	1	1	Reserved for future use.
$k * STEP + 9$	1	1	1	1	1	1	1	1	Reserved for future use.

1) This is the byte-wise EEPROM address. The scheme is independent of the address mode used (11/16)

Table 22 Configuration Content Record

Address ¹⁾	Content								Comment
	7	6	5	4	3	2	1	0	
CCR_ADR + 0	NOCE[7:0]								Number of configuration entries. A value of 00 _H corresponds to 1 entry. A value of FF _H corresponds to 256 entries.
CCR_ADR + 1	ADDR(1)[7:0]								Address (MDIO address) and configuration data word (MDIO data) for entry 1
CCR_ADR + 2	DATA(1)[15:8]								
CCR_ADR + 3	DATA(1)[7:0]								
CCR_ADR + 4	ADDR(2)[7:0]								Address (MDIO address) and configuration data word (MDIO data) for entry 2
CCR_ADR + 5	DATA(2)[15:8]								
CCR_ADR + 6	DATA(2)[7:0]								
CCR_ADR +
CCR_ADR + 3 * NOCE + 1	ADDR(NOCE)[7:0]								Address (MDIO address) and configuration data word (MDIO data) for entry #NOCE
CCR_ADR + 3 * NOCE + 2	DATA(NOCE)[15:8]								
CCR_ADR + 3 * NOCE + 3	DATA(NOCE)[7:0]								

1) This is the byte-wise EEPROM address. The scheme is independent of the address mode used (11/16)

3.4.2.4 EEPROM Frame Formats

This chapter specifies the EEPROM frame formats supported. In particular, a subset of the I²C protocol is represented which is supported by most of the EEPROM devices on the market. In order to comply with almost all EEPROM devices currently available on the market, and in particular with larger sizes, two addressing modes are supported: 11-bit addressing and 16-bit addressing. Note that this addressing relates to the EEPROM internal data addressing and not to the I²C device address mode. For the latter, the GPY111 only supports the standard 7-bit device address mode. In compliance with most of the available EEPROM devices, the default value of the device address is DADR[7:1] = 1010XXX_B. The last three bits are configurable using the soft pin-strappings (see [Chapter 3.4.1](#)), which also contain a configuration bit for the addressing mode. The following sections specify the frame formats for both addressing modes. Mixed addressing mode operation is not supported by the GPY111.

3.4.2.4.1 Frame Formats in 11-Bit Addressing Mode

This addressing mode is used for the smallest available EEPROM devices. These devices are usually available in sizes ranging from 1 kb to 16 kb. Since the EEPROM devices are organized in 8-bit words, this requires between 7 and 11 address bits. However, only one address byte is defined following the I²C instruction. Therefore, for larger EEPROM configurations, it is common practice to use up to 3 LSBs of the device address within the I²C instruction to map these missing 3 bits. This is also illustrated in the frame structures specified in this chapter. In order to clarify this further, [Table 23](#) lists the address mappings for all supported EEPROM sizes.

Table 23 Address Bit Mapping in 11-Bit Addressing Mode

EEPROM Size	I ² C Instruction Bit							Memory Content Address Byte						
	7	6	5	4	3	2	1	7	6	5	4	3	2	1
1 kb	1	0	1	0	DADR[2:0]		0	ADR[6:0]						
2 kb					DADR[2:0]			ADR[7:0]						
4 kb					DADR[2:1]		ADR[8:0]							
8 kb					[2] ¹⁾	ADR[9:0]								
16 kb					ADR[10:0]									

1) DADR[2]

Figure 12 shows the 3-byte frame format for a single-byte write operation to a random address on the EEPROM. For maximum compatibility, this is the only write frame format supported. Following a start bit (a falling edge on SDA while SCL is active high), the I²C instruction is sent, containing the default device address DADR[7:1] = 1010XXX_B that is applicable to almost all EEPROM devices available. The last bit in the instruction is a read/write bit which is set to low to indicate a write transaction.

The instruction byte is followed by an acknowledgment driven by the EEPROM. Following this acknowledgment, the GPY111 drives the memory address byte ADR[7:0], which also needs to be acknowledged by the EEPROM.

The last of the three bytes in the write operation frame contains the data byte to be written, DATA[7:0]. After a successful write operation, this byte is acknowledged by the EEPROM and the GPY111 ends the write operation frame with a stop bit.

In accordance with I²C, this stop bit is a rising edge on SDA while SCL is active high.

Table 23 showed how some devices exceed the address byte and therefore have to use parts of the device address. This is indicated in **Figure 12** by showing the assignment of the ADR[10:8] bits.

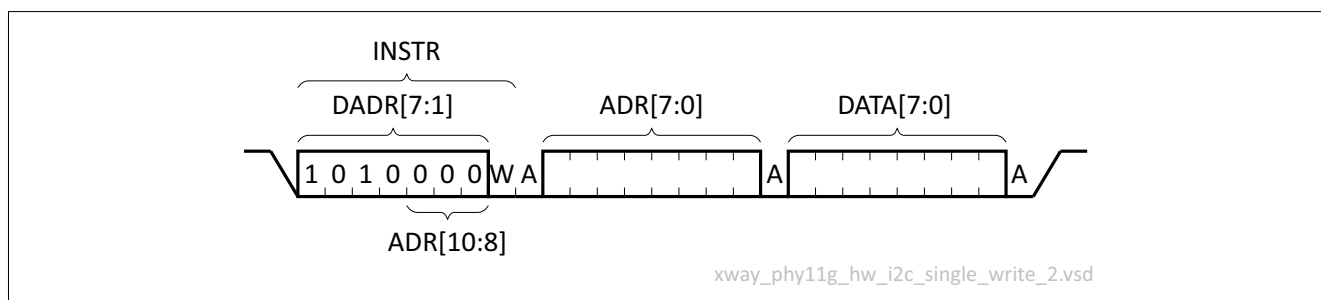


Figure 12 Timing Diagram for a Random Address Single Byte Write

Figure 13 shows a read frame similar to the write frame operation illustrated in **Figure 12**. In general, a read frame starts with a dummy write frame which lasts up to the write address. This is required to set the current address on the EEPROM. After acknowledgment of the address byte ADR[7:0], the GPY111 terminates the current dummy write by setting a new start bit. The instruction byte is repeated, except that the read/write bit is now set to active high to indicate that this instruction corresponds to a read access. Following acknowledgment of the read request, the EEPROM drives the desired read data byte DATA[7:0]. For a single read operation, the GPY111 does not acknowledge this byte, indicating that no further read is required. The read access is completed by the GPY111 driving the stop bit to SDA.

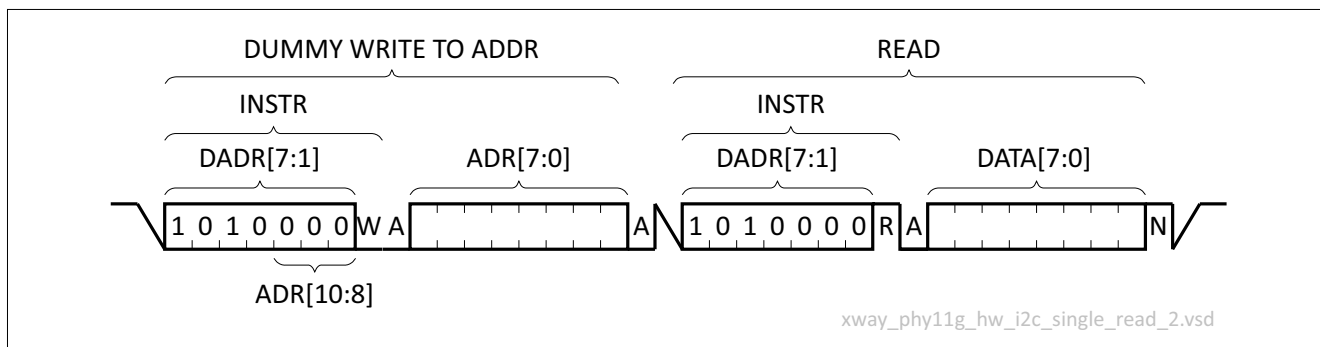


Figure 13 Timing Diagram for a Random Address Single Byte Read

A single-byte random read as depicted in [Figure 13](#) can easily be extended to a burst read. [Figure 14](#) shows the supported burst read frame structure. Note that the initialization of a burst-read access is the same as for a single-byte read. Therefore, the figure only shows the protocol sequence starting from the read instruction. Subsequent bytes are read from incrementing address locations, for as long as the GPY111 keeps acknowledging the read bytes driven by the EEPROM. The burst read access stops when the GPY111 does not acknowledge a read byte and instead issues the stop bit. The GPY111 uses the burst read operation only for the external firmware load feature. Normal configuration EEPROM-access operations are done using single-byte read/write operations.

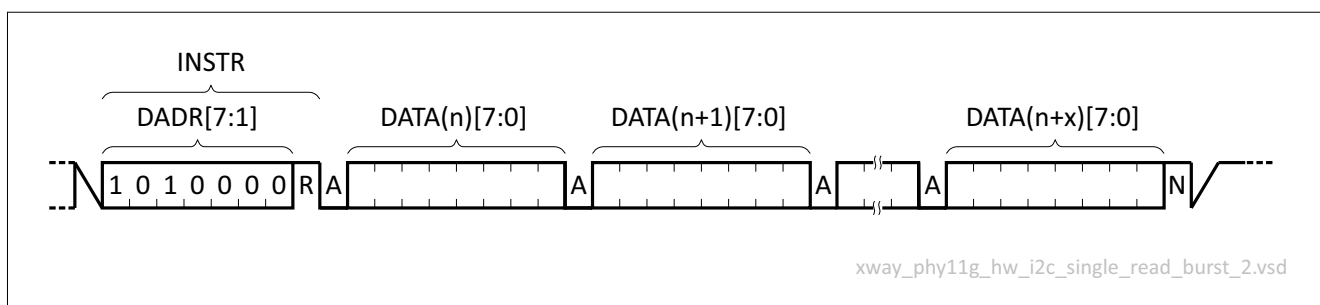


Figure 14 Timing Diagram for a Burst Read

3.4.2.4.2 Frame Formats in 16-Bit Addressing Mode

This addressing mode is used for the larger available EEPROM devices. These devices are usually available in sizes ranging from 32 kb up to 512 kb. Since the EEPROM devices are organized in 8-bit words, this requires 12 to 16 address bits. The larger storage space can be used for customized firmware code or for sharing among several devices by using I²C functionality. In contrast to the 11-bit addressing mode, the 16-bit addressing mode uses two bytes following the I²C instruction to encode the memory address. The three LSBs of the device address are available for selecting one out of eight EEPROM devices attached to the same I²C serial bus. This device address is configurable using the soft pin-strappings as described in [Chapter 3.4.1](#). In order to clarify this further, [Table 24](#) lists the address mappings for all supported EEPROM sizes.

Table 24 Address Bit Mapping in 16-Bit Addressing Mode

EEPROM Size	I ² C Instruction Bit							1 st Memory Content Address Byte								2 nd Memory Content Address Byte							
	7	6	5	4	3	2	1	7	6	5	4	3	2	1	0	7	6	5	4	3	2	1	0
32 kb	1	0	1	0	X	X	X	0	0	0	0	ADR[11:0]											
64 kb					X	X	X	0	0	0	ADR[12:0]												
128 kb					X	X	X	0	0	ADR[13:0]													
256 kb					X	X	X	0	ADR[14:0]														
512 kb					X	X	X	ADR[15:0]															

Figure 15 shows the 4-byte frame format for a single-byte write operation to a random address on the EEPROM. For maximum compatibility, this is the only write frame format supported. Following a start bit (a falling edge on SDA while SCL is active high), the I²C instruction is sent, containing the default device address DADR[7:1] = 1010XXX_B that is applicable to almost all EEPROM devices available.

The last bit in the instruction is a read/write bit which is set to low to indicate a write transaction.

The instruction byte is followed by an acknowledgment driven by the EEPROM. Following this acknowledgment, the GPY111 drives the memory address bytes ADR[15:8] and ADR[7:0], both of which are also separately acknowledged by the EEPROM.

The last of the four bytes in the write operation frame contains the data byte to be written, DATA[7:0]. After a successful write operation, this byte is acknowledged by the EEPROM, and the GPY111 ends the write frame with a stop bit (a rising edge on SDA while SCL is active high).

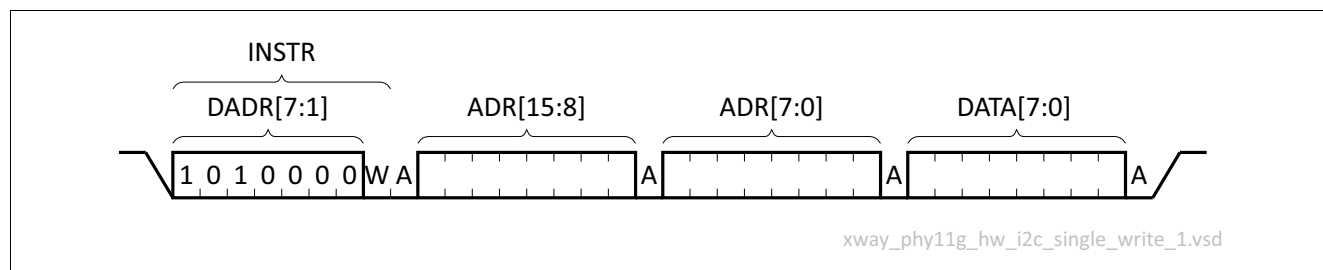


Figure 15 Timing Diagram for a Random Address Single Byte Write

Figure 16 shows a read frame similar to the write frame protocol illustrated in **Figure 15**. In general a read frame starts with a dummy write frame which lasts up to the write address. This is required to set the current address on the EEPROM. After acknowledgment of the address byte ADR[7:0], the GPY111 terminates the current dummy write by setting a new start bit. The instruction byte is repeated, except that the read/write bit is now set to active high to indicate that this instruction corresponds to a read access. Following acknowledgment of the read request, the EEPROM drives the desired read data byte DATA[7:0]. For a single read operation, the GPY111 does not acknowledge this byte, indicating that no further read is required. The read access is completed by the GPY111 driving the stop bit to SDA.

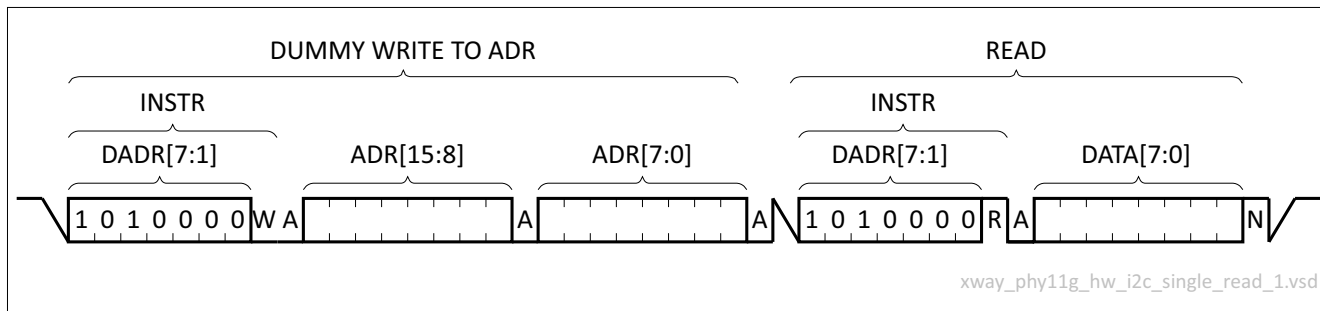


Figure 16 Timing Diagram for a Random Address Single Byte Read

A single-byte random read as depicted in [Figure 16](#) can easily be extended to a burst read. [Figure 17](#) shows the supported burst read frame structure. Note that the initialization of a burst-read access is the same as for a single-byte read. Therefore, the figure only shows the protocol sequence starting from the read instruction. Subsequent bytes are read from incrementing address locations, for as long as the GPY111 keeps acknowledging the read bytes driven by the EEPROM. The burst read access stops when the GPY111 does not acknowledge a read byte and instead issues the stop bit. The GPY111 uses the burst read operation only for the external firmware load feature. Normal configuration EEPROM-access operations are done using single-byte read/write operations.

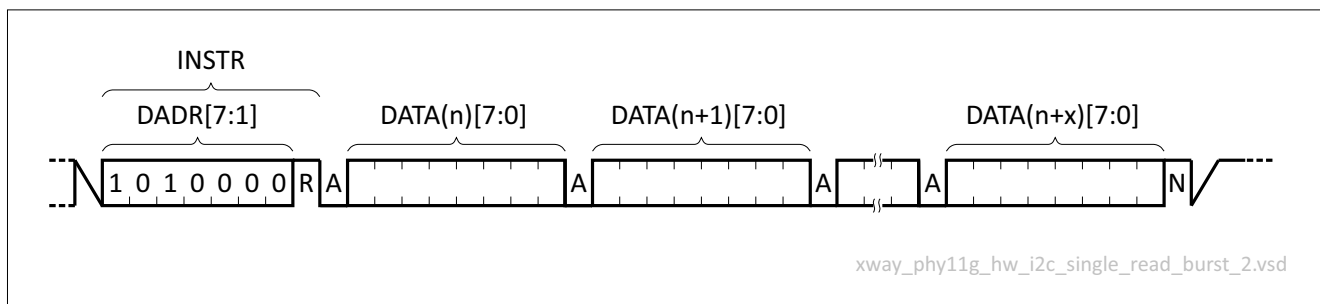


Figure 17 Timing Diagram for a Burst Read

3.4.2.4.3 EEPROM Access via MDIO

The GPY111 supports indirect access to the EEPROM via the MDIO interface. A special type of handshaking between the higher-level management entity and PHY is required for proper cycle-time arbitration. The flow charts in [Figure 18](#) and [Figure 19](#) illustrate this handshake mechanism for a write and a read cycle respectively. Note that only single-byte accesses are supported, as opposed to EEPROM burst-mode options, for better compatibility and simplicity. As can be seen from the flow charts, the first action before any operation is to check whether the EEPROM is busy or ready to use. This is done using the `PHY.EECTRL.EXEC` bit. This bit could still be set from a past write cycle or other internal means, preventing a current EEPROM access. Any access to the EEPROM is performed via MMD on device $1E_H$. The entire EEPROM is mapped onto this indirect MDIO addressable space (see also [Chapter 3.4.3.2](#)).

A write cycle is simply executed by setting address and write data in conjunction with the control bits. Once this is done, the GPY111 takes care of storing the byte into the EEPROM. A read cycle is similar, but after issuing a read access the higher-level management entity needs to wait until the data is read from the EEPROM. This is done by observing the `PHY.EECTRL.EXEC` (`PHY_EECTRL`) bit. After this, the read byte can be loaded from `STD.MMDDATA` (`STD_MMDDATA`).

Note that it would make sense to check on the availability of an external EEPROM using the `PHY.EECTRL.EEDET` bit. This is set to active when an external EEPROM has been detected by the GPY111.

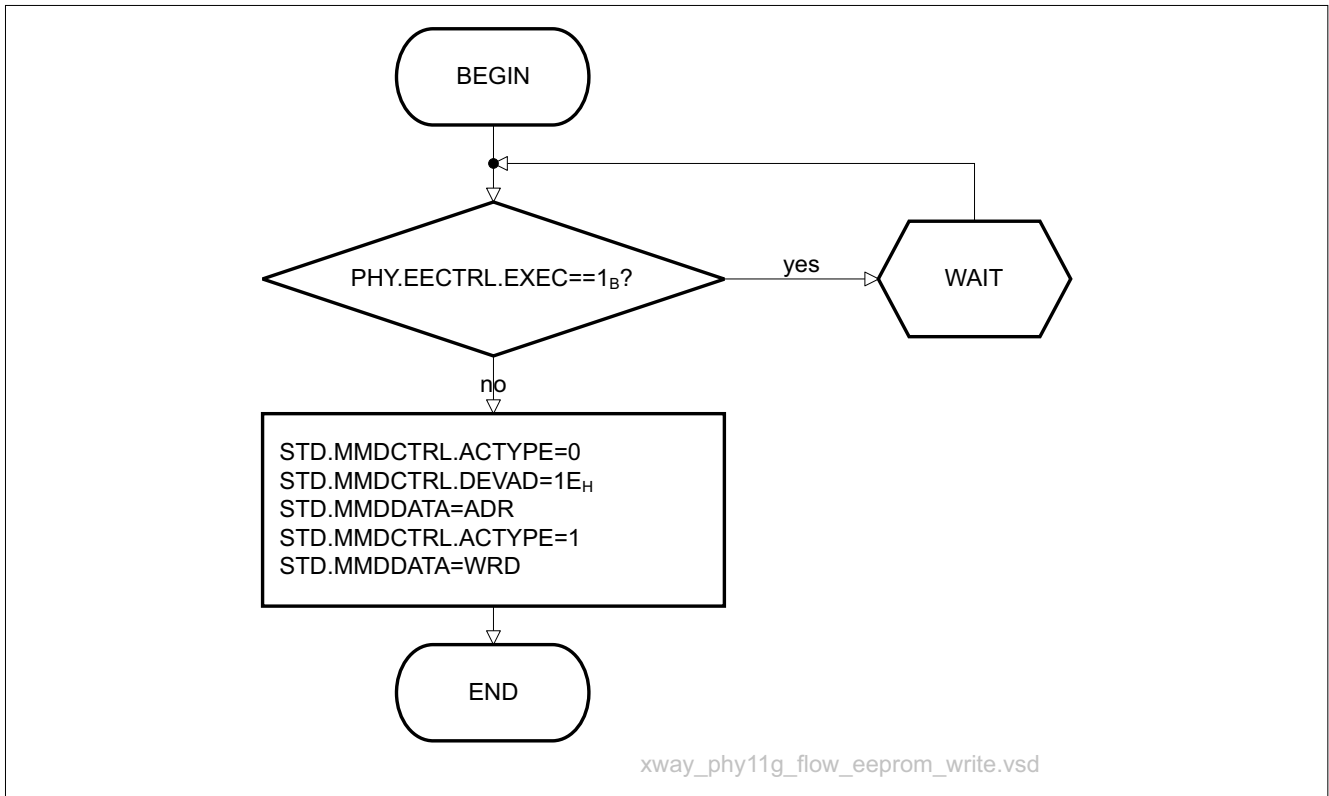


Figure 18 Flow-Chart for an Indirect EEPROM Write Cycle Via MDIO-MMD Access

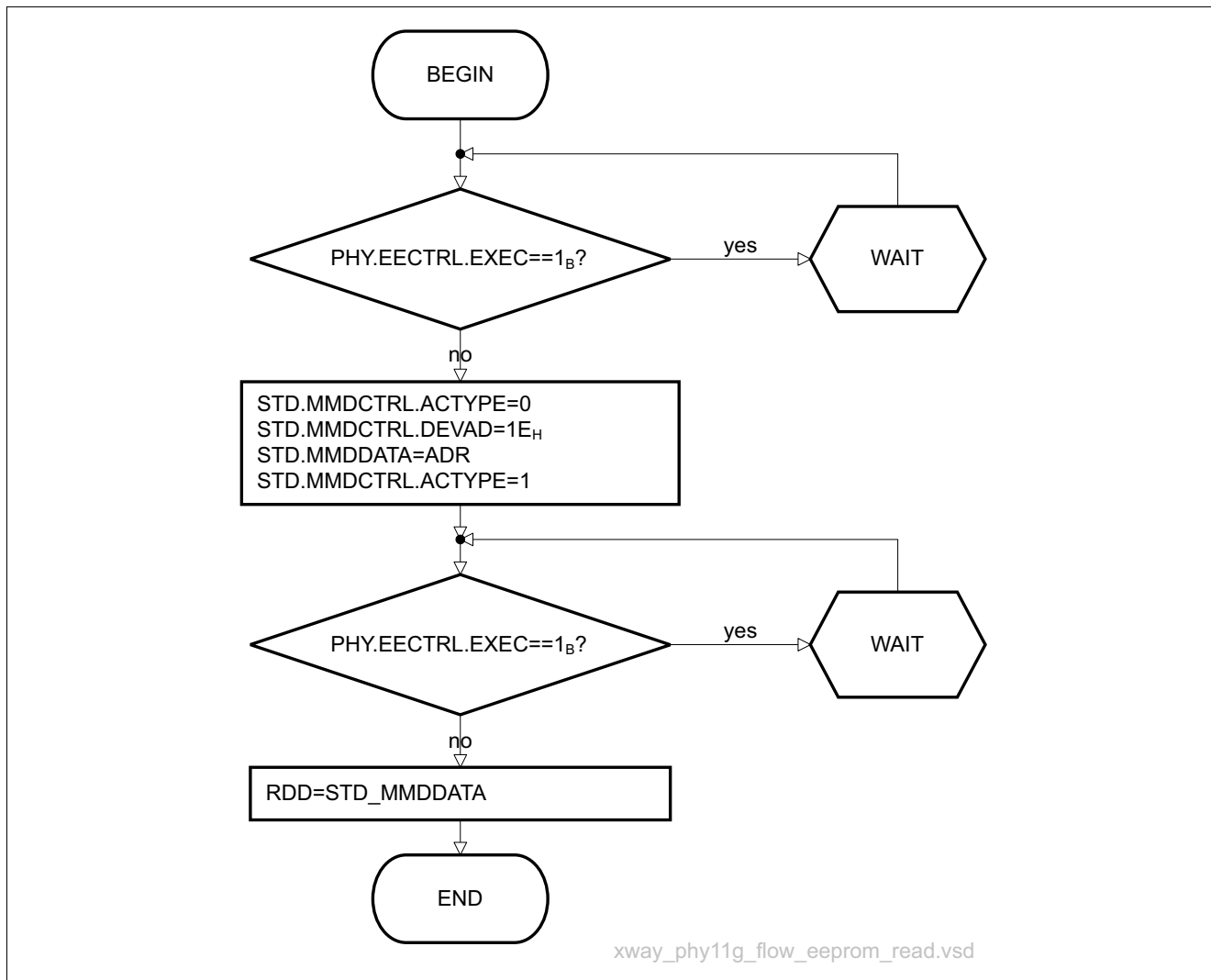


Figure 19 Flow-Chart for an Indirect EEPROM Read Cycle Via MDIO-MMD Access

3.4.3 Configuration and Control Via MDIO

If a higher-level management entity exists in the system, this can configure and control the GPY111 completely by means of the MDIO interface, according to IEEE 802.3 [1].

3.4.3.1 MDIO Interface

The GPY111 supports an MDIO interface according to IEEE 802.3 [1], giving a higher-level management entity control over internal functions. This control is provided by means of MDIO registers. The GPY111 provides the set of IEEE standard registers according to [1]. Additionally, extended register pages are supported. All registers are described in Chapter 4.

The MDIO interface is a serial interface using only 2 pins, which are named MDC and MDIO. See Chapter 2.2.5 for more information. The clock pin (MDC) is always driven by the higher-level management entity. The bi-directional signal (MDIO) carries the control information and is driven by both the higher-level management entity and the PHY, depending on whether a write or a read operation is being executed.

The MDIO communication between the higher-level management entity and PHY is organized in frames that are defined by IEEE 802.3 [1]. Figure 20 and Figure 21 illustrate the write and read frames respectively.

Chapter 6.6.5 defines the AC characteristics of this interface.

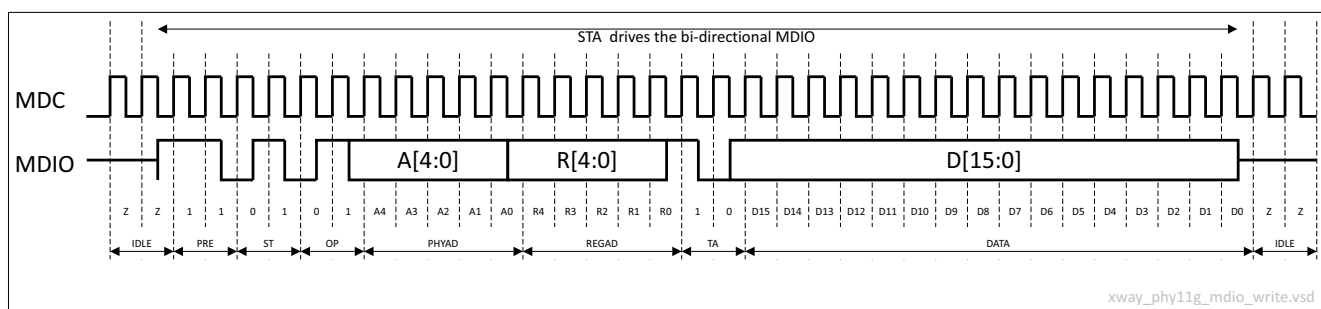


Figure 20 MDIO Write Frame

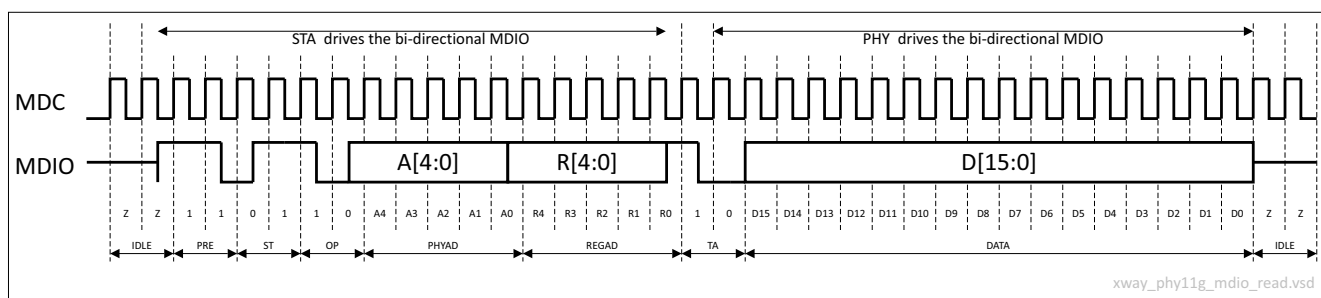


Figure 21 MDIO Read Frame

Note that the read operation requires the PHY to return the read data to the higher-level management entity. This implies that the driver of the MDIO signal is changed from being the higher-level management entity to being the PHY. In order to take this driving condition transition into account, a turn-around time is defined. The only period of time over which the PHY drives the MDIO signal is when returning the 16-bit read data value to the higher-level management entity.

Both frames consist of several fields which are explained in more detail in Table 25.

Table 25 Definition of MDIO Frame Components

Field	Field Long Name	Definition
IDLE	Idle Time	This state is entered by both the higher-level management entity and PHY when no transaction happens. In this state, all tristate drivers are inactive. The internal pull-up resistor of the MDIO pin on the GPY111 pulls the MDIO signal to logic one.
PRE	Preamble	The preamble is defined as a sequence of logic ones. Since this field of the frame is optional, the GPY111 does not require a preamble to be inserted. If inserted it can be of arbitrary length.
ST	Start of Frame	The ST field is required to determine a new frame start by means of a two-bit logic <01 _B > pattern.
OP	Operation Code	The operation code field indicates a read or write operation to the PHY by means of a two-bit logic <10 _B > or <01 _B > pattern respectively.
PHYAD	Physical Layer Address	The physical layer address field is used by the higher-level management entity to select one out of a maximum of 32 PHY devices. Each PHY needs to have a priori knowledge about its address. Chapter 3.4.1 describes how this address can be configured to an GPY111 device.
REGAD	Register Address	This field represents a vector of five bits which define the register address for one out of 32 registers in the MDIO address space. In the GPY111, this address space covers the standard IEEE 802.3 [1] registers plus extended and custom registers. Chapter 4 describes all register configurations.
TA	Turnaround	The turnaround is a two-bit time field that separates the DATA field from the others to avoid contention during read operations. During read transactions, the time duration of the first bit is used to ensure that both the higher-level management entity and the PHY disable their tristate drivers and that MDIO is in high impedance. The time duration of the second bit is used by the GPY111 to drive a logic zero.
DATA	Read/Write Data	The data field is 16 bits wide. The MSB is sent first and the LSB is sent last in both read and write transactions.

Attention: Consecutive MDIO accesses, especially if automated, are required to be spaced out in time to ensure that proper operation is maintained. It is recommended that the maximum rate of MDIO does not exceed 100 kHz.

3.4.3.2 MDIO Address Space

Configuration and control operations, as well as extraction of status information, can be handled via the MDIO interface. This interface allows for registers located in the MDIO address space to be read from and written to. The MDIO interface can only address up to 32 addresses. The first 16 addresses (from 00_H to 0F_H) are mostly defined by the IEEE 802.3 standard [1], and cannot be used for device-specific configuration. Only the last 16 addresses (from 10_H to 1F_H) are to be used. Since a range of 16 addresses is not sufficient to manage the GPY111, an indirect addressing scheme is used.

This scheme is depicted in **Figure 22**, which shows the layout of the MDIO address space looking from the higher-level management entity via the MDIO interface towards the PHY. As shown in the figure, the direct address region from 00_H to 0F_H holds all IEEE 802.3 standard [1] registers. The address range from 10_H to 1F_H spans an address range for PHY-specific registers that can be accessed directly via MDIO as well. The GPY111 address space is extended by means of an indirect memory access based on MMD registers. Note that this method is defined in

the IEEE 802.3 standard [1], in clause 22 and Annex 22D. It is used to access EEE registers as well as provide seamless access to a potentially externally-connected EEPROM and to all GPY111 internal registers. Note that access to internal registers is prohibited, except for the special addresses defined in Chapter 5.

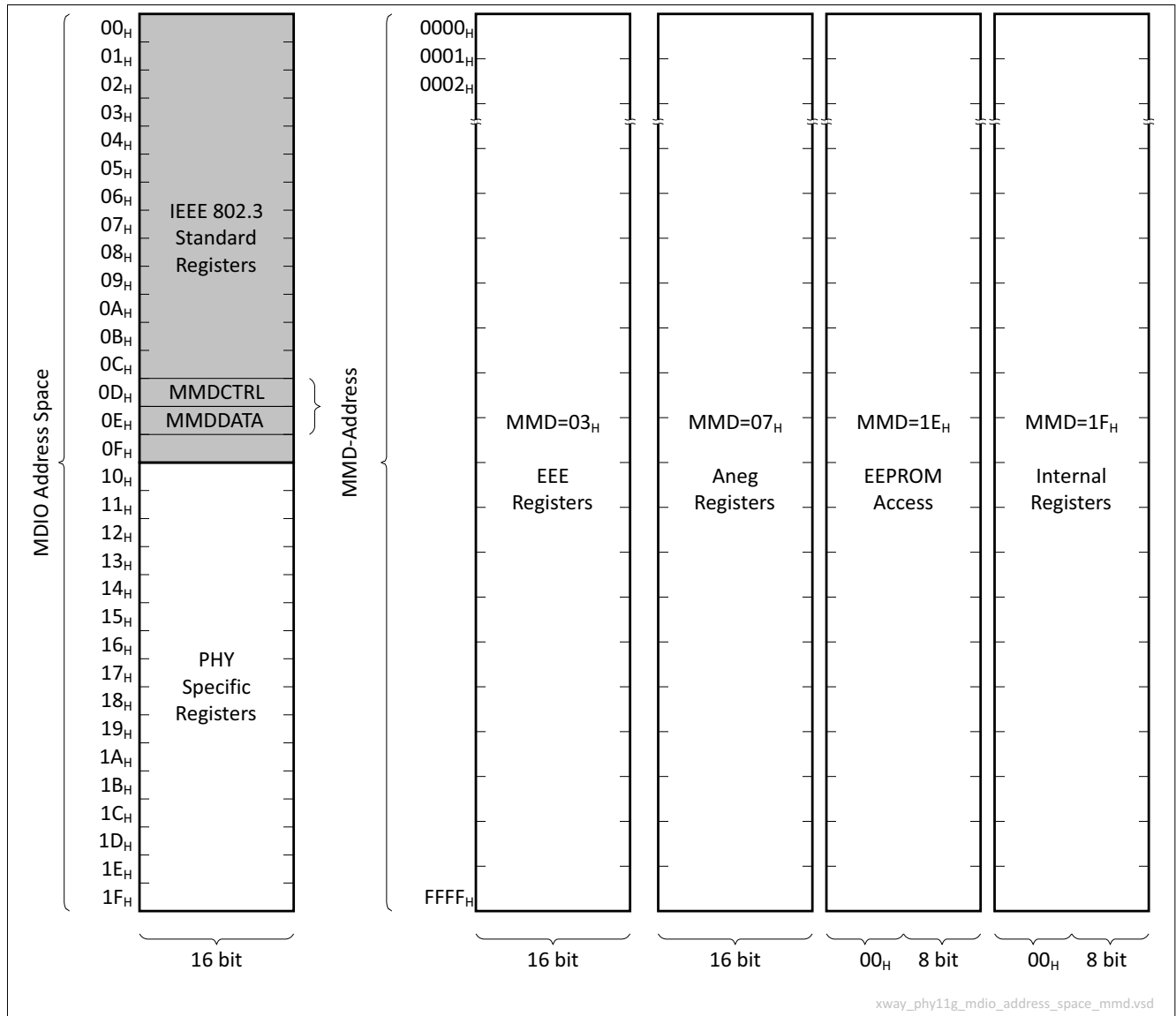


Figure 22 Layout of the MDIO Address Space

In order to simplify the software design, the most frequently used status and control registers are placed directly in the MDIO address range using the PHY-specific registers. Part of the functionality, for example EEE, is located in the MMD address range by standard definition. Some PHY-specific registers are located in the user-defined MMD addresses 1E_H and 1F_H. An overview of all pages is listed in Table 26.

Table 26 MDIO Indirect MMD Device Address Overview

MMD	MMD Name	Description
00 _H -02 _H	Unused	
03 _H	EEE	Contains some standard registers required for EEE operation
04 _H -06 _H	Unused	
07 _H	ANEG	Contains some standard registers required for EEE auto-negotiation operation
04 _H -06 _H	Unused	
1E _H	EEPROM	Allows seamless indirect access to externally connected (if present) EEPROM
1F _H	Internal	Allows seamless indirect access to PHY internal registers

3.4.3.3 MDIO Interrupt

The GPY111 allows for an interrupt to be driven to the management device. This interrupt is named MDINT, and can be used by the management device to get notification of pre-configured events. These events can be configured in the MDIO register MDIO.PHY.IMASK (PHY_IMASK), which allows for a mask to be set onto the event vector that can cause the MDIO interrupt to be asserted. The actual interrupt status is reported in the MDIO register MDIO.PHY.ISTAT (PHY_ISTAT). Note that, without any active mask bit in MDIO.PHY.IMASK (PHY_IMASK), the PHY will issue an interrupt after reset when it is ready to receive MDIO transfers.

Since there are many types of management devices, the interrupt polarity is not standardized. In order to be flexible and inter-operable with all types of management device IC, the MDINT pin of the GPY111 is in tristate when inactive. The active level of the MDINT pin can be customized by means of an external pull-up or pull-down resistor. If the MDINT polarity is active high, an external pull-down resistor must be connected to ground. Otherwise, if the MDINT polarity is active low, an external pull-up resistor must be connected to VDDP. After reset of the GPY111, the MDINT is tristated by default. During this time period, the GPY111 detects the target polarity of the MDINT by reading out the pull-up/down resistor. The external circuitry for the MDINT pin in an active-high and active-low state is depicted in Figure 23 and Figure 24 respectively.

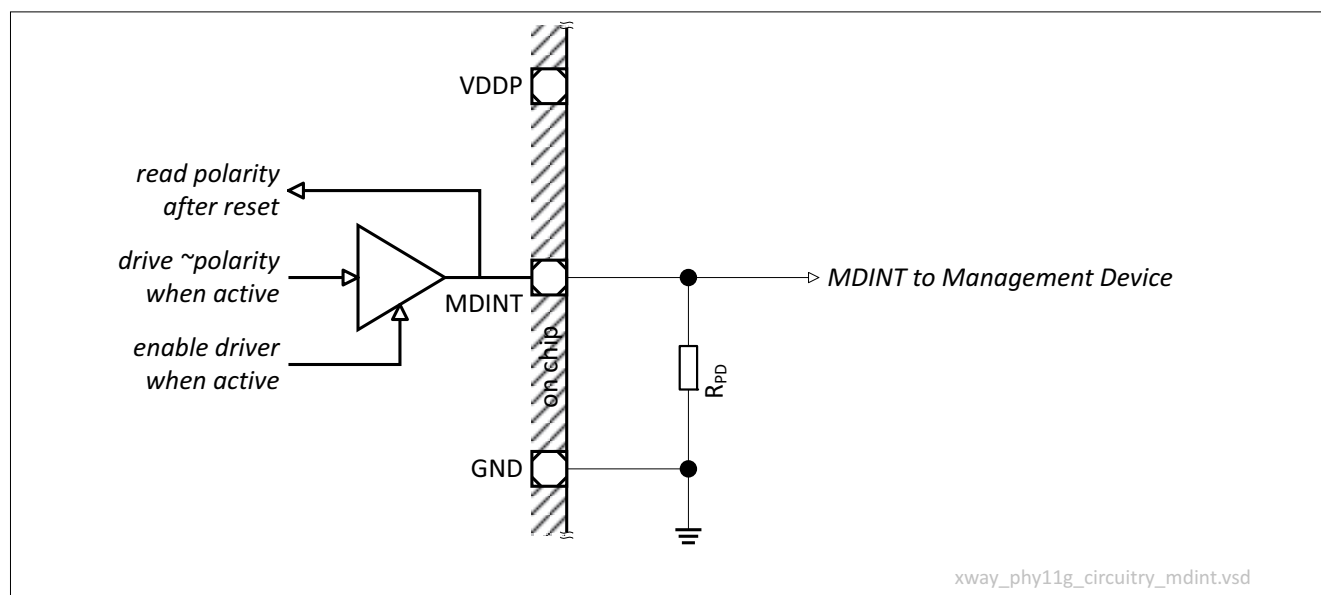


Figure 23 External Circuitry for an Active-High MDINT

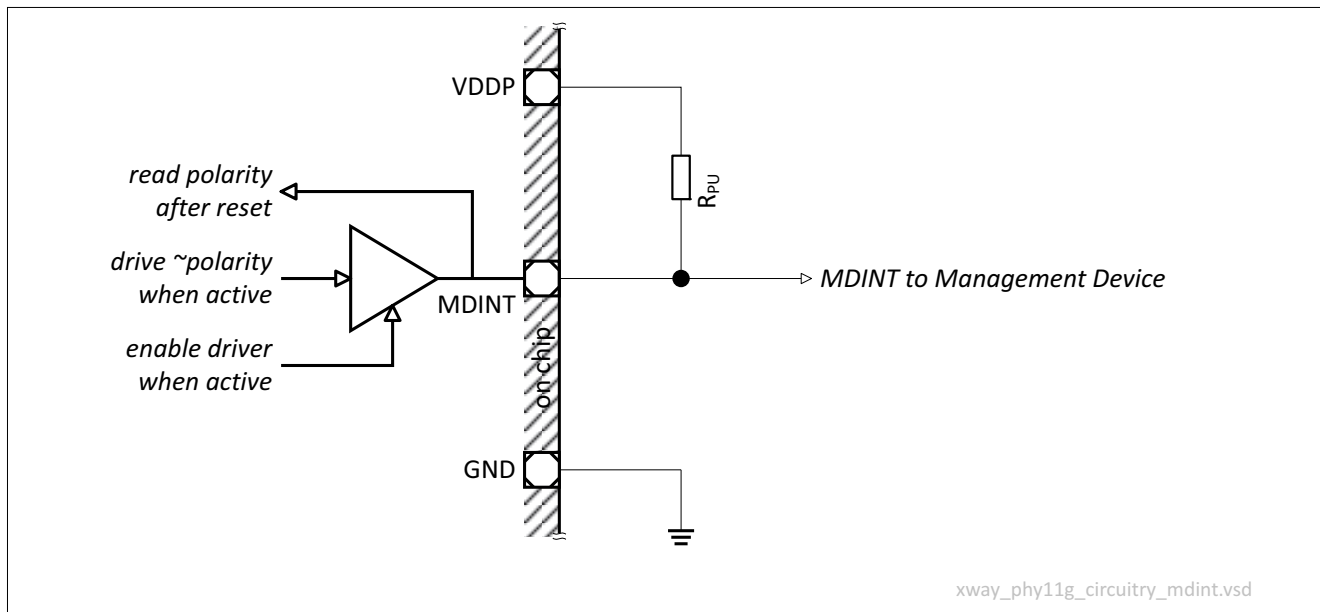


Figure 24 External Circuitry for an Active-Low MDINT

3.4.4 LED Interface

The GPY111 supports up to three LED outputs. These outputs are active high and drive LEDs directly with $V_{DDP} = 2.5\text{ V} \dots 3.3\text{ V}$ (see [Chapter 6.2](#)). It is possible to connect one single-color LED per interface pin, as well as bi-color LEDs. The latter is achieved by combining two LED interface pins. Both modes of operation are introduced in [Chapter 3.4.4.1](#) and [Chapter 3.4.4.2](#) respectively. The behavior and event-sensitivity of each LED can be configured individually, as described in [Chapter 3.4.4.3](#). The individual MDIO registers referred to in [Chapter 3.4.4.3](#) are described in more detail in [Chapter 4](#).

3.4.4.1 Single Color LED Mode

The external circuitry for a single-color LED is depicted in [Figure 25](#). The LEDx pin represents one of the available LED interface pins at the device. The GND signal represents the common ground EPAD. The LED pins are designed to source a certain amount of current out of the pad-supply V_{DDP} when becoming active high. Besides the LED, two individual resistors are depicted in the figure. R_{LED} denotes an optional series resistor which could be used depending on the selected LED type and PAD supply voltage V_{DDP} . R_{CFGx} and C_{CFGx} denote external passive components required for the soft pin-strapping configuration of the device. The component values are selected such that the brightness of the LED is not affected. More details on this type of pin-strapping configuration can be found in [Chapter 3.4.1](#).

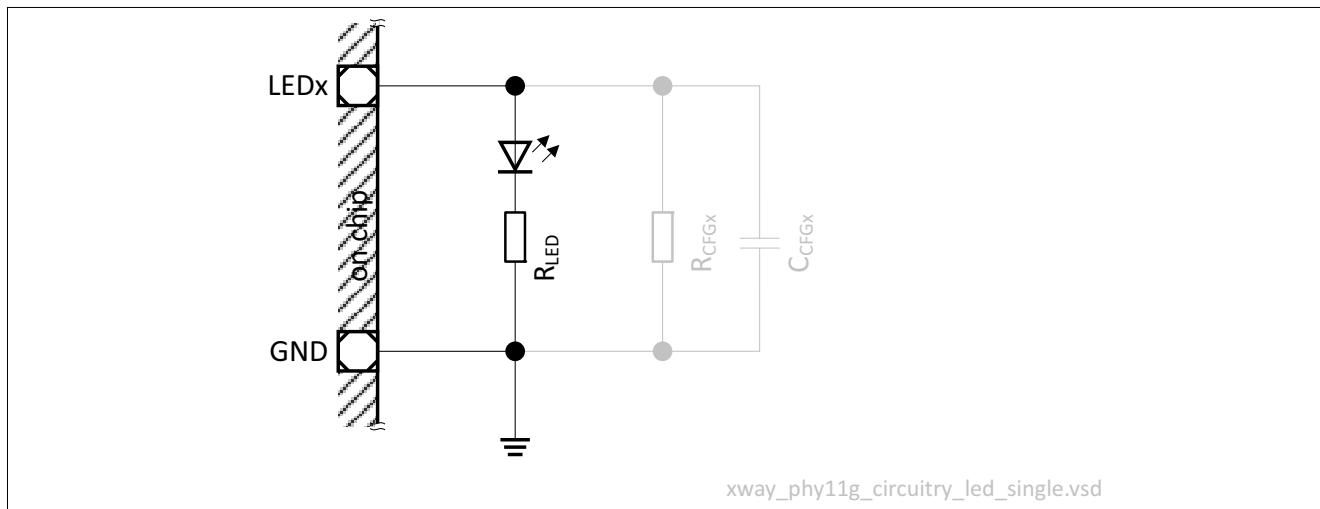


Figure 25 Single Color LED External Circuitry

3.4.4.2 Bi-Color LED Mode

The external circuitry for a bi-color LED is depicted in [Figure 26](#). The LEDx and LEDy pins represent any two of the available LED interface pins at the device. The GND signal represents the common ground EPAD. The LEDx and LEDy pins are designed to source a certain amount of current out of the pad-supply V_{DDP} when becoming active high. Besides the LEDs¹⁾, three individual resistors are depicted in the figure. R_{LED} denotes an optional series resistor which might be used, depending on the selected LED type and PAD supply voltage V_{DDP} . R_{CFGx}/R_{CFGy} and C_{CFGx}/C_{CFGy} denote external passive components required for the soft pin-strapping configuration of the device. The component values are selected such that the brightness of the LED is not affected. More details on this type of pin-strapping configuration can be found in [Chapter 3.4.1](#).

1) Bi-color LEDs are also available as monolithic 2-pin devices as indicated in [Figure 26](#).

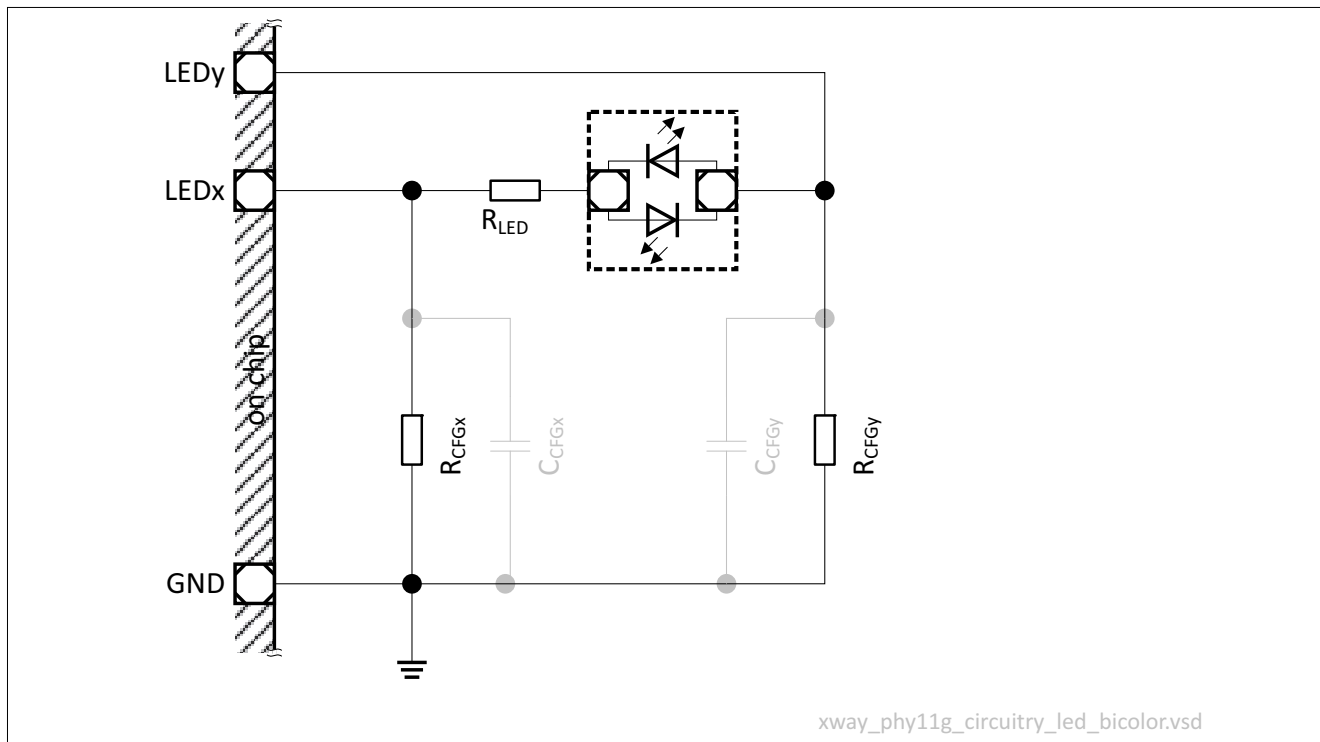


Figure 26 Bi-Color LED External Circuitry

3.4.4.3 LED Operations

Irrespective of the LED type used (single-color or bi-color), the LED pins can be operated in various modes. Basically, two major modes can be distinguished: Internally Controlled Mode (ICM) and Externally Controlled Mode (ECM). In ECM, the higher-level management entity is able to control the LEDs via register access in the MDIO register space. In ICM, the GPY111 itself controls the functions of the LEDs. These functions are introduced in [Chapter 3.4.4.3.2](#), and can be configured by the higher-level management entity via MDIO configuration registers as described in [Chapter 3.4.4.3.3](#). The configuration scheme is defined such that combined and direct-drive LED functionality can be set up.

3.4.4.3.1 LED Externally Controlled Mode (ECM)

In ECM, the LEDs can be directly driven by register bits mapped onto the MDIO address space. The higher-level management entity is able to directly change the LED outputs. This feature enables the higher-level management entity to control the LED pins itself, and the GPY111 only acts as the LED driver. This mode also acts as a simple testing feature for the LEDs. Note that ECM is not enabled by default, and needs to be enabled in advance. To enable the ECM, the higher-level management entity needs to set the register `MDIO.PHY.LED.LED[2:0]EN = 0B`.

The LED can be illuminated by setting `MDIO.PHY.LED.LED[2:0]DA = 1B`.

3.4.4.3.2 LED Functions in Internally Controlled Mode (ICM)

LED functions are activities to be applied to the LED pins according to a given configuration. These activities are applied in a given priority. It is possible to map multiple activities to the same LED pin, in order to be able to multiplex different types information. The configuration of these LED functions is described in [Chapter 3.4.4.3.3](#). There are two types of LED function: direct and complex LED functions. Direct LED functions can be applied to a single LED, whereas complex LED functions use the context of all LEDs. [Table 27](#) lists all the supported direct LED functions and their associated priorities when compared with each other. [Table 28](#) lists all the supported

complex LED functions and their priorities when compared to each other. The complex LED functions have a higher priority than that of the direct LED functions.

Table 27 Direct LED Functions

Function	Priority	Description
PULSE	1 (high)	The LED is switched on/off shortly in reaction to a certain event or state transition. The corresponding ON and OFF time is determined by the pulse-stretching ¹⁾ configuration. Note that each new event will cause an ON-OFF sequence unless if this event happens during a running PULSE function. The ON-OFF sequence is necessary to make the PULSE function visible on LEDs which already indicate another function, e.g. ON or BLINK slow. The length of the pulse stretching depends on the global setting used for the fast-blinking frequency.
BLINKF	2	LED blinks with a globally configured fast frequency.
BLINKS	3	LED blinks with a globally configured slow frequency.
CON	4	LED is constantly ON; can be configured to indicate link speed, EEE mode, ANEG, analog self-test / cable diagnostics, or the currently active interface (copper, fiber or other)
NONE	5 (low)	No direct function is applied to the LED; the LED is OFF (might be over-ruled by a concurrently running complex function).

1) Pulse-stretching is used to make short events visible by extending the lighting time of the LED following this event.

Table 28 Complex LED Functions

Function	Priority	Description
CBLINK	1 (high)	All LEDs blink simultaneously with the globally configured fast frequency. In particular, in order to distinguish this mode properly from concurrently running direct functions, all even-numbered LEDs have their blinking phase shifted by 180° with respect to the odd-numbered LEDs.
SCAN	2	Scan sequence; this is a walking light running fast between LED0 to LED2 backwards and forwards. The speed is selected for the fast-blink frequency.
NACS	3	Reversed scan sequence; similar to the SCAN function but all LED outputs are inverted.
NONE	4 (low)	No complex function is applied to the LEDs.

The speed or frequency of any of the BLINK or SCAN/ISCAN LED functions can be selected by means of a global setting in the `MMD.INTERNAL.LEDCH.FBF` register (fast-blinking frequency) as well as in the `MMD.INTERNAL.LEDCH.SBF` register (slow-blinking frequency). Refer to [LED Configuration](#) for more information.

3.4.4.3.3 LED Configuration in ICM

The configuration of LEDs for ICM can be managed with the LED configuration registers. Apart from the complex function registers `MMD.INTERNAL.LEDCH` and `MMD.INTERNAL.LEDCL`, there is one such register for each LED port: registers `MMD.INTERNAL.LED0H` / `MMD.INTERNAL.LED0L` through `MMD.INTERNAL.LED2H` / `MMD.INTERNAL.LED2L`. The layout of this type of configuration register is defined in [Chapter 4](#). Each supported direct function owns a field in these LED-specific configuration registers. The setup of the direct functions is independent for each LED. The fields of the `MMD.INTERNAL.LEDxx` register allow several states/events of the GPY111 to be mapped to the supported direct functions. If a direct function is not desired, a NONE must be

mapped. Note that multiple events/states can occur simultaneously. The direct functions apply according to the priority as specified in [Table 27](#). Also note that a direct function always has a lower priority than any supported complex function.

As an example the following mapping can be configured for LED0, LED1 and LED2:

- LED0:
 - PULSE = NONE
 - BLINKS = LINK10
 - BLINKF = LINK100
 - CON = LINK1000
- LED1
 - PULSE = ACTIVITY (TXACT | RXACT)
 - BLINKS = NONE
 - BLINKF = NONE
 - CON = NONE
- LED2
 - PULSE = COL
 - BLINKS = NONE
 - BLINKF = NONE
 - CON = NONE

In this example, the LED0 indicates the speed of the PHY, whereas LED1 indicates the transmit and receive activity. LED2 reflects any collision in case of half-duplex mode settings.

If any supported complex function (CBLINK, SCAN, NACS) is desired in cable diagnostics mode, this can be set up using the registers `MMD.INTERNAL.LEDCL.{CBLINK, SCAN}` and `MMD.INTERNAL.LEDCH.{NACS}`.

3.5 Power Management

This chapter introduces the power management and power supply functions of the GPY111.

3.5.1 Power Supply

Because of its integrated DC/DC switching regulator, the GPY111 can be powered using a single power supply, as described in [Chapter 3.5.1.1](#). However, the device can also be powered without the integrated DC/DC switching regulator, as described in [Chapter 3.5.1.2](#).

If the integrated DC/DC switching regulator is used, then a clock signal is required at XTAL1 during both normal mode and boundary scan mode.

3.5.1.1 Power Supply Using Integrated Switching Regulator

By using the integrated DC/DC switching regulator, the GPY111 can be powered using a single power supply. This power supply can range from 2.5 V to 3.3 V. As long as the applied nominal voltage remains in this range, the device operates automatically and without the need for additional settings to be applied. Only minor external circuitry is required to enable this feature. An example schematic is shown in [Figure 27](#). The electrical characteristics of the power supply are defined in [Chapter 6.2](#).

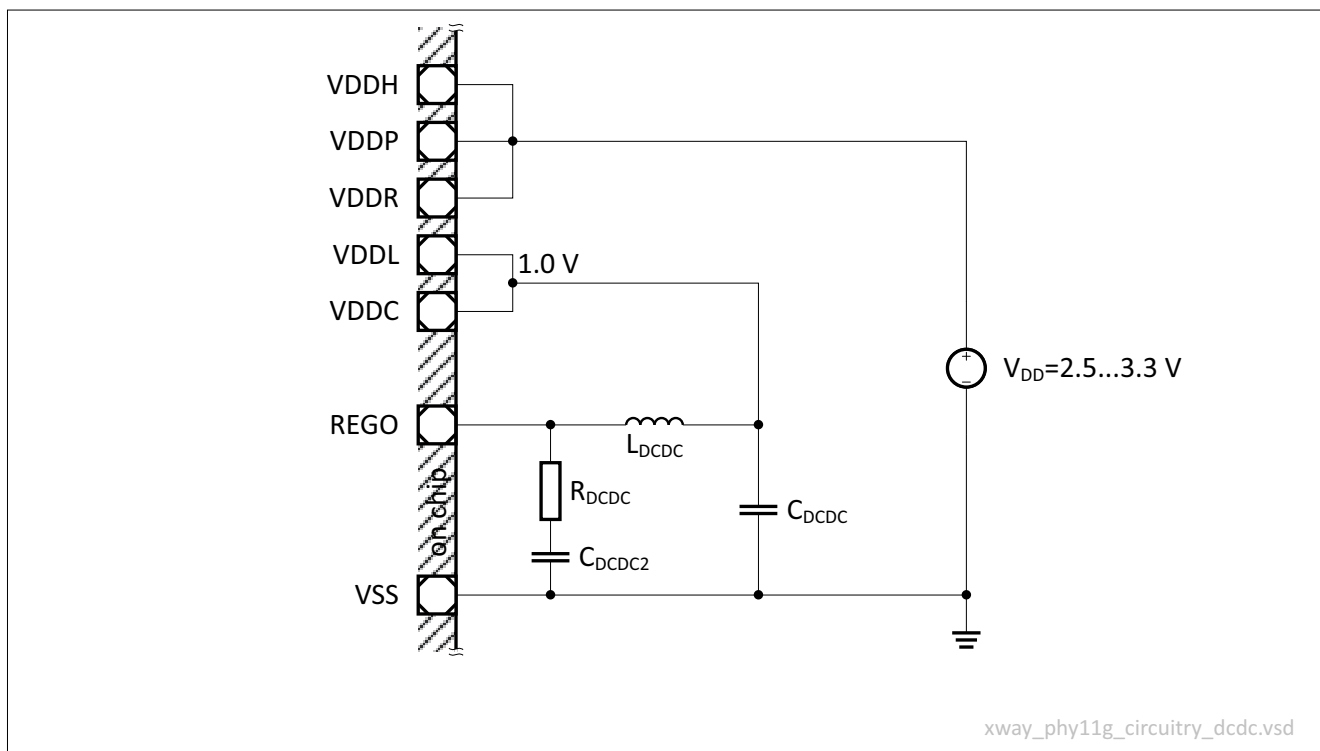


Figure 27 External Circuitry using the Integrated Switching Regulator

The required values for external components are listed in [Table 29](#).

Table 29 Switching Regulator External Component Values

Parameter	Symbol	Values			Unit	Note / Test Condition
		Min.	Typ.	Max.		
DC/DC buck inductance	L_{DCDC}		4.7		μH	$I_{\text{max}} = 450 \text{ mA}$
DC/DC smoothing capacitance	C_{DCDC}		22.0		μF	
DC/DC spike filter resistance	R_{DCDC}		5.0		Ω	
DC/DC spike filter capacitance	C_{DCDC2}		333.0		pF	

3.5.1.2 Power Supply Without Using Integrated Switching Regulator

When the integrated DC/DC switching regulator is not used, for example when both power supply voltages are already available in the system, the GPY111 can be powered by a dual power supply, as shown in [Figure 28](#). The electrical characteristics of the power supply are defined in [Chapter 6.2](#).

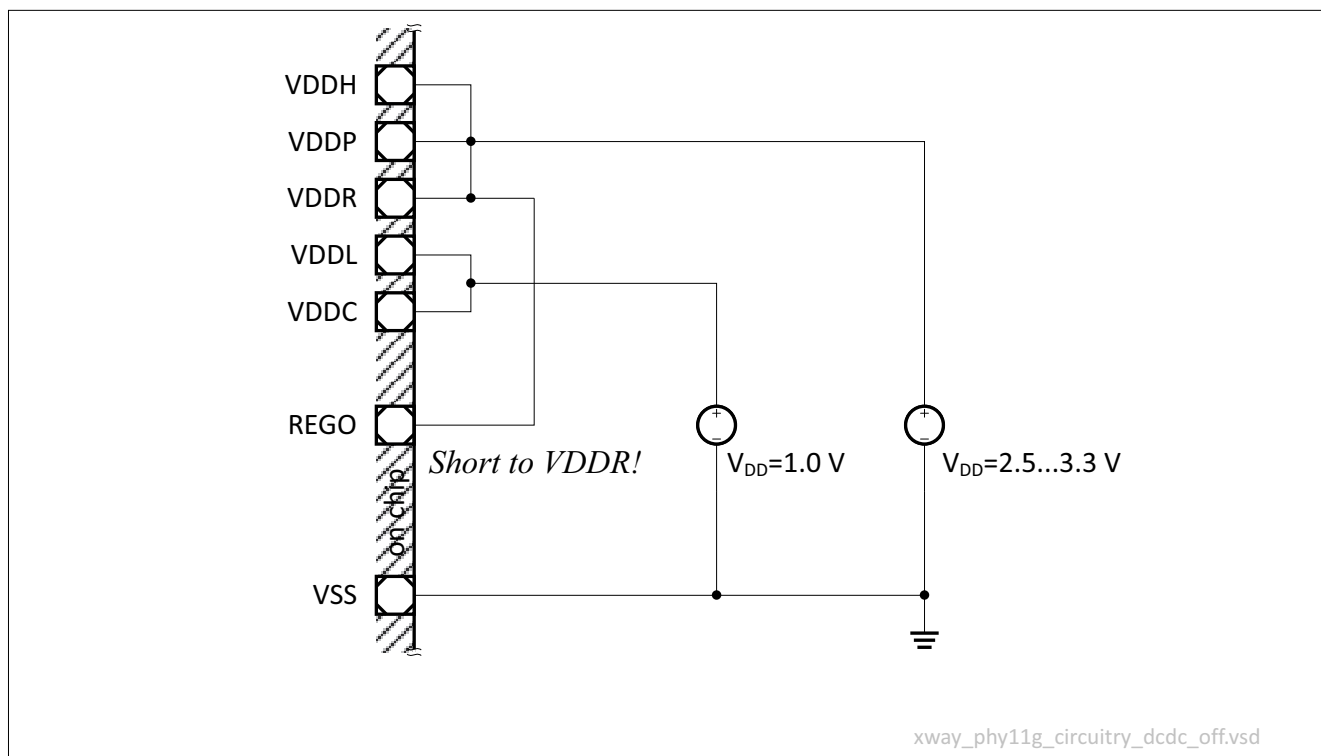


Figure 28 External Circuitry without using the Integrated Switching Regulator

In external supply mode, the integrated DC/DC is internally switched off, as the GPY111 automatically detects whenever the switching regulator output pin is shorted to VDDR. In this case, neither additional pin-strappings nor register settings are required. Note that [Figure 28](#) is only a generic schematic, and does not show power supply blocking for reasons of simplicity.

3.5.2 Power Over Ethernet (PoE)

Power Over Ethernet (PoE) is a standardized method (described in IEEE 802.3af, and in particular in IEEE 802.3, clause 33 [1]) for remotely powering devices via the MDI. The remotely powered device does not require a power supply, thereby mainly saving on installation costs, since only the Ethernet connection (CAT5 cable or better) needs to be equipped. One example of such an application is for Wi-Fi routers or NAS devices. According to the standard, such devices can be remotely powered if they consume less than 15.4 W. As there is a strong demand for higher-power applications, an enhancement of the PoE standard is being developed (IEEE 802.3at, [3]) that is able to provide up to 50 W via remote powering. The increase in power level is practically the only difference between the two standard versions.

The IEEE 802.3af standard defines two kinds of devices, the Powered Device (PD) and the Power-Sourcing Equipment (PSE). The former extracts electrical power from the common mode of some of the twisted pairs inside the CAT5 (or better) cable, whereas the latter acts as a source of electrical power. The two types of devices and their application together with the GPY111 are illustrated in [Chapter 3.5.2.1](#) and [Chapter 3.5.2.2](#), respectively.

3.5.2.1 Powered Device (PD)

Additional external circuitry is required to extract power from the twisted pair. This includes a PD circuit and a DC/DC converter, together with various external components that are usually not integrated. The PD and DC/DC devices could be integrated on one IC.

According to IEEE 802.3, clause 33 [1], there are two alternative methods for supplying a PD. The first involves supplying power via the common mode of the pairs (1, 2) and (3, 6), whereas the second involves the pairs (4, 5) and (6, 7). The PD is required to accept power from both alternatives, but only one in parallel. The polarity of the power injection is not specified. Accordingly, each PD must have a diode-bridge rectifier to extract the power from both twisted-pair combinations alternatively but independent of the driver polarity.

In turn, the PD must signal to the PSE which type of power is required, as several power classes are defined. More details can be found in IEEE 802.3, clause 33. This signaling is done by means of a resistive value which is sensed by the PSE. Each PD IC provides a pin to which this classification resistor can be connected. After the initial classification, done by the PSE with low voltages to prevent damage of non PoE-compliant PDs, the PSE drives the required power to the line. The PD indicates the availability of power to the DC/DC converter by means of the Pgood (power good) signal. The DC/DC converter is required to transform the line voltage (>20 V) to the chip power supply voltages required by the system. Since the DC/DC can only start once the power is stable, the Pgood indication is usually a necessary requirement. Note that the DC/DC converter must implement soft-start functionality to prevent the start current from becoming exhaustively large. Once the DC/DC provides the nominal voltage to the system, the remotely powered devices (ICs) power up just as they would if a power source is applied in normal operating conditions.

The board voltage provided by the DC/DC of the PD is fed to the GPY111 to supply the 2.5 V/3.3 V voltage domain, and in particular VDDP, VDDH and VDDR. All these domains must be properly blocked with adequate capacitance and filtering techniques. The integrated DC/DC switching regulator (see also [Chapter 3.5.1.1](#)) of the GPY111 can in turn be used to supply the 1.0 V voltage domains, for example VDDL, VDDC and VDDL. Note that the integrated DC/DC switching regulator supports soft-starting such that PoE is enabled.

The power class advertised by the PD to the PSE depends largely on the power consumption of the whole system. The GPY111 itself must also be taken into account. Regardless of the current power consumption of the GPY111, it is recommended that a figure of 1 W is assigned to the PHY.

3.5.2.2 Power Sourcing Equipment (PSE)

The generic PSE circuit is similar to that of the PD, except that the PSE must only inject the supply into one of the two twisted-pair alternatives: pairs (1, 2) and (3, 6) or (4, 5) and (6, 7). The PSE also does not require polarity invariance measures, since it defines the supply polarity. However, the PSE must be supplied properly to guarantee proper operation, regardless of which type of PD is connected. Otherwise, the PSE has to switch itself off if it detects a PD of too high a power class.

There are 2 types of PSE system: EndPoint and Mid-Span. The GPY111 can be used in either type of system.

Note that the PSE adds complexity to the design, because of the high-voltage supply of the PoE. Typically, 48 V are used to supply the remote PD. It is recommended to avoid cross-connecting any of the PSE signals with any of the GPY111 signals, unless these are galvanically de-coupled. This applies to the common-mode supply injection at the center taps of the transformers, which is only done on the line side of the transformer. Some PSE devices support an I²C interface for management interaction. This interface can only be connected to the GPY111 when using an opto-coupler.

3.5.3 Energy-Efficient Ethernet

The IEEE 802.3az standard ([2]), describing Energy-Efficient Ethernet (EEE) operation, is also implemented in the . Since the method used for saving energy depends on the PHY speed, this section is divided into 3 subsections corresponding to the various speeds of 10BASE-Te, 100BASE-TX and 1000BASE-T. Except for 10BASE-Te, the general idea of EEE is to save power during periods of low link utilization. Instead of sending an active idle, the transmitters are switched off for a short period of time (20 ms). The link is kept active by means of a frequent refresh cycle initiated by the PHY itself during low power mode. This sequence is repeated until a wake request is generated by one of the link-partners MACs. An EEE-compliant MAC must grant the PHY a time budget of wake time before the first packet is transmitted. The basic principle is shown in Figure 29.

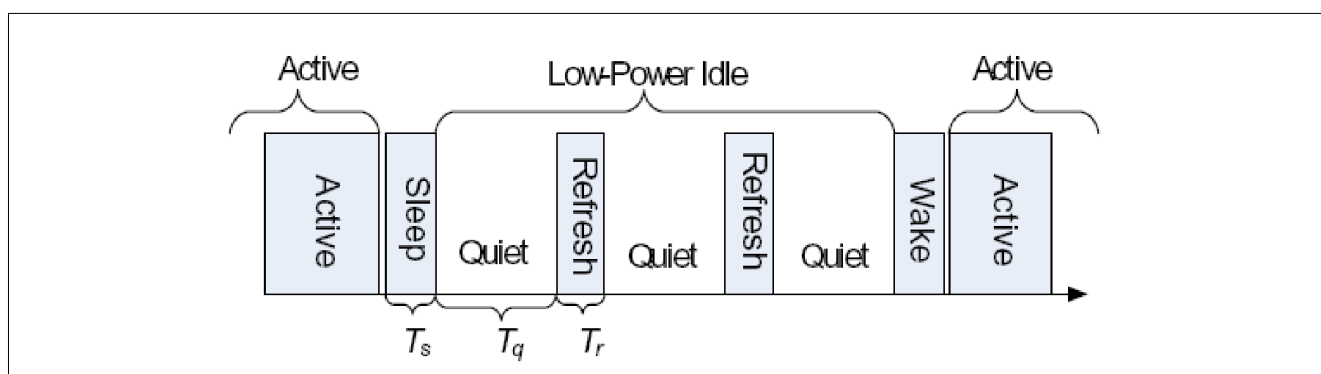


Figure 29 EEE Low-Power Idle Sequence

3.5.3.1 EEE for 10BASE-Te

10BASE-Te is a fully inter-operable version of the legacy 10BASE-T. It is optimized for CAT5 and better cabling infrastructure. Since these cables have better insertion loss properties, the amplitude of 10BASE-T can be reduced, thus saving on energy.

Specifically, the 10BASE-Te transmission amplitude has been reduced to the range of 1.54 V...1.92 V, instead of 2.2 V...2.8 V for 10BASE-T. The 10BASE-Te mode can be activated using the MDIO.PHY.PHYCTL1.TXEEE10 bit. In order to maintain maximal inter-operability, the detects links with marginal characteristics and automatically switches back to the 10BASE-T mode. Thus, the legacy performance requirements are also supported, even though the transmitter is set up for 10BASE-Te.

3.5.3.2 EEE for 100BASE-TX

During periods of low link utilization, an EEE-compliant MAC can assert Low Power Idle (LPI). It does so by asserting TX_EN = 0_B, TX_ER = 1_B and TXD = 0001_B at the MII or an equivalent interface. The initiates LPI signaling and enters a low-power mode. Similarly, the senses LPI signaling on its receive side and switches off the receive path. Any wake attempt will cause the to return to the normal mode of operation in transmit or receive. Note that the indicates a receive LPI by asserting RX_DV = 0_B, RX_ER = 1_B and RXD = 0001_B at the MII or equivalent interface. The wake-time for 100BASE-TX is of 20.5 μs.

3.5.3.3 EEE for 1000BASE-T

During periods of low link utilization, an EEE-compliant MAC can assert Low Power Idle (LPI). It does so by asserting TX_EN = 0_B, TX_ER = 1_B and TXD = 01_H at the Gigabit MII or an equivalent interface. In 1000BASE-T LPI mode, the transmit function of the enters a quiet mode only after the transmits “sleep” and receives “sleep” from the link partner. If the link partner chooses not to signal LPI, then the PHY can also not become quiet. However, LPI requests are passed from one end of the link to the other regardless, and system energy savings can be achieved even if the PHY link does not become quiet. The 1000BASE-T LPI is symmetric on the PHY layer but remains asymmetric (transmit and receive independently) at xMII level and above. Note that the indicates a receive LPI by asserting RX_DV = 0_B, RX_ER = 1_B and RXD = 01_H at the GMII or an equivalent interface. The wake-time for 1000BASE-T is of 30 μs.

3.5.3.4 Auto-Negotiation for EEE Modes

It is imperative that EEE capability is advertised, since, except for 10BASE-Te, a compliant link partner is required. Similarly to 1000BASE-T auto-negotiation, the automatically advertises EEE capability if this is enabled using next pages. EEE capability is stored in the MMD.ANEG.EEE_AN_ADV registers (refer to [EEE Auto-Negotiation Advertisement Register](#)). Setting this register to zero disables EEE. After a successful negotiation the link partners' capabilities are stored in the MMD.ANEG.EEE_AN_LPADV register (refer to [EEE Auto-Negotiation Link-Partner Advertisement Register](#)). After a successful auto-negotiation, the GPY111 performs an auto-resolution on the exchanged capabilities. The result is combined with the speed resolution. Whether or not a link is able to operate EEE is reported in the MDIO.PHY.MIISTAT.EEE register (refer to [Media-Independent Interface Status](#)).

3.5.4 Wake-on-LAN (WoL)

Wake-on-LAN (WoL) is an essential feature of the GPY111. By means of an integrated packet trace engine that is capable of monitoring and detecting WoL packets, the PHY is able to wake a larger SoC from its power-down state. This is done by indicating such an event via the external interrupt sourced by the GPY111. This scenario is shown in [Figure 9](#). Consequently, the SoC can switch GPY111off everything except the interrupt controller, in order to save the maximum amount of power. The GPY111 can trace WoL packets in any of its supported speed modes:10/100/1000 Mbit/s. Since WoL is a standby system feature, it can happen that the residual power consumption of the GPY111 is critical. Therefore, it is recommended to put the PHY into a lower power state, for example 10BASE-T or 100BASE-T, before the SoC enters its power-down state. If the link supports EEE (see also [Chapter 3.5.3](#)), this is not required since the PHY can be put into low-power mode by means of an LPI assert signal. Once a WoL packet is detected, the GPY111 issues a wake-up indication to the SoC by activating the MDINT signal (see also [Chapter 3.4.3.3](#)).

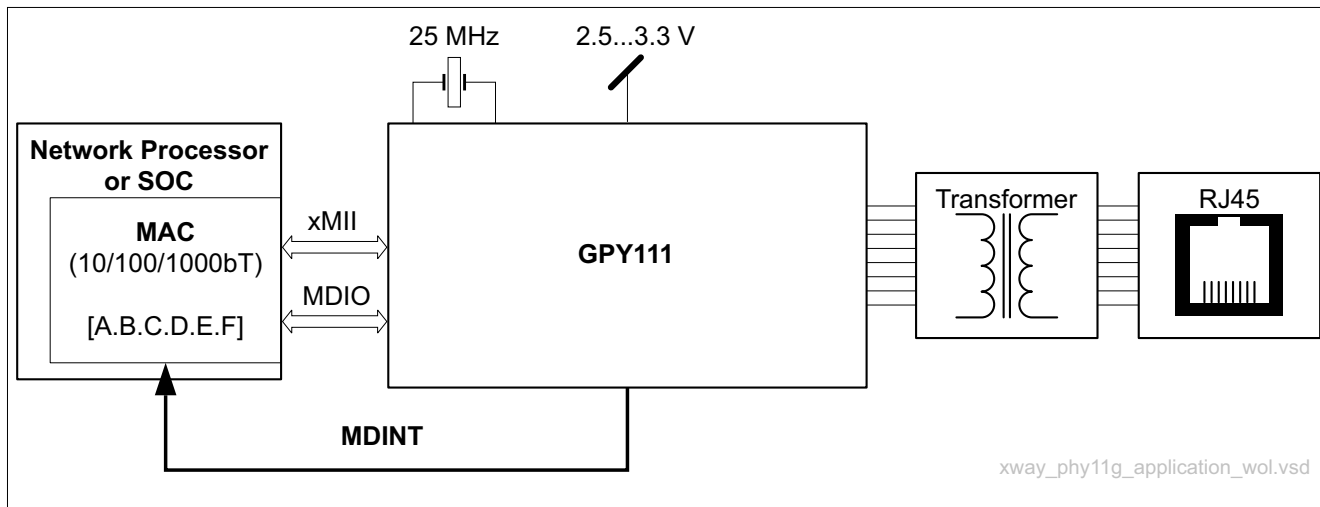


Figure 30 Block Diagram of a WoL Application

The most commonly used WoL packet is a magic packet [14]. A magic packet is a deterministic packet that contains the MAC address of the device that is to be woken up. A magic packet can be encapsulated into any type of higher-layer protocol, for example TCP/IP or UDP. Regardless of the higher-layer protocol used, the setup of the core magic packet is always the same.

The format of a magic packet is shown in Figure 31 for an example with a MAC address of $AA_H.BB_H.CC_H.DD_H.EE_H.FF_H$ and an optional password of $00_H.11_H.22_H.33_H.44_H.55_H$. The example magic packet is shown encapsulated in the content of a conventional Ethernet MAC frame structure. The magic packet itself contains of a header which is a sequence of 6 consecutive FF_H Bytes. Following this header is a repetition for 16 times of the target MAC address of the device to be woken up. Note that this address can also be any standard broadcast address. An optional field containing a 6 Byte wake-up password follows. The GPY111 scans for this password if it is configured. Otherwise, this field is ignored.

The GPY111 is a pure PHY and does not include a MAC or have a MAC address. The SoC must configure its own MAC address, for example $AA_H.BB_H.CC_H.DD_H.EE_H.FF_H$, into the WoL packet monitoring engine of the GPY111, using the MDIO interface. The same applies in case the optional password is intended to be used.

The configuration of the MAC address and the optional SecureOn password relevant for the WoL logic inside the GPY111 is performed via MDIO registers. For the given example, programming is done according to the steps illustrated in Table 30. Note that, by definition, a SecureOn password of $00_H.00_H.00_H.00_H.00_H.00_H$ means that no SecureOn password is defined and therefore none is checked.

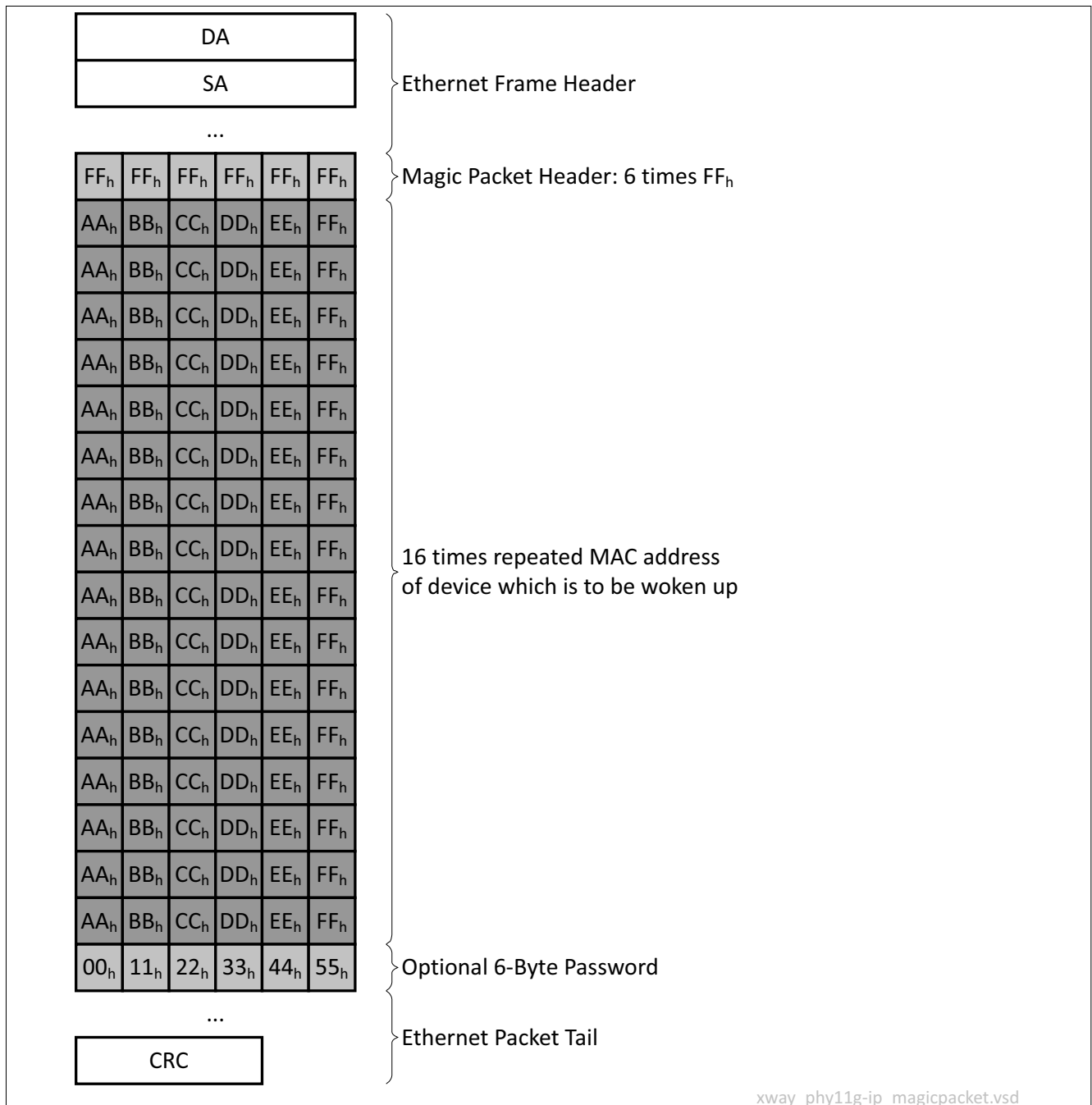


Figure 31 The Magic Packet Format

Table 30 Programming Sequence for the Wake-On-LAN Functionality

Step	Register Access	Remark
1	MDIO.MMD.WOLAD0 = AA_H	Program the first MAC address byte
2	MDIO.MMD.WOLAD1 = BB_H	Program the second MAC address byte
3	MDIO.MMD.WOLAD2 = CC_H	Program the third MAC address byte
4	MDIO.MMD.WOLAD3 = DD_H	Program the fourth MAC address byte
5	MDIO.MMD.WOLAD4 = EE_H	Program the fifth MAC address byte
6	MDIO.MMD.WOLAD5 = FF_H	Program the sixth MAC address byte

Table 30 Programming Sequence for the Wake-On-LAN Functionality (cont'd)

Step	Register Access	Remark
7	MDIO.MMD.WOLPW0 = 00 _H	Program the first SecureON password byte
8	MDIO.MMD.WOLPW1 = 11 _H	Program the second SecureON password byte
9	MDIO.MMD.WOLPW2 = 22 _H	Program the third SecureON password byte
10	MDIO.MMD.WOLPW3 = 33 _H	Program the fourth SecureON password byte
11	MDIO.MMD.WOLPW4 = 44 _H	Program the fifth SecureON password byte
12	MDIO.MMD.WOLPW5 = 55 _H	Program the sixth SecureON password byte
13	MDIO.PHY.IMASK.WOL = 1 _B	Enable the Wake-On-LAN interrupt mask
14	MDIO.MMD.WOLCTRL.WOL.EN = 1 _B	Enable Wake-On-LAN functionality

3.5.5 Power Down Modes

This section introduces the power-down modes that are supported by the GPY111. These modes can be associated to states as shown in [Figure 32](#). The functionality of each mode and the state transitions are discussed in detail in the subsequent sections.

The higher level software can monitor the GPY111 and take measures to save power in case an Ethernet cable is not connected. More details will be provided in the upcoming GPY111 Power Saving Method application note [\[15\]](#), for reference.

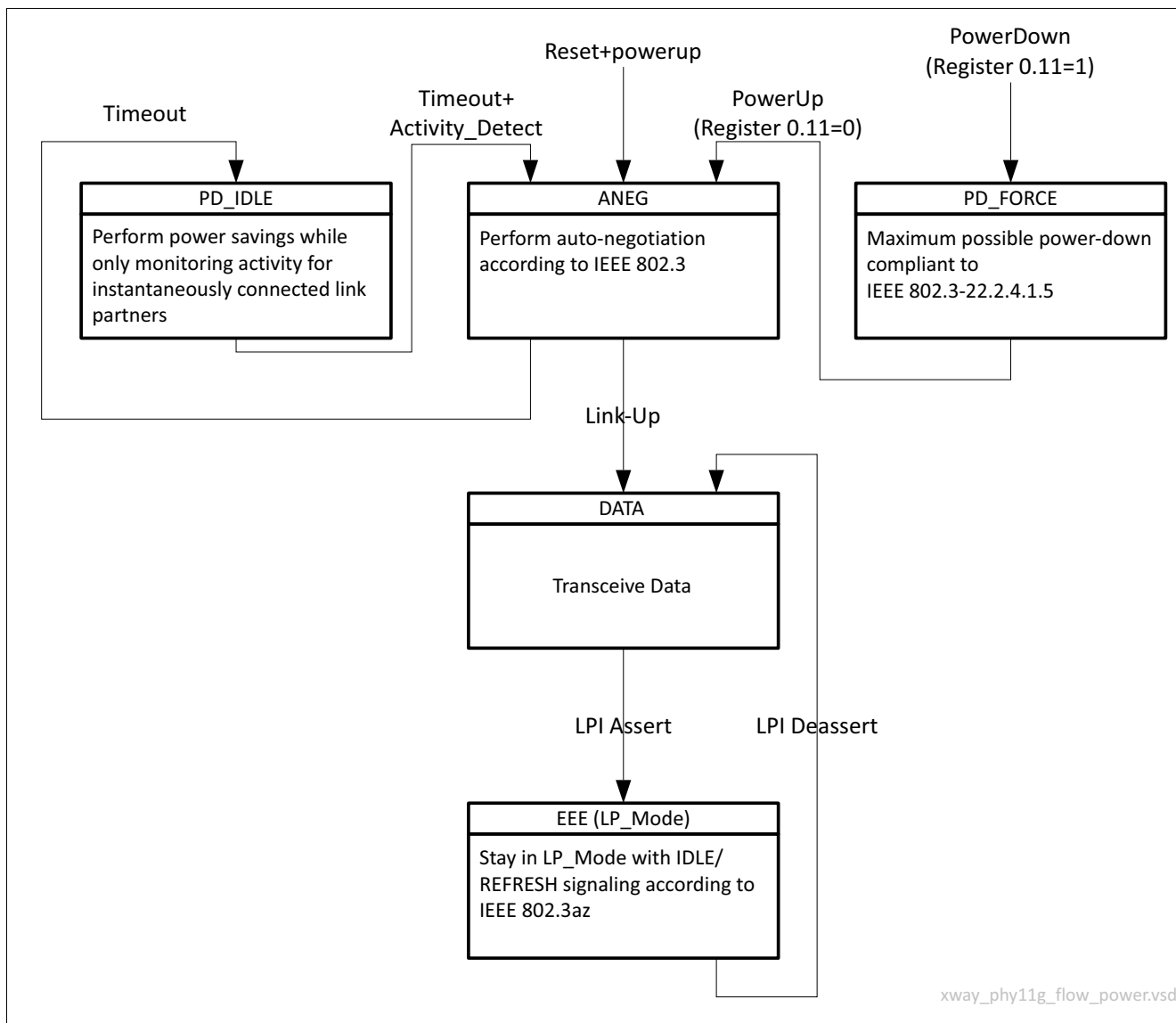


Figure 32 State Diagram for Power-Down Mode Management

3.5.5.1 PD_FORCE Mode

The PD_FORCE mode is entered by setting the register `MDIO.STD.CTRL.PD` to logic 1, regardless of the current state of the device. Active links are dropped when the PHY is leaving the DATA mode. The sleep mode corresponds to power down as specified in IEEE 802.3 [1], clause 22.2.4.1.5. The device still reacts to MDIO management transactions. The interface clocks to the MAC are switched off. No signal is transmitted on the MDI. Since this mode is entered manually, the device will wake neither itself nor any link partner. Leaving the PD_FORCE mode is only possible by setting the register `MDIO.STD.CTRL.PD = 0B`.

3.5.5.2 ANEG Mode

In the Auto-Negotiation (ANEG) mode, the PHY tries to establish a connection to a potential link partner. The PHY remains in this state for a reasonably long time until a successful link partner has been detected, either through parallel detection or by an auto-negotiation process itself. After a successful link partner detection, the PHY enters the DATA mode by performing a link-up. However, since in most Ethernet systems the default mode is still an open port (no link-partner is connected), the idle power consumption during ANEG mode contributes significantly to the power budget. The GPY111 supports an optimized power-down mode during auto-negotiation. Whenever no link partner is detected for a certain amount of time, the PHY moves into the PD_IDLE mode ([Chapter 3.5.5.3](#)). It only comes back from the PD_IDLE mode into the ANEG mode after a time-out, or whenever a signal is detected coming from the link partner. Returning to ANEG mode after a time-out is required to wake up link partners that use similar power-saving schemes, for example another GPY111.

3.5.5.3 PD_IDLE Mode

This is a sub-state supporting power-saving methodologies during auto-negotiation (see also [Chapter 3.5.5.2](#)).

3.5.5.4 DATA Mode

The DATA mode is used to establish and maintain a link connection. Once this connection is dropped, the PHY moves back into ANEG mode. During DATA mode, the PHY is linked up and data can be transmitted and received. If the EEE mode ([Chapter 3.5.5.5](#)) of operation has been negotiated during the ANEG mode, the PHY moves into and out of the EEE mode whenever instructed to by the MAC's LPI agent.

3.5.5.5 EEE Mode

This is the Energy-Efficient Ethernet (EEE) low-power mode which is entered after an LPI assert command from the MAC's LPI agent. More details can be found in [Chapter 3.5.3](#).

3.6 Testing Functions

This section describes the test and verification features supported for the GPY111.

3.6.1 JTAG Interface

The GPY111 integrates a JTAG port according to IEEE 1149.1 [8], which defines a test access port and a boundary scan architecture. The JTAG interface of the GPY111 consists of a 4-pin Test Access Port (TAP) as specified in [Chapter 2.2.6](#). It includes the mandatory signals TMS, TCK, TDI and TDO.

When using JTAG mode with the internal DC/DC switching regulator, a clock signal needs to be applied at XTAL. The integrated TAP controller of the GPY111 supports the op-codes as shown in [Table 31](#).

Table 31 JTAG TAP Controller Op-Codes

Instruction	Instruction Code	JTAG Register	Register Width	Comment
EXTEST	0000 _B	Boundary scan		Allows for testing of external circuitry connected between GPY111 and other components on the same PCB. The GPY111 drives a previously loaded (using the PRELOAD instruction) pattern to all its outputs and samples all its inputs.
SAMPLE/PR ELOAD	00001 _B	Boundary scan		Allows a snapshot to be taken of all pins within the boundary scan during normal mode of operation, as well as for the values to be read out. This instruction also allows for patterns to be loaded into the boundary scan test cells in advance of other JTAG test instructions.
IDCODE	10001 _B	Device ID	32	Returns the JTAG boundary scan ID according to Table 32 on TDO.
CLAMP	00010 _B	Bypass	1	Allows the state of the signals driven from all GPY111 pins within the boundary scan to be determined from the boundary scan register. Simultaneously, the bypass register is selected as the serial path between TDI and TDO. The signals determined from the boundary scan register remain unchanged while the CLAMP instruction is selected.
HIGHZ	00011 _B	Bypass	1	Forces all outputs of the GPY111 into a high-impedance state. This prevents damage of components when testing according to IEEE1149.1 with components not following this standard.
BYPASS	11111 _B	Bypass	1	Bypasses the integrated TAP controller by connecting TDI to TDO via a single register, i.e. with one TCK period delay.
RESERVED	Remaining			

As specified in [Table 31](#), the IDCODE instruction returns the device ID on the TDO pin. The encoding of this device ID is given in [Table 32](#).

Table 32 JTAG Boundary Scan ID

Description	Device Version [31:28]	Device Code [27:12]	Manufacture Code [11:1]	Mandatory LSB
Value	0001 _B	0000 0001 1100 1100 _B	0000 1000 001 _B	1 _B

3.6.2 Payload Data Tests

This chapter specifies several payload-data test features that are integrated in the GPY111.

3.6.2.1 Test Packet Generator (TPG)

The integrated Test Packet Generator (TPG) allows for test packets to be sent over the line even when no MAC is connected to the MII, or when the connected MAC is inactive. This is done by multiplexing the TPG output into the transmit data path of the MAC interface. The TPG is controlled by `MDIO.PHY.TPGCTRL` and `MDIO.PHY.TPGDATA` (refer to [Test-Packet Generator Control](#) and [Test-Packet Generator Data](#)). It can be effectively used in the following applications:

- Electrical-characteristics test for 10BASE-T and 100BASE-TX
- BER measurements

The test packet is limited to layer-2 functionality with restricted configuration possibilities determined by `MDIO.PHY.TPGCTRL`. The basic test packet structure is shown in [Figure 33](#).

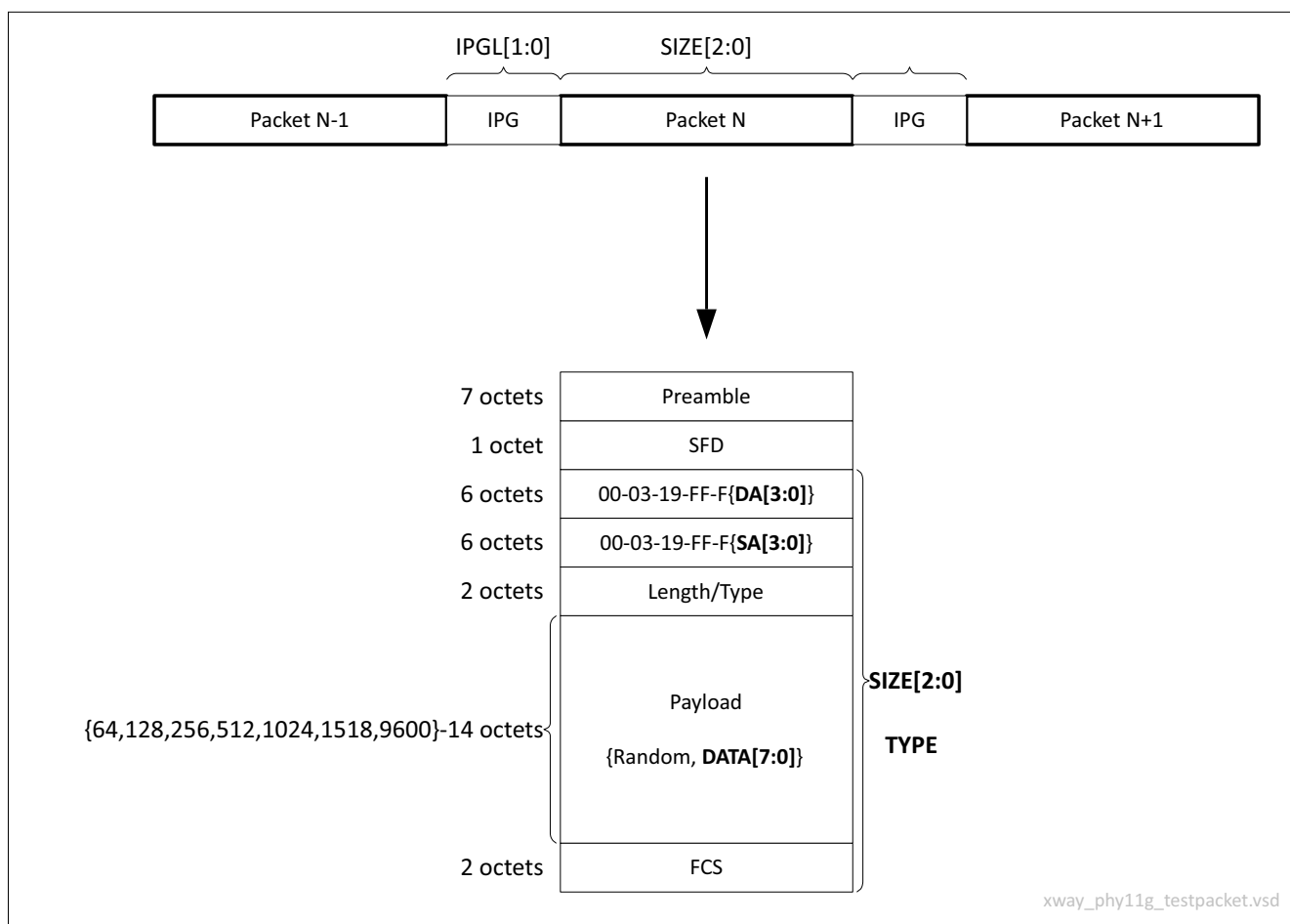


Figure 33 Test Packet Format

3.6.2.2 Error Counters

The GPY111 incorporates a general-purpose error counter, accessible via the `MDIO.PHY.ERRCNT.*` MDIO management registers. `MDIO.PHY.ERRCNT.SEL` allows an error source to be selected. The number of errors are counted and written to `MDIO.PHY.ERRCNT.COUNT`. This counter is cleared upon read access, and saturates at the value `MDIO.PHY.ERRCNT.COUNT = FFH`. This prevents ambiguous monitoring results created by an overflow. The error counter is only applicable to the twisted-pair PHY modes. For information on types of errors, refer to [Chapter 4](#).

3.6.3 Test Loops

The GPY111 supports several test loops to support system integration. Note that these loops are activated on the first link-up after the register programming.

The individual loop-back functions are covered in the following sections, as well as how to enable and disable them.

3.6.3.1 Near-End Test Loops

The near-end test loops are used to verify system integration of an GPY111 device. They allow for closed loop-backs of data and signals at different OSI reference layers. The following sections describe these loop-backs in descending order of OSI abstraction layer.

3.6.3.1.1 MAC Interface Test Loop

The MAC interface test loop allows raw xMII transmit data to be looped back to the xMII receive port. In the high-level block diagram in [Figure 34](#), the test loop data-path is marked by the area shaded in gray. This test loop can be applied to all the supported MAC interfaces described in [Chapter 3.2](#). If required, the conversion of data and control information is handled internally.

There are two methods for setting up this test loop. The first uses the IEEE loop-back setting: `MDIO.STD.CTRL.LB = 1B`. In this mode, the MII speed must be configured manually using the `MDIO.STD.CTRL.SS*` speed selection bits. Also, the PHY is not operable towards the MDI.

The second method uses the `MDIO.PHY.PHYCTL1.TLOOP = NETL` GPY111 proprietary test-loop setting. The test loop is activated at the next link-up.

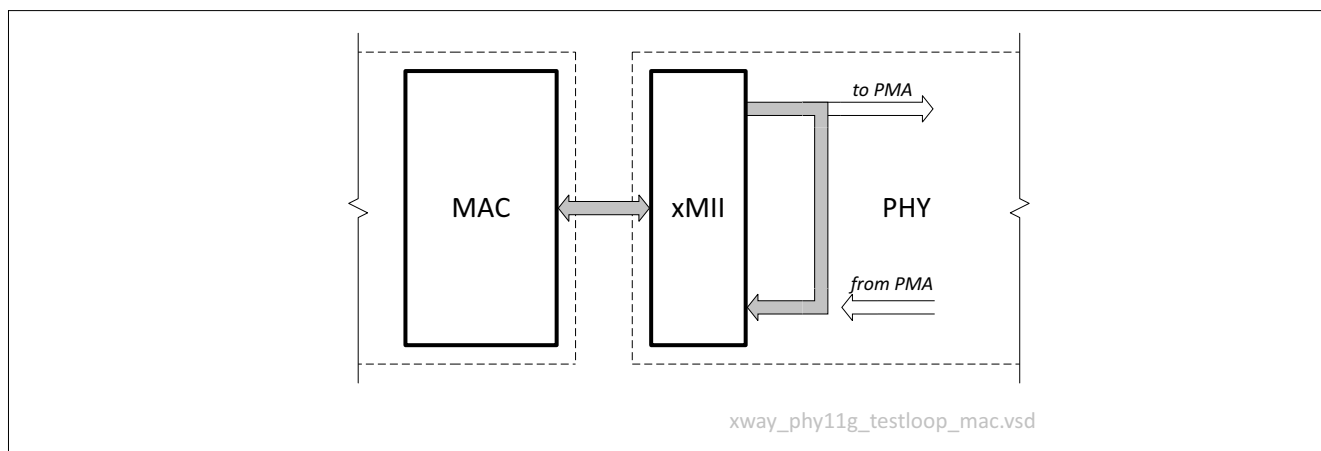


Figure 34 MAC Interface Near-End Test Loop

3.6.3.1.2 MDI Test Loop

The MDI test loop allows for loop-back of the signal at the MDI connector, for example RJ45 or SMB. Referring to the four available twisted pairs in a CAT5 or equivalent cable type, pair A is connected to pair B, and pair C to D. This shorting of near-end twisted pairs must be enabled using specialized termination circuitry. Note that no additional resistors are required, since the ports of the GPY111 are already inherently terminated. **Figure 35** shows a high-level block diagram, where the test loop data-path is marked by the area shaded in gray. This test loop can be applied to all the supported MAC interfaces described in **Chapter 3.2**. The test-loop mode is activated by setting `MDIO.PHY.PHYCTL1.TLOOP = RJ45`. The test loop is activated at the next link-up.

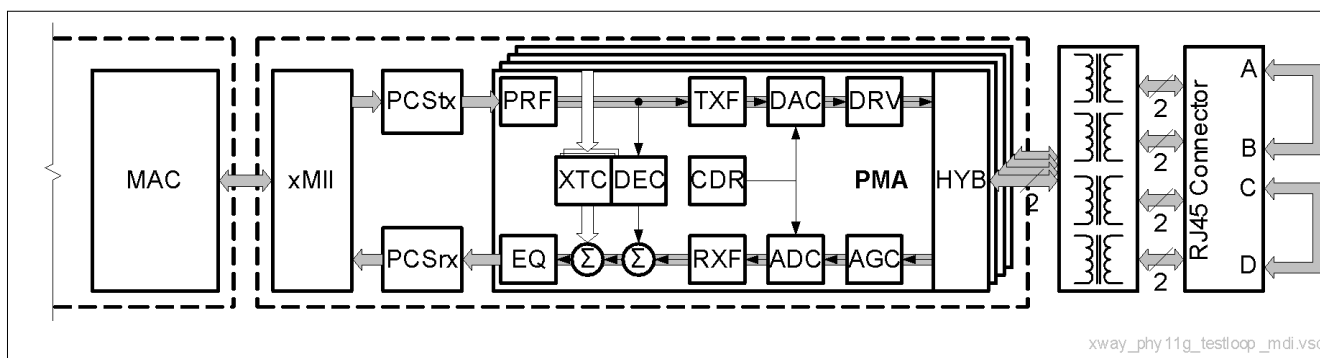


Figure 35 MDI connector Near-End Test Loop

3.6.3.1.3 Echo Test Loop

The DEC (Digital Echo Canceler) test loop allows for the transmit signal to be looped back via the Digital Echo Canceler (DEC). This loop-back is similar to the functionality of the MDI test loop as described in **Chapter 3.6.3.1.2**, except that it does not require a special termination circuitry at the MDI connector. The user of this test loop has the option to terminate each twisted pair with a 100 Ω resistor. When executing this test, the PMA trains the DEC to the echo that is inherently present because of non-ideal line terminations. Since there is no far-end signal, and the echo is canceled out at the summation point, the synthesized echo replica signal at the output of the DEC is used as a receive signal. This setup allows for the complete transceiver to be tested in 1000BASE-T mode, without the need for additional hardware to be attached. **Figure 36** shows a high-level block diagram, where the test loop data-path is marked by the area shaded in gray. This test loop can be applied to all the supported MAC interfaces described in **Chapter 3.2**, but is only applicable to 1000BASE-T. The test loop is activated by setting `MDIO.PHY.PHYCTL1.TLOOP = ECHO`, and by activating the 1000BASE-T forced mode using `MDIO.STD.CTRL.SSM = 1B` and `MDIO.STD.CTRL.SSL = 0B`.

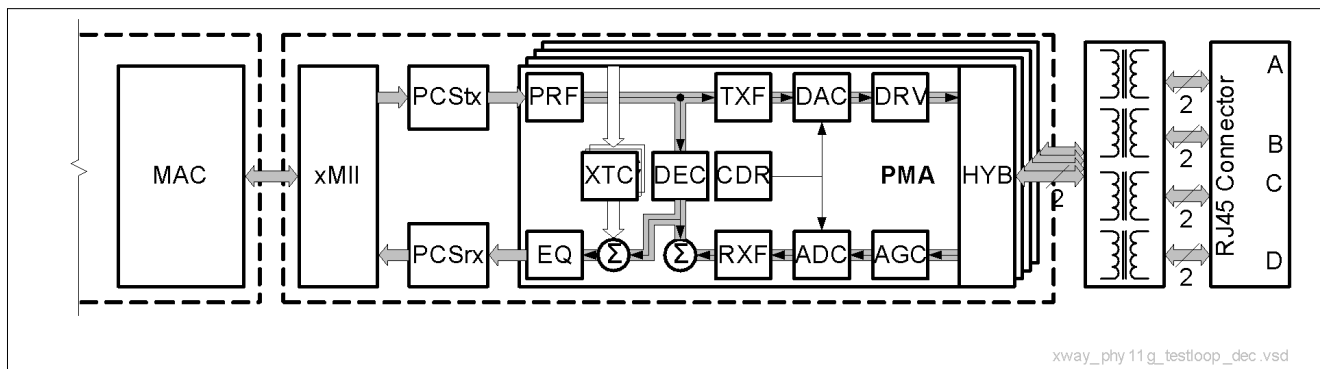


Figure 36 Echo Near-End Test Loop

3.6.3.2 Far-End Test Loop

The PCS far-end test loop allows for the receive data at the output of the receive PCS to be fed back into the transmit path, that is, the input of the transmit PCS. The received data is also available at the xMII interface output, however all xMII transmit data is ignored in this test mode. **Figure 37** shows a high-level block diagram, where the test loop data-path is marked by the area shaded in gray. This test loop can be applied to all the supported MAC interfaces described in **Chapter 3.2**. The test is also applicable to all supported types of MDI physical-layer standards as described in **Chapter 3.3**. This test loop is activated by setting the bit `MDIO.PHY.PHYCTL1.TLOOP = FETL`. Note that the test-loop is only operable when the link is operational. It is activated at the next link-up.

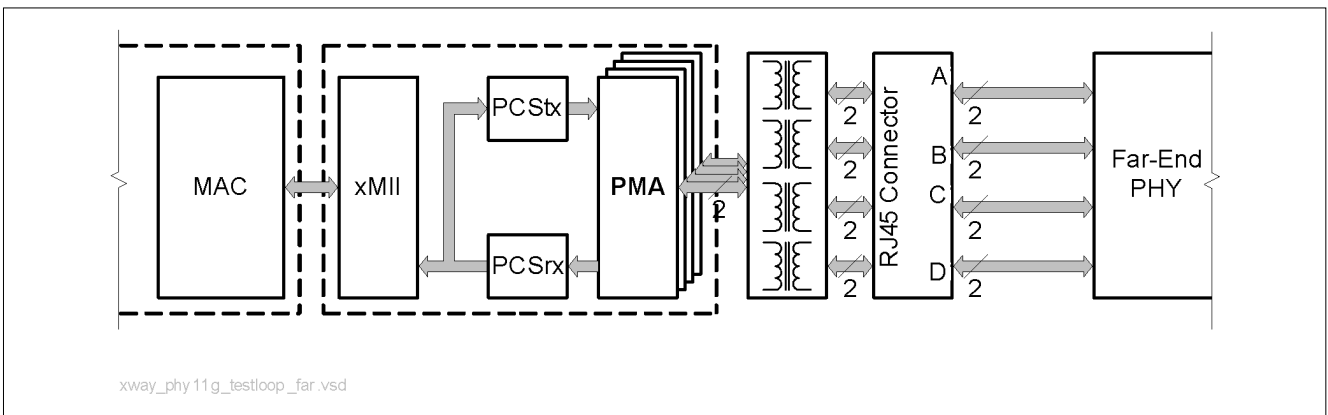


Figure 37 PCS Far-End Test Loop

4 MDIO Registers

This chapter defines all the registers needed to operate the module "MDIO_REGISTERS".¹⁾

Table 33 Registers Address Space

Module	Base Address	End Address	Note
MDIO_REGISTERS	00 _H	60 _H	

Table 34 Registers Overview

Register Short Name	Register Long Name	Offset Address	Page Number
STD			
STD_CTRL	Control	00 _H	82
STD_STAT	Status Registers	01 _H	85
STD_PHYID1	PHY Identifier 1	02 _H	87
STD_PHYID2	PHY Identifier 2	03 _H	88
STD_AN_ADV	Auto-Negotiation Advertisement	04 _H	89
STD_AN_LPA	Auto-Negotiation Link-Partner Ability	05 _H	90
STD_AN_EXP	Auto-Negotiation Expansion	06 _H	92
STD_AN_NPTX	Auto-Negotiation Next-Page Transmit Register	07 _H	93
STD_AN_NPRX	Auto-Negotiation Link-Partner Received Next-Page Register	08 _H	94
STD_GCTRL	Gigabit Control Register	09 _H	96
STD_GSTAT	Gigabit Status Register	0A _H	98
STD_RES11	Reserved	0B _H	100
STD_RES12	Reserved	0C _H	100
STD_MMDCTRL	MMD Access Control Register	0D _H	101
STD_MMDDATA	MMD Access Data Register	0E _H	102
STD_XSTAT	Extended Status Register	0F _H	103
PHY			
PHY_PHYPERF	Physical Layer Performance Status	10 _H	104
PHY_PHYSTAT1	Physical Layer Status 1	11 _H	105
PHY_PHYSTAT2	Physical Layer Status 2	12 _H	106
PHY_PHYCTL1	Physical Layer Control 1	13 _H	107
PHY_PHYCTL2	Physical Layer Control 2	14 _H	109
PHY_ERRCNT	Error Counter	15 _H	111
PHY_EECTRL	EEPROM Control Register	16 _H	112
PHY_MIICTRL	Media-Independent Interface Control	17 _H	114
PHY_MIISTAT	Media-Independent Interface Status	18 _H	116
PHY_IMASK	Interrupt Mask Register	19 _H	117
PHY_ISTAT	Interrupt Status Register	1A _H	120

1) Generated by REFIGE v1.4 - Beta Release XIV

Table 34 Registers Overview (cont'd)

Register Short Name	Register Long Name	Offset Address	Page Number
PHY_LED	LED Control Register	1B _H	123
PHY_TPGCTRL	Test-Packet Generator Control	1C _H	125
PHY_TPGDATA	Test-Packet Generator Data	1D _H	128
PHY_FWV	Firmware Version Register	1E _H	129
PHY_RES1F	Reserved	1F _H	130

The register is addressed wordwise.

Table 35 Register Access Types

Mode	Symbol
Status Register, Latch-High	ROLH
Status Register, Latch-Low	ROLL
Status Register, Self-Clearing	ROSC
Read-Write Register	RW
Read-Write Register, Self-Clearing	RWSC
Status Register	RO

4.1 STD: Standard Management Registers

This section describes the IEEE 802.3 standard management registers.

Control

This register controls the main functions of the PHY. See also IEEE 802.3-2008 22.2.4.1.

STD_CTRL		Offset		Reset Value			
Control		00 _H		1040 _H			
15	14	13	12	11	10	9	8
RST	LB	SSL	ANEN	PD	ISOL	ANRS	DPLX
rWSC	rW	rW	rW	rW	rW	rWSC	rW
7	6	5					0
COL	SSM			RES			
rW	rW			r0			

Field	Bits	Type	Description
RST	15	RWSC	<p>Reset Resets the PHY to its default state. Active links are terminated. Note that this is a self-clearing bit which is set to zero by the hardware after reset has been done. See also IEEE 802.3-2008 22.2.4.1.1.</p> <p>Constants 0_B NORMAL Normal operational mode 1_B RESET Resets the device</p>
LB	14	RW	<p>Loop-Back This mode enables looping back of MII data from the transmit to the receive direction. No data is transmitted to the medium via MDI. The device operates at the selected speed. The collision signal remains de-asserted unless otherwise forced by the collision test. See also IEEE 802.8-2008 22.2.4.1.2.</p> <p>Constants 0_B NORMAL Normal operational mode 1_B ENABLE Closes the loop-back from TX to RX at xMII</p>
SSL	13	RW	<p>Forced Speed-Selection LSB Note that this bit only takes effect when the auto-negotiation process is disabled, that is, bit CTRL.ANEN is set to zero. This is the LSB (CTRL.SSL) of the forced speed-selection register SS. In conjunction with the MSB (CTRL.SSM), the following encoding is valid: SS=0: 10 Mbit/s SS=1: 100 Mbit/s SS=2: 1000 Mbit/s SS=3: Reserved</p>

MDIO Registers

Field	Bits	Type	Description
ANEN	12	RW	<p>Auto-Negotiation Enable</p> <p>Allows enabling and disabling of the auto-negotiation process capability of the PHY. If enabled, the force bits for duplex mode (CTRL.DPLX) and the speed selection (CTRL.SSM, CTRL.SSL) become inactive. Otherwise, the force bits define the PHY operation. See also IEEE 802.3-2008 22.2.4.1.4.</p> <p>Constants</p> <p>0_B DISABLE Disable the auto-negotiation protocol</p> <p>1_B ENABLE Enable the auto-negotiation protocol</p>
PD	11	RW	<p>Power Down</p> <p>Forces the device into a power-down state where power consumption is the bare minimum required to still maintain the MII management interface communication. When activating the power-down functionality, the PHY terminates active data links. None of the xMII interface work in power-down mode. See also IEEE 802.3-2008 22.2.4.1.5.</p> <p>Constants</p> <p>0_B NORMAL Normal operational mode</p> <p>1_B POWERDOWN Forces the device into power-down mode</p>
ISOL	10	RW	<p>Isolate</p> <p>The isolation mode isolates the PHY from the MAC. MAC interface inputs are ignored, whereas MAC interface outputs are set to tristate (high-impedance). See also IEEE 802.3-2008 22.2.4.1.6.</p> <p>Constants</p> <p>0_B NORMAL Normal operational mode</p> <p>1_B ISOLATE Isolates the PHY from the MAC</p>
ANRS	9	RWSC	<p>Restart Auto-Negotiation</p> <p>Restarts the auto-negotiation process on the MDI. This bit does not take any effect when auto-negotiation is disabled using (CTRL.ANEN). Note that this bit is self-clearing after the auto-negotiation process is initiated. See also IEEE 802.3-2008 22.2.4.1.7.</p> <p>Constants</p> <p>0_B NORMAL Stay in current mode</p> <p>1_B RESTART Restart auto-negotiation</p>
DPLX	8	RW	<p>Forced Duplex Mode</p> <p>Note that this bit only takes effect when the auto-negotiation process is disabled, that is, bit CTRL.ANEN is set to zero. This bit controls the forced duplex mode. It allows forcing of the PHY into full or half-duplex mode. Note that this bit does not take effect in loop-back mode, that is, when bit CTRL.LB is set to one. See also IEEE 802.3-2008 22.2.4.1.8.</p> <p>Constants</p> <p>0_B HD Half duplex</p> <p>1_B FD Full duplex</p>

MDIO Registers

Field	Bits	Type	Description
COL	7	RW	<p>Collision Test Allows\$WORKAREA/units/mdio/source testing of the COL signal at the xMII interface. When the collision test is enabled, the state of the TX_EN signal is looped back to the COL signal within a minimum latency time. See also IEEE 802.3-2008 22.2.4.1.9.</p> <p>Constants 0_B DISABLE Normal operational mode 1_B ENABLE Activates the collision test</p>
SSM	6	RW	<p>Forced Speed-Selection MSB See the description of SSL. See also IEEE 802.3-2008 22.2.4.1.3.</p>
RES	5:0	RO	<p>Reserved Write as zero, ignore on read.</p>

Status Registers

This register contains status and capability information about the device. Note that all bits are read-only. A write access by the MAC does not have any effect. See also IEEE 802.3-2008 22.2.4.2.

STD_STAT		Offset		Reset Value			
Status Registers		01 _H		7949 _H			
15	14	13	12	11	10	9	8
CBT4	CBTXF	CBTXH	XBTF	XBTH	CBT2F	CBT2H	EXT
ro	ro	ro	ro	ro	ro	ro	ro
7	6	5	4	3	2	1	0
RES	MFPS	ANOK	RF	ANAB	LS	JD	XCAP
ro	ro	ro	rolh	ro	roll	rolh	ro

Field	Bits	Type	Description
CBT4	15	RO	IEEE 100BASE-T4 Specifies the 100BASE-T4 ability. See also IEEE 802.3-2008 22.2.4.2.1. Constants 0 _B DISABLED PHY does not support this mode 1 _B ENABLED PHY supports this mode
CBTXF	14	RO	IEEE 100BASE-TX Full-Duplex Specifies the 100BASE-TX full-duplex ability. See also IEEE 802.3-2008 22.2.4.2.2. Constants 0 _B DISABLED PHY does not support this mode 1 _B ENABLED PHY supports this mode
CBTXH	13	RO	IEEE 100BASE-TX Half-Duplex Specifies the 100BASE-TX half-duplex ability. See also IEEE 802.3-2008 22.2.4.2.3. Constants 0 _B DISABLED PHY does not support this mode 1 _B ENABLED PHY supports this mode
XBTF	12	RO	IEEE 10BASE-T Full-Duplex Specifies the 10BASE-T full-duplex ability. See also IEEE 802.3-2008 22.2.4.2.4. Constants 0 _B DISABLED PHY does not support this mode 1 _B ENABLED PHY supports this mode
XBTH	11	RO	IEEE 10BASE-T Half-Duplex Specifies the 10BASE-T half-duplex ability. See also IEEE 802.3-2008 22.2.4.2.5. Constants 0 _B DISABLED PHY does not support this mode 1 _B ENABLED PHY supports this mode

MDIO Registers

Field	Bits	Type	Description
CBT2F	10	RO	<p>IEEE 100BASE-T2 Full-Duplex Specifies the 100BASE-T2 full-duplex ability. See also IEEE 802.3-2008 22.2.4.2.6.</p> <p>Constants 0_B DISABLED PHY does not support this mode 1_B ENABLED PHY supports this mode</p>
CBT2H	9	RO	<p>IEEE 100BASE-T2 Half-Duplex Specifies the 100BASE-T2 half-duplex ability. See also IEEE 802.3-2008 22.2.4.2.7.</p> <p>Constants 0_B DISABLED PHY does not support this mode 1_B ENABLED PHY supports this mode</p>
EXT	8	RO	<p>Extended Status The extended status registers are used to specify 1000 Mbit/s speed capabilities in the register XSTAT. See also IEEE 802.3-2008 clause 22.2.4.2.16.</p> <p>Constants 0_B DISABLED No extended status information available in register 15 1_B ENABLED Extended status information available in register 15</p>
RES	7	RO	<p>Reserved Ignore when read.</p>
MFPS	6	RO	<p>Management Preamble Suppression Specifies the MF preamble suppression ability. See also IEEE 802.3-2008 22.2.4.2.9.</p> <p>Constants 0_B DISABLED PHY requires management frames with preamble 1_B ENABLED PHY accepts management frames without preamble</p>
ANOK	5	RO	<p>Auto-Negotiation Completed Indicates whether the auto-negotiation process is completed or in progress. See also IEEE 802.3-2008 22.2.4.2.10.</p> <p>Constants 0_B RUNNING Auto-negotiation process is in progress 1_B COMPLETED Auto-negotiation process is completed</p>
RF	4	ROLH	<p>Remote Fault Indicates the detection of a remote fault event. See also IEEE 802.3-2008 22.2.4.2.11.</p> <p>Constants 0_B INACTIVE No remote fault condition detected 1_B ACTIVE Remote fault condition detected</p>
ANAB	3	RO	<p>Auto-Negotiation Ability Specifies the auto-negotiation ability. See also IEEE 802.3-2008 22.2.4.2.12.</p> <p>Constants 0_B DISABLED PHY is not able to perform auto-negotiation 1_B ENABLED PHY is able to perform auto-negotiation</p>

MDIO Registers

Field	Bits	Type	Description
LS	2	ROLL	<p>Link Status Indicates the link status of the PHY to the link partner. See also IEEE 802.3-2008 22.2.4.2.13.</p> <p>Constants 0_B INACTIVE The link is down. No communication with link partner possible. 1_B ACTIVE The link is up. Data communication with link partner is possible.</p>
JD	1	ROLH	<p>Jabber Detect Indicates that a jabber event has been detected. See also IEEE 802.3-2008 22.2.4.2.14.</p> <p>Constants 0_B NONE No jabber condition detected 1_B DETECTED Jabber condition detected</p>
XCAP	0	RO	<p>Extended Capability Indicates the availability and support of extended capability registers. See also IEEE 802.3-2008 22.2.4.2.15.</p> <p>Constants 0_B DISABLED Only base registers are supported 1_B ENABLED Extended capability registers are supported</p>

PHY Identifier 1

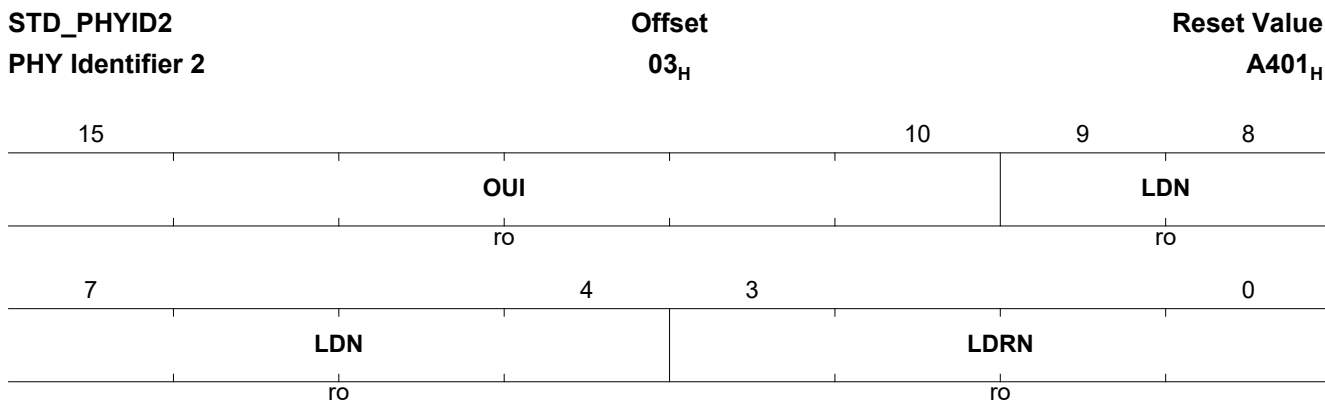
This is the first of two PHY identification registers containing the MSBs of a 32-bit code. This code specifies the Organizationally Unique Identifier (OUI), and the vendor's model and revision number.

STD_PHYID1	Offset	Reset Value
PHY Identifier 1	02 _H	D565 _H
15		8
	OUI	
	ro	
7		0
	OUI	
	ro	

Field	Bits	Type	Description
OUI	15:0	RO	<p>Organizationally Unique Identifier Bits 3:18 This register holds the bits 3:18 of the OUI code, which is specified to be OUI=AC-9A-96. See also IEEE 802.3-2008 22.2.4.3.1.</p>

PHY Identifier 2

This is the second of 2 PHY identification registers containing the LSBs of a 32-bit code. This code specifies the Organizationally Unique Identifier (OUI), and the vendor's model and revision number. See also IEEE 802.3-2008 22.2.4.3.1.



Field	Bits	Type	Description
OUI	15:10	RO	Organizationally Unique Identifier Bits 19:24 This register holds the bits 19:24 of the OUI code, which is specified to be OUI=AC-9A-96.
LDN	9:4	RO	Lantiq Device Number Specifies the device number, in order to distinguish between several products.
LDRN	3:0	RO	Lantiq Device Revision Number Specifies the device revision number, in order to distinguish between several versions of this device.

Auto-Negotiation Advertisement

This register contains the advertised abilities of the PHY during auto-negotiation. See also IEEE 802.3-2008 28.2.4.1.3, as well as IEEE 802.3-2008 Table 28-2.

STD_AN_ADV			Offset	Reset Value
Auto-Negotiation Advertisement			04 _H	01E1 _H
15	14	13	12	8
NP	RES	RF		TAF
rw	ro	rw		rw
7		5	4	0
	TAF			SF
	rw			rw

Field	Bits	Type	Description
NP	15	RW	<p>Next Page Next-page indication is encoded in bit AN_ADV.NP regardless of the selector field value or link code word encoding. The PHY always advertises NP if a 1000BASE-T mode is advertised during auto-negotiation. See also IEEE 802.3-2008 28.2.1.2.6.</p> <p>Constants 0_B INACTIVE No next page(s) will follow 1_B ACTIVE Additional next page(s) will follow</p>
RES	14	RO	<p>Reserved Write as zero, ignore on read.</p>
RF	13	RW	<p>Remote Fault The remote fault bit allows indication of a fault to the link partner. See also IEEE 802.3-2008 28.2.1.2.4.</p> <p>Constants 0_B NONE No remote fault is indicated 1_B FAULT A remote fault is indicated</p>

MDIO Registers

Field	Bits	Type	Description
TAF	12:5	RW	<p>Technology Ability Field</p> <p>The technology ability field is an eight-bit wide field containing information indicating supported technologies as defined by the following constants specific to the selector field value. These bits are mapped to individual technologies such that abilities are advertised in parallel for a single selector field value. In converter mode, the field is always forced to value 0x60. The TAF encoding for the IEEE 802.3 selector (AN_ADV.SF=0x1) is described in IEEE 802.3-2008 Annex 28B.2 and in Annex 28D. See also IEEE 802.3-2008 28.2.1.2.2.</p> <p>Constants</p> <p>00000001_BXBT_HDX Advertise 10BASE-T half duplex 00000010_BXBT_FDX Advertise 10BASE-T full duplex 00000100_BDBT_HDX Advertise 100BASE-TX half duplex 00001000_BDBT_FDX Advertise 100BASE-TX full duplex 00010000_BDBT4 Advertise 100BASE-T4 00100000_BPS_SYM Advertise symmetric pause 01000000_BPS_ASYM Advertise asymmetric pause 10000000_BRES Reserved for future technologies</p>
SF	4:0	RW	<p>Selector Field</p> <p>The selector field is a five-bit wide field for encoding 32 possible messages. Selector field encoding definitions are shown in IEEE 802.3-2008 Annex 28A. Combinations not specified are reserved for future use. Reserved combinations of the selector field are not to be transmitted. See also IEEE 802.3-2008 28.2.1.2.1.</p> <p>Constants</p> <p>00001_BIEEE802DOT3 Select the IEEE 802.3 technology</p>

Auto-Negotiation Link-Partner Ability

All of the bits in the auto-negotiation link-partner ability register are read-only. A write to the auto-negotiation link-partner ability register has no effect. This register contains the advertised ability of the link partner (see also IEEE 802.3-2008 Tables 28-3 and 28-4). The bit definitions are a direct representation of the received link-code word (see also IEEE 802.3-2008 Figure 28-7). See also IEEE 802.3-2008 22.2.4.3.3.

STD_AN_LPA			Offset	Reset Value
Auto-Negotiation Link-Partner Ability			05 _H	0000 _H
15	14	13	12	8
NP	ACK	RF		TAF
ro	ro	ro		ro
7		5	4	0
	TAF			SF
	ro			ro

Field	Bits	Type	Description
NP	15	RO	<p>Next Page Next-page request indication from the link partner. See also IEEE 802.3-2008 28.2.1.2.6.</p> <p>Constants 0_B INACTIVE No next page(s) will follow 1_B ACTIVE Additional next pages will follow</p>
ACK	14	RO	<p>Acknowledge Acknowledgment indication from the link partner's link-code word. See also IEEE 802.3-2008 28.2.1.2.5.</p> <p>Constants 0_B INACTIVE The device did not successfully receive its link partner's link code word 1_B ACTIVE The device has successfully received its link partner's link-code word</p>
RF	13	RO	<p>Remote Fault Remote fault indication from the link partner. See also IEEE 802.3-2008 28.2.1.2.4.</p> <p>Constants 0_B NONE Remote fault is not indicated by the link partner 1_B FAULT Remote fault is indicated by the link partner</p>
TAF	12:5	RO	<p>Technology Ability Field Indicates the link-partner capabilities as received from the link partner's link-code word. See also IEEE 802.3-2008 28.2.1.2.2.</p> <p>Constants 00000001_BXBT_HDX Link partner advertised 10BASE-T half duplex 00000010_BXBT_FDX Link partner advertised 10BASE-T full duplex. 00000100_BDBT_HDX Link partner advertised 100BASE-TX half duplex 00001000_BDBT_FDX Link partner advertised 100BASE-TX full duplex 00010000_BDBT4 Link partner advertised 100BASE-T4 00100000_BPS_SYM Link partner advertised symmetric pause 01000000_BPS_ASYM Link partner advertised asymmetric pause 10000000_BRES Reserved for future technologies; should be zero</p>
SF	4:0	RO	<p>Selector Field The selector field represents one of the 32 possible messages. Note that it must fit to the advertised selector field in AN_ADV.SF. Selector field encoding definitions are shown in IEEE 802.3-2008 Annex 28A.</p> <p>Constants 00001_BIEEE802DOT3 Select the IEEE 802.3 technology</p>

Auto-Negotiation Expansion

This is the auto-negotiation expansion register indicating the status of the link partner's auto-negotiation. See also IEEE 802.3-2008 28.2.4.1.5.

STD_AN_EXP	Offset	Reset Value
Auto-Negotiation Expansion	06 _H	0004 _H
15		8
RESD		
ro		
7	5	4
3	2	1
0		
RESD	PDF	LPNPC
NPC	PR	LPANC
ro	rolh	ro
ro	rolh	ro

Field	Bits	Type	Description
RESD	15:5	RO	Reserved Write as zero, ignore on read.
PDF	4	ROLH	Parallel Detection Fault Note that this bit latches high. It is set to zero upon read of AN_EXP. See also IEEE 802.3-2008 28.2.4.1.5. Constants 0 _B NONE A fault has not been detected via the parallel detection function 1 _B FAULT A fault has been detected via the parallel detection function
LPNPC	3	RO	Link Partner Next-Page Capable See also IEEE 802.3-2008 28.2.4.1.5. Constants 0 _B UNABLE Link partner is unable to exchange next pages 1 _B CAPABLE Link partner is capable of exchanging next pages
NPC	2	RO	Next-Page Capable See also IEEE 802.3-2008 28.2.4.1.5. Constants 0 _B UNABLE Local Device is unable to exchange next pages 1 _B CAPABLE Local device is capable of exchanging next pages
PR	1	ROLH	Page Received Note that this bit latches high. It is set to zero upon read of AN_EXP. See also IEEE 802.3-2008 28.2.4.1.5. Constants 0 _B NONE A new page has not been received 1 _B RECEIVED A new page has been received
LPANC	0	RO	Link Partner Auto-Negotiation Capable See also IEEE 802.3-2008 28.2.4.1.5. Constants 0 _B UNABLE Link partner is unable to auto-negotiate 1 _B CAPABLE Link partner is auto-negotiation capable

Auto-Negotiation Next-Page Transmit Register

The auto-negotiation next-page transmit register contains the next-page link-code word to be transmitted when next-page ability is supported. On power-up, this register contains the default value of 0x2001, which represents a message page with the message code set to the null message. See also IEEE 802.3-2008 28.2.4.1.6.

STD_AN_NPTX		Offset		Reset Value		
Auto-Negotiation Next-Page Transmit Register		07 _H		2001 _H		
15	14	13	12	11	10	8
NP	RES	MP	ACK2	TOGG		MCF
rw	ro	rw	rw	ro		rw
7						0
MCF						
rw						

Field	Bits	Type	Description
NP	15	RW	Next Page See IEEE 802.3-2008 28.2.3.4. Constants 0 _B INACTIVE Last page 1 _B ACTIVE Additional next page(s) will follow
RES	14	RO	Reserved Write as zeros, ignore on read.
MP	13	RW	Message Page Indicates that the content of MCF is either an unformatted page or a formatted message. See IEEE 802.3-2008 28.2.3.4. Constants 0 _B UNFOR Unformatted page 1 _B MESSG Message page
ACK2	12	RW	Acknowledge 2 See also IEEE 802.3-2008 28.2.3.4. Constants 0 _B INACTIVE Device cannot comply with message 1 _B ACTIVE Device will comply with message
TOGG	11	RO	Toggle See also IEEE 802.3-2008 28.2.3.4. Constants 0 _B ZERO Previous value of the transmitted link-code word was equal to logic ONE 1 _B ONE Previous value of the transmitted link-code word was equal to logic ZERO
MCF	10:0	RW	Message or Unformatted Code Field See also IEEE 802.3-2008 28.2.3.4.

Auto-Negotiation Link-Partner Received Next-Page Register

The auto-negotiation link-partner received next-page register contains the next-page link-code word received from the link partner. See also IEEE 802.3-2008 28.2.4.1.7.

STD_AN_NPRX		Offset		Reset Value		
Auto-Negotiation Link-Partner Received Next-Page Register		08 _H		2001 _H		
15	14	13	12	11	10	8
NP	ACK	MP	ACK2	TOGG		MCF
ro	ro	ro	ro	ro		ro
7						0
						MCF
						ro

Field	Bits	Type	Description
NP	15	RO	Next Page See IEEE 802.3-2008 28.2.3.4. Constants 0 _B INACTIVE No next pages to follow 1 _B ACTIVE Additional next page(s) will follow
ACK	14	RO	Acknowledge See also IEEE 802.3-2008 28.2.3.4. Constants 0 _B INACTIVE The device did not successfully receive its link partner's link-code word 1 _B ACTIVE The device has successfully received its link partner's link-code word
MP	13	RO	Message Page Indicates that the content of MCF is either an unformatted page or a formatted message. See also IEEE 802.3-2008 28.2.3.4. Constants 0 _B UNFOR Unformatted page 1 _B MESSG Message page
ACK2	12	RO	Acknowledge 2 See also IEEE 802.3-2008 28.2.3.4. Constants 0 _B INACTIVE Device cannot comply with message 1 _B ACTIVE Device will comply with message

MDIO Registers

Field	Bits	Type	Description
TOGG	11	RO	<p>Toggle See also IEEE 802.3-2008 28.2.3.4.</p> <p>Constants</p> <p>0_B ZERO Previous value of the transmitted link-code word was equal to logic ONE.</p> <p>1_B ONE Previous value of the transmitted link-code word was equal to logic ZERO.</p>
MCF	10:0	RO	<p>Message or Unformatted Code Field See also IEEE 802.3-2008 28.2.3.4.</p>

Gigabit Control Register

This is the control register used to configure the Gigabit Ethernet behavior of the PHY. See also IEEE 802.3-2008 40.5.1.1.

STD_GCTRL	Offset						Reset Value
Gigabit Control Register	09 _H						0300 _H
15	13	12	11	10	9	8	
	TM		MSEN	MS	MSPT	MBTFD	MBTHD
	rw		rw	rw	rw	rw	rw
7							0
RES							
ro							

Field	Bits	Type	Description
TM	15:13	RW	<p>Transmitter Test Mode</p> <p>This register field allows enabling of the standard transmitter test modes. See also IEEE 802.3-2008 Table 40-7.</p> <p>Constants</p> <p>000_B NOP Normal operation</p> <p>001_B WAV Test mode 1 transmit waveform test</p> <p>010_B JITM Test mode 2 transmit jitter test in MASTER mode</p> <p>011_B JITS Test mode 3 transmit jitter test in SLAVE mode</p> <p>100_B DIST Test mode 4 transmitter distortion test</p> <p>101_B RES0 Reserved, operations not identified.</p> <p>110_B CDIAG Cable diagnostics.</p> <p>111_B ABIST Analog build in self-test</p>
MSEN	12	RW	<p>Master/Slave Manual Configuration Enable</p> <p>See also IEEE 802.3-2008 40.5.1.1.</p> <p>Constants</p> <p>0_B DISABLED Disable master/slave manual configuration value</p> <p>1_B ENABLED Enable master/slave manual configuration value</p>
MS	11	RW	<p>Master/Slave Config Value</p> <p>Allows forcing of master or slave mode manually when AN_GCTRL.MSEN is set to logical one. See also IEEE 802.3-2008 40.5.1.1.</p> <p>Constants</p> <p>0_B SLAVE Configure PHY as SLAVE during master/slave negotiation, only when AN_GCTRL.MSEN is set to logical one</p> <p>1_B MASTER Configure PHY as MASTER during master/slave negotiation, only when AN_GCTRL.MSEN is set to logical one</p>

MDIO Registers

Field	Bits	Type	Description
MSPT	10	RW	<p>Master/Slave Port Type Defines whether the PHY advertises itself as a multi- or single-port device, which in turn impacts the master/slave resolution function. See also IEEE 802.3-2008 40.5.1.1.</p> <p>Constants 0_B SPD Single-port device 1_B MPD Multi-port device</p>
MBTFD	9	RW	<p>1000BASE-T Full-Duplex Advertises the 1000BASE-T full-duplex capability; always forced to 1 in converter mode. See also IEEE 802.3-2008 40.5.1.1.</p> <p>Constants 0_B DISABLED Advertise PHY as not 1000BASE-T full-duplex capable 1_B ENABLED Advertise PHY as 1000BASE-T full-duplex capable</p>
MBTHD	8	RW	<p>1000BASE-T Half-Duplex Advertises the 1000BASE-T half-duplex capability; always forced to 1 in converter mode. See also IEEE 802.3-2008 40.5.1.1.</p> <p>Constants 0_B DISABLED Advertise PHY as not 1000BASE-T half-duplex capable 1_B ENABLED Advertise PHY as 1000BASE-T half-duplex capable</p>
RES	7:0	RO	<p>Reserved Write as zero, ignore on read.</p>

Gigabit Status Register

This is the status register used to reflect the Gigabit Ethernet status of the PHY. See also IEEE 802.3-2008 40.5.1.1.

STD_GSTAT		Offset		Reset Value			
Gigabit Status Register		0A _H		0000 _H			
15	14	13	12	11	10	9	8
MSFAULT	MSRES	LRXSTAT	RRXSTAT	MBTFD	MBTHD	RES	
rolh	ro	ro	ro	ro	ro	ro	
7							0
IEC							
rosc							

Field	Bits	Type	Description
MSFAULT	15	ROLH	<p>Master/Slave Manual Configuration Fault</p> <p>This is a latching high bit. It is cleared upon each read of GSTAT. This bit will self clear on auto-negotiation enable or auto-negotiation complete. This bit will be set to active high if the number of failed master/slave resolutions reaches 7. See also IEEE 802.3-2008 40.5.1.1 register 10 in Table 40-3.</p> <p>Constants</p> <p>0_B OK Master/slave manual configuration resolved successfully</p> <p>1_B NOK Master/slave manual configuration resolved with a fault</p>
MSRES	14	RO	<p>Master/Slave Configuration Resolution</p> <p>See IEEE 802.3 40.5.1.1 register 10 in Table 40-3.</p> <p>Constants</p> <p>0_B SLAVE Local PHY configuration resolved to SLAVE</p> <p>1_B MASTER Local PHY configuration resolved to MASTER</p>
LRXSTAT	13	RO	<p>Local Receiver Status</p> <p>Indicates the status of the local receiver. See also IEEE 802.3-2008 40.5.1.1 register 10 in Table 40-3.</p> <p>Constants</p> <p>0_B NOK Local receiver not OK</p> <p>1_B OK Local receiver OK</p>
RRXSTAT	12	RO	<p>Remote Receiver Status</p> <p>Indicates the status of the remote receiver. See also IEEE 802.3-2008 40.5.1.1 register 10 in Table 40-3.</p> <p>Constants</p> <p>0_B NOK Remote receiver not OK</p> <p>1_B OK Remote receiver OK</p>

MDIO Registers

Field	Bits	Type	Description
MBTFD	11	RO	<p>Link-Partner Capable of Operating 1000BASE-T Full-Duplex See also IEEE 802.3-2008 40.5.1.1 register 10 in Table 40-3.</p> <p>Constants</p> <p>0_B DISABLED Link partner is not capable of operating 1000BASE-T full-duplex</p> <p>1_B ENABLED Link partner is capable of operating 1000BASE-T full-duplex</p>
MBTHD	10	RO	<p>Link-Partner Capable of Operating 1000BASE-T Half-Duplex See also IEEE 802.3-2008 40.5.1.1 register 10 in Table 40-3.</p> <p>Constants</p> <p>0_B DISABLED Link partner is not capable of operating 1000BASE-T half-duplex</p> <p>1_B ENABLED Link partner is capable of operating 1000BASE-T half-duplex</p>
RES	9:8	RO	<p>Reserved Write as zero, ignore on read.</p>
IEC	7:0	ROSC	<p>Idle Error Count Not implemented.</p>

MDIO Registers

Reserved

Reserved. In IEEE 802.3-2008, this register is used for Power-Sourcing-Equipment (PSE) control functions (see IEEE 802.3-2008 33.6.1.1), which is not supported by this PHY.

STD_RES11	Offset	Reset Value
Reserved	0B _H	0000 _H
15		8
	RES	
	ro	
7		0
	RES	
	ro	

Field	Bits	Type	Description
RES	15:0	RO	Reserved Write as zero, ignored on read.

Reserved

Reserved. In IEEE 802.3-2008, this register is used for Power-Sourcing-Equipment (PSE) status functions (see IEEE 802.3-2008 33.6.1.2), which is not supported by this PHY.

STD_RES12	Offset	Reset Value
Reserved	0C _H	0000 _H
15		8
	RES	
	ro	
7		0
	RES	
	ro	

Field	Bits	Type	Description
RES	15:0	RO	Reserved Write as zero, ignored on read.

MMD Access Control Register

The MMD access control register is used in conjunction with the MMDDATA register to access the MMD register space. Each MMD maintains its own individual address register, as described in IEEE 802.3-2008 clause 45.2.8. The DEVAD field directs any accesses of register MMDDATA to the appropriate MMD as described in IEEE 802.3-2008 clause 45.2. For additional insight into the operation and use of the MMD registers, see IEEE 802.3-2008 clause 22.2.4.3.11, Annex 22D and clause 45.2.

STD_MMDCTRL	Offset	Reset Value	
MMD Access Control Register	0D _H	0000 _H	
15	14	13	8
ACTYPE		RESH	
rw		ro	
7	5	4	0
RESL		DEVAD	
ro		rw	

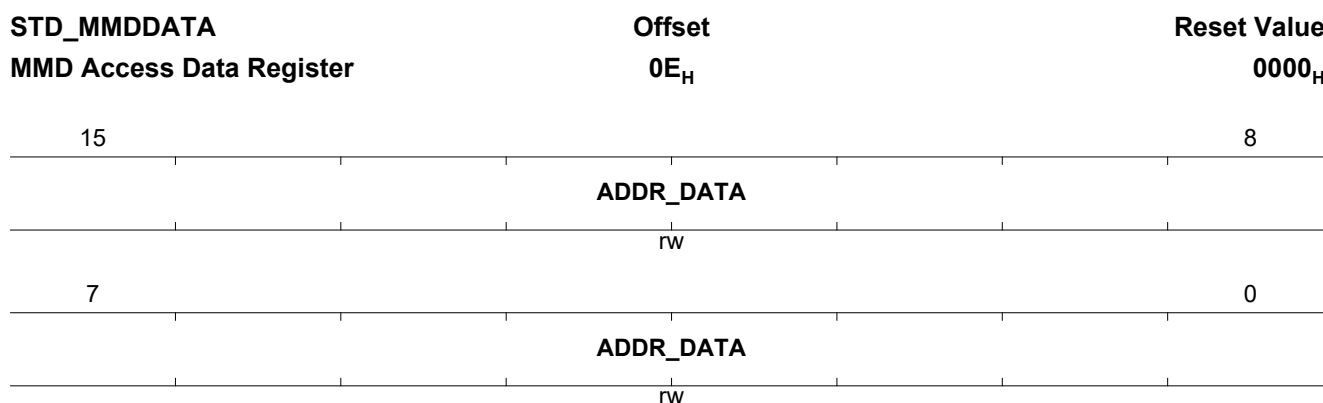
Field	Bits	Type	Description
ACTYPE	15:14	RW	<p>Access Type Function</p> <p>If the access of register MMDDATA is an address access (ACTYPE=0) then it is directed to the address register within the MMD associated with the value in the DEVAD field. Otherwise, both the DEVAD field and the MMD's address register direct the register MMDDATA data accesses to the appropriate registers within that MMD. The function field can be set to any of the constants defined (ADDRESS, DATA, DATA_PI, DATA_PIWR).</p> <p>Constants</p> <p>00_B ADDRESS Accesses to register MMDDATA access the MMD individual address register</p> <p>01_B DATA Accesses to register MMDDATA access the register within the MMD selected by the value in the MMD's address register</p> <p>10_B DATA_PI Accesses to register MMDDATA access the register within the MMD selected by the value in the MMD's address register. After this access is complete, for both read and write accesses, the value in the MMD address field is incremented.</p> <p>11_B DATA_PIWR Accesses to register MMDDATA access the register within the MMD selected by the value in the MMD's address register. After this access is complete, for write accesses only, the value in the MMDs address field is incremented. For read accesses, the value in the MMDs address field is not modified.</p>
RESH	13:8	RO	<p>Reserved</p> <p>Write as zero, ignored on read.</p>
RESL	7:5	RO	<p>Reserved</p> <p>Write as zero, ignored on read.</p>

MDIO Registers

Field	Bits	Type	Description
DEVAD	4:0	RW	Device Address The DEVAD field directs any accesses of register MMDDATA to the appropriate MMD as described in IEEE 802.3-2008 clause 45.2.

MMD Access Data Register

The MMD access data register is used in conjunction with the MMD access control (MMDCTRL) register to access the MMD register space. For more information on MMD access, refer to IEEE 802.3-2008 clause 22.2.4.3.12, clause 45.2 and Annex 22D.



Field	Bits	Type	Description
ADDR_DATA	15:0	RW	Address or Data Register This register accesses either a specific MMD address register or the data content of the MMD register to which this address register points. Which of the functions is currently valid is defined by the MMDCTRL register.

Extended Status Register

This register contains extended status and capability information about the PHY. Note that all bits are read-only. A write access does not have any effect.

STD_XSTAT		Offset		Reset Value	
Extended Status Register		0F _H		3000 _H	
15	14	13	12	11	8
MBXF	MBXH	MBTF	MBTH		RESH
ro	ro	ro	ro		ro
7					0
				RESL	
				ro	

Field	Bits	Type	Description
MBXF	15	RO	1000BASE-X Full-Duplex Capability Specifies whether the PHY is capable of operating 1000BASE-X full-duplex. Constants 0 _B DISABLED PHY does not support this mode 1 _B ENABLED PHY supports this mode
MBXH	14	RO	1000BASE-X Half-Duplex Capability Specifies whether the PHY is capable of operating 1000BASE-X half-duplex. Constants 0 _B DISABLED PHY does not support this mode 1 _B ENABLED PHY supports this mode
MBTF	13	RO	1000BASE-T Full-Duplex Capability Specifies whether the PHY is capable of operating 1000BASE-T full-duplex. Constants 0 _B DISABLED PHY does not support this mode 1 _B ENABLED PHY supports this mode
MBTH	12	RO	1000BASE-T Half-Duplex Capability Specifies whether the PHY is capable of operating 1000BASE-T full-duplex. Constants 0 _B DISABLED PHY does not support this mode 1 _B ENABLED PHY supports this mode
RESH	11:8	RO	Reserved Ignore when read.
RESL	7:0	RO	Reserved Ignore when read.

4.2 PHY: PHY-Specific Management Registers

This chapter describes the PHY-specific management registers.

Physical Layer Performance Status

This register reports the PHY performance in the current mode of operation. The content of this register is only valid when the link is up.

PHY_PHYPERF	Offset	Reset Value
Physical Layer Performance Status	10 _H	80FF _H
15		8
FREQ		
	ro	
7	4	3
	ro	ro
	SNR	LEN
	ro	ro

Field	Bits	Type	Description
FREQ	15:8	RO	Frequency Offset of Link-Partner [ppm] This register fields reports the measured frequency offset of the receiver in ppm as a signed 2's complement number. Note that a value of -128 (0x80) indicates an invalid number.
SNR	7:4	RO	Receive SNR Margin [dB] This register field reports the measured SNR margin of the receiver in dB. The value saturates at a 14-dB SNR margin for very short links and 0 dB for very long links. A value of 15 indicates an invalid number. Constants 1111 _B INVALID Invalid value
LEN	3:0	RO	Estimated Loop Length (Valid During Link-Up) This register field reports the estimated loop length compared to a virtually ideal CAT5e straight cable. The unit is LEN x 10m. A value of 15 indicates an invalid number.

Physical Layer Status 1

This register reports PHY lock information, for example link-up, polarity reversals and port mapping. The content of this register is only valid when the link is up.

PHY_PHYSTAT1							Offset	Reset Value
Physical Layer Status 1							11 _H	0000 _H
							9	8
RESH							LSADS	
ro							rosc	
7	6	5	4	3	2	1	0	
POLD	POLC	POLB	POLA	MDICD	MDIAB	RESL		
ro	ro	ro	ro	ro	ro	ro		

Field	Bits	Type	Description
RESH	15:9	RO	Reserved Write as zero, ignored on read.
LSADS	8	ROSC	Link-Speed Auto-Downspeed Status Monitors the status of the link speed auto-downspeed controlled in PHYCTL1.LDADS Constants 0 _B NORMAL Did not perform any link speed auto-downspeed 1 _B DETECTED Detected an auto-downspeed
POLD	7	RO	Receive Polarity Inversion Status on Port D Constants 0 _B NORMAL Polarity normal 1 _B INVERTED Polarity inversion detected
POLC	6	RO	Receive Polarity Inversion Status on Port C Constants 0 _B NORMAL Polarity normal 1 _B INVERTED Polarity inversion detected
POLB	5	RO	Receive Polarity Inversion Status on Port B Constants 0 _B NORMAL Polarity normal 1 _B INVERTED Polarity inversion detected
POLA	4	RO	Receive Polarity Inversion Status on Port A Constants 0 _B NORMAL Polarity normal 1 _B INVERTED Polarity inversion detected
MDICD	3	RO	Mapping of MDI ports C and D Constants 0 _B MDI Normal MDI mode 1 _B MDIX Crossover MDI-X mode

MDIO Registers

Field	Bits	Type	Description
MDIAB	2	RO	Mapping of MDI ports A and B Constants 0 _B MDI Normal MDI mode 1 _B MDIX Crossover MDI-X mode
RESL	1:0	RO	Reserved Write as zero, ignored on read.

Physical Layer Status 2

This register reports PHY lock information, for example, pair skews in the GbE mode. The content of this register is only valid when the link is up.

PHY_PHYSTAT2		Offset		Reset Value	
Physical Layer Status 2		12 _H		0000 _H	
15	14	12	11	10	8
RESD	SKEWD	RESC	SKEWC		
ro	ro	ro	ro		
7	6	4	3	2	0
RESB	SKEWB	RESA	SKEWA		
ro	ro	ro	ro		

Field	Bits	Type	Description
RESD	15	RO	Reserved Write as zero, ignored on read.
SKEWD	14:12	RO	Receive Skew on Port D The skew is reported as an unsigned number of symbol periods.
RESC	11	RO	Reserved Write as zero, ignored on read.
SKEWC	10:8	RO	Receive Skew on Port C The skew is reported as an unsigned number of symbol periods.
RESB	7	RO	Reserved Write as zero, ignored on read.
SKEWB	6:4	RO	Receive Skew on Port B The skew is reported as an unsigned number of symbol periods.
RESA	3	RO	Reserved Write as zero, ignored on read.
SKEWA	2:0	RO	Receive Skew on Port A The skew is reported as an unsigned number of symbol periods.

Physical Layer Control 1

This register controls the PHY functions.

PHY_PHYCTL1		Offset		Reset Value			
Physical Layer Control 1		13 _H		0001 _H			
15	13	12	11	8			
TLOOP		TXOFF	TXADJ				
rw		rw	rw				
7	6	5	4	3	2	1	0
POLD	POLC	POLB	POLA	MDICD	MDIAB	TXEEE10	AMDIX
rw	rw	rw	rw	rw	rw	rw	rw

Field	Bits	Type	Description
TLOOP	15:13	RW	Test Loop Configures predefined test loops. Constants 000 _B OFF Test loops are switched off - normal operation. 001 _B NETL Near-end test loop 010 _B FETL Far-end test loop 011 _B ECHO Echo test loop 100 _B RJTL RL45 connector test loop 101 _B FETLS Standalone Far-end test loop. No dependency on TX_CLK and RX_CLK on the (G)MII interface
TXOFF	12	RW	Transmitter Off This register bit allows turning off of the transmitter. This feature might be useful for return loss measurements. Constants 0 _B ON Transmitter is on 1 _B OFF Transmitter is off
TXADJ	11:8	RW	Transmit Level Adjustment Transmit-level adjustment can be used to fine tune the transmit amplitude of the PHY. The amplitude adjustment is valid for all supported speed modes. The adjustment is performed in digits. One digit represents 3.125 percent of the nominal amplitude. The scaling factor is gain = 1 + signed(TXADJ)*2 ⁻⁷ .
POLD	7	RW	Transmit Polarity Inversion Status on Port D Constants 0 _B NORMAL Polarity normal 1 _B INVERTED Polarity inversion
POLC	6	RW	Transmit Polarity Inversion Status on Port C Constants 0 _B NORMAL Polarity normal 1 _B INVERTED Polarity inversion

MDIO Registers

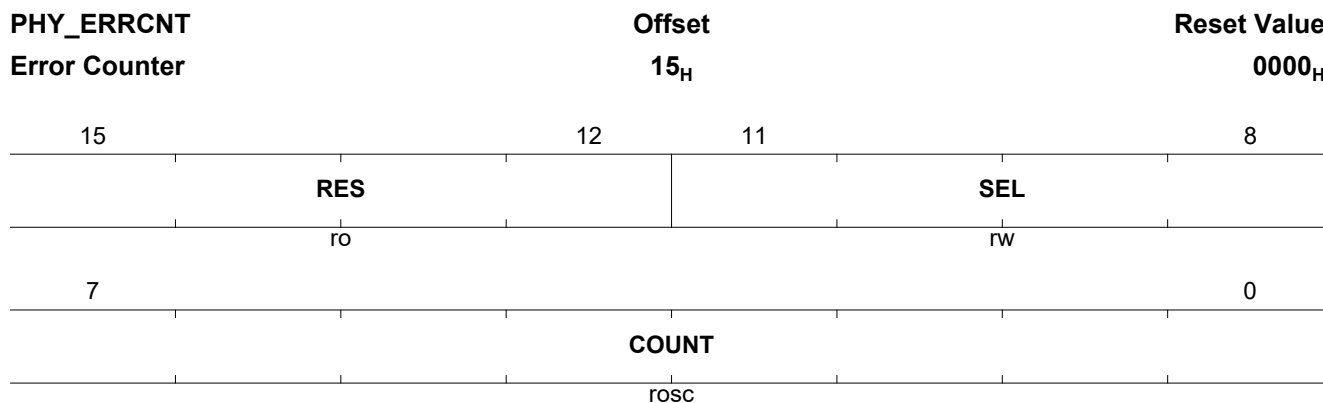
Field	Bits	Type	Description
POLB	5	RW	Transmit Polarity Inversion Control on Port B Constants 0 _B NORMAL Polarity normal 1 _B INVERTED Polarity inversion
POLA	4	RW	Transmit Polarity Inversion Control on Port A Constants 0 _B NORMAL Polarity normal 1 _B INVERTED Polarity inversion
MDICD	3	RW	Mapping of MDI Ports C and D Constants 0 _B MDI Normal MDI mode 1 _B MDIX Crossover MDI-X mode
MDIAB	2	RW	Mapping of MDI Ports A and B Constants 0 _B MDI Normal MDI mode 1 _B MDIX Crossover MDI-X mode
TXEEE10	1	RO	Transmit Energy-Efficient Ethernet 10BASE-Te Amplitude This register bit allows enabling of the 10BASE-Te energy-efficient mode transmitting only with a 1.75 V nominal amplitude. Constants 0 _B DISABLED Transmit the 10Base-T amplitude, that is, 2.3 V 1 _B ENABLED Transmit the 10BASE-Te amplitude, that is, 1.75 V
AMDIX	0	RW	PHY Performs Auto-MDI/MDI-X or Uses Manual MDI/MDI-X Constants 0 _B MANUAL PHY uses manual MDI/MDI-X 1 _B AUTO PHY performs Auto-MDI/MDI-X

MDIO Registers

Field	Bits	Type	Description
PSCL	2	RW	<p>Power-Consumption Scaling Depending on Link Quality Allows enabling/disabling of the power-consumption scaling dependent on the link quality.</p> <p>Constants 0_B OFF PSCL is disabled 1_B ON PSCL is enabled</p>
ANPD	1	RW	<p>Auto-Negotiation Power Down Allows enabling/disabling of the power-down Modes during auto-negotiation looking for a link partner.</p> <p>Constants 0_B OFF ANPD is disabled 1_B ON ANPD is enabled</p>

Error Counter

This register controls the error counter. It allows the number of errors detected in the PHY to be counted for monitoring purposes.



Field	Bits	Type	Description
RES	15:12	RO	Reserved Write as zero, ignored on read.
SEL	11:8	RW	Select Error Event Configures the error/event to which the error counter is sensitive. Constants 0000 _B RXERR Receive errors are counted 0001 _B RXACT Receive frames are counted 0010 _B ESDERR ESD errors are counted 0011 _B SSDERR SSD errors are counted 0100 _B TXERR Transmit errors are counted 0101 _B TXACT Transmit frames events get counted 0110 _B COL Collision events get counted 1000 _B NLD Number of Link Down get counted 1001 _B NDS Number of auto-downspeed get counted <i>Note: RXERR and SSDERR values could be inaccurate when EEE is activated</i>
COUNT	7:0	ROSC	Counter State This counter state is updated each time the selected error event has been detected. The counter state is reset every time a read operation on this register is performed or the error event is changed. The counter saturates at value 0xFF.

MDIO Registers

Field	Bits	Type	Description
SIZE	11:8	RW	<p>EEPROM Size Defines the size of the connected EEPROM. After reset, this register contains the size extracted from the soft pin-strapping.</p> <p>Constants 0000_B SIZE1K SIZE1K 0001_B SIZE2K SIZE2K 0010_B SIZE4K SIZE4K 0011_B SIZE8K SIZE8K 0100_B SIZE16K SIZE16K 0101_B SIZE32K SIZE32K 0110_B SIZE64K SIZE64K 0111_B SIZE128K SIZE128K 1000_B SIZE256K SIZE256K 1001_B SIZE512K SIZE512K 1010_B SIZE1024K SIZE1024K</p>
ADRMODE	7	RW	<p>EEPROM Addressing Mode Defines the device addressing mode of the connected EEPROM. After reset, this register contains the size extracted from the soft pin-strapping.</p> <p>Constants 0_B MODE11 11-bit addressing mode 1_B MODE16 16-bit addressing mode</p>
DADR	6:4	RW	<p>EEPROM Device Address Defines the device address of the connected EEPROM. After reset, this register contains the size extracted from the soft pin-strapping.</p>
SPEED	3:2	RW	<p>EEPROM Speed Defines the device address of the connected EEPROM. After reset, this register contains the size extracted from the soft pin-strapping.</p> <p>Constants 00_B FRQ_100KHZ EEPROM is accessed at 100 kHz 01_B FRQ_400KHZ EEPROM is accessed at 400 kHz 10_B FRQ_1_0MHZ EEPROM is accessed at 1 MHz 11_B FRQ_3_4MHZ EEPROM is accesses at 3.4 MHz</p>
RDWR	1	RO	<p>EEPROM Read/Write Control</p> <p>Constants 0_B READ Read access to the external EEPROM 1_B WRITE Write access to the external EEPROM</p>
EXEC	0	RO	<p>Execute EEPROM Read/Write Control This register is used to initiate an external EEPROM access. The bit remains set until the access is completed.</p> <p>Constants 0_B IDLE No access to the external EEPROM is currently pending 1_B EXECUTE Access to the external EEPROM is currently pending</p>

Media-Independent Interface Control

This register controls the MII interface in its various operational modes. The contents of this register reflects the options chosen by pinstrapping in the no-EEPROM mode. In this mode, writing to this register has no impact on operation of the device. In case the EEPROM mode is used, the registers content can be programmed by the user to alter the settings."

PHY_MIICTRL	Offset	Reset Value																																				
Media-Independent Interface Control	17 _H	8000 _H																																				
<table border="1" style="width:100%; text-align:center;"> <tr> <td style="width:12.5%;">15</td> <td style="width:12.5%;">14</td> <td style="width:12.5%;">12</td> <td style="width:12.5%;">11</td> <td style="width:12.5%;">10</td> <td style="width:12.5%;">8</td> </tr> <tr> <td>RXCOFF</td> <td>RXSKEW</td> <td>V25_33</td> <td>TXSKEW</td> <td></td> <td></td> </tr> <tr> <td>rw</td> <td>rw</td> <td>rw</td> <td>rw</td> <td></td> <td></td> </tr> <tr> <td>7</td> <td>6</td> <td>5</td> <td>4</td> <td>3</td> <td>0</td> </tr> <tr> <td>CRS</td> <td>FLOW</td> <td></td> <td>MODE</td> <td></td> <td></td> </tr> <tr> <td>rw</td> <td>rw</td> <td></td> <td>rw</td> <td></td> <td></td> </tr> </table>	15	14	12	11	10	8	RXCOFF	RXSKEW	V25_33	TXSKEW			rw	rw	rw	rw			7	6	5	4	3	0	CRS	FLOW		MODE			rw	rw		rw				
15	14	12	11	10	8																																	
RXCOFF	RXSKEW	V25_33	TXSKEW																																			
rw	rw	rw	rw																																			
7	6	5	4	3	0																																	
CRS	FLOW		MODE																																			
rw	rw		rw																																			

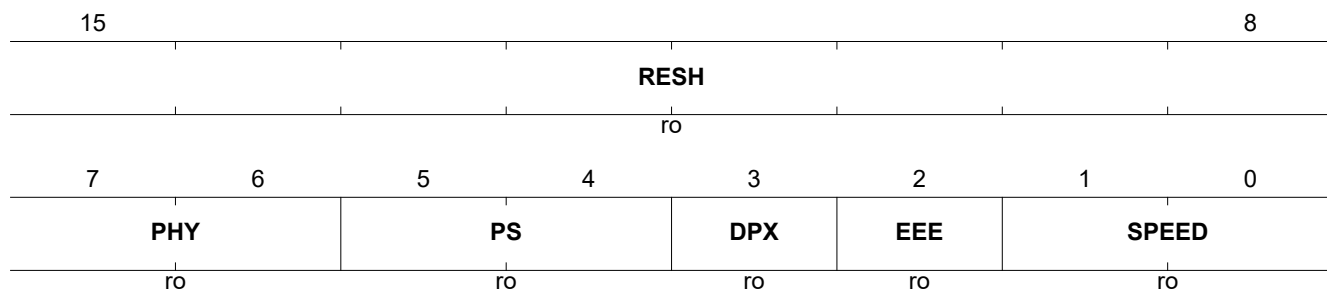
Field	Bits	Type	Description
RXCOFF	15	RW	Receive Clock Control Allows disabling of the RXCLK. Constants 0 _B OFF RXCLK is inactive when link is down 1 _B ON RXCLK is active also then link is down
RXSKEW	14:12	RW	Receive Timing Skew (RGMII) Defines the receive timing skew in the RGMII mode using the integrated delay generation on RX_CLK. Note that this register is subject to default reset values which depend on soft pin-strappings. Constants 000 _B SKEW_0N0 0.0 ns timing skew 001 _B SKEW_0N5 0.5 ns timing skew 010 _B SKEW_1N0 1.0 ns timing skew 011 _B SKEW_1N5 1.5 ns timing skew 100 _B SKEW_2N0 2.0 ns timing skew 101 _B SKEW_2N5 2.5 ns timing skew 110 _B SKEW_3N0 3.0 ns timing skew 111 _B SKEW_3N5 3.5 ns timing skew
V25_33	11	RW	Power Supply Control for MII Pins Required for standard compliant operation of RGMII. Constants 0 _B V33 MII is operated at 3.3 V 1 _B V25 MII is operated at 2.5 V

MDIO Registers

Field	Bits	Type	Description
TXSKEW	10:8	RW	<p>Transmit Timing Skew (RGMII) Defines the transmit timing skew in the RGMII mode using the integrated delay generation on TX_CLK. Note that this register is subject to default reset values which depend on soft pin-strappings.</p> <p>Constants 000_B SKEW_0N0 0.0 ns timing skew 001_B SKEW_0N5 0.5 ns timing skew 010_B SKEW_1N0 1.0 ns timing skew 011_B SKEW_1N5 1.5 ns timing skew 100_B SKEW_2N0 2.0 ns timing skew 101_B SKEW_2N5 2.5 ns timing skew 110_B SKEW_3N0 3.0 ns timing skew 111_B SKEW_3N5 3.5 ns timing skew</p>
CRS	7:6	RW	<p>CRS Sensitivity Configuration Constants 00_B TXRX_RX HDX:TX+RX, FDX:RX 01_B TXRX_0 HDX:TX+RX, FDX:0 10_B RX_RX HDX:RX, FDX:RX 11_B RX_0 HDX:RX, FDX:0</p>
FLOW	5:4	RW	<p>Data Flow Configuration This register field controls the data flow of the Ethernet frames in the PHY. The MAC interface type is selected by MODE. Constants 00_B COPPER MAC interface to twisted-pair 11_B CONVERTER Media converter: fiber to twisted-pair</p>
MODE	3:0	RW	<p>MII Interface Mode This register field controls the operation of the MII interface depending on the FLOW configuration. Constants (FLOW = COPPER) 0000_BRGMII RGMII mode 0001_BSGMII SGMII mode 0010_BRMII RMII mode, that is, link speed is forced to 10/100 Mbit/s only 0011_BRES0 Reserved 0100_BGMII (G)MII mode, that is, MII in 10/100 Mbit/s and GMII in 1000 Mbit/s speed modes 0101_BRES1 Reserved 0110_BSGMII_NC SGMII mode (without serial clock) 1111_BTEST Test Mode for SGMII (FLOW = CONVERTER) 0000_BCONV_X2T1000 Convert 1000BASE-X (without ANEG) to 1000BASE-T. Continuous signal detection is needed to start ANEG on the 1000BASE-T interface. 0001_BCONV_X2T1000A Convert 1000BASE-X (with ANEG) to 1000BASE-T. Successful 1000BASE-X negotiation is needed to start ANEG on the 1000BASE-T interface.</p>

Media-Independent Interface Status

This register contains status information of the MII interface.

PHY_MIISTAT	Offset	Reset Value
Media-Independent Interface Status	18 _H	0000 _H
		
RESH		
ro		
7 6 5 4 3 2 1 0		
PHY PS DPX EEE SPEED		
ro ro ro ro ro		

Field	Bits	Type	Description
RESH	15:8	RO	Reserved Write as zero, ignored on read.
PHY	7:6	RO	Active PHY Interface. Constants 00 _B TP The twisted-pair interface is the active PHY interface 01 _B FIBER The fiber interface is the active PHY interface 10 _B MII2 The second MII interface is the active PHY interface 11 _B SGMII The SGMII interface is the active PHY interface
PS	5:4	RO	Resolved Pause Status for Flow Control Constants 00 _B NONE No PAUSE 01 _B TX Transmit PAUSE 10 _B RX Receive PAUSE 11 _B TXRX Both transmit and receive PAUSE
DPX	3	RO	Duplex mode at which the MII currently operates. Constants 0 _B HDX Half duplex 1 _B FDX Full duplex
EEE	2	RO	Resolved Energy-Efficient Ethernet Mode Constants 0 _B OFF EEE is disabled after auto-negotiation resolution 1 _B ON EEE is enabled after auto-negotiation resolution
SPEED	1:0	RO	PHY Speed at which the MII Currently Operates Constants 00 _B TEN 10 Mbit/s 01 _B FAST 100 Mbit/s 10 _B GIGA 1000 Mbit/s 11 _B FRE FRE mode

Interrupt Mask Register

This register defines the mask for the Interrupt Status Register (ISTAT). Each masked interrupt is able to activate the MDINT pin to the management device. The information about the interrupt source can be extracted by reading the ISTAT register. A read operation on the ISTAT register simultaneously clears the interrupts, deactivating MDINT.

PHY_IMASK		Offset		Reset Value			
Interrupt Mask Register		19 _H		0000 _H			
15	14	13	12	11	10	9	8
WOL	MSRE	NPRX	NPTX	ANE	ANC	RESH	
rw	rw	rw	rw	rw	rw	ro	
7	6	5	4	3	2	1	0
RESL		ADSC	MDIPC	MDIXC	DXMC	LSPC	LSTC
ro		rw	rw	rw	rw	rw	rw

Field	Bits	Type	Description
WOL	15	RW	Wake-On-LAN Event Mask When active and masked in IMASK, the MDINT is activated upon detection of a valid Wake-On-LAN event. Constants 0 _B INACTIVE Interrupt is masked out 1 _B ACTIVE Interrupt is activated
MSRE	14	RW	Master/Slave Resolution Error Mask When active, MDINT is activated upon detection of a master/slave resolution error during a 1000BASE-T auto-negotiation. Constants 0 _B INACTIVE Interrupt is masked out 1 _B ACTIVE Interrupt is activated
NPRX	13	RW	Next Page Received Mask When active, MDINT is activated upon reception of a next page in STD.AN_NPRX. Constants 0 _B INACTIVE Interrupt is masked out 1 _B ACTIVE Interrupt is activated
NPTX	12	RW	Next Page Transmitted Mask When active, MDINT is activated upon transmission of the currently stored next page in STD.AN_NPTX. Constants 0 _B INACTIVE Interrupt is masked out 1 _B ACTIVE Interrupt is activated

MDIO Registers

Field	Bits	Type	Description
ANE	11	RW	<p>Auto-Negotiation Error Mask When active, MDINT is activated upon detection of an auto-negotiation error.</p> <p>Constants 0_B INACTIVE Interrupt is masked out 1_B ACTIVE Interrupt is activated</p>
ANC	10	RW	<p>Auto-Negotiation Complete Mask When active, MDINT is activated upon completion of the auto-negotiation process.</p> <p>Constants 0_B INACTIVE Interrupt is masked out 1_B ACTIVE Interrupt is activated</p>
AMBF	9	RW	<p>MDIO Handling Fault When active, MDINT is activated upon detection that the MDIO handling FIFO has overflowed and as such flushed and init by FW. This shall indicate that one or more of the MDIO transactions before this event may be lost.</p> <p>Constants 0_B INACTIVE Interrupt is masked out 1_B ACTIVE Interrupt is activated</p>
LOR	8	RW	<p>SyncE Lost Of Reference When active, MDINT is activated upon detection that the SyncE reference clock is lost.</p> <p>Constants 0_B INACTIVE Interrupt is masked out 1_B ACTIVE Interrupt is activated</p>
RESL	7:6	RO	<p>Reserved Write as zeroes, ignore on read.</p>
ADSC	5	RW	<p>Link-Speed Auto-Downspeed Detect Mask When active, MDINT is activated upon detection of a link speed auto-downspeed event.</p> <p>Constants 0_B INACTIVE Interrupt is masked out 1_B ACTIVE Interrupt is activated</p>
MDIPC	4	RW	<p>MDI Polarity Change Detect Mask When active, MDINT is activated upon detection of an MDI polarity change event.</p> <p>Constants 0_B INACTIVE Interrupt is masked out 1_B ACTIVE Interrupt is activated</p>
MDIXC	3	RW	<p>MDIX Change Detect Mask When active, MDINT is activated upon detection of an MDI/MDIX cross-over change event.</p> <p>Constants 0_B INACTIVE Interrupt is masked out 1_B ACTIVE Interrupt is activated</p>

MDIO Registers

Field	Bits	Type	Description
DXMC	2	RW	<p>Duplex Mode Change Mask When active, MDINT is activated upon detection of full- or half-duplex change.</p> <p>Constants 0_B INACTIVE Interrupt is masked out 1_B ACTIVE Interrupt is activated</p>
LSPC	1	RW	<p>Link Speed Change Mask When active, MDINT is activated upon detection of link speed change.</p> <p>Constants 0_B INACTIVE Interrupt is masked out 1_B ACTIVE Interrupt is activated</p>
LSTC	0	RW	<p>Link State Change Mask When active, MDINT is activated upon detection of link status change.</p> <p>Constants 0_B INACTIVE Interrupt is masked out 1_B ACTIVE Interrupt is activated</p>

Interrupt Status Register

This register defines the Interrupt Status Register (ISTAT). Each masked interrupt (IMASK) is able to activate the MDINT pin to the management device. The information about the interrupt source can be extracted by reading the ISTA register. A read operation on the ISTAT register simultaneously clears the interrupts and this deactivates MDINT.

PHY_ISTAT		Offset		Reset Value			
Interrupt Status Register		1A _H		0000 _H			
15	14	13	12	11	10	9	8
WOL	MSRE	NPRX	NPTX	ANE	ANC	RESH	
rolh	rolh	rolh	rolh	rolh	rolh	rolh	
7	6	5	4	3	2	1	0
RESL		ADSC	MDIPC	MDIXC	DXMC	LSPC	LSTC
rolh		rolh	rolh	rolh	rolh	rolh	rolh

Field	Bits	Type	Description
WOL	15	ROLH	<p>Wake-On-LAN Interrupt Status When active and masked in IMASK, the MDINT is activated upon detection of a valid Wake-On-LAN event.</p> <p>Constants 0_B INACTIVE Interrupt is masked out 1_B ACTIVE Interrupt is activated</p>
MSRE	14	ROLH	<p>Master/Slave Resolution Error Interrupt Status When active and masked in IMASK, the MDINT is activated upon detection of a master/slave resolution error during a 1000BASE-T auto-negotiation.</p> <p>Constants 0_B INACTIVE Interrupt is masked out 1_B ACTIVE Interrupt is activated</p>
NPRX	13	ROLH	<p>Next Page Received Interrupt Status When active and masked in IMASK, the MDINT is activated upon reception of a next page in STD.AN_NPRX.</p> <p>Constants 0_B INACTIVE Interrupt is masked out 1_B ACTIVE Interrupt is activated</p>
NPTX	12	ROLH	<p>Next Page Transmitted Interrupt Status When active and masked in IMASK, the MDINT is activated upon transmission of the currently stored next page in STD.AN_NPTX.</p> <p>Constants 0_B INACTIVE Interrupt is masked out 1_B ACTIVE Interrupt is activated</p>

MDIO Registers

Field	Bits	Type	Description
ANE	11	ROLH	<p>Auto-Negotiation Error Interrupt Status When active and masked in IMASK, the MDINT is activated upon detection of an auto-negotiation error.</p> <p>Constants 0_B INACTIVE Interrupt is masked out 1_B ACTIVE Interrupt is activated</p>
ANC	10	ROLH	<p>Auto-Negotiation Complete Interrupt Status When active and masked in IMASK, the MDINT is activated upon completion of the auto-negotiation process.</p> <p>Constants 0_B INACTIVE Interrupt is masked out 1_B ACTIVE Interrupt is activated</p>
AMBF	9	RW	<p>MDIO Handling Fault When active and masked in IMASK, MDINT is activated upon detection that the MDIO handling FIFO has overflowed and as such flushed and init by FW. This shall indicate that one or more of the MDIO transactions before this event may be lost.</p> <p>Constants 0_B INACTIVE Interrupt is masked out 1_B ACTIVE Interrupt is activated</p>
LOR	8	ROLH	<p>SyncE Lost Of Reference When active and masked in IMASK, MDINT is activated upon detection that the SyncE reference clock is lost.</p> <p>Constants 0_B INACTIVE Interrupt is masked out 1_B ACTIVE Interrupt is activated</p>
RESL	7:6	ROLH	<p>Reserved Write as zeroes, ignore on read.</p>
ADSC	5	ROLH	<p>Link Speed Auto-Downspeed Detect Interrupt Status When active and masked in IMASK, the MDINT is activated upon detection of a link speed auto-downspeed event.</p> <p>Constants 0_B INACTIVE Interrupt is masked out 1_B ACTIVE Interrupt is activated</p>
MDIPC	4	ROLH	<p>MDI Polarity Change Detect Interrupt Status When active and masked in IMASK, the MDINT is activated upon detection of an MDI polarity change event.</p> <p>Constants 0_B INACTIVE Interrupt is masked out 1_B ACTIVE Interrupt is activated</p>
MDIXC	3	ROLH	<p>MDIX Change Detect Interrupt Status When active and masked in IMASK, the MDINT is activated upon detection of an MDI/MDIX cross-over change event.</p> <p>Constants 0_B INACTIVE Interrupt is masked out 1_B ACTIVE Interrupt is activated</p>

MDIO Registers

Field	Bits	Type	Description
DXMC	2	ROLH	<p>Duplex Mode Change Interrupt Status When active and masked in IMASK, the MDINT is activated upon detection of a full or half-duplex change.</p> <p>Constants 0_B INACTIVE Interrupt is masked out 1_B ACTIVE Interrupt is activated</p>
LSPC	1	ROLH	<p>Link Speed Change Interrupt Status When active and masked in IMASK, the MDINT is activated upon detection of link speed change.</p> <p>Constants 0_B INACTIVE Interrupt is masked out 1_B ACTIVE Interrupt is activated</p>
LSTC	0	ROLH	<p>Link State Change Interrupt Status When active and masked in IMASK, the MDINT is activated upon detection of link status change.</p> <p>Constants 0_B INACTIVE Interrupt is masked out 1_B ACTIVE Interrupt is activated</p>

LED Control Register

This register contains control bits to allow for direct access to the LEDs. A directly controlled LED must disable the integrated LED function as specified by the more sophisticated LED control registers in page LED.

PHY_LED		Offset		Reset Value			
LED Control Register		1B _H		0F00 _H			
15	14	13	12	11	10	9	8
RESH	LED2INV	LED1INV	LED0INV	Res	LED2EN	LED1EN	LED0EN
rw	rw	rw	rw		rw	rw	rw
7				3	2	1	0
		RESL			LED2DA	LED1DA	LED0DA
		ro			rw	rw	rw

Field	Bits	Type	Description
RESH	15	RW	Reserved Write as zero, ignored on read.
LED2INV	14	RW	Control LED2 polarity Constants 0 _B Active High LED2 pin driven high when activated 1 _B Active Low LED2 pin driven low when activated
LED1INV	13	RW	Control LED1 polarity Constants 0 _B Active High LED1 pin driven high when activated 1 _B Active Low LED1 pin driven low when activated
LED0INV	12	RW	Control LED0 polarity Constants 0 _B Active High LED0 pin driven high when activated 1 _B Active Low LED0 pin driven low when activated
LED2EN	10	RW	Enable the integrated function of LED2 Write a logic 0 to this bit to disable the pre-configured integrated function for this LED. The LED remains off unless directly accessed via LED2DA. Constants 0 _B DISABLE Disables the integrated LED function 1 _B ENABLE Enables the integrated LED function
LED1EN	9	RW	Enable the Integrated Function of LED1 Write a logic 0 to this bit to disable the pre-configured integrated function for this LED. The LED remains off unless directly accessed via LED1DA. Constants 0 _B DISABLE Disables the integrated LED function 1 _B ENABLE Enables the integrated LED function

MDIO Registers

Field	Bits	Type	Description
LED0EN	8	RW	<p>Enable the Integrated Function of LED0 Write a logic 0 to this bit to disable the pre-configured integrated function for this LED. The LED remains off unless directly accessed via LED0DA.</p> <p>Constants 0_B DISABLE Disables the integrated LED function 1_B ENABLE Enables the integrated LED function</p>
RESL	7:3	RO	<p>Reserved Write as zero, ignored on read.</p>
LED2DA	2	RW	<p>Direct Access to LED2 Write a logic 1 to this bit to illuminate the LED. Note that LED2EN must be set to logic zero.</p> <p>Constants 0_B OFF Switch off the LED 1_B ON Switch on the LED</p>
LED1DA	1	RW	<p>Direct Access to LED1 Write a logic 1 to this bit to illuminate the LED. Note that LED1EN must be set to logic zero.</p> <p>Constants 0_B OFF Switch off the LED 1_B ON Switch on the LED</p>
LED0DA	0	RW	<p>Direct Access to LED0 Write a logic 1 to this bit to illuminate the LED. Note that LED0EN must be set to logic zero.</p> <p>Constants 0_B OFF Switch off the LED 1_B ON Switch on the LED</p>

Test-Packet Generator Control

This register controls the operation of the integrated Test-Packet Generator (TPG). Note that this module is only used for testing purposes.

PHY_TPGCTRL	Offset	Reset Value																																																
Test-Packet Generator Control	1C _H	0000 _H																																																
<table border="1" style="width:100%; text-align:center;"> <tr> <td style="width:12.5%;">15</td> <td style="width:12.5%;">14</td> <td style="width:12.5%;">13</td> <td style="width:12.5%;">12</td> <td style="width:12.5%;">11</td> <td style="width:12.5%;">10</td> <td style="width:12.5%;">9</td> <td style="width:12.5%;">8</td> </tr> <tr> <td colspan="2">RESH1</td> <td>MODE</td> <td>RESH0</td> <td colspan="2">IPGL</td> <td colspan="2">TYPE</td> </tr> <tr> <td colspan="2">ro</td> <td>rw</td> <td>ro</td> <td colspan="2">rw</td> <td colspan="2">rw</td> </tr> <tr> <td>7</td> <td>6</td> <td>4</td> <td>3</td> <td>2</td> <td>1</td> <td>0</td> <td></td> </tr> <tr> <td>RESL1</td> <td colspan="2">SIZE</td> <td colspan="2">RESL0</td> <td>START</td> <td>EN</td> <td></td> </tr> <tr> <td>ro</td> <td colspan="2">rw</td> <td colspan="2">ro</td> <td>rw</td> <td>rw</td> <td></td> </tr> </table>	15	14	13	12	11	10	9	8	RESH1		MODE	RESH0	IPGL		TYPE		ro		rw	ro	rw		rw		7	6	4	3	2	1	0		RESL1	SIZE		RESL0		START	EN		ro	rw		ro		rw	rw			
15	14	13	12	11	10	9	8																																											
RESH1		MODE	RESH0	IPGL		TYPE																																												
ro		rw	ro	rw		rw																																												
7	6	4	3	2	1	0																																												
RESL1	SIZE		RESL0		START	EN																																												
ro	rw		ro		rw	rw																																												

Field	Bits	Type	Description
CHSEL	15:14	RW	Channel Selection There are 4 channels in the IP which can be selected for debug data dumping. Note that this field is not used in case BURST4EN=1 && MOPT=1 (auto-channel burst). Constants 00 _B CHA Channel A is selected 01 _B CHB Channel B is selected 10 _B CHC Channel C is selected 11 _B CHD Channel D is selected
MODE	13	RW	Mode of the TPG Configures the packet generation mode Constants 0 _B CONTINUOUS Send packets continuously 1 _B SINGLE Send a single packet. Also used to send a single burst of 4 packets in debug dumping when selected.
BURST4EN	12	RW	Burst Of 4 packets Enable When Enabled, this indicates to the packet generator to auto-select based on MOPT the debug data configuration per packet in the burst of 4. when MOPT=0, then the packets will be generated capturing for the selected ASP channel, the polyphases 0,1,2,3 respectively. When MOPT=1, then the packets will be generated capturing for the selected DVC option, the channels A,B,C,D respectively. Note that this will lead to a burst of 4 packets if MODE=SINGLE. In case MODE=1(continuous), then we will get packets where every group of 4 packets are generated according to the MOPT selection. Constants 0 _B DISABLE Disable 1 _B ENABLE Enable Burst of 4 packet generation

MDIO Registers

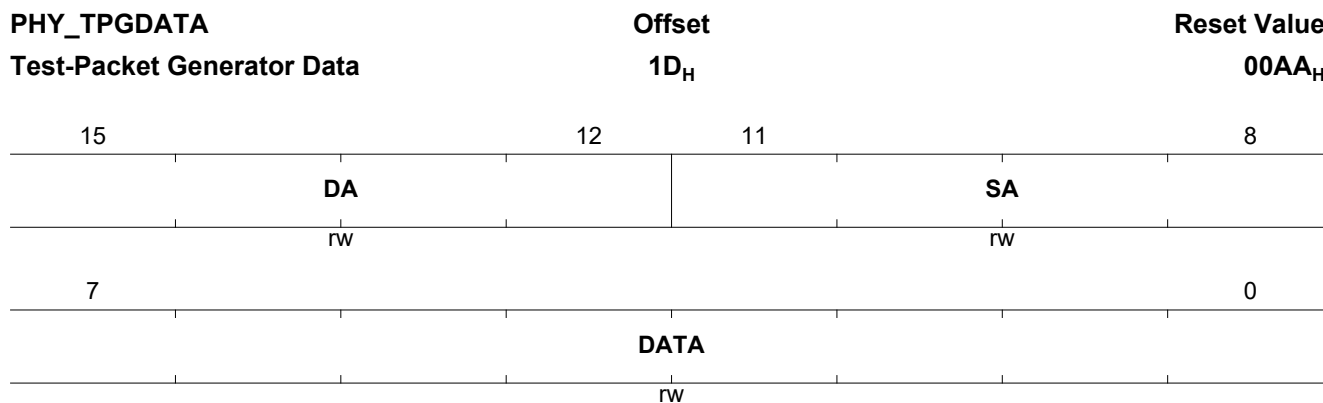
Field	Bits	Type	Description
IPGL	11:10	RW	<p>Inter-Packet Gap Length Configures the length of the inter-packet gap in bit times.</p> <p>Constants 00_B BT48 Length is 48 bit times 01_B BT96 Length is 96 bit times 10_B BT960 Length is 960 bit times 11_B BT9600 Length is 9600 bit times</p>
TYPE	9:8	RW	<p>Packet Data Type Configures the packet data type to be either predefined, byte increment or random. If pre-defined, the content of the register TPGDATA is used repetitively.</p> <p>Constants 00_B RANDOM Use random data as the packet content 01_B BYTEINC Use byte increment as the packet content 10_B PREDEF Use pre-defined content of the register TPGDATA 11_B DBGDATA Use Dbg data as packet content. Additional Configuration will be taken from TPGDATA</p>
RESL1	7	RO	<p>Reserved. Write as zero, ignore on read.</p>
SIZE	6:4	RW	<p>Packet Size Configures the size of the generated Ethernet packets in bytes. The size includes DA, SA, length/type, payload and FCS.</p> <p>Constants 000_B L64 Packet length is 64 bytes. 001_B L2048 Packet length is 2048 bytes (jumbo frames). 010_B L256 Packet length is 256 bytes. 011_B L4096 Packet length is 4096 bytes (jumbo frames). 100_B L1024 Packet length is 1024 bytes. 101_B L1518 Packet length is 1518 bytes. 110_B L9000 Packet length is 9000 bytes (jumbo frames). 111_B RANDOM Packet length is randomized between upper sizes without jumbo frames.</p>
MOPT	3:2	RW	<p>Mux Option Additional Mux Selection Options depending on the value of DVC in TPGDATA[3:0]</p> <p>Constants 00_B MOPT0 BURST4EN=1: auto-polyphase selected, BURST4EN=0 && DVC=0b1001: DBG SYNC Data Gen, otherwise sub-DVC-mode selection 01_B MOPT1 BURST4EN=1: auto-channel selected, BURST4EN=0 && DVC=0b1001: DBG Trace Data, otherwise sub-DVC-mode selection 10_B MOPT2 sub-DVC-mode selection 11_B MOPT3 sub-DVC-mode selection</p>

MDIO Registers

Field	Bits	Type	Description
START	1	RW	<p>Start or Stop TPG Data Generation. Starts the TPG data generation. Depending on the MODE, the TPG sends only 1 single packet or chunks of 10,000 packets until stopped.</p> <p>Constants 0_B STOP Stops the TPG data generation 1_B START Starts the TPG data generation</p>
EN	0	RW	<p>Enable the TPG Enables the TPG for data generation.</p> <p>Constants 0_B DISABLE Disables the TPG 1_B ENABLE Enables the TPG</p>

Test-Packet Generator Data

Specifies the payload data to be used when sending a non-random data packet. All payload data bytes are sent with this value.



Field	Bits	Type	Description
DA	15:12	RW	Destination Address Configures the destination address nibble. The Source Address builds up to 00-03-19-FF-FF-F[DA].
SA	11:8	RW	Source Address Configures the source address nibble. The source address builds up to 00-03-19-FF-FF-F[SA].
DATA	7:0	RW	Data Byte to be Transmitted This is the content of the payload bytes in the frame.

Firmware Version Register

This register contains the version of the PHY firmware.

PHY_FWV	Offset	Reset Value
Firmware Version Register	1E _H	8435 _H
15	14	8
REL	MAJOR	
ro	ro	
7		0
	MINOR	
	ro	

Field	Bits	Type	Description
REL	15	RO	Release Indication This parameter indicates either a test or a release version. Constants 0 _B TEST Indicates a test version 1 _B RELEASE Indicates a released version
MAJOR	14:8	RO	Major Version Number Specifies the main version release number of the firmware.
MINOR	7:0	RO	Minor Version Number Specifies the sub-version release number of the firmware.

MDIO Registers

Reserved

Reserved for future use.

PHY_RES1F	Offset	Reset Value
Reserved	1F _H	0000 _H
15		8
	RES	
	ro	
7		0
	RES	
	ro	

Field	Bits	Type	Description
RES	15:0	RO	Reserved Write as zero, ignored on read.

5 MMD Registers

This chapter defines all the registers needed to operate the module "MMD_REGISTERS".¹⁾

Table 36 Registers Address Space

Module	Base Address	End Address	Note
MMD_REGISTERS	000000 _H	1FFFFFF _H	

Table 37 Registers Overview

Register Short Name	Register Long Name	Offset Address	Page Number
MMD Registers, EEE: Standard EEE Registers for MMD=0x03			
EEE_CTRL1	EEE Control Register 1	03.0000 _H	133
EEE_STAT1	EEE Status Register 1	03.0001 _H	134
EEE_CAP	EEE Capability Register	03.0014 _H	135
EEE_WAKERR	EEE Wake Time Fault Count Register 1	03.0016 _H	136
MMD Registers, ANEG: Standard Auto-Negotiation Registers for MMD=0x07			
EEE_AN_ADV	EEE Auto-Negotiation Advertisement Register	07.003C _H	137
EEE_AN_LPADV	EEE Auto-Negotiation Link-Partner Advertisement Register	07.003D _H	138
MMD Registers, EEPROM: EEPROM Address Space (MMD=0x1E)			
EEPROM	EEPROM Content	1E.0000 _H - 1EFFFF _H	140
MMD Registers, INTERNAL: Internal Address Space (MMD=0x1F)			
LEDCH	LED Configuration	1F.01E0 _H	141
LEDCL	LED Configuration	1F.01E1 _H	143
LED0H	Configuration for LED Pin 0	1F.01E2 _H	145
LED0L	Configuration for LED Pin 0	1F.01E3 _H	147
EEE_RXERR_LINK_FAIL_H	High Byte of the EEE Link-Fail Counter	1F.01EA _H	149
EEE_RXERR_LINK_FAIL_L	Low Byte of the EEE Link-Fail Counter	1F.01EB _H	149
WOLCTRL	Wake-On-LAN Control Register	1F.0781 _H	150
WOLAD0	Wake-On-LAN Address Byte 0	1F.0783 _H	151
WOLPW0	Wake-On-LAN SecureON Password Byte 0	1F.0789 _H	152
LED1H	Configuration for LED Pin 1	1F.01E4 _H	146
LED2H	Configuration for LED Pin 2	1F.01E6 _H	146
LED1L	Configuration for LED Pin 1	1F.01E5 _H	148
LED2L	Configuration for LED Pin 2	1F.01E7 _H	148
WOLAD1	Wake-On-LAN Address Byte 1	1F.0784 _H	151
WOLAD2	Wake-On-LAN Address Byte 2	1F.0785 _H	151

1) Generated by REFIGE v1.4 - Beta Release XIV

Table 37 Registers Overview (cont'd)

Register Short Name	Register Long Name	Offset Address	Page Number
WOLAD3	Wake-On-LAN Address Byte 3	1F.0786 _H	151
WOLAD4	Wake-On-LAN Address Byte 4	1F.0787 _H	151
WOLAD5	Wake-On-LAN Address Byte 5	1F.0788 _H	151
WOLPW1	Wake-On-LAN SecureON Password Byte 1	1F.078A _H	152
WOLPW2	Wake-On-LAN SecureON Password Byte 2	1F.078B _H	152
WOLPW3	Wake-On-LAN SecureON Password Byte 3	1F.078C _H	152
WOLPW4	Wake-On-LAN SecureON Password Byte 4	1F.078D _H	152
WOLPW5	Wake-On-LAN SecureON Password Byte 5	1F.078E _H	152

The register is addressed wordwise.

Table 38 Register Access Types

Mode	Symbol
Status Register, Latch-High	ROLH
Status Register, Latch-Low	ROLL
Status Register, Self-Clearing	ROSC
Read-Write Register	RW
Read-Write Register, Self-Clearing	RWSC
Status Register	RO

EEE Capability Register

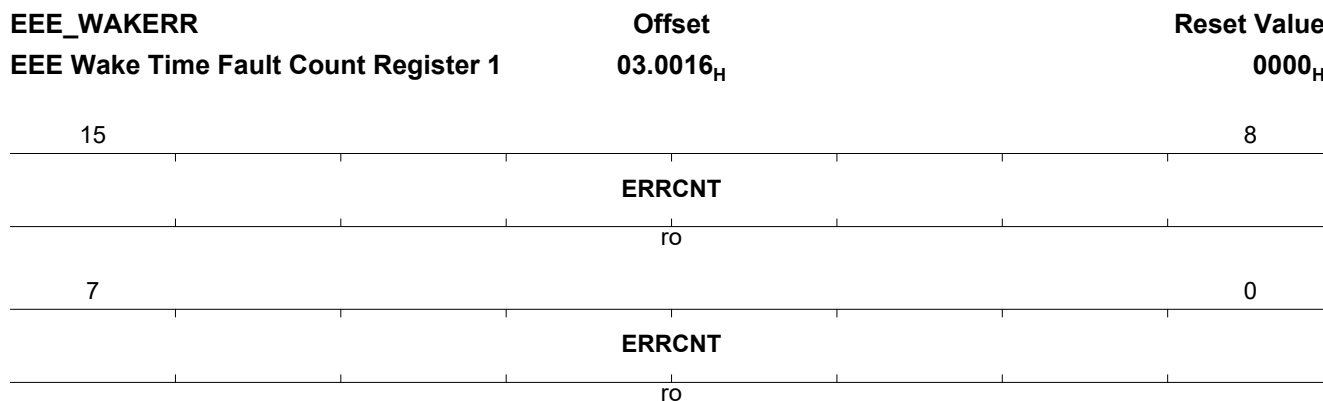
This register is used to indicate the capability of the PCS to support EEE functions for each PHY type.

EEE_CAP	Offset	Reset Value
EEE Capability Register	03.0014 _H	0006 _H
15		8
Res		
7	6	5
4	3	2
1	0	
Res	EEE_10GBKR	EEE_10GBKX 4
	EEE_1000BK X	EEE_10GBT
	EEE_1000BT	EEE_100BTX
	Res	
	ro	ro
	ro	ro
	ro	ro
	ro	ro
	ro	ro

Field	Bits	Type	Description
EEE_10GBKR	6	RO	Support of 10GBASE-KR EEE Constants 0 _B DISABLED This PHY mode is not supported for EEE 1 _B ENABLE This PHY mode is supported for EEE
EEE_10GBKX 4	5	RO	Support of 10GBASE-KX4 EEE Constants 0 _B DISABLED This PHY mode is not supported for EEE 1 _B ENABLE This PHY mode is supported for EEE
EEE_1000BK X	4	RO	Support of 1000BASE-KX EEE Constants 0 _B DISABLED This PHY mode is not supported for EEE 1 _B ENABLE This PHY mode is supported for EEE
EEE_10GBT	3	RO	Support of 10GBASE-T EEE Constants 0 _B DISABLED This PHY mode is not supported for EEE 1 _B ENABLE This PHY mode is supported for EEE
EEE_1000BT	2	RO	Support of 1000BASE-T EEE Constants 0 _B DISABLED This PHY mode is not supported for EEE 1 _B ENABLE This PHY mode is supported for EEE
EEE_100BTX	1	RO	Support of 100BASE-TX EEE Constants 0 _B DISABLED This PHY mode is not supported for EEE 1 _B ENABLE This PHY mode is supported for EEE

EEE Wake Time Fault Count Register 1

EEE Wake Time Fault Count Register.



Field	Bits	Type	Description
ERRCNT	15:0	RO	<p>TXLPI Has Been Received</p> <p>This register is used by PHY types that support EEE to count wake time faults where the PHY fails to complete its normal wake sequence within the time required for the specific PHY type. The definition of the fault event to be counted is defined for each PHY and may occur during a refresh or a wake-up as defined by the PHY. This 16-bit counter is reset to all zeroes when the EEE wake error counter is read by the management function or upon execution of the PCS reset. It is held at all ones in case of overflow.</p>

5.2 ANEG: Standard Auto-Negotiation Registers for MMD=0x07

This register file contains the auto-negotiation registers for MMD device 0x07 (only supporting EEE specifics).

EEE Auto-Negotiation Advertisement Register

This register defines the EEE advertisement that is sent in the unformatted next page following an EEE technology message code as defined in 28C.12. The 11 bits (7.60.10 to 7.60.0) in the EEE advertisement register correspond to the bits in the unformatted next page. For PHYs that negotiate extended next-page support, the 11 bits (7.60.10 to 7.60.0) in the EEE advertisement register correspond to bits U10 to U0 respectively of the extended next-page unformatted code field.

EEE_AN_ADV	Offset	Reset Value
EEE Auto-Negotiation Advertisement Register	07.003C _H	0000 _H
15		8
Res		
7	6	5
4	3	2
1	0	
Res	EEE_10GBKR	EEE_10GBKX 4
	EEE_1000BK X	EEE_10GBT
	EEE_1000BT	EEE_100BTX
	Res	
	ro	ro
	ro	ro
	rw	rw

Field	Bits	Type	Description
EEE_10GBKR	6	RO	Support of 10GBASE-KR EEE Constants 0 _B DISABLED This PHY mode is not supported for EEE 1 _B ENABLE This PHY mode is supported for EEE
EEE_10GBKX 4	5	RO	Support of 10GBASE-KX4 EEE Constants 0 _B DISABLED This PHY mode is not supported for EEE 1 _B ENABLE This PHY mode is supported for EEE
EEE_1000BK X	4	RO	Support of 1000BASE-KX EEE Constants 0 _B DISABLED This PHY mode is not supported for EEE 1 _B ENABLE This PHY mode is supported for EEE
EEE_10GBT	3	RO	Support of 10GBASE-T EEE Constants 0 _B DISABLED This PHY mode is not supported for EEE 1 _B ENABLE This PHY mode is supported for EEE
EEE_1000BT	2	RW	Support of 1000BASE-T EEE Constants 0 _B DISABLED This PHY mode is not supported for EEE 1 _B ENABLE This PHY mode is supported for EEE

MMD Registers

Field	Bits	Type	Description
EEE_100BTX	1	RW	Support of 100BASE-TX EEE Constants 0 _B DISABLED This PHY mode is not supported for EEE 1 _B ENABLE This PHY mode is supported for EEE

EEE Auto-Negotiation Link-Partner Advertisement Register

All of the bits in the EEE LP advertisement register are read only. A write operation to the EEE LP advertisement register has no effect. After the AN process has been completed, this register reflects the contents of the link partner's EEE advertisement register. The definitions are the same as for the EEE AN advertisement register.

EEE_AN_LPADV	Offset	Reset Value					
EEE Auto-Negotiation Link-Partner Advertisement Register	07.003D _H	0000 _H					
15		8					
Res							
7	6	5	4	3	2	1	0
Res	EEE_10GBKR	EEE_10GBKX 4	EEE_1000BK X	EEE_10GBT	EEE_1000BT	EEE_100BTX	Res
	ro	ro	ro	ro	ro	ro	

Field	Bits	Type	Description
EEE_10GBKR	6	RO	Support of 10GBASE-KR EEE Constants 0 _B DISABLED This PHY mode is not supported for EEE 1 _B ENABLE This PHY mode is supported for EEE
EEE_10GBKX 4	5	RO	Support of 10GBASE-KX4 EEE Constants 0 _B DISABLED This PHY mode is not supported for EEE 1 _B ENABLE This PHY mode is supported for EEE
EEE_1000BK X	4	RO	Support of 1000BASE-KX EEE Constants 0 _B DISABLED This PHY mode is not supported for EEE 1 _B ENABLE This PHY mode is supported for EEE
EEE_10GBT	3	RO	Support of 10GBASE-T EEE Constants 0 _B DISABLED This PHY mode is not supported for EEE 1 _B ENABLE This PHY mode is supported for EEE
EEE_1000BT	2	RO	Support of 1000BASE-T EEE Constants 0 _B DISABLED This PHY mode is not supported for EEE 1 _B ENABLE This PHY mode is supported for EEE

MMD Registers

Field	Bits	Type	Description
EEE_100BTX	1	RO	Support of 100BASE-TX EEE Constants 0 _B DISABLED This PHY mode is not supported for EEE 1 _B ENABLE This PHY mode is supported for EEE

5.3 EEPROM: EEPROM Address Space (MMD=0x1E)

This register file contains the EEPROM address space (MMD=0x1E).

EEPROM Content (Memory)

The EEPROM is indirectly addressable via MMD 0x1E.

EEPROM	Offset	Reset Value
EEPROM Content	1E.0000 _H ...1 EFFFF _H	-
15		8
	Res	EEPROM
		memory
7		0
	EEPROM	
	memory	

Field	Bits	Type	Description
EEPROM	8:0	Memory	EEPROM Content The EEPROM is indirectly addressable via MMD 0x1E.

5.4 INTERNAL: Internal Address Space (MMD=0x1F)

This register file contains the PHY internal address space (MMD=0x1F).

LED Configuration

This register must be used to configure the complex functions of the LED behavior. Complex functions are of a higher priority than direct LED functions as of registers MMD.INTERNAL.LEDxH/L. When the PHY enters a state which is defined to activate complex LED functions, all LEDs are controlled according to the type of the complex function.

LEDCH	Offset	Reset Value
LED Configuration	1F.01E0 _H	00C5 _H
15		8
Res		
7	6	5
4	3	2
0		
FBF	SBF	NACS
rw	rw	rw

Field	Bits	Type	Description
FBF	7:6	RW	<p>Fast Blink Frequency</p> <p>This register must be used to configure the fast-blinking frequency. Note that this setting implicitly defines the pulse-stretching width.</p> <p>Constants</p> <p>00_B F02HZ 2 Hz blinking frequency</p> <p>01_B F04HZ 4 Hz blinking frequency</p> <p>10_B F08HZ 8 Hz blinking frequency</p> <p>11_B F16HZ 16 Hz blinking frequency</p>
SBF	5:4	RW	<p>Slow Blink Frequency</p> <p>This register must be used to configure the slow-blinking frequency.</p> <p>Constants</p> <p>00_B F02HZ 2 Hz blinking frequency</p> <p>01_B F04HZ 4 Hz blinking frequency</p> <p>10_B F08HZ 8 Hz blinking frequency</p> <p>11_B F16HZ 16 Hz blinking frequency</p>

Field	Bits	Type	Description
NACS	2:0	RW	<p>Inverse of SCAN Function</p> <p>This configuration defines in which state the "complex SCAN" should be activated. The complex SCAN performs running off which turns back and forth between the first and last LED. The speed is dependent on the MMD.INTERNAL.LEDCH.FBF setting.</p> <p>Constants</p> <p>000_B NONE No Function</p> <p>001_B LINK Complex function enabled when link is up</p> <p>010_B PDOWN Complex function enabled when device is powered-down</p> <p>011_B EEE Complex function enabled when device is in EEE mode</p> <p>100_B ANEG Complex function enabled when auto-negotiation is running</p> <p>101_B ABIST Complex function enabled when analog self-test is running</p> <p>110_B CDIAG Complex function enabled when cable diagnostics are running</p> <p>111_B TEST Complex function enabled when test mode is running</p>

LED Configuration

The register must be used to configure the complex functions of the LED behavior. Complex functions are of a higher priority than direct LED functions as of registers MMD.INTERNAL.LEDxH/L. When the PHY enters a state which is defined to activate complex LED functions all LEDs are controlled according to the type of the complex function.

LEDCL	Offset	Reset Value
LED Configuration	1F.01E1 _H	0067 _H
15		8
Res		
7	6	4
3	2	0
Res	SCAN	Res
	rw	rw
		CBLINK
		rw

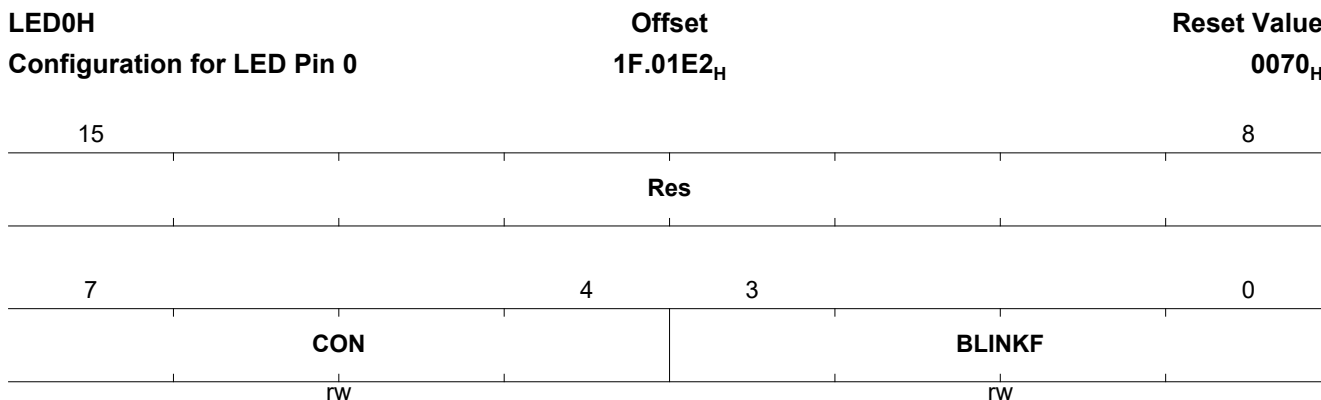
Field	Bits	Type	Description
SCAN	6:4	RW	<p>Complex SCAN Configuration</p> <p>This configuration defines in which state the "complex SCAN" should be activated. The complex SCAN performs running on which turns back and forth between the first and last LED. The speed is dependent on the MMD.INTERNAL.LEDCH.FBF setting.</p> <p>Constants</p> <p>000_B NONE No Function</p> <p>001_B LINK Complex function enabled when link is up</p> <p>010_B PDOWN Complex function enabled when device is powered-down</p> <p>011_B EEE Complex function enabled when device is in EEE mode</p> <p>100_B ANEG Complex function enabled when auto-negotiation is running</p> <p>101_B ABIST Complex function enabled when analog self-test is running</p> <p>110_B CDIAG Complex function enabled when cable diagnostics are running</p> <p>111_B TEST Complex function enabled when test mode is running</p>

MMD Registers

Field	Bits	Type	Description
CBLINK	2:0	RW	<p>Complex Blinking Configuration</p> <p>This configuration defines in which state the "complex blinking" should be activated. The complex blinking performs a blinking at the fast-blinking frequency on all LEDs simultaneously. This function can be used to indicate a special mode of the PHY such as cable-diagnostics or test. The speed is dependent on the MMD.INTERNAL.LEDCH.FBF setting.</p> <p>Constants</p> <p>000_B NONE No Function</p> <p>001_B LINK Complex function enabled when link is up</p> <p>010_B PDOWN Complex function enabled when device is powered-down</p> <p>011_B EEE Complex function enabled when device is in EEE mode</p> <p>100_B ANEG Complex function enabled when auto-negotiation is running</p> <p>101_B ABIST Complex function enabled when analog self-test is running</p> <p>110_B CDIAG Complex function enabled when cable diagnostics are running</p> <p>111_B TEST Complex function enabled when test mode is running</p>

Configuration for LED Pin 0

This register configures the behavior of the LED depending on pre-defined states or events the PHY has entered into or raised. Since more than one event/state can be active at the same time, more than one function might apply simultaneously. The priority from highest to lowest is given by the order PULSE, BLINKS, BLINKF, CON.



Field	Bits	Type	Description
CON	7:4	RW	<p>Constant On Configuration The Constant-ON field selects in which PHY states the LED is constantly on.</p> <p>Constants 0000_BNONE LED does not light up constantly 0001_BLINK10 LED is on when link is 10 Mbit/s 0010_BLINK100 LED is on when link is 100 Mbit/s 0011_BLINK10X LED is on when link is 10/100 Mbit/s 0100_BLINK1000 LED is on when link is 1000 Mbit/s 0101_BLINK10_0 LED is on when link is 10/1000 Mbit/s 0110_BLINK100X LED is on when link is 100/1000 Mbit/s 0111_BLINK10XX LED is on when link is 10/100/1000 Mbit/s 1000_BPDOWN LED is on when device is powered-down 1001_BEEE LED is on when device is in EEE mode 1010_BANEG LED is on when auto-negotiation is running 1011_BABIST LED is on when analog self-test is running 1100_BCDIAG LED is on when cable diagnostics are running 1101_BCOPPER LED is on when the COPPER interface is selected 1110_BFIBER LED is on when the FIBER or an interface other than copper is selected 1111_BRESERVED Reserved for future use</p>

Field	Bits	Type	Description
BLINKF	3:0	RW	<p>Fast Blinking Configuration</p> <p>The Blink-F Field selects in which PHY states the LED blinks with the pre-defined fast frequency.</p> <p>Constants</p> <p>0000_BNONE No Blinking</p> <p>0001_BLINK10 Blink when link is 10 Mbit/s</p> <p>0010_BLINK100 Blink when link is 100 Mbit/s</p> <p>0011_BLINK10X Blink when link is 10/100 Mbit/s</p> <p>0100_BLINK1000 Blink when link is 1000 Mbit/s</p> <p>0101_BLINK10_0 Blink when link is 10/1000 Mbit/s</p> <p>0110_BLINK100X Blink when link is 100/1000 Mbit/s</p> <p>0111_BLINK10XX Blink when link is 10/100/1000 Mbit/s</p> <p>1000_BPDOWN Blink when device is powered-down</p> <p>1001_BEEE Blink when device is in EEE mode</p> <p>1010_BANEG Blink when auto-negotiation is running</p> <p>1011_BABIST Blink when analog self-test is running</p> <p>1100_BCDIAG Blink when cable diagnostics are running</p>

Similar Registers

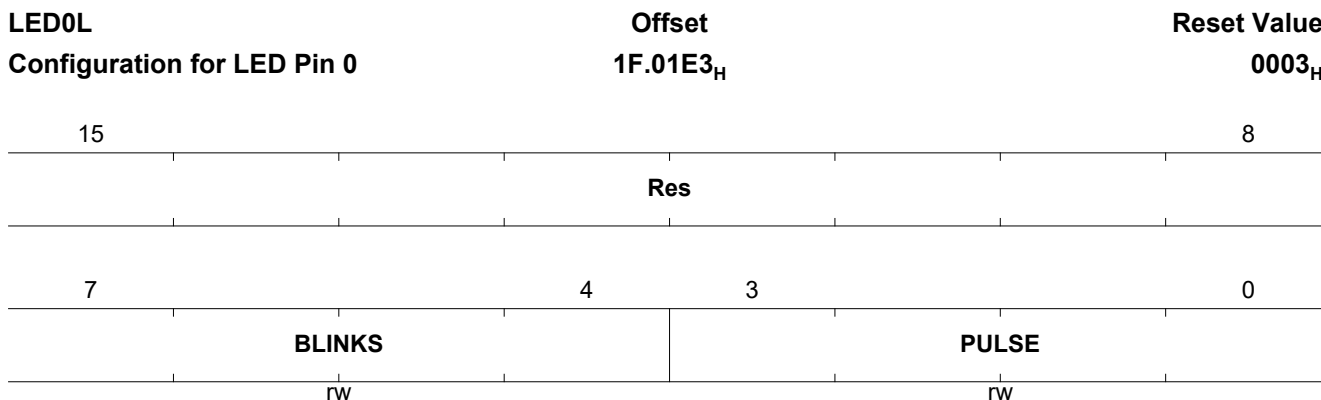
The following registers are identical to the Register [LED0H](#) defined above.

Table 39 Similar Registers

Register Short Name	Register Long Name	Offset Address	Reset Value
LED1H	Configuration for LED Pin 1	1F.01E4 _H	0020 _H
LED2H	Configuration for LED Pin 2	1F.01E6 _H	0040 _H

Configuration for LED Pin 0

This register configures the behavior of the LED depending on pre-defined states or events the PHY has entered into or raised. Since more than one event or state can be active at the same time, more than one function might apply simultaneously. The priority from highest to lowest is given by the order PULSE, BLINKS, BLINKF, CON.



Field	Bits	Type	Description
BLINKS	7:4	RW	<p>Slow Blinking Configuration</p> <p>The Blink-S field selects in which PHY states the LED blinks with the pre-defined slow frequency.</p> <p>Constants</p> <p>0000_BNONE No Blinking</p> <p>0001_BLINK10 Blink when link is 10 Mbit/s</p> <p>0010_BLINK100 Blink when link is 100 Mbit/s</p> <p>0011_BLINK10X Blink when link is 10/100 Mbit/s</p> <p>0100_BLINK1000 Blink when link is 1000 Mbit/s</p> <p>0101_BLINK10_0 Blink when link is 10/1000 Mbit/s</p> <p>0110_BLINK100X Blink when link is 100/1000 Mbit/s</p> <p>0111_BLINK10XX Blink when link is 10/100/1000 Mbit/s</p> <p>1000_BPDOWN Blink when device is powered-down</p> <p>1001_BEEE Blink when device is in EEE mode</p> <p>1010_BANEG Blink when auto-negotiation is running</p> <p>1011_BABIST Blink when analog self-test is running</p> <p>1100_BCDIAG Blink when cable diagnostics are running</p>
PULSE	3:0	RW	<p>Pulsing Configuration</p> <p>The pulse field is a mask field by which certain events can be combined, e.g. TXACT RXACT, to generate a pulse on the LED in case such an event has been detected.</p> <p>Constants</p> <p>0000_BNONE No pulsing</p> <p>0001_BTXACT Transmit activity</p> <p>0010_BRXACT Receive activity</p> <p>0100_BCOL Collision</p> <p>1000_BRES Reserved</p>

Similar Registers

The following registers are identical to the Register [LED0L](#) defined above.

Table 40 Similar Registers

Register Short Name	Register Long Name	Offset Address	Reset Value
LED1L	Configuration for LED Pin 1	1F.01E5 _H	0000 _H
LED2L	Configuration for LED Pin 2	1F.01E7 _H	0000 _H

High Byte of the EEE Link-Fail Counter

High Byte of the EEE Link-Fail Counter.

EEE_RXERR_LINK_FAIL_H	Offset	Reset Value
High Byte of the EEE Link-Fail Counter	1F.01EA _H	0000 _H
15		8
	Res	
7		0
	VAL	
	ro	

Field	Bits	Type	Description
VAL	7:0	RO	VAL High byte of the EEE_RXERR_LINK_FAIL counter. A read access to the low byte also clears the high byte of this counter.

Low Byte of the EEE Link-Fail Counter

Low Byte of the EEE Link-Fail Counter.

EEE_RXERR_LINK_FAIL_L	Offset	Reset Value
Low Byte of the EEE Link-Fail Counter	1F.01EB _H	0000 _H
15		8
	Res	
7		0
	VAL	
	ro	

Field	Bits	Type	Description
VAL	7:0	RO	VAL Low byte of the EEE_RXERR_LINK_FAIL counter. A read access to this byte also clears the high byte of this counter.

Wake-On-LAN Control Register

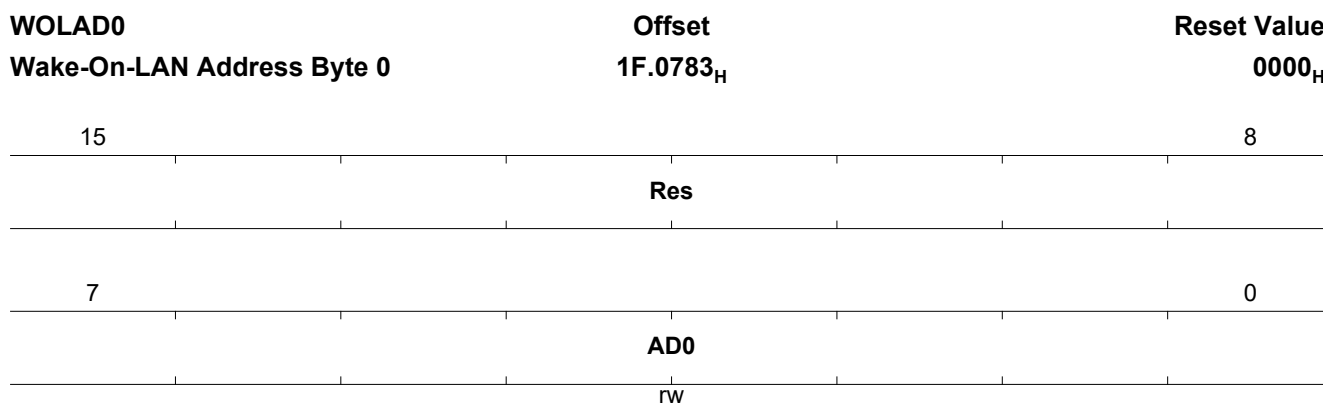
Wake-On-LAN Control Register.

WOLCTRL	Offset	Reset Value
Wake-On-LAN Control Register	1F.0781 _H	0000 _H
15		8
Res		
7	3	2 1 0
	Res	SPWD_EN RES EN
		rw ro rw

Field	Bits	Type	Description
SPWD_EN	2	RW	<p>Secure-ON Password Enable If enabled, checks for the Secure-ON password after the 16 MAC address repetitions.</p> <p>Constants 0_B DISABLED Secure-On password check is disabled 1_B ENABLED Secure-On password check is enabled</p>
RES	1	RO	<p>Reserved Must always be written to zero!</p>
EN	0	RW	<p>Enables the Wake-On-LAN functionality If Wake-On-LAN is enabled, the PHY scans for the configured magic packet and indicates its reception via the register bit ISTAT.WOL, and optionally also via interrupt.</p> <p>Constants 0_B DISABLED Wake-On-LAN functionality is disabled 1_B ENABLED Wake-On-LAN functionality is enabled</p>

Wake-On-LAN Address Byte 0

Wake-On-LAN Address Byte 0.



Field	Bits	Type	Description
AD0	7:0	RW	Address Byte 0 Defines byte 0 of the WOL-designated MAC address to which the PHY is sensitive.

Similar Registers

The following registers are identical to the Register **WOLAD0** defined above.

Table 41 Similar Registers

Register Short Name	Register Long Name	Offset Address	Reset Value
WOLAD1	Wake-On-LAN Address Byte 1	1F.0784 _H	0000 _H
WOLAD2	Wake-On-LAN Address Byte 2	1F.0785 _H	0000 _H
WOLAD3	Wake-On-LAN Address Byte 3	1F.0786 _H	0000 _H
WOLAD4	Wake-On-LAN Address Byte 4	1F.0787 _H	0000 _H
WOLAD5	Wake-On-LAN Address Byte 5	1F.0788 _H	0000 _H

Wake-On-LAN SecureON Password Byte 0

Wake-On-LAN SecureON Password Byte 0.

WOLPW0	Offset	Reset Value
Wake-On-LAN SecureON Password Byte 0	1F.0789 _H	0000 _H
15		8
	Res	
7		0
	PW0	
	rw	

Field	Bits	Type	Description
PW0	7:0	RW	SecureON Password Byte 0 Defines byte 0 of the WOL-designated SecureON password to which the PHY is sensitive.

Similar Registers

The following registers are identical to the Register **WOLPW0** defined above.

Table 42 Similar Registers

Register Short Name	Register Long Name	Offset Address	Reset Value
WOLPW1	Wake-On-LAN SecureON Password Byte 1	1F.078A _H	0000 _H
WOLPW2	Wake-On-LAN SecureON Password Byte 2	1F.078B _H	0000 _H
WOLPW3	Wake-On-LAN SecureON Password Byte 3	1F.078C _H	0000 _H
WOLPW4	Wake-On-LAN SecureON Password Byte 4	1F.078D _H	0000 _H
WOLPW5	Wake-On-LAN SecureON Password Byte 5	1F.078E _H	0000 _H

6 Electrical Characteristics

This chapter specifies the electrical characteristics of the GPY111.

6.1 Absolute Maximum Ratings

Table 43 shows the absolute maximum ratings for the GPY111.

Attention: Stresses above the maximum values listed in this table may cause permanent damage to the device. Exposure to absolute maximum rating conditions for extended periods may affect device reliability.

Attention: Maximum ratings are absolute ratings; exceeding only one of these values may cause irreversible damage to the device.

Table 43 Absolute Limit Ratings

Parameter	Symbol	Values			Unit	Note / Test Condition
		Min.	Typ.	Max.		
Storage temperature limits	T_{STG}	-55.0	–	125.0	°C	–
DC voltage limits on pad supply pins	V_{DDP}	-0.5	–	4.0	V	–
DC voltage limits on high supply pins	V_{DDH}	-0.5	–	4.0	V	–
DC voltage limits on DC/DC supply pins	V_{DDR}	-0.5	–	4.0	V	–
DC voltage limits on low supply pins	V_{DDL}	-0.5	–	1.6	V	–
DC voltage limits on core supply pins	V_{DDC}	-0.5	–	1.6	V	–
DC voltage limits on any digital pin ¹⁾	V_{DC}	-0.5	–	$V_{DDP}+0.5$	V	–
DC current limits on any digital input pin	$I_{DC,digital}$	-10.0	–	10.0	mA	–
DC current limits on DC/DC supply pin	$I_{DC,DC/DC}$	-400.0	–	400.0	mA	–
ESD robustness HBM: 1.5 kΩ, 100 pF	$V_{ESD,HBM}$	–	–	2000.0	V	According to EIA/JESD22-A114-B
ESD robustness	$V_{ESD,CDM}$	–	–	500.0	V	According to ESD association standard DS5.3.1 - 1999

1) That is, any pin which is not a supply pin of one of the domains: V_{DDH} , V_{DDL} , V_{DDC}

6.2 Operating Range

Table 44 defines the limit values of voltages and temperature that can be applied while still guaranteeing proper operation of the GPY111. As can be seen in the table, the device only needs one power supply, which can be arbitrarily chosen between 2.5 V and 3.3 V. When the optional DC/DC converter is not used, an additional low-voltage supply of 1.0 V is required.

For reliable and stable operation, it is highly recommended to keep the supply voltages as close as possible to the specified nominal voltages, and not approach the minimums specified.

Table 44 Operating Range

Parameter	Symbol	Values			Unit	Note / Test Condition
		Min.	Typ.	Max.		
Ambient temperature under bias	T_A	-40.0	–	85.0	°C	–
Pad supply voltage	V_{DDP}	3.14	3.30	3.47	V	3.3 V supply
		2.37	2.50	2.62	V	2.5 V supply
High supply voltage	V_{DDH}	3.14	3.30	3.47	V	3.3 V supply
		2.37	2.50	2.62	V	2.5 V supply
DC/DC supply voltage	V_{DDR}	3.14	3.30	3.47	V	3.3 V supply
		2.37	2.50	2.62	V	2.5 V supply
Low supply voltage	V_{DDL}	0.95	1.00	1.05	V	–
Core supply voltage	V_{DDC}	0.95	1.00	1.05	V	–
Ground	V_{SS}	0.00	0.00	0.00	V	–

6.3 Recommended Operating Conditions

The recommended conditions for typical applications are to use nominal voltages of either 2.5 V or 3.3 V for V_{DDP} , V_{DDH} and V_{DDR} . **Table 44** shows the supported operating ranges for these typical nominal voltage values.

In order to optimize the overall power consumption of the GPY111, a supply voltage of 2.5 V is recommended. The 3.3 V supply is intended to support legacy systems with only 3.3 V supply lines. At $V_{DDH} = 2.5$ V, it is not possible to fulfill the requirements according to the standard specified in IEEE 802.3, clause 14.3.1.2.1 [1], as the peak voltage requirement in 10BASE-T mode is slightly violated due to physical limitations. The timing characteristics specified from this point onwards are only valid for nominal voltages of either 2.5 V or 3.3 V.

6.4 Power-Up Sequence

It is recommended that the voltage domains are powered up simultaneously. It is essential that the chip-reset signal be asserted before or simultaneously with the voltage domains power-up, and that this signal remains asserted for as long as specified in the reset AC characteristics in **Chapter 6.6.1**.

6.5 DC Characteristics

The following sections describe the DC characteristics of the GPY111 external interfaces.

6.5.1 Digital Interfaces

This section describes the DC characteristics of the digital interfaces.

6.5.1.1 GPIO Interfaces

This chapter defines the DC characteristics of the GPIO Interface, consisting of the following interfaces:

- MDIO (MDC, MDIO)
- EEPROM/I²C (SCL, SDA)
- Management interrupt (MDINT)
- Clock outputs (CLKOUT)
- Chip reset (RSTN)

The DC characteristics for $V_{DDP} = 2.5\text{ V}$ are summarized in [Table 45](#).

The DC characteristics for $V_{DDP} = 3.3\text{ V}$ are summarized in [Table 46](#).

Table 45 DC Characteristics of the GPIO Interfaces ($V_{DDP} = 2.5\text{ V}$)

Parameter	Symbol	Values			Unit	Note / Test Condition
		Min.	Typ.	Max.		
Input high voltage	V_{IH}	1.8	–	$V_{DDP}+0.3$	V	–
Input low voltage	V_{IL}	–	–	0.7	V	–
Output high voltage	V_{OH}	2.0	–	–	V	$I_{OH} = -4\text{ mA}$
Output low voltage	V_{OL}	–	–	0.4	V	$I_{OL} = 4\text{ mA}$

Table 46 DC Characteristics of the GPIO Interfaces ($V_{DDP} = 3.3\text{ V}$)

Parameter	Symbol	Values			Unit	Note / Test Condition
		Min.	Typ.	Max.		
Input high voltage	V_{IH}	2.3	–	$V_{DDP}+0.3$	V	–
Input low voltage	V_{IL}	–	–	0.7	V	–
Output high voltage	V_{OH}	2.7	–	–	V	$I_{OH} = -4\text{ mA}$
Output low voltage	V_{OL}	–	–	0.4	V	$I_{OL} = 4\text{ mA}$

6.5.1.2 MII Receive Interface

This section defines the DC characteristics of the MII receive interface. Depending on the MII mode, this interface comprises the set of pins RX_CLK, RXD[3:0], RX_CTL, and MII_TXC. The DC characteristics summarized in [Table 47](#) are valid for $V_{DDP} = 2.5\text{ V}$ and $V_{DDP} = 3.3\text{ V}$.

Table 47 DC Characteristics of the Receive MII Interface

Parameter	Symbol	Values			Unit	Note / Test Condition
		Min.	Typ.	Max.		
Output high voltage (R)GMII mode	V_{OH}	2.1	–	–	V	$I_{OH} = -1\text{ mA}$, $V_{DDP} = 2.37\text{ V}$
Output high voltage MII mode	V_{OH}	2.4	–	–	V	$I_{OH} = -4\text{ mA}$, $V_{DDP} = 3.13\text{ V}$
Output low voltage	V_{OL}	–	–	0.4	V	$I_{OL} = 4\text{ mA}$

6.5.1.3 MII Transmit Interface

This section defines the DC characteristics of the MII transmit interface. Depending on the MII mode, this interface comprises the set of pins TX_CLK, TXD[3:0], TX_CTL. The DC characteristics summarized in [Table 48](#) are valid for $V_{DDP} = 2.5\text{ V}$ and $V_{DDP} = 3.3\text{ V}$. Note that these pins are multiplexed with a SerDes interface, for example SGMII or 1000BASE-X, depending on the operational mode of the GPY111. This chapter specifies the DC characteristics for the case that these pins operate in one of the non-SerDes modes.

Table 48 DC Characteristics of the Transmit MII Interface

Parameter	Symbol	Values			Unit	Note / Test Condition
		Min.	Typ.	Max.		
Input high voltage	V_{IH}	1.7	–	–	V	–
Input low voltage	V_{IL}	–	–	0.9	V	–

6.5.1.4 LED Interface

This section defines the DC characteristics of the LED interface, summarized in [Table 49](#). Note that these characteristics only apply in LED-driving mode. During device startup, when the LED pins are serving the soft pin-strapping function, these characteristics do not necessarily apply.

Table 49 DC Characteristics of the Transmit LED Interface

Parameter	Symbol	Values			Unit	Note / Test Condition
		Min.	Typ.	Max.		
Output high voltage	V_{OH}	1.9	–	–	V	$V_{DDH} = 2.5\text{ V}$, $I_{OH} = -15\text{ mA}$
Output high voltage	V_{OH}	2.7	–	–	V	$V_{DDH} = 3.3\text{ V}$, $I_{OH} = -15\text{ mA}$
Output low voltage	V_{OL}	–	–	0.4	V	$I_{OL} = 15\text{ mA}$

6.5.1.5 JTAG Interface

The JTAG Interface comprises the set of pins TCK, TDI, TDO and TMS. It operates in the VDDH power domain. The DC characteristics for $V_{DDH} = 2.5\text{ V}$ and $V_{DDH} = 3.3\text{ V}$ are summarized in [Table 50](#) and [Table 51](#), respectively.

Table 50 DC Characteristics of the JTAG Interface (VDDH = 2.5 V)

Parameter	Symbol	Values			Unit	Note / Test Condition
		Min.	Typ.	Max.		
Input high voltage	V_{IH}	1.8	–	$V_{DDH}+0.3$	V	–
Input low voltage	V_{IL}	–	–	0.7	V	–
Output high voltage	V_{OH}	2.1	–	–	V	$I_{OH} = -4\text{ mA}$
Output low voltage	V_{OL}	–	–	0.4	V	$I_{OL} = 4\text{ mA}$

Table 51 DC Characteristics of the JTAG Interface (VDDH = 3.3 V)

Parameter	Symbol	Values			Unit	Note / Test Condition
		Min.	Typ.	Max.		
Input high voltage	V_{IH}	2.3	–	$V_{DDH}+0.3$	V	–
Input low voltage	V_{IL}	–	–	0.7	V	–
Output high voltage	V_{OH}	2.7	–	–	V	$I_{OH} = -4\text{ mA}$
Output low voltage	V_{OL}	–	–	0.4	V	$I_{OL} = 4\text{ mA}$

6.5.2 Twisted-Pair Interface

The TPI conforms to the 10BASE-T, 100BASE-TX and 1000BASE-T specifications described in IEEE802.3 [\[1\]](#), as well as ANSI X3.263-1995 [\[4\]](#).

6.5.3 SGMII Interface

Since the SGMII interface implementation on the GPY111 is purely AC coupled, there are no DC characteristics to be specified. Instead, [Chapter 6.9.6](#) specifies the AC-coupling external circuitry with an option to generate the common-mode offset voltage required for DC-coupled operation (compliant with [\[13\]](#)) with the SGMII link partner. The AC characteristics which apply in SGMII mode are specified in [Chapter 6.6.8](#).

6.5.4 1000BASE-X Interface

Since the 1000BASE-X interface implementation on the GPY111 is purely AC coupled, there are no DC characteristics to be specified. Instead, [Chapter 6.9.7](#) specifies the AC-coupling external circuitry. The AC characteristics which apply in 1000BASE-X mode are specified in [Chapter 6.6.9](#).

6.6 AC Characteristics

The following sections describe the AC characteristics of the external interfaces.

6.6.1 Reset

The GPY111 supports an asynchronous hardware reset, RSTN. The timing requirements of the GPY111 related to the RSTN pin are listed in [Table 52](#). The timing requirements refer to the signal sequence waveforms shown in [Figure 38](#)¹⁾.

After the power supply settling time, all primary input signals to the GPY111 must be defined. In particular, the device reset RSTN must be held for a time t_{reset} . As shown in [Figure 38](#), the reference clock (either generated internally using an attached crystal, or applied externally from an external crystal oscillator) should be available at the latest before the reset is released. This setup time is denoted as t_{ref} . The maximum slope of the rising edge of the reset signal is constrained by the rise time t_r . In case the integrated DC/DC switching regulator is used to self-supply the low-voltage domains, the reference clock must not be interrupted at all, unless when powering down the system.

The GPY111 only starts booting its integrated device controller after the clock is running and the reset signal has been released. After locking the PLL to the reference clock, the device does soft pin-strapping as well as an EEPROM scan (only if an EEPROM is connected). Since the default values inside the MDIO address space are modified by both procedures, the first MDIO access is only allowed after a time t_{MDIO} .

Once the device is powered up, the clock output is continuously driven, irrespective of the status of the reset pin.

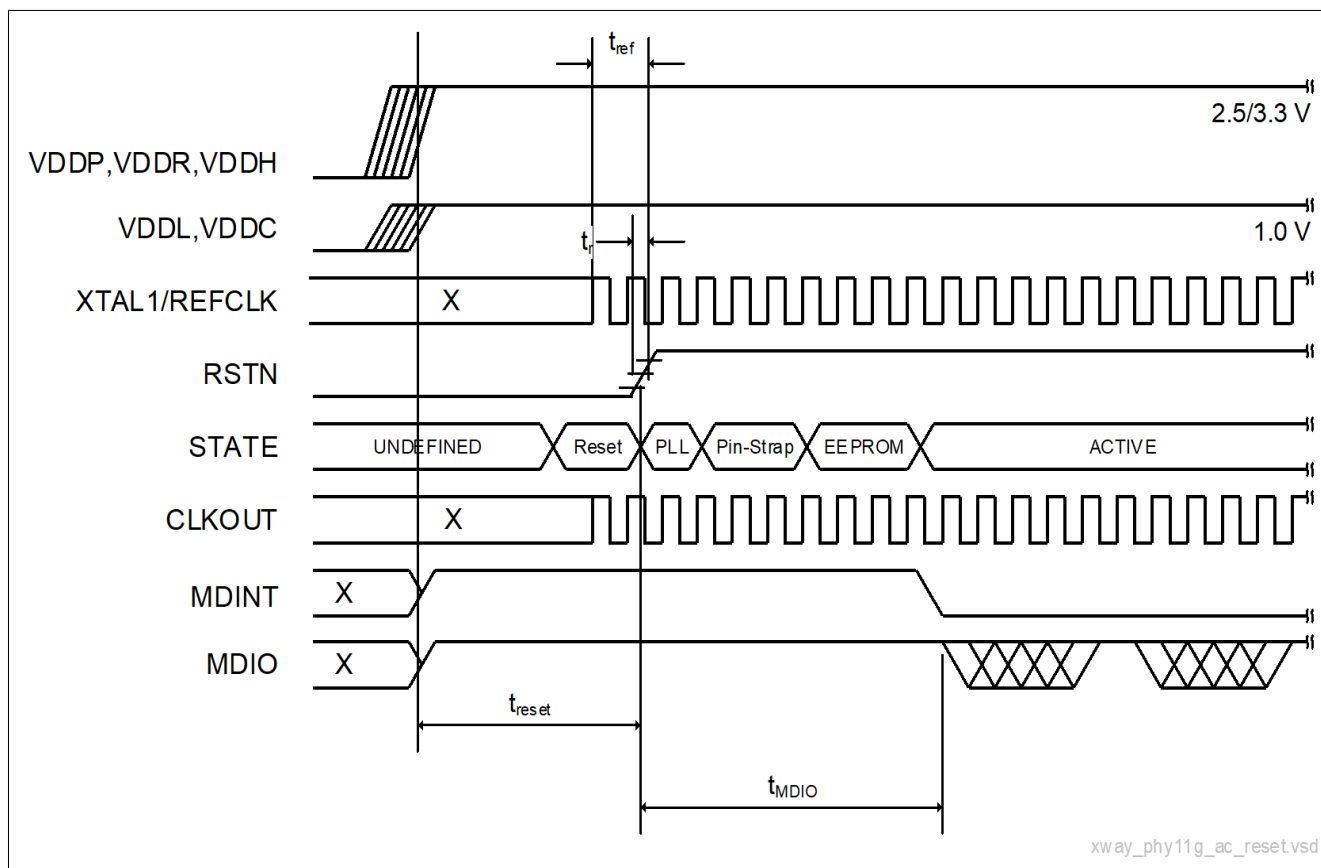


Figure 38 Timing Diagram for the GPY111 Reset Sequence

1) [Figure 38](#) shows an active-low MDINT signal. However, MDINT can be configured to either active-low or active-high, depending on the external configuration. Refer to [Chapter 3.4.3.3 - MDIO Interrupt](#) for more information.

Table 52 AC Characteristics of the RSTN Pin

Parameter	Symbol	Values			Unit	Note / Test Condition	
		Min.	Typ.	Max.			
Reset time	t_{reset}	200.0	–	–	ms	Flow Copper	Mode SGMII/SGMII_NC
		1.0	–	–	ms	Converter Copper	CONV_X2T1000/ CONV_X2T1000A RGMII/RMII
Rise time	t_R	–	–	10.0	ns	–	
First MDIO access after reset release	t_{MDIO}	300.0	–	–	ms	–	

Note: For proper operation, the reset should be activated for a duration of t_{reset} after the power supply has settled to the correct value. Further, the signals at the CLK1 and CLK2 pads should also have stabilized.

6.6.2 Power Supply

Table 53 lists the AC characteristics of the power supplies.

Table 53 AC Characteristics of the Power Supply

Parameter	Symbol	Values			Unit	Note / Test Condition
		Min.	Typ.	Max.		
Power supply ripple on VDDL	R_{VDDL}	–	–	50.0	mV	Peak-peak value
Power supply ripple on VDDC	R_{VDDC}	–	–	50.0	mV	Peak-peak value
Power supply ripple on VDDP	R_{VDDP}	–	–	100.0	mV	Peak-peak value
Power supply ripple on VDDH	R_{VDDH}	–	–	100.0	mV	Peak-peak value
Power supply ripple on VDDR	R_{VDDR}	–	–	100.0	mV	Peak-peak value

Attention: It is to be noted that the operating range specified in Table 44 must still be respected, when above power supply ripple voltages are considered.

6.6.3 Input Clock

Table 54 lists the input clock requirements for the case when no crystal is used, that is, when an external reference clock is applied at the XTAL1 pin of the GPY111. The table includes nominal frequency, frequency deviation, duty cycle and signal characteristics. If a crystal is used with the integrated oscillator to generate the reference clock, the clock requirements stated here are implicitly met as long as the specification for the crystal outlined in Chapter 6.9.1 is satisfied.

Table 54 AC Characteristics of Input Clock on XTAL1 Pin

Parameter	Symbol	Values			Unit	Note / Test Condition
		Min.	Typ.	Max.		
Frequency with 25 MHz input ¹⁾	f_{clk25}	–	25.0	–	MHz	–
Frequency with 125 MHz input ¹⁾	f_{clk125}	–	125.0	–	MHz	–
Frequency deviation		-50.0	–	+50.0	ppm	–

Table 54 AC Characteristics of Input Clock on XTAL1 Pin (cont'd)

Parameter	Symbol	Values			Unit	Note / Test Condition
		Min.	Typ.	Max.		
Duty cycle		40.0	50.0	60.0	%	–
Rise/fall times		–	–	1.0	ns	–

1) More details on how to select the output frequency are given in [Chapter 3.4.1](#).

6.6.4 Output Clock

Table 55 lists the output clock requirements for the CLKOUT pin on the GPY111, including nominal frequency, frequency deviation, duty cycle and signal characteristics.

Table 55 AC Characteristics of Output Clock on CLKOUT Pin

Parameter	Symbol	Values			Unit	Note / Test Condition
		Min.	Typ.	Max.		
Frequency at 25 MHz	f_{clk25}	–	25.0	–	MHz	–
Frequency deviation		-50.0	–	+50.0	ppm	–
Duty cycle		49.0	50.0	51.0	%	–
Rise/fall-times		–	–	1.0	ns	–

6.6.5 MDIO Interface

Figure 39 shows a timing diagram of the MDIO interface for a clock cycle in the read, write and turn-around modes. The timing measurements are annotated, and their absolute values defined in [Table 56](#).

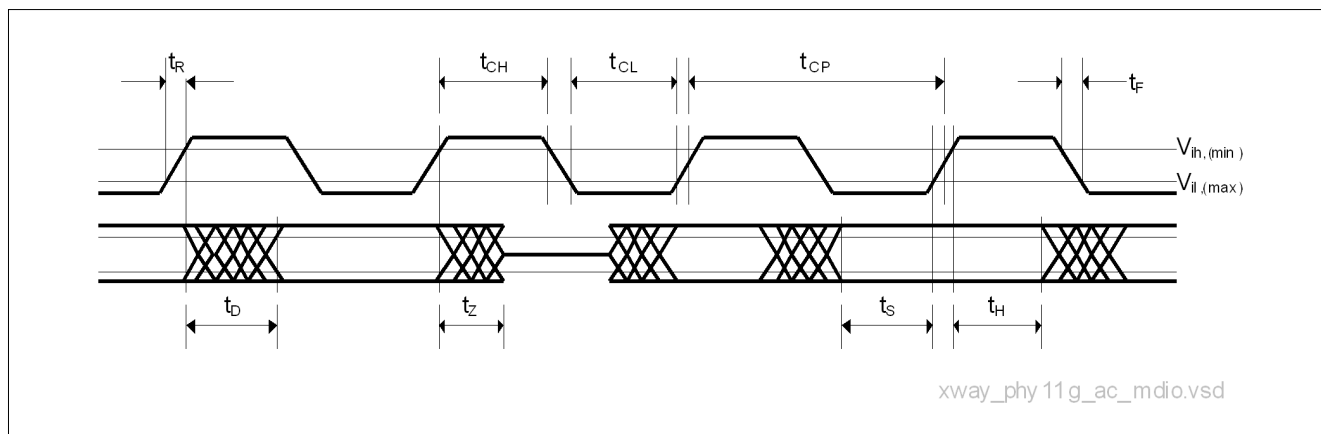


Figure 39 Timing Diagram for the MDIO Interface

Table 56 AC Characteristics of the MDIO Interface

Parameter	Symbol	Values			Unit	Note / Test Condition
		Min.	Typ.	Max.		
MDC high time	t_{CH}	10.0	–	–	ns	Given timings are all subject to the MDC at the pin of the GPY111.
MDC low time	t_{CL}	10.0	–	–	ns	
MDC clock period	t_{CP}	40.0	–	–	ns	
MDC clock frequency	t_{CP}	–	–	25.0	MHz	
MDC rise time	t_R	–	–	5.0	ns	
MDC fall time	t_F	–	–	5.0	ns	
MDIO read delay	t_D	0.0	–	10.0	ns	
MDIO high-Ohmic (Z) delay	t_Z	0.0	–	10.0	ns	
MDIO setup time	t_S	4.0	–	–	ns	
MDIO hold time	t_H	4.0	–	–	ns	

6.6.6 RMII Interface

This section describes the AC characteristics of the RMII interface on the GPY111. This interface conforms to the RMII specification as defined by the RMII Consortium in [11].

Figure 40 shows the timing diagram of the transmit MII interface on the GPY111. It is referred to by Table 57, which specifies the timing requirements at 10 Mbit/s and 100 Mbit/s, respectively. Note that the figures provided in the table apply as setup and hold timings for all inputs (TXD[1:0], TX_EN) and as output delay to all outputs (RXD[1:0], CRS_DV and RX_ER) of this interface.

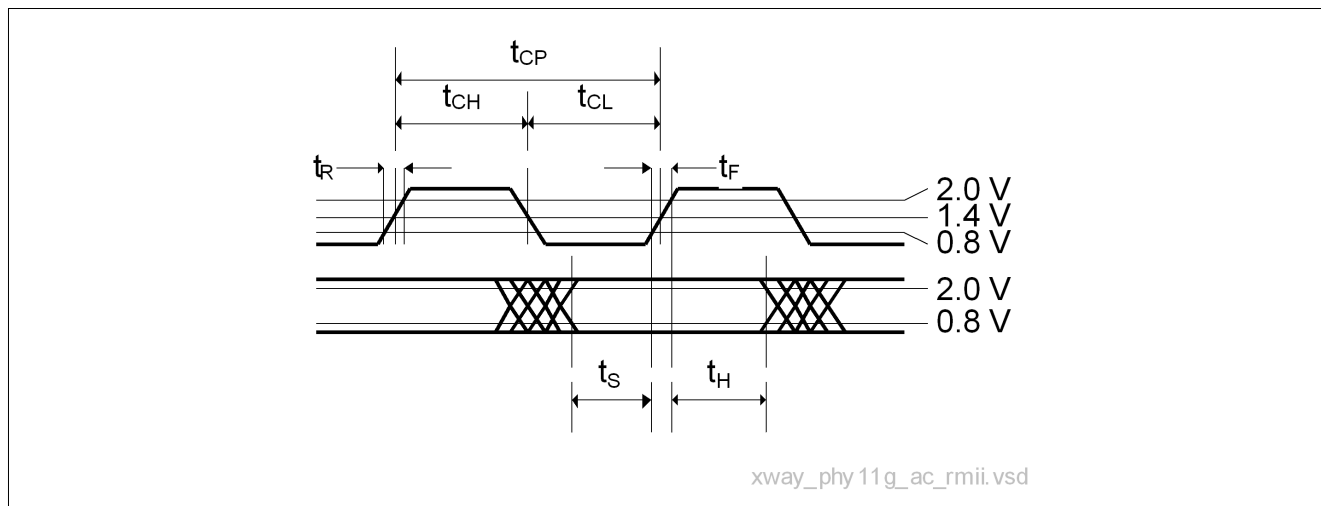


Figure 40 Transmit/Receive Timing Diagram of the RMII

Electrical Characteristics
Table 57 Timing Characteristics of the RMII at 10/100 Mbit/s

Parameter	Symbol	Values			Unit	Note / Test Condition
		Min.	Typ.	Max.		
Reference clock period	t_{CP}	19.999	20.00	20.001	ns	±50 ppm
Reference clock frequency	F_{REF}	50.00 - 50 ppm	50.00	50.0 +50 ppm	MHz	±50 ppm
Reference clock high time	t_{CH}	7.00	10.00	13.00	ns	–
Reference clock low time	t_{CL}	7.00	10.00	13.00	ns	–
Reference clock duty cycle	$D = t_{CH}/t_{CL}$	35.00	50.00	65.00	%	–
Rise time (clock and data)	t_R	1.00	–	5.00	ns	–
Fall time (clock and data)	t_F	1.00	–	5.00	ns	–
Setup time/output delay subject to ↑ REFCLK	t_S	4.00	–	–	ns	–
Hold time/output delay subject to ↑ REFCLK	t_H	2.00	–	–	ns	–

6.6.7 RGMII Interface

This section describes the AC characteristics of the RGMII interface on the GPY111. Unless no HSTL voltages are supported, this interface conforms to the RGMII specification v1.3 and v2.0, as defined in [9] and [10] respectively. The RGMII interface can operate at speeds of 10 Mbit/s, 100 Mbit/s and 1000 Mbit/s.

6.6.7.1 Transmit Timing Characteristics

Figure 41 shows the timing diagram of the transmit RGMII interface on the GPY111. It is referred to by Table 58, which specifies the timing requirements. Note the data and control signals are clocked in using the internal delayed version of the TX_CLK which is the external clock delayed by the integrated delay. The delay is adjustable in steps of 0.5 ns via MDIO. If the integrated delay is not used, for example because it is implemented externally by PCB wire delays, it must be set to zero, in which case all the timings are related directly to the TX_CLK on the pin.

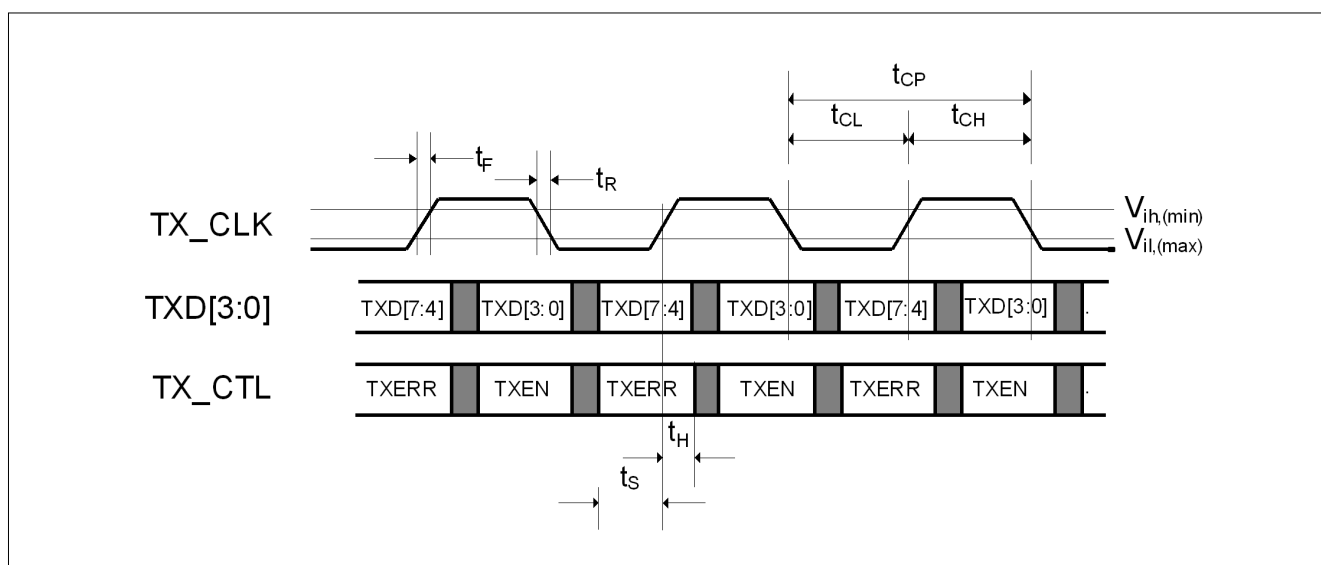


Figure 41 Transmit Timing Diagram of the RGMII

Table 58 Transmit Timing Characteristics of the RGMII

Parameter	Symbol	Values			Unit	Note / Test Condition
		Min.	Typ.	Max.		
Transmit clock frequency (TX_CLK)	f_{TX_CLK}	-50 ppm	125.0	+ 50 ppm	MHz	For 1000 Mbit/s speed
			25.0		MHz	For 100 Mbit/s speed
			2.5		MHz	For 10 Mbit/s speed
Transmit clock period (TX_CLK)	t_{CP}	7.2	8.0	8.8	ns	For 1000 Mbit/s speed
		36.0	40.0	44.0	ns	For 100 Mbit/s speed
		360.0	400.0	440.0	ns	For 10 Mbit/s speed
Duty cycle	t_{CH}/t_{CP} , t_{CL}/t_{CP}	45.0	50.0	55.0	%	Speed-independent
Transmit clock rise time (TX_CLK)	t_R	–	–	750.0	ps	20%→80%
Transmit clock fall time (TX_CLK)	t_F	–	–	750.0	ps	80%→20%
Setup time to $\uparrow\downarrow$ TX_CLK	t_S	1.0	–	–	ns	

Table 58 Transmit Timing Characteristics of the RGMII (cont'd)

Parameter	Symbol	Values			Unit	Note / Test Condition
		Min.	Typ.	Max.		
Hold time to $\uparrow\downarrow$ TX_CLK	t_H	1.0	–	–	ns	–
Integrated transmit clock delay	t_{ID}	0.0	k*0.5	3.5	ns	Adjustable via MDIO register

6.6.7.2 Receive Timing Characteristics

Figure 42 shows the timing diagram of the receive RGMII interface on the GPY111. It is referred to by Table 59, which specifies the timing requirements. The external clock on the pin is delayed by the integrated delay, which is adjustable in steps of 0.5 ns via MDIO. If the integrated delay is not used, for example because it is implemented externally by PCB wire delays, it must be set to zero, in which case all the timings are related directly to the RX_CLK on the pin.

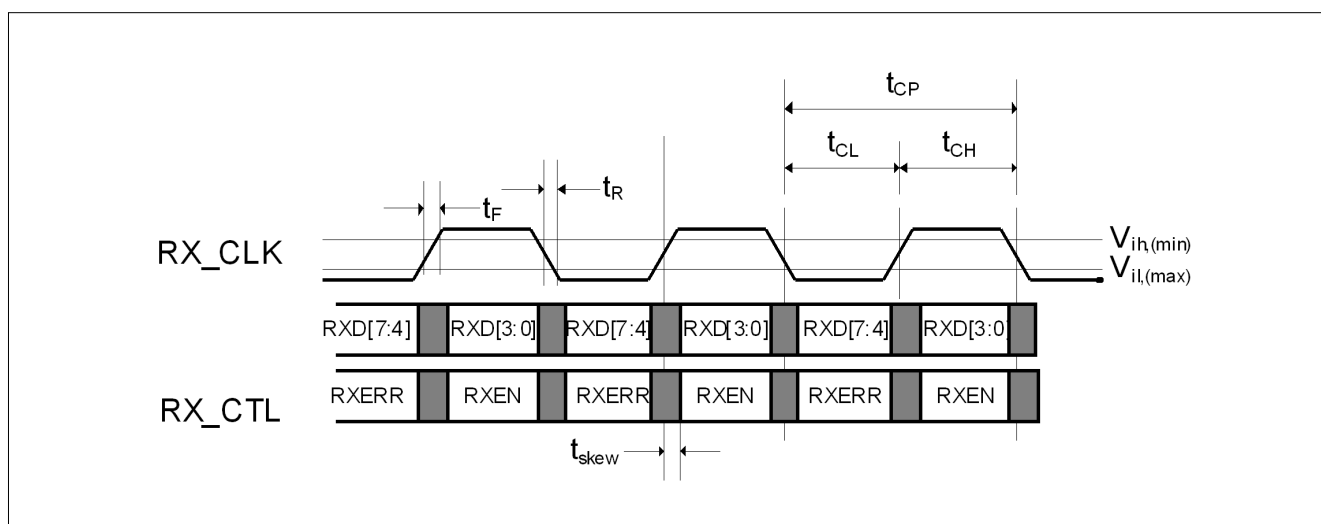


Figure 42 Receive Timing Diagram of the RGMII

Table 59 Receive Timing Characteristics of the RGMII

Parameter	Symbol	Values			Unit	Note / Test Condition
		Min.	Typ.	Max.		
Receive clock frequency (RX_CLK)	f_{RX_CLK}	-50 ppm	125.0	+ 50 ppm	MHz	For 1000 Mbit/s speed
			25.0		MHz	For 100 Mbit/s speed
			2.5		MHz	For 10 Mbit/s speed
Receive clock period (RX_CLK)	t_{CP}	7.5	8.0	8.5	ns	For 1000 Mbit/s speed
		39.5	40.0	40.5	ns	For 100 Mbit/s speed
		399.5	400.0	400.5	ns	For 10 Mbit/s speed
Duty cycle	t_{CH}/t_{CP} , t_{CL}/t_{CP}	45.0	50.0	55.0	%	Speed-independent
Receive clock rise time (TX_CLK)	t_R	–	–	750.0	ps	20% \rightarrow 80%
Receive clock fall time (TX_CLK)	t_F	–	–	750.0	ps	80% \rightarrow 20%

Electrical Characteristics

Table 59 Receive Timing Characteristics of the RGMII (cont'd)

Parameter	Symbol	Values			Unit	Note / Test Condition
		Min.	Typ.	Max.		
Clock-to-data skew	t_{skew}	-0.5	0.0	0.5	ns	The skew between the RXC and RXC/RX_CTL should be less than 500 ps
Integrated receive clock delay	t_{ID}	0.0	k*0.5	3.5	ns	Adjustable via MDIO register

6.6.8 SGMII Interface

This section describes the AC characteristics of the SGMII Interface on the GPY111. This interface conforms to the SGMII specification v1.7, as defined in [13]. The SGMII interface can operate at 1.25 Gbaud. The net data-rate is 1000 Mbit/s. Using repetition modes, 10 Mbit/s and 100 Mbit/s are supported.

Also note that [Chapter 6.9.6](#) specifies the external circuitry.

6.6.8.1 Transmit Timing Characteristics

Figure 43 shows the timing diagram of the transmit SGMII interface at the GPY111. It is referred to by [Table 60](#), which specifies the timing requirements.

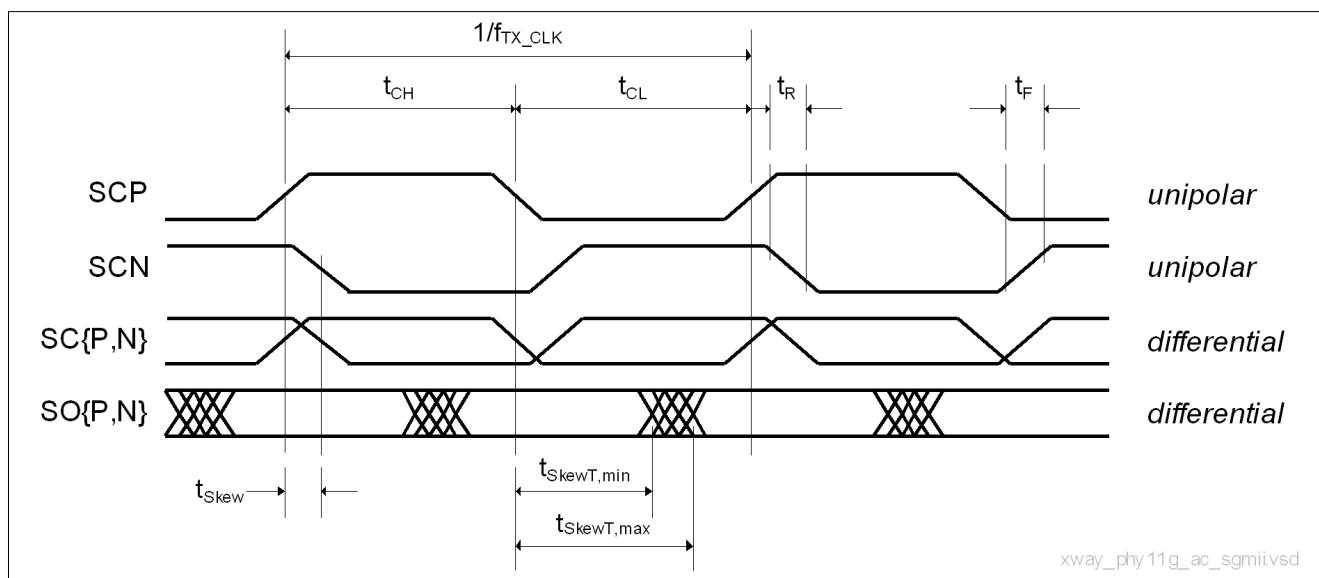


Figure 43 Transmit Timing Diagram of the SGMII

Table 60 Transmit Timing Characteristics of the SGMII

Parameter	Symbol	Values			Unit	Note / Test Condition
		Min.	Typ.	Max.		
Transmit clock frequency	f_{TX_CLK}	-50 ppm	625.0	+ 50 ppm	MHz	–
Transmit clock duty cycle	$D_{CP} = t_{CH}/t_{CL}$	48	50	52	%	–
Transmit rise time	t_R	100	–	200	ps	20%→80%
Transmit fall time	t_F	100	–	200	ps	80%→20%
Clock-to-data skew at TX	t_{skewT}	250	–	550	ps	–
Output timing jitter	J_{TX}	–	–	240	ps	Peak-peak ¹⁾
Time skew between pairs	t_{skew}	–	–	20	ps	–
Output differential voltage	V_{OD}	150	250	400	mV	Peak-peak amplitude
Output voltage ringing	V_{ring}	–	–	10	%	–
Output impedance (single-ended)	R_O	40	–	60	Ω	–
Output impedance (differential)	R_O	80	–	120	Ω	–
Delta output impedance	dR_O	–	–	10	%	–

1) Assuming BER = 1e-12 and tracking BW = 1 MHz

6.6.8.2 Receive Timing Characteristics

Figure 44 shows the timing diagram of the receive SGMII interface on the GPY111. It is referred to by Table 61, which specifies the timing requirements. Note that the integrated SGMII operates using a CDR (Clock and Data Recovery), and therefore does not require the 625 MHz differential receive clock. Consequently, there are no timing requirement related to this clock.

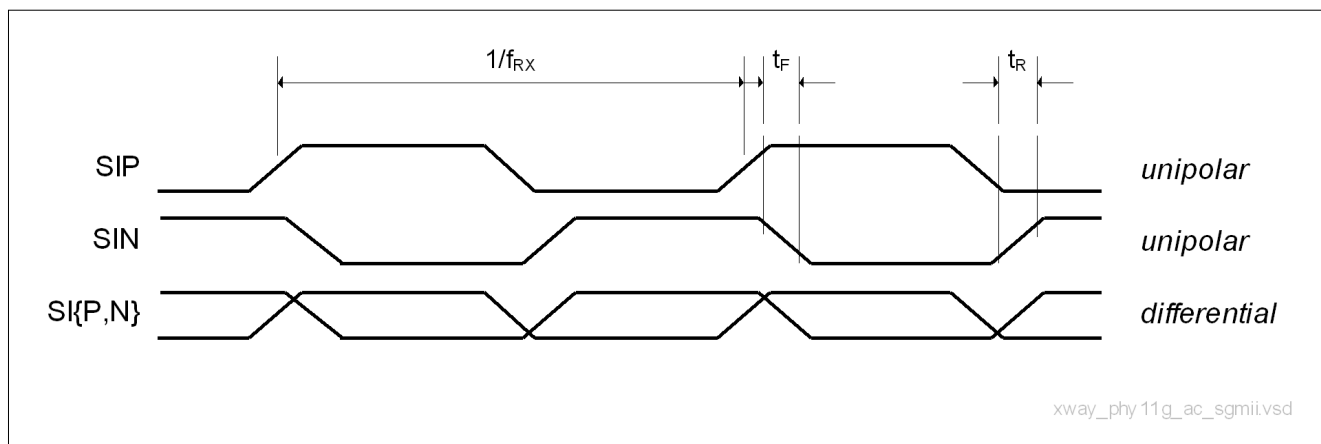


Figure 44 Receive Timing Diagram of the SGMII

Table 61 Receive Timing Characteristics of the SGMII

Parameter	Symbol	Values			Unit	Note / Test Condition
		Min.	Typ.	Max.		
Receive data rate	f_{RX}	-50 ppm	1250.0	+ 50 ppm	Mbit/s	–
Receive data jitter tolerance	J_{RX}	–	–	500	ps	–
Receive signal rise time	t_R	–	–	300	ps	20%→80%
Receive signal fall time	t_F	–	–	300	ps	80%→20%
Input differential voltage	V_{ID}	50	–	500	mV	Peak-amplitude
Input impedance (single-ended)	R_I	40	–	60	Ω	–
Input impedance (differential)	R_I	80	–	120	Ω	–

6.6.9 1000BASE-X Interface

This section describes the AC characteristics of the 1000BASE-X interface on the GPY111. This interface conforms to the specifications given in IEEE802.3, clause 36 (see [1]). The 1000BASE-X interface can operate at 1.25 Gbaud. The net data-rate is 1000 Mbit/s.

Also note that [Chapter 6.9.7](#) describes the external circuitry.

6.6.9.1 Transmit Timing Characteristics

Figure 45 shows the timing diagram of the transmit 1000BASE-X interface on the GPY111. It is referred to by **Table 62**, which specifies the timing requirements.

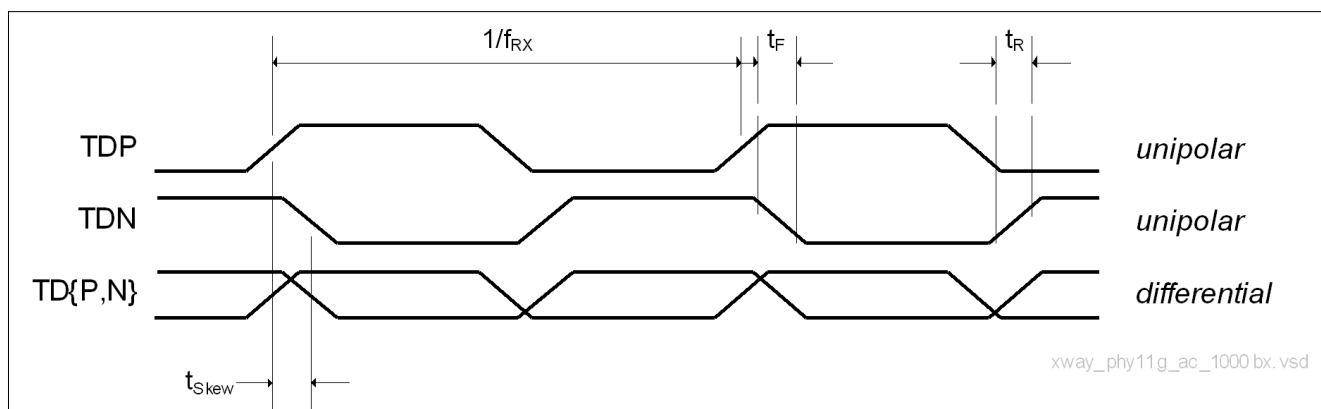


Figure 45 Transmit Timing Diagram of the 1000BASE-X Interface

Table 62 Transmit Timing Characteristics of the 1000BASE-X Interface

Parameter	Symbol	Values			Unit	Note / Test Condition
		Min.	Typ.	Max.		
Transmit data rate	f_{RX}	-50 ppm	1250.0	+ 50 ppm	Mbit/s	–
Transmit rise time	t_R	100	–	200	ps	20%→80%
Transmit fall time	t_F	100	–	200	ps	80%→20%
Output data jitter	J_{TX}	–	–	240	ps	Peak-peak ¹⁾
Time skew between pairs	t_{Skew}	–	–	20	ps	–
Output differential voltage	V_{OD}	150	250	500	mV	Peak-peak amplitude
Output voltage ringing	V_{ring}	–	–	10	%	–
Output impedance (single-ended)	R_O	40	–	60	Ω	–
Output impedance (differential)	R_O	80	–	120	Ω	–
Delta output impedance	dR_O	–	–	10	%	–

1) Assuming BER = 1e-12 and tracking BW = 1 MHz

6.6.9.2 Receive Timing Characteristics

Figure 46 shows the timing diagram of the receive 1000BASE-X interface on the GPY111. It is referred to by Table 63, which specifies the timing requirements.

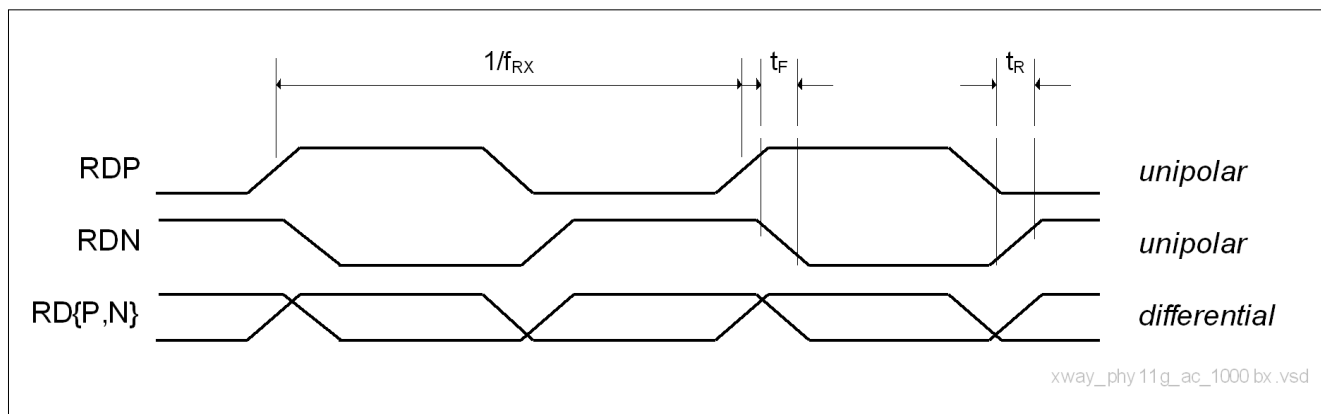


Figure 46 Receive Timing Diagram of the 1000BASE-X

Table 63 Receive Timing Characteristics of the 1000BASE-X

Parameter	Symbol	Values			Unit	Note / Test Condition
		Min.	Typ.	Max.		
Receive data rate	f_{RX}	-50 ppm	1250.0	+ 50 ppm	Mbit/s	–
Receive data jitter tolerance	J_{RX}	–	–	500	ps	–
Receive signal rise time	t_R	–	–	300	ps	20%→80%
Receive signal fall time	t_F	–	–	300	ps	80%→20%
Input differential voltage	V_{ID}	50	–	500	mV	Peak-amplitude
Input impedance (single-ended)	R_I	40	–	60	Ω	–
Input impedance (differential)	R_I	80	–	120	Ω	–

6.6.10 Twisted-Pair Interface

The AC characteristics for the TPI on pins VxpA, VxnA, VxpB, VxnB, VxpC, VxnC, VxpD and VxnD are specified in [1] and [4]. Since the GPY111 conforms to these standards, the values and limits specified there apply to this specification as well.

6.7 Power Consumption

Table 64 specifies the typical power consumption of the GPY111 (PEF7071VV16) under various operating modes and line lengths (with each power domain's current consumption listed individually). The 1.0 V is assumed to be generated with an external DCDC converter. The length of the Ethernet cable is 3 m, unless otherwise mentioned.

Table 64 Power Consumption with VDDH and VDDP Set to 2.5 V, VDDC and VDDL Set to 1.0 V

Operating Mode (Mbit/s)	VDDP 2.5 V (mA)	VDDL 1.0 V (mA)	VDDC 1.0 V (mA)	VDDH 2.5 V (mA)	Power (mW)
Reset	2.0	2.0	10.0	8.0	40.0
Power Down	2.0	4.0	20.0	8.0	50.0
No link	2.0	21.0	40.0	13.0	99.0
10 Mbps (Idle)	2.0	16.0	42.0	16.0	104.0
10 Mbps (Run)	2.0	16.0	43.0	20.0	114.0
100 Mbps (Idle)	3.0	22.0	51.0	31.0	158.0
100 Mbps (Idle, EEE)	3.0	22.0	45.0	20.0	124.0
100 Mbps (Run)	4.0	22.0	51.0	31.0	160.0
1000 Mbps (Idle)	9.0	72.0	150.0	60.0	396.0
1000 Mbps (Idle, EEE)	9.0	70.0	80.0	26.0	238.0
1000 Mbps (Run)	10.0	72.0	150.0	60.0	400.0
1000 Mbps (Run, 100m)	10.0	75.0	211.0	60.0	460.0

6.8 Isolation Requirements

The GPY111 meets the isolation requirements specified in [1], clause 14.7.2.4 and clause 40.6.1.1, as well as in [4] clause 8.4.

6.9 External Circuitry

This chapter specifies the component characteristics of the external circuitry connected to the GPY111.

6.9.1 Crystal

In case no external reference clock (as described in [Chapter 6.6.3](#)) is available, the device must generate its own self-contained clock using an external crystal (parallel resonator) connected to XTAL1 and XTAL2. The internal crystal oscillator internally generates a reference clock which conforms to the specification defined in [Chapter 6.6.3](#), as long as the component specification outlined in this section is satisfied. In order to specify the crystal, an equivalent circuit is shown in [Figure 47](#). This circuit is referred to by the component characteristics specification given in [Table 65](#).

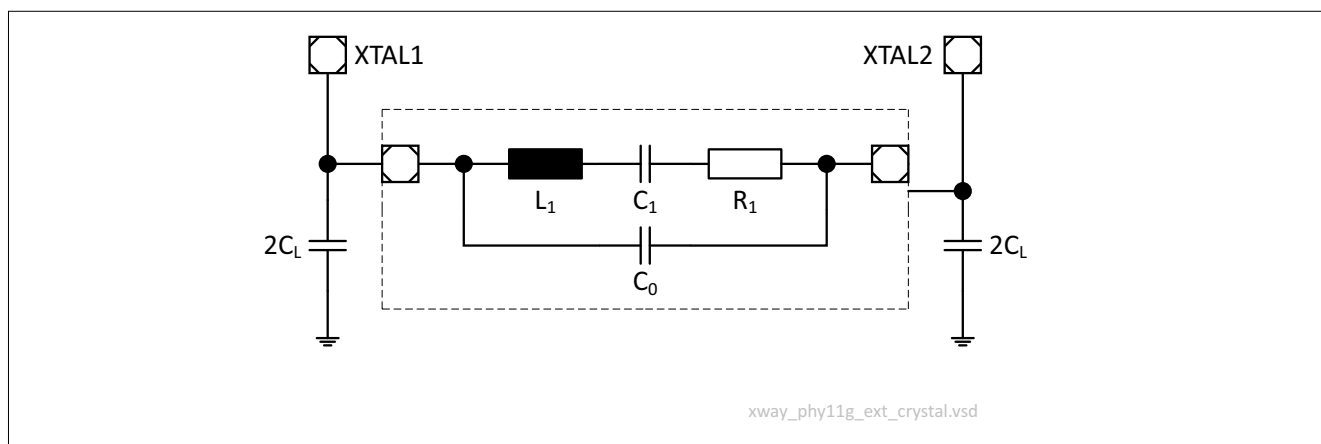


Figure 47 Equivalent Circuit for Crystal Specification

Table 65 Electrical Characteristics for Supported Crystals

Parameter	Symbol	Values			Unit	Note / Test Condition
		Min.	Typ.	Max.		
Main resonant frequency	f_{Res}	–	25		MHz	–
Total frequency stability ¹⁾		-50	0	+50	ppm	–
Temperature range	T	-40	–	+85	°C	–
Series capacitance	C_1	–	15	30	fF	–
ESR	R_1	–	30	70	Ω	–
Shunt capacitance	C_0	–	–	7	pF	–
Load capacitance	$2C_L$	–	33.0	–	pF	–
Drive level	P_{drive}	0.1	–	–	mW	–

1) Refers to the sum of all effects, e.g. general tolerances, aging, temperature dependency

6.9.2 LED

This section specifies the electrical characteristics of the LEDs which are supported. Note that the requirements specified here are given to guarantee proper operation of the pin-strapping ([Chapter 3.4.1](#)), which shares the LED pins. Nevertheless, the requirements are selected to fit almost every LED available on the target market.

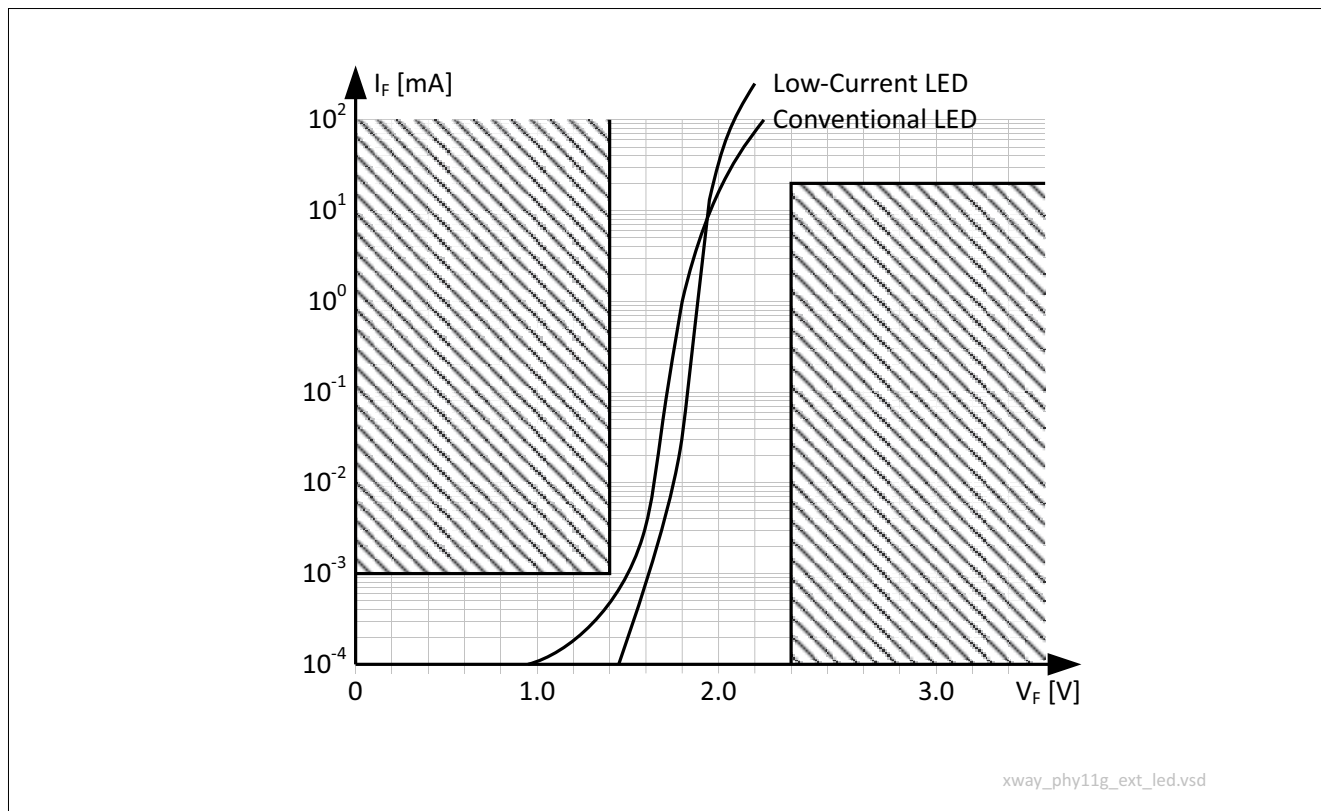


Figure 48 Tolerance Graph for the Forward Current Versus Voltage of the Supported LEDs

Note that LED devices also significantly contribute to the system power consumption. A conventional LED has an operating point of $V_F \approx 2.0\text{ V}$ and $I_F \approx 20.0\text{ mA}$. This results in a power consumption of 40 mW per LED. Three LEDs would consume up to 120 mW, which is already as high as 30% of the maximum power consumption of the entire GPY111 device. Using low-current LEDs would improve this figure to 12 mW, that is, only 3% of the device power consumption. [Figure 48](#) shows a tolerance graph with typical U-I characteristics of the supported LED types. The tolerance values referred to by this figure are listed in [Table 66](#).

Table 66 Electrical Characteristics for Supported LEDs

Parameter	Symbol	Values			Unit	Note / Test Condition
		Min.	Typ.	Max.		
Temperature range	T	-40.0	–	+85.0	°C	–
Forward current	I_F	–	–	1.0	µA	$V_F \leq 1.4\text{ V}$
Forward current (low-current LEDs) ¹⁾	I_F	–	2.0	–	mA	$1.4\text{ V} \leq V_F \leq 2.5\text{ V}$
Forward current (conventional LEDs)	I_F	–	20.0	–	mA	$1.4\text{ V} \leq V_F \leq 2.5\text{ V}$
Forward voltage (nominal)	V_F	1.6	1.9	2.2	V	Nominal forward voltage, where LED is emitting light

1) Low-current LEDs are preferred in order to reduce the system power consumption.

6.9.3 Transformer (Magnetics)

This section specifies the electrical characteristics of the transformer¹⁾ devices that are supported. The specifications listed here guarantee proper operation according to IEEE 802.3 [1]. A typical Gigabit Ethernet capable transformer device is depicted in Figure 49. Table 67 lists the characteristics of the supported transformer devices. Note that these characteristics represent the bare minimum for achieving standard performance. Since the transformer significantly impacts the link performance, it is possible to increase the loop reach by selecting transformers with improved parameters.

Note that the IC-side center taps of the transformer must not be connected and should be left open. In particular, transformer types which short all IC-side center taps together must not be used.

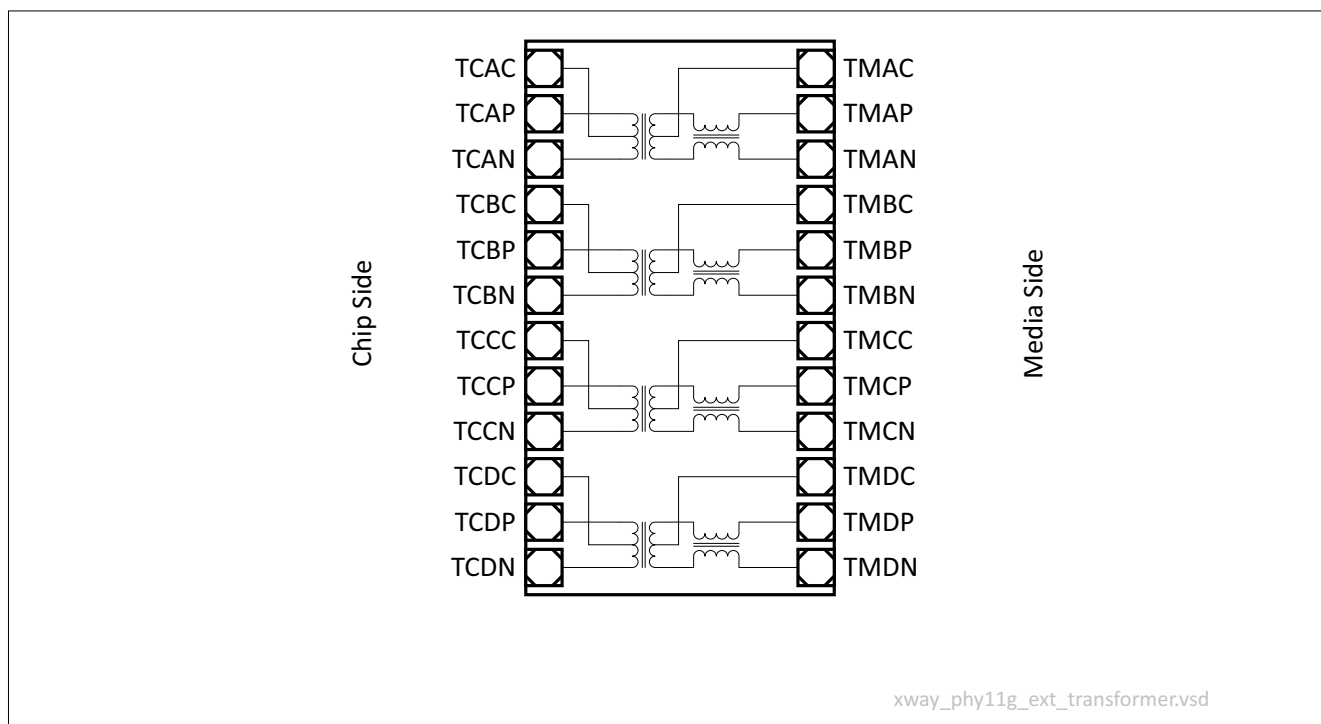


Figure 49 Schematic of a Typical Gigabit Ethernet Transformer Device

Table 67 Electrical Characteristics for Supported Transformers (Magnetics)

Parameter	Symbol	Values			Unit	Note / Test Condition
		Min.	Typ.	Max.		
Turns ratio	1:tr	0.95	1.00	1.05		±5%
Differential-to-common-mode rejection	DCMR	43	–	–	dB	30 MHz
		37	–	–	dB	60 MHz
		33	–	–	dB	100 MHz
Crosstalk attenuation	CTA	45	–	–	dB	30 MHz
		40	–	–	dB	60 MHz
		35	–	–	dB	100 MHz
Insertion loss	IL	–	–	1	dB	0.1 MHz ≤ f ≤ 100 MHz

1) Also often referred to as “magnetics”.

Electrical Characteristics

Table 67 Electrical Characteristics for Supported Transformers (Magnetics) (cont'd)

Parameter	Symbol	Values			Unit	Note / Test Condition
		Min.	Typ.	Max.		
Return loss	RL	18.0	–	–	dB	1 MHz ≤ f ≤ 30 MHz
		14.0	–	–		31 MHz ≤ f ≤ 40 MHz
		13.0	–	–		41 MHz ≤ f ≤ 50 MHz
		12.0	–	–		51 MHz ≤ f ≤ 80 MHz
		10.0	–	–		81 MHz ≤ f ≤ 100 MHz

6.9.4 RJ45 Plug

Table 68 describes the electrical characteristics of the RJ45 plug to be used in conjunction with the GPY111.

Table 68 Electrical Characteristics for Supported RJ45 Plugs

Parameter	Symbol	Values			Unit	Note / Test Condition
		Min.	Typ.	Max.		
Crosstalk attenuation	CTA	45	–	–	dB	30 MHz
		40	–	–		60 MHz
		35	–	–		100 MHz
Insertion loss	IL	–	–	1	dB	1 MHz ≤ f ≤ 100 MHz
Return loss	RL	25.0	–	–		1 MHz ≤ f ≤ 100 MHz

6.9.5 Twisted-Pair Common-Mode Rejection and Termination Circuitry

This section describes the external circuitry which is required to properly terminate the common mode of the Twisted-Pair Interface (TPI). Also, these external components are required to perform proper rejection of alien disturbers which are injected into the common mode of the TPI. **Figure 50** shows a typical external circuit, and in particular the common-mode components. **Table 69** defines the component values and their supported tolerances.

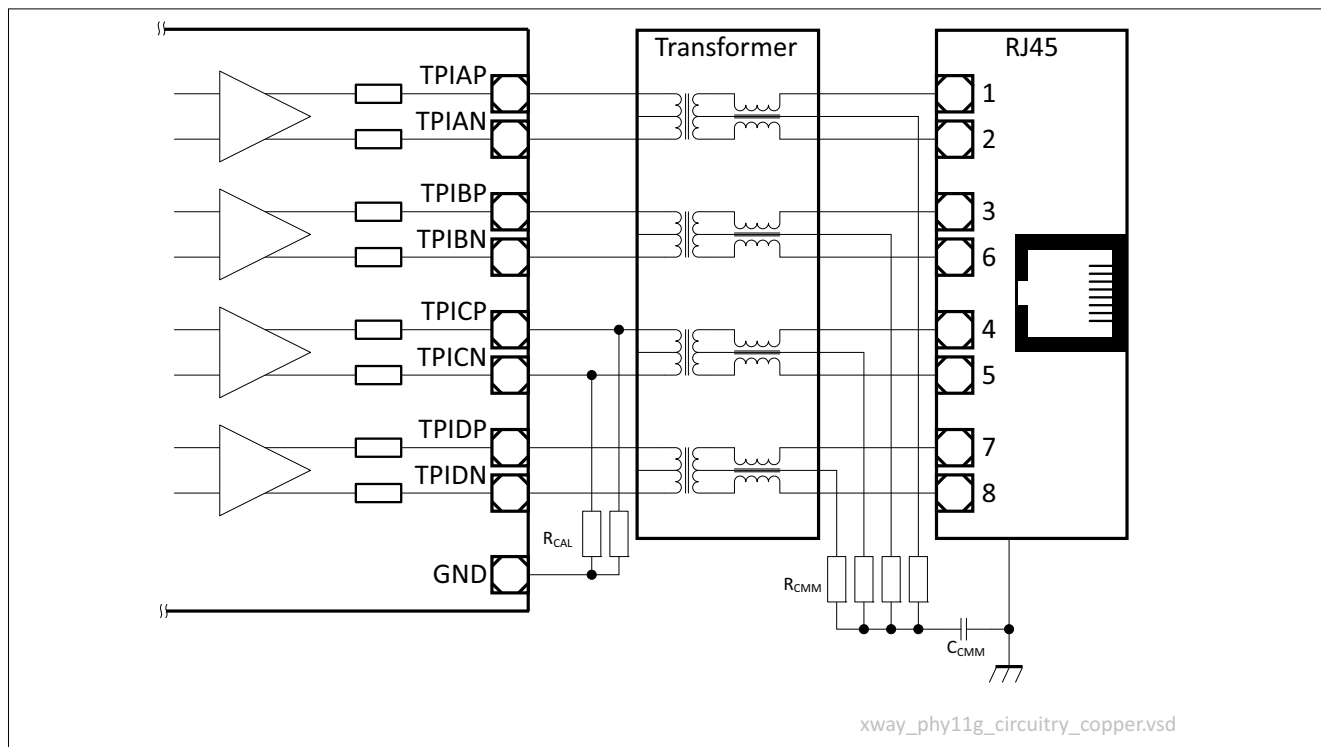


Figure 50 Twisted-Pair Common-Mode Rejection and Termination Circuitry

Table 69 Electrical Characteristics for supported Transformers (Magnetics)

Parameter	Symbol	Values			Unit	Note / Test Condition
		Min.	Typ.	Max.		
Common-mode de-coupling capacitance (media end)	C_{CMM}	800	1000	1200	pF	±20%, 2 kV
Common-mode termination resistance (media end)	R_{CMM}	80	75	70	Ω	±10%
Calibration resistor	R_{CAL}	15840	16000	16160	Ω	±1%

6.9.6 SGMII Interface

Figure 51 shows the external analog circuitry that may be used to properly set up an SGMII MAC-to-PHY connection. All optional circuitry is considered. Since the GPY111 fully implements CDR (Clock and Data Recovery) functionality, it is not required to connect the MAC source clock. However, it may be required to wire the PHY source clock, in case the MAC does not implement CDR. If the MAC supports CDR, the elements shaded in dark gray in the figure may be omitted. The GPY111 does not directly generate the defined common-mode offset voltage of 1.2 V, since this is not required for an AC-coupled interface. If a MAC requires this offset voltage for proper DC-coupled operation, this offset can be injected using the resistive dividers (R_1 and R_2) marked by the regions shaded in light gray in the figure. If the MAC is purely AC-coupled, these components can be omitted. Also the MAC may have properly terminated inputs, and therefore the termination resistors R_3 are not necessary. Component values for this type of circuit are defined in **Table 70**. The simplest circuitry is used when the GPY111 is connected to a MAC with CDR and AC-coupled, well-terminated differential pins. This configuration is shown in **Figure 52**.

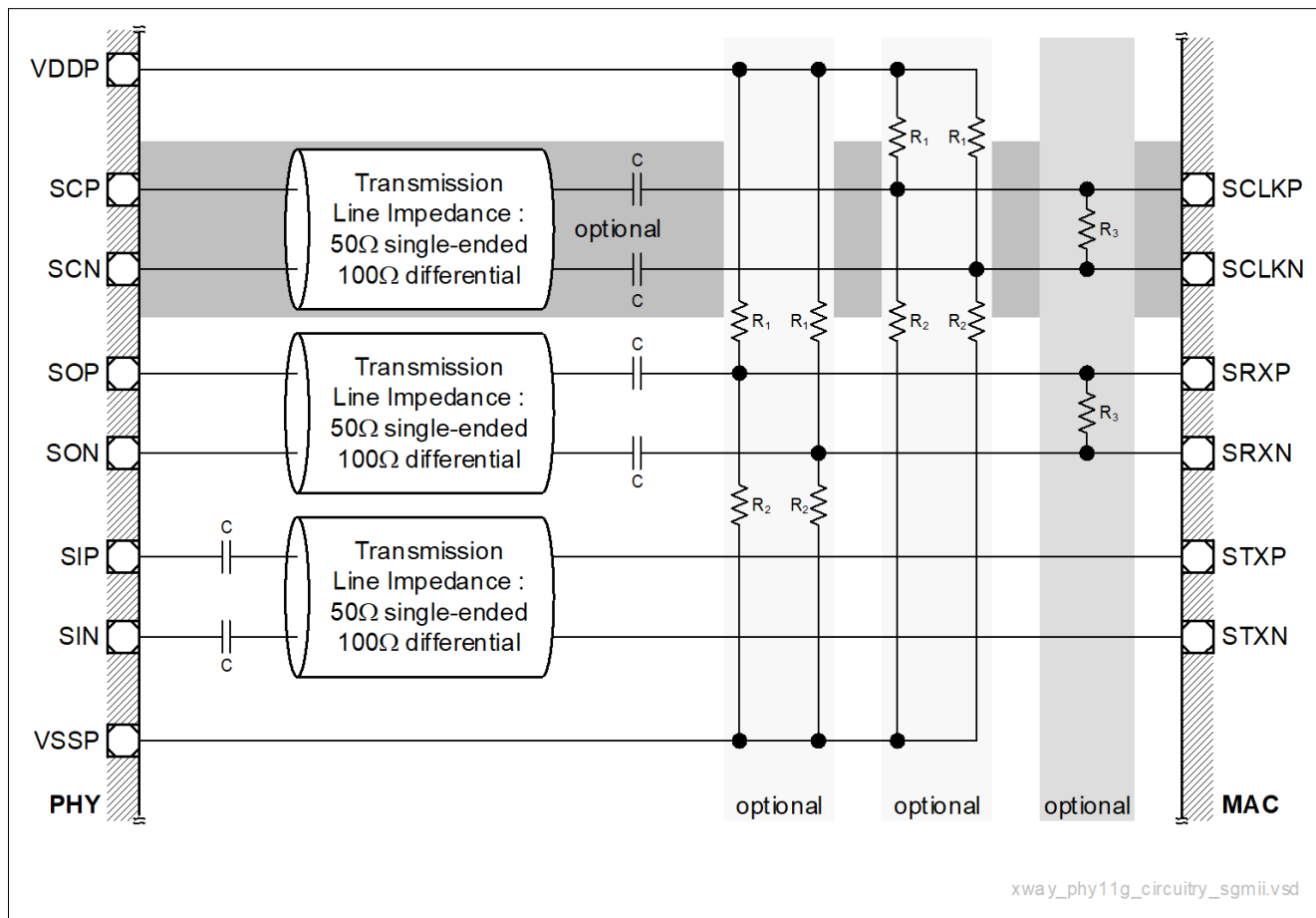


Figure 51 External Circuitry for SGMII

Table 70 Electrical Characteristics for the SGMII External Components

Parameter	Symbol	Values			Unit	Note / Test Condition
		Min.	Typ.	Max.		
BIAS resistance 1	R_1	-10%	1k	+10%	Ω	VDDP = 3.3 V
		-10%	1k	+10%	Ω	VDDP = 2.5 V

Table 70 Electrical Characteristics for the SGMII External Components (cont'd)

Parameter	Symbol	Values			Unit	Note / Test Condition
		Min.	Typ.	Max.		
BIAS resistance 2	R ₂	-10%	1.7k	+10%	Ω	VDDP = 3.3 V
		-10%	1.1k	+10%	Ω	VDDP = 2.5 V
Termination resistance	R ₃	-10%	100	+10%	Ω	
Coupling capacitance	C	-10%	100	+10%	nF	

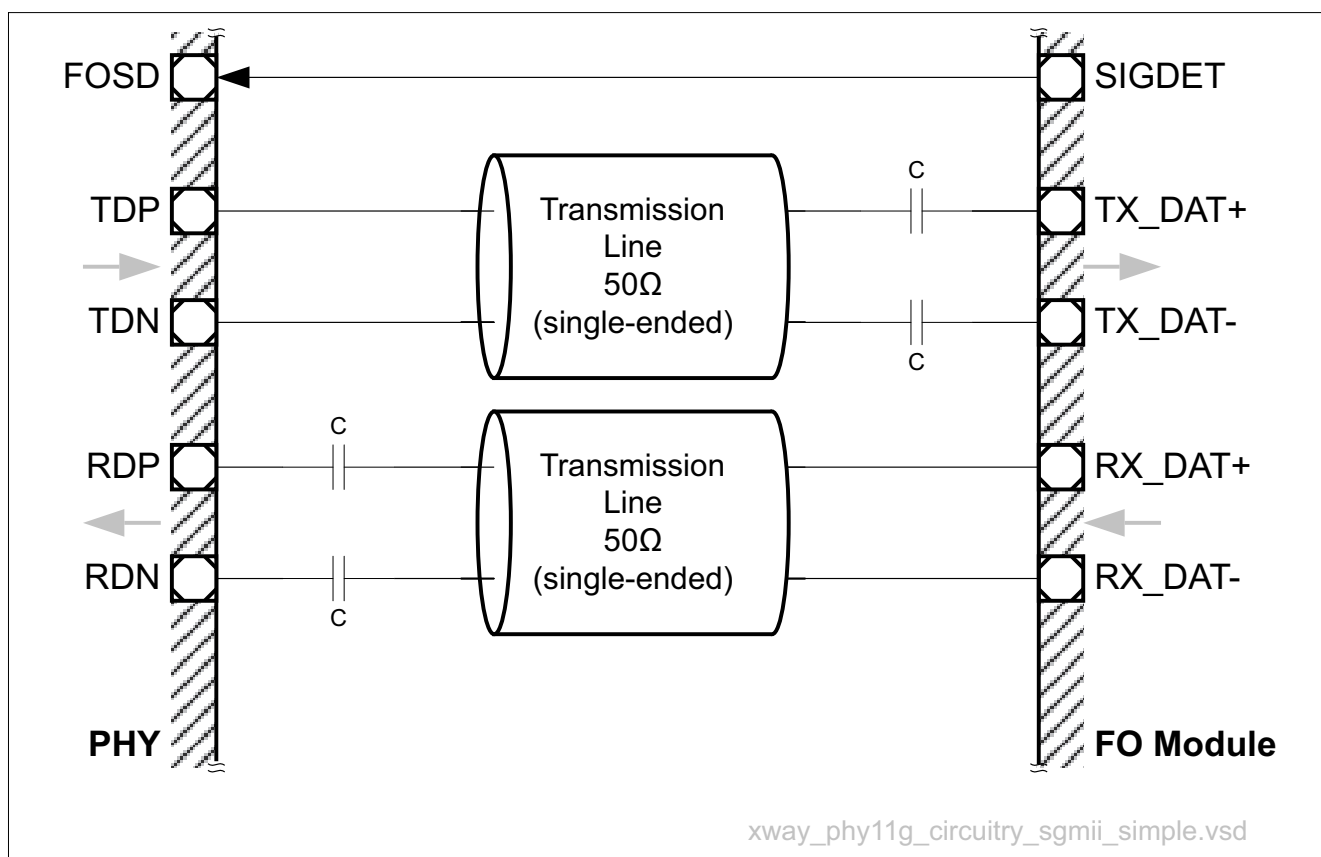


Figure 52 Simplified External Circuitry for SGMII

6.9.7 1000BASE-X Interface

Figure 53 depicts the external analog circuitry that may be used to properly set up a 1000BASE-X PHY-to-FO connection. There are FO modules available that already integrate all coupling circuitry components, in which case a straight connection is sufficient and the external coupling caps may be omitted. Component values for this type of circuit are defined in **Table 71**. Many FO modules have open-drain outputs, which can cause conflict with the weak pull-down nature of the SIGDET pin. In such cases, a pull-up resistor R_{pu} should be included to weakly pull the SIGDET signal to V_{DDP} in a high-impedance situation. This is shown in **Figure 53** by the area shaded in gray.

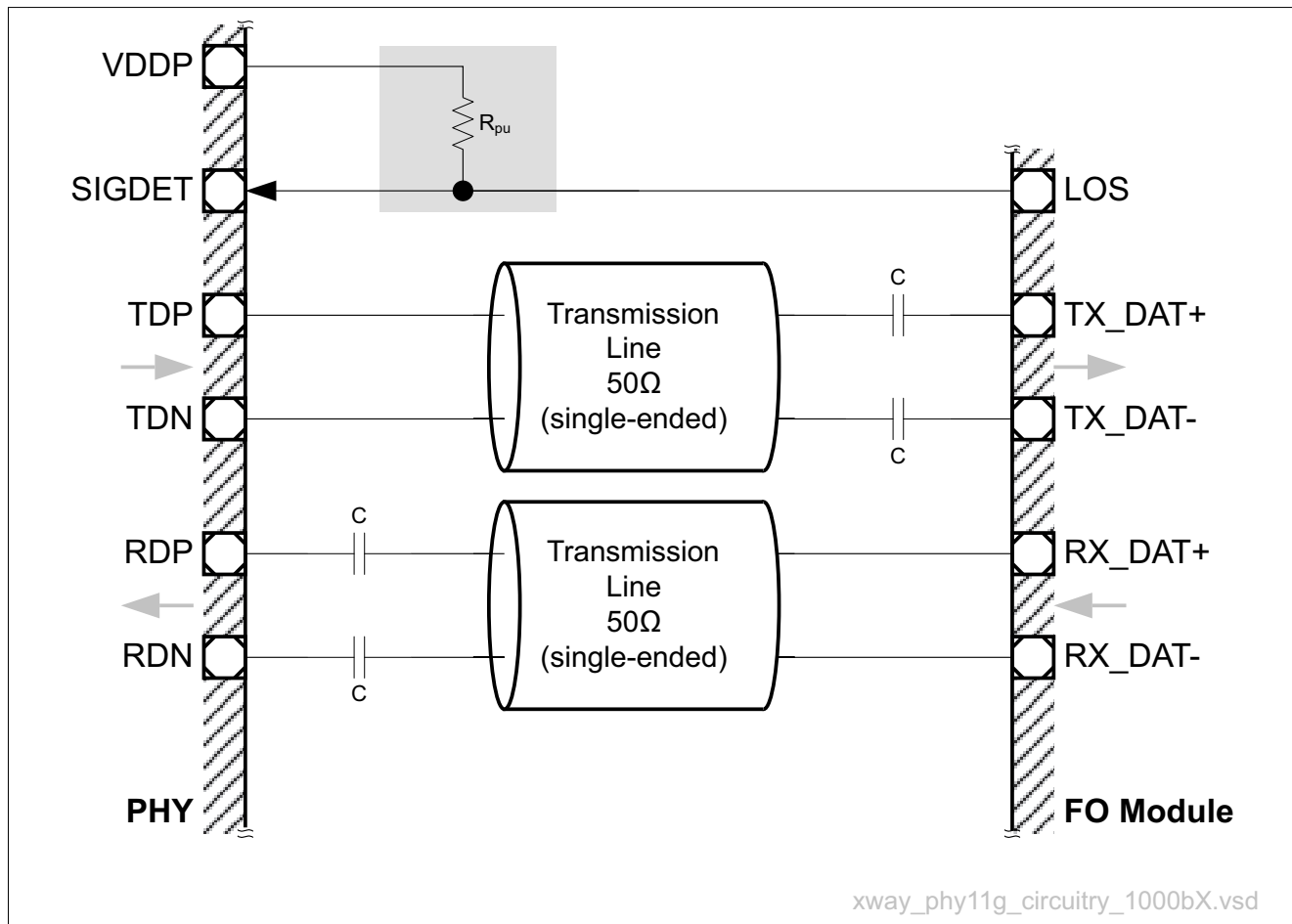


Figure 53 External Circuitry for a 1000BASE-X Interface

Table 71 Electrical Characteristics for the 1000BASE-X External Components

Parameter	Symbol	Values			Unit	Note / Test Condition
		Min.	Typ.	Max.		
Coupling capacitance	C	90	100	110	nF	±10%
Pull-up resistance	R_{pu}	1	–	–	kΩ	±10%

6.10 JTAG Interface Timing

The timing requirement for JTAG interface is shown in [Table 72](#) and the timing diagram illustrated in [Figure 54](#). The JTAG reset signal TRST is not listed since it is internally generated by the DCDC converter.

Table 72 JTAG Interface Timing

Parameter	Symbol	Values			Unit	Note / Test Condition
		Min.	Typ.	Max.		
TCK clock period	t_{TCK}	100	–	–	ns	–
TCK clock duty cycle	t_{TCKr}/t_{TCK}	40	–	60	%	–
TCK clock rise time	t_{TCKr}	–	–	5	ns	–
TCK clock fall time	t_{TCKf}	–	–	5	ns	–
TMS setup time from TCK	t_{TMSs}	10	–	–	ns	–
TMS hold time from TCK	t_{TMSh}	15	–	–	ns	–
TDO delay time from TCK	t_{TDOd}	–	–	30	ns	–
TDI setup time from TCK	t_{TDIs}	10	–	–	ns	–
TDI hold time from TCK	t_{TDIh}	15	–	–	ns	–

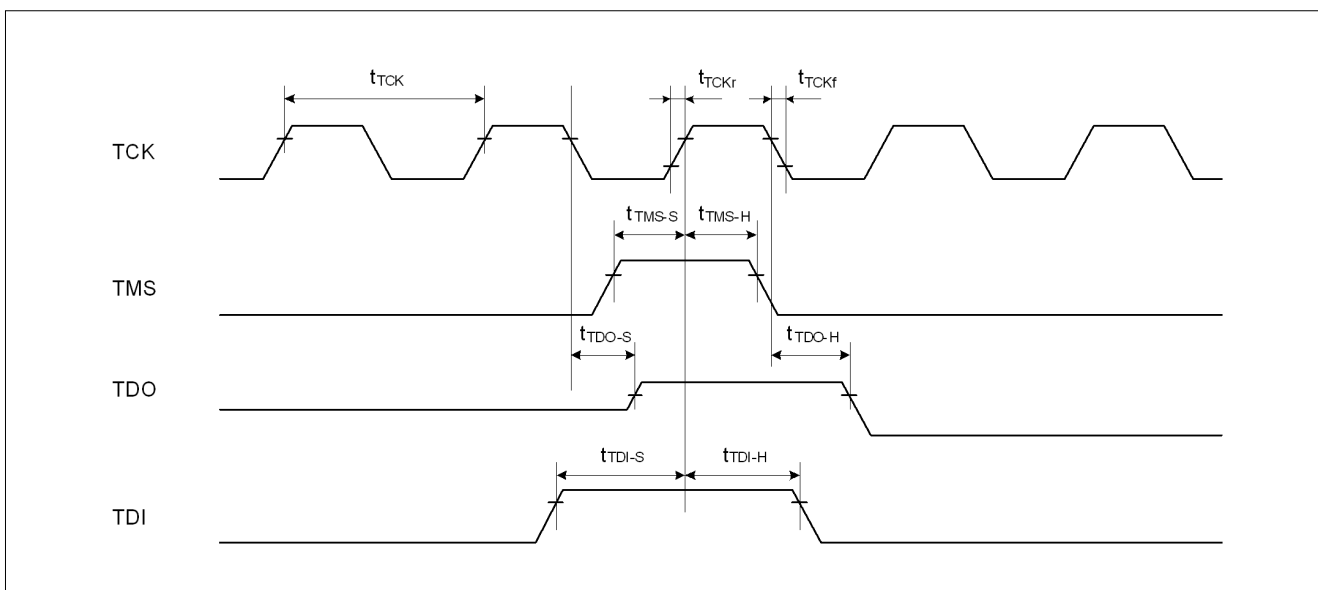


Figure 54 JTAG Timing Definition

7 Package

This section outlines all relevant packaging information.

7.1 Package Outline

The GPY111 device is available in a 48-pin Very Thin Quad Flat Non-leaded (VQFN) package with an exposed pad (EPAD). The pad pitch is 0.5 mm and the size of the EPAD is 5.2 x 5.2 mm. The EPAD is used as the common ground and must be connected to the PCB ground plane. The package is a lead-free “green package”, and its exact name for purposes of reference is PG-VQFN-48.

Figure 55 contains the top, side and bottom dimension drawings of the PG-VQFN-48 package.

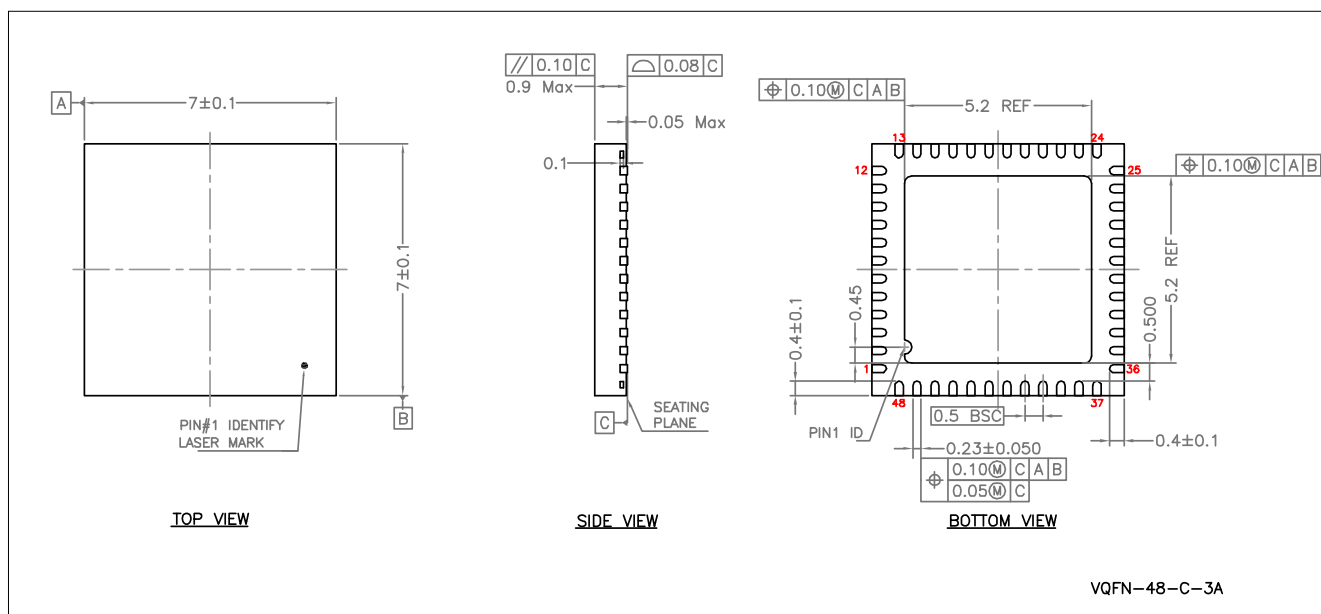


Figure 55 Package Outline Drawing of the PG-VQFN-48 Package

Package description, package handling, PCB and board assembly information is available on request.

7.2 Chip Identification and Ordering Information

Figure 56 shows an example of the marking pattern on the device. The actual chip marking may differ slightly from the illustration.



Figure 56 Chip Marking of GPY111

Table 73 explains the chip marking information and **Table 74** provides product and package naming.

Table 73 Chip Marking Pattern

Marking	Description
Text Line 1	MaxLinear logo
Text Line 2	Spec. Number - see Table 74 .
Text Line 3	Wafer Lot Number
Text Line 4	Date Code (YYWW) and Assembly Site Code (S)

Table 74 Chip Ordering Information

Product Name	Ordering Code	MMID	S-SPEC#	Package
GPY111	PEF7071VV16	947046	SLLHU	PG-VQFN-48

7.3 Thermal Resistance

The thermal resistance values given below were determined in accordance with JEDEC specifications.

They are valid for an ambient temperature $T_A = 85^\circ\text{C}$ and a maximum device power dissipation of 400 mW (see [Chapter 6.7](#)). Sustained operation of the device with the internal junction temperature above 125°C will reduce the lifetime of the device and/or cause device failure.

Table 75 Thermal Resistance of the PG-VQFN-48 Package

Parameter	Symbol	Values			Unit	Note / Test Condition
		Min.	Typ.	Max.		
Junction to ambient	$R_{th, JA}$	–	42.2	–	K/W	2s2p + vias 2s2p 1s0p Free convection and radiation
		–	65.5	–		
		–	129.8	–		
Junction to top of package	Ψ_{JT}	–	8.8	–	K/W	2s2p + vias 2s2p 1s0p
		–	9.1	–		
		–	10.0	–		
Junction to case (bottom)	$R_{th, JCbot}$	–	14.39	–	K/W	2s2p + vias Diepad bottom fixed to T_A
Junction to case (top)	$R_{th, JCTop}$	–	33.55	–	K/W	2s2p + vias Package top fixed to T_A

References

- [1] IEEE 802.3-2008: "Carrier sense multiple access with collision detection (CSMA/CD) access method and physical layer specifications", IEEE Computer Society, December 2008
- [2] IEEE 802.3az, Amendment 5: "Media Access Control Parameters, Physical Layers, and Management Parameters for Energy-Efficient Ethernet", September 2010
- [3] IEEE 802.3at, Amendment 3: "Data Terminal Equipment (DTE) Power via the Media Dependent Interface (MDI) Enhancements", October 2009
- [4] ANSI X3.263-1995: "Fiber Distributed Data Interface (FDDI) - Token Ring Twisted Pair Physical Layer Medium Dependent (TP-PMD)", ANSI, 1995
- [5] ANSI TIA/EIA-568-A:1995
- [6] ISO/IEC 11801:1995
- [7] IEC 60950:1991 (General Safety)
- [8] IEEE Std 1149.1-2001: "IEEE Standard Test Access Port and Boundary-Scan Architecture", IEEE/ANSI, 2001
- [9] Hewlett Packard, "Reduced Gigabit Media Independent Interface (RGMI)", Version 1.3, 12.10.2000
- [10] Hewlett Packard, "Reduced Gigabit Media Independent Interface (RGMI)", Version 2.0, 04.01.2002
- [11] RMII Consortium, "RMII-Specification", Rev 1.2, 1997
- [12] SFF Committee, "SFF-8053 Specification for GBIC (Gigabit Interface Converter)", Rev 5.5, September 27, 2000
- [13] CISCO Systems, "Serial GMII - Specification", July 2001, Rev. 1.7
- [14] AMD, White Paper on "Magic Packet Technology", White Paper, (c) 1998, Advance Micro Devices
- [15] Universal Gateway Software 6.1 Power Saving Method Application Note Rev. 1.0

Terminology

A

ADS	Auto-Downspeed
ANEG	Auto-Negotiation
ANSI	American National Standards Institute

B

BER	Bit Error Rate
BW	Bandwidth

C

CAT5	Category 5 Cabling
CCR	Configuration Content Record
CDR	Clock and Data Recovery
CRC	Cyclic Redundancy Check
CSR	Configuration Signature Record
CRS	Carrier Sense

D

DEC	Digital Echo Canceler
-----	-----------------------

E

ECM	Externally Controlled Mode (LED)
EEE	Energy-Efficient Ethernet
EEPROM	Electrically Erasable Programmable ROM
EMI	Electro-Magnetic Interference
ESD	Electro-Static Discharge

F

FO	Fiber-Optic
----	-------------

G

GbE	Gigabit Ethernet
GBIC	Gigabit Interface Converter
GMII	Gigabit Media-Independent Interface
GPIO	General Purpose Input/Output

H

HBM	Human Body Model
HSTL	High-Speed Transceiver Logic
HYB	Hybrid

I

I ² C	Internally Integrated Circuit Interface (also I2C)
IC	Integrated Circuit
ICM	Internally Controlled Mode (LED)
IEEE	Institute of Electrical and Electronics Engineers

IPG	Inter-Packet Gap
J	
JTAG	Joined Test Action Group
L	
LAN	Local Area Network
LED	Light Emitting Diode
LPI	Low Power Idle
LSB	Least Significant Bit
M	
MAC	Media Access Controller
MDI	Media-Dependent Interface
MDIO	Management Data Input/Output
MDIX	Media-Dependent Interface Crossover
MII	Media-Independent Interface
MMD	MDIO Manageable Device
MoCA	Multimedia over Coax Alliance
MSB	Most Significant Bit
N	
NAS	Network Attached Storage
NP	Next Page
O	
OSI	Open Systems Interconnection
OUI	Organizationally Unique Identifier
P	
PCB	Printed Circuit Board
PCS	Physical Coding Sublayer
PD	Powered Device
PHY	Physical Layer (device)
PICMG	PCI Industrial Computer Manufacturers Group
PLL	Phase-Locked Loop
PMA	Physical Media Attachment
PON	Passive Optical Network
PSE	Power-Sourcing Equipment
R	
RGMII	Reduced (pin-count) Gigabit Media-Independent Interface
RMII	Reduced (pin-count) Media-Independent Interface
RX	Receive
S	
SFP	Small Form-Factor Pluggable
SGMII	Serial Gigabit Media-Independent Interface

SMD	Surface-Mounted Device
SoC	System on Chip
T	
TAP	Test Access Port
TPG	Test-Packet Generator
TPI	Twisted-Pair Interface
TX	Transmit
V	
VQFN	Very Thin Quad Flat Non-leaded
W	
Wi-Fi	Wireless Local Area Network
WoL	Wake-on-LAN
X	
xMII	Symbolic shortening which denotes the set of supported MII Interfaces, e.g. RGMII and SGMII