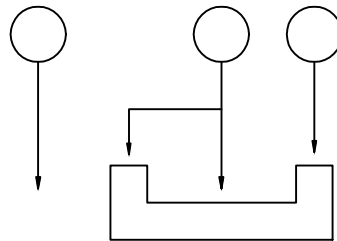
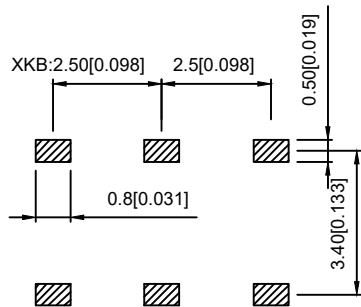



NOTE:
 Rating: DC 12V 50mA
 Operating Force: 200±100gf
 Lifetime: 10,000 Cycles

PAPT NO	L
SK-3245D-02-L1	2.0
SK-3245D-02-L2	2.5
SK-3245D-02-L3	3.0
SK-3245D-02-L4	4.0



5	Terminal	—	6	Brass (0.30t)	ag Plated
4	Contact spring	—	1	Phosphor branze	ag Plated
3	Base	—	1	Pa46	Black
2	Cover	—	1	Sus	Natural
1	Keystake	—	1	Pa46	Black
ITEM	PAPT NAME	TER,NO	QTY	MATERIAL	FINISHING

—		new		2015/5/3	A	
ECN BO.		DESCRIPTION.		DATE.	REV.	
DESIGNED	CHECKED	APPROVAL	DRAWING NUMBER	SCALT: 1/2		SCALE: 3:1
Mikey	Tom	Jerry	PART NAME	SK-3245D-02-L4	UNLESS OTHERWISE SPECIFIED, TOLERANCE:	X. ±0.25
			MODEL NAME	SK-3245D-02-L4		X.x ±0.20
			3RD ANGLE PROJ	HANYONES TECH CO.,LTD		X.xx ±0.15
					ANGULAR	±3'
					FILE. NO.	