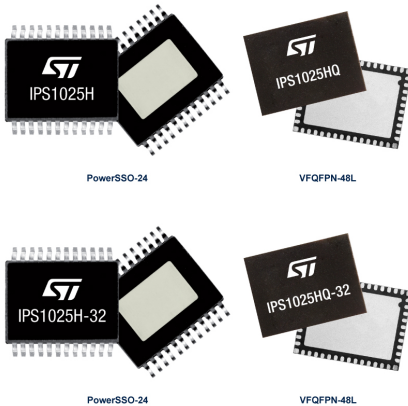


High efficiency, high-side switch with extended diagnostics and smart driving for capacitive loads



Features

- 8 V to 60 V operating supply voltage range
- Operating output current: 2.4 A (IPS1025H/HQ) or 5.6 A (IPS1025H-32/HQ-32)
- Smart driving of capacitive load
- Fast demagnetization of inductive loads
- Under-voltage lock-out
- V_{CC} over-voltage protection
- Output overload and over-temperature protections
- Case over-temperature protection
- Ground disconnection protection
- Overload event diagnostic pin
- Over-temperature event diagnostic pin
- Designed to meet IEC 61000-4-2, IEC 61000-4-4, IEC 61000-4-5
- Packages: PowerSSO-24 and VFQFPN-48L 8x6x0.9 mm

Applications

- Programmable logic control
- Vending machines
- Industrial PC peripheral input/output
- Numerical control machines
- General high-side switch applications

Description

The IPS1025H/HQ and IPS1025H-32/HQ-32 are single high-side switch ICs able to drive capacitive, resistive or inductive loads with one side connected to ground.

The very low R_{DS-ON} ($\leq 25 \text{ m}\Omega$ up to $T_J = 125 \text{ }^\circ\text{C}$) makes the IC suitable for the applications with up to 2.4 A (IPS1025H/HQ) or 5.6 A (IPS1025H-32/HQ-32) steady state operating current.

The output channel is protected against junction over-temperature events by a junction temperature sensor, and a further temperature sensor is included to monitor case temperature, so the overheated output channel can only be turned back ON when the case temperature returns below the reset temperature.

The embedded overload protection circuit monitors the output current and, on triggering of the activation threshold (I_{PK}), starts modulating the impedance of the output switch to limit the output current to I_{LIM} , for both IC and load protection.

The IC offers two different sets of activation threshold and limitation levels (I_{PKH} , I_{LIMH} and I_{PKL} , I_{LIML}) for smart driving of capacitive loads (such as bulb lamps) and loads with initial peak current requirements.

The IC diagnostics is based on FLT_1 and FLT_2 pins (both current source); activated by respective overload or overtemperature events on the output channel.



Product status link

[IPS1025H](#)

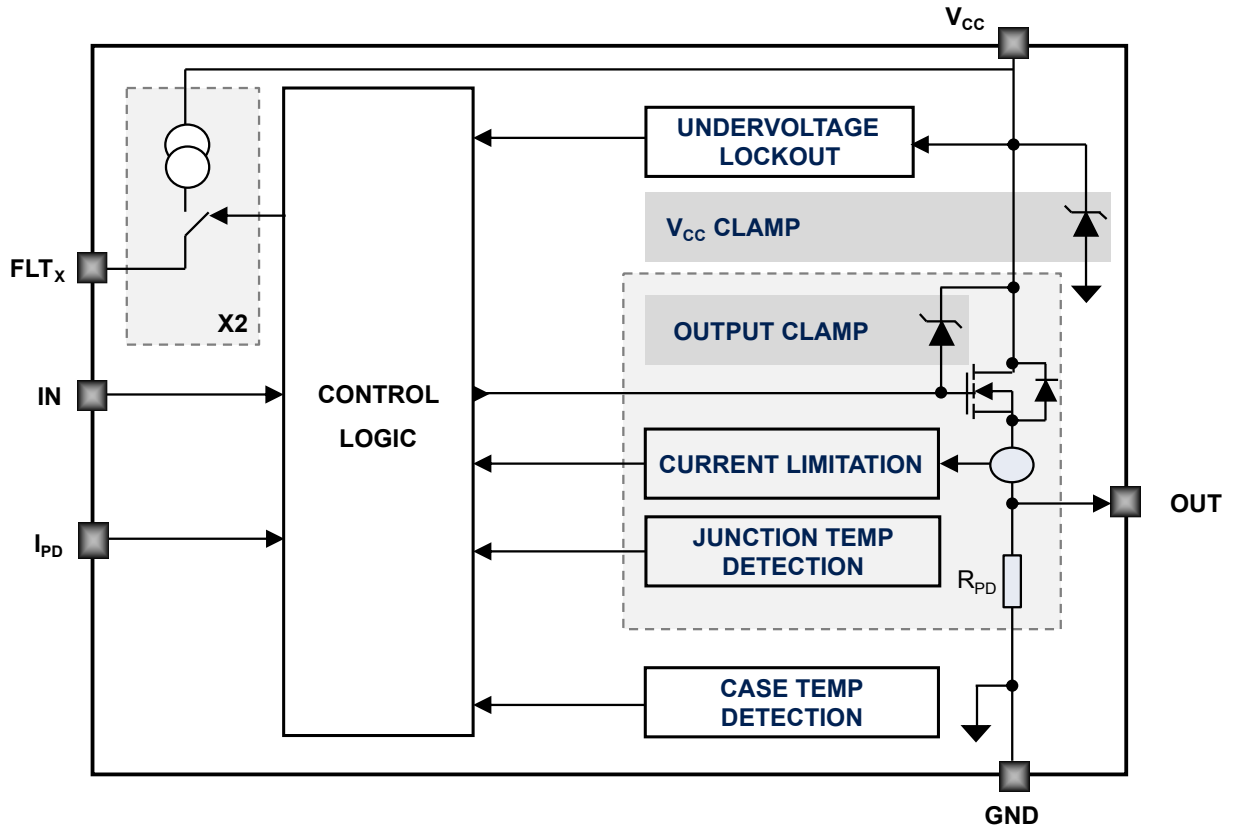
[IPS1025H-32](#)

Product label

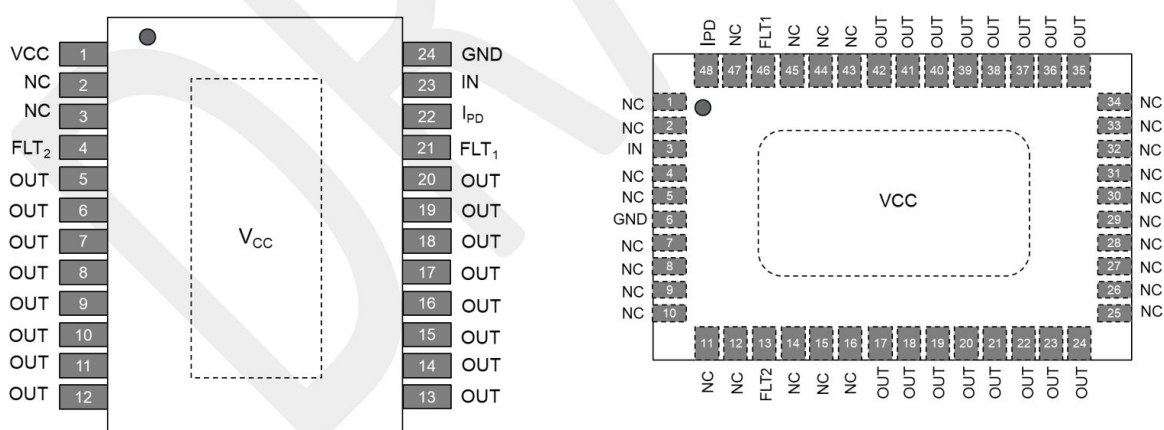


1 Block diagram

Figure 1. IPS1025H/HQ, IPS1025H-32/HQ-32 block diagram



2 Pin connection

Figure 2. Pin connections (top through view)

Table 1. Pin descriptions

Pin no.		Name	Description
PSSO24	VFQFPN-48L		
1, exposed pad	exposed pad	VCC	Supply voltage
2,3	1,2,4,5,7,8,9,10,11,12,14,16,25,26,27,28,29,30,31,32,33,34,43,45,47	NC	Internally not connected. If necessary, these pins can be routed in the application
4	13	FLT2	Overload event diagnostic pin. Can't be left floating: if not used, connect to GND by 1.5 kΩ resistor.
5 to 20	17 to 24, 35 to 42	OUT	Power stage output channel. Short these pins on the same net of the application board
21	46	FLT1	Over-temperature event diagnostic pin. Can't be left floating: if not used, connect to GND by 1.5 kΩ resistor.
22	48	IPD	Initial current duration / level selector. Connect to GND by a capacitor to set duration of I_{PKH} (see Section 7.3 and Table 9 / Table 10). Connect to IN pin by a 220 kΩ resistor to disable initial I_{PKH} threshold (the over-current limit is only I_{PKL}). Connect to GND by a 10 kΩ resistor to disable I_{PKL} (the over-current threshold is only I_{PKH}). <i>Note: Leaving I_{PD} floating is equivalent to a 1 μs duration for I_{PKH}.</i>
23	3	IN	Input
24	6	GND	Device ground

3 Absolute maximum ratings

Absolute maximum ratings are the values beyond which damage to the device may occur. Functional operation under these conditions is not implied. All voltages are referenced to GND.

Table 2. Absolute maximum ratings

Symbol	Parameter	Value	Unit
V_{CC}	Supply Voltage	-0.3 to 65	V
I_{CC}	Maximum DC reverse current (from GND to V_{CC})	-250	mA
I_{OUT}	Output stage current	Internally limited	A
$-I_{OUT}$	Reverse current (from OUT to V_{CC})	5	A
V_{IN}	IN pin voltage	-0.3 to V_{CC}	V
I_{IN}	IN pin current	-10/+10	mA
V_{PD}	I_{PD} pin voltage	-0.3 to 5.5	V
I_{PD}	I_{PD} pin current	-1/+10	mA
V_{FAULT}	FLT pins voltage	-0.3 to 5.5	V
I_{FAULT}	FLT pins current	-1 ⁽¹⁾ /+10	mA
E_{AS}	Single pulse avalanche energy ($T_{AMB} = 125\text{ °C}$, $V_{CC} = 24\text{ V}$, $I_{OUT} = 2\text{ A}$)	14 ⁽²⁾	J
		5.8 ⁽³⁾	J
P_{TOT}	Power Dissipation at $T_C = 25\text{ °C}$	Internally limited	W
T_{STG}	Storage Temperature Range	-55 to 150	°C
T_J	Junction Operating Temperature	Internally limited	°C
T_C	Case Operating Temperature	-40 to 150	°C

1. intended as worst case when IC is in normal operation (no fault)
2. IPS1025H / IPS1025H-32
3. IPS1025HQ / IPS1025HQ-32

4 Thermal data

Table 3. Thermal data

Symbol	Parameter	PSSO24	VFQFPN-48L	Unit
$R_{th(JC)}$ ⁽¹⁾	Thermal resistance junction-case	0.7	1	°C/W
$R_{th(JA)}$ ⁽²⁾	Thermal resistance junction-ambient	22	26	°C/W

1. R_{th} between the die and the bottom case surface measured by cold plate as per JESD51.

2. JESD51-7.

5 Electrical characteristics

(8 V < V_{CC} < 60 V; -40 °C < T_J < 125 °C, unless otherwise specified)

Table 4. Supply

Symbol	Parameter	Test Conditions	Min.	Typ.	Max.	Unit
V _{UVON}	Under-voltage ON threshold	-	6.9	-	8	V
V _{UVOFF}	Under-voltage OFF threshold	-	6.5	-	7.8	V
V _{UVH}	Under-voltage hysteresis	-	0.15	0.5	-	V
I _{SOFF}	Supply current in OFF state	V _{CC} = 24 V, I _{IN} = GND, OUT = open load;	0.28	-	0.64	mA
		V _{CC} = 36 V, I _{IN} = GND, OUT = open load;	0.28	-	0.64	mA
		V _{CC} = 60 V, I _{IN} = GND, OUT = open load;	0.29	-	0.685	mA
I _{SON}	Supply current in ON state	V _{CC} = 24 V, I _{IN} = 5 V, OUT = open load;	1.05	-	2.25	mA
		V _{CC} = 36 V, I _{IN} = 5 V, OUT = open load;	1.15	-	2.35	mA
		V _{CC} = 60 V, I _{IN} = 5 V, OUT = open load;	1.35	-	2.55	mA

Table 5. Output stage

Symbol	Parameter	Test Conditions	Min.	Typ.	Max.	Unit
R _{DS(ON)}	On-state resistance	V _{CC} = 24 V, R _{LOAD} = 12 Ω, @ T _J = 25 °C	-	12	15	mΩ
		V _{CC} = 24 V, R _{LOAD} = 12 Ω, @ T _J = 125 °C	-	-	25	mΩ
V _{OUT(OFF)}	OFF state output voltage	V _{IN} = 0 V and I _{OUT} = 0 A	-	-	2	V
I _{OUT(OFF)}	OFF state output current	V _{IN} = 0 V, V _{OUT} = 0 V	-	-	10	μA

Table 6. Switching

(V_{CC} = 24 V; -40 °C < T_J < 125 °C, R_{LOAD} = 12 Ω, input rise time < 0.1 μs)

Symbol	Parameter	Test Conditions	Min.	Typ.	Max.	Unit
t _r	Rise time		-	30	60	μs
t _f	Fall time		-	25	60	μs
t _{PD(L-H)}	Propagation delay time IN to OUT, low to high		-	13	25	μs
t _{PD(H-L)}	Propagation delay time IN to OUT, high to low		-	60	100	μs
td(V _{con})	Propagation delay time IN to OUT at power-on	V _{IN} = V _{CC} and rising from 0 to 24 V	150	500	1600	μs

Figure 3. Timing

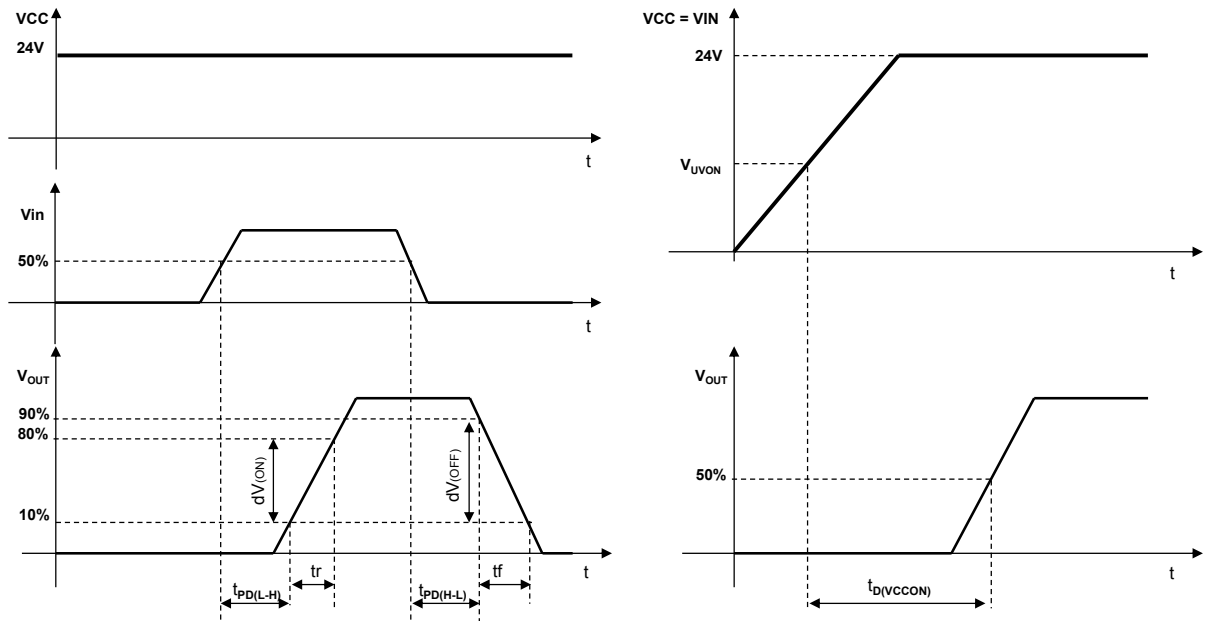


Table 7. Input pin (IN)

Symbol	Parameter	Test Condition	Min.	Typ.	Max.	Unit
V_{IL}	Input pin low level voltage	-	-	-	0.8	V
V_{IH}	Input pin high level voltage	-	2.2	-	-	V
$V_{I(HYST)}$	Input pin hysteresis voltage	-	-	0.4	-	V
I_{IN}	Input pin current	$V_{IN} = V_{CC} = 36\text{ V}$	-	-	200	μA
		$V_{IN} = V_{CC} = 60\text{ V}$	-	-	600	

Table 8. Diagnostic pins (FLT₁, FLT₂)

Symbol	Parameter	Test Condition	Min.	Typ.	Max.	Unit
I_{HFLT}	Diagnostic pins source current in fault condition	$V_{FLT} = 1\text{ V}$ (fault condition active)	-2.0	-	-4.0	mA
		$V_{FLT} = 5\text{ V}$ (fault condition active)	-0.4	-0.7	-1.0	mA
I_{LFLT}	Diagnostic pins leakage current	Normal operation $V_{CC} = 60\text{ V}$	0	-	-25	μA
BT_{FLT}	Diagnostic pins blanking time	@ $T_J = 25\text{ }^\circ\text{C}$	200	-	470	μs
		-	60	-	550	μs
V_{CLFLT}	Diagnostic pins clamp voltage	$I_{FLT} = +1\text{ mA}$	6	6.8	8	V
		$I_{FLT} = -1\text{ mA}$	-	-	0.7	

Table 9. IPS1025H/HQ Overload protections

Symbol	Parameter	Test Condition	Min.	Typ.	Max.	Unit
Overload with Dual Threshold Protection: I_{PD} pin to GND by C_{PD} (470 pF ≤ C_{PD} ≤ 470 nF); see Section 7.3.1						
I _{PKH}	Initial over-current activation threshold	V _{CC} = 24 V	-	15.4	-	A
I _{LIMH}	Initial over-current limitation level		6.25	9.0	11.75	A
D _{PK}	Time limit of Initial over-current		-	215*C _{PD} [nF]	-	μs
I _{PKL}	Steady state over-current activation threshold		-	8.0	-	A
I _{LIML}	Steady state over-current limitation level		2.5	3.5	4.5	A
I _{HYS}	Steady state output Current limitation hysteresis		-	0.3	-	A
I _{LIML-OFF}	Steady state over-current limitation deactivation threshold		-	I _{LIML} - I _{HYS}	-	A
Overload with Single Level (Lowest) Protection: I_{PD} pin connected to IN by 10 kΩ resistor; see Section 7.3.2						
I _{PKL}	Steady state over-current activation threshold	V _{CC} = 24 V	-	8.0	-	A
I _{LIML}	Steady state over-current limitation level		2.5	3.5	4.5	A
I _{HYS}	Steady state output Current limitation hysteresis		-	0.3	-	A
I _{LIML-OFF}	Steady state over-current limitation deactivation threshold		-	I _{LIML} - I _{HYS}	-	A
Overload with Single Level (Highest) Protection: I_{PD} pin connected to GND by 10 kΩ resistor; see Section 7.3.3						
I _{PKH}	Initial over-current activation threshold	V _{CC} = 24 V	-	15.4	-	A
I _{LIMH}	Initial over-current limitation level		6.25	9.0	11.75	A

Table 10. IPS1025H-32/HQ-32 Overload protections

Symbol	Parameter	Test Condition	Min.	Typ.	Max.	Unit
Overload with Dual Threshold Protection: I_{PD} pin to GND by C_{PD} (470 pF ≤ C_{PD} ≤ 470 nF); see Section 7.3.1						
I _{PKH}	Initial over-current activation threshold	V _{CC} = 24 V	-	25.1	-	A
I _{LIMH}	Initial over-current limitation level		12.5	17.9	23.2	A
D _{PK}	Time limit of Initial over-current		-	215*C _{PD} [nF]	-	μs
I _{PKL}	Steady state over-current activation threshold		-	13.1	-	A
I _{LIML}	Steady state over-current limitation level		5.7	8.0	10.4	A
I _{HYS}	Steady state output Current limitation hysteresis		-	0.3	-	A
I _{LIML-OFF}	Steady state over-current limitation deactivation threshold		-	I _{LIML} - I _{HYS}	-	A
Overload with Single Level (Lowest) Protection: I_{PD} pin connected to IN by 10 kΩ resistor; see Section 7.3.2						
I _{PKL}	Steady state over-current activation threshold	V _{CC} = 24 V	-	13.1	-	A
I _{LIML}	Steady state over-current limitation level		5.7	8.0	10.4	A
I _{HYS}	Steady state output Current limitation hysteresis		-	0.3	-	A
I _{LIML-OFF}	Steady state over-current limitation deactivation threshold		-	I _{LIML} - I _{HYS}	-	A
Overload with Single Level (Highest) Protection: I_{PD} pin connected to GND by 10 kΩ resistor; see Section 7.3.3						
I _{PKH}	Initial over-current activation threshold	V _{CC} = 24 V	-	25.1	-	A
I _{LIMH}	Initial over-current limitation level		12.5	17.9	23.2	A

Figure 4. High (left) and Low (right) I_{LOAD} control activation thresholds (I_{PK}) and limitation levels (I_{LIM})

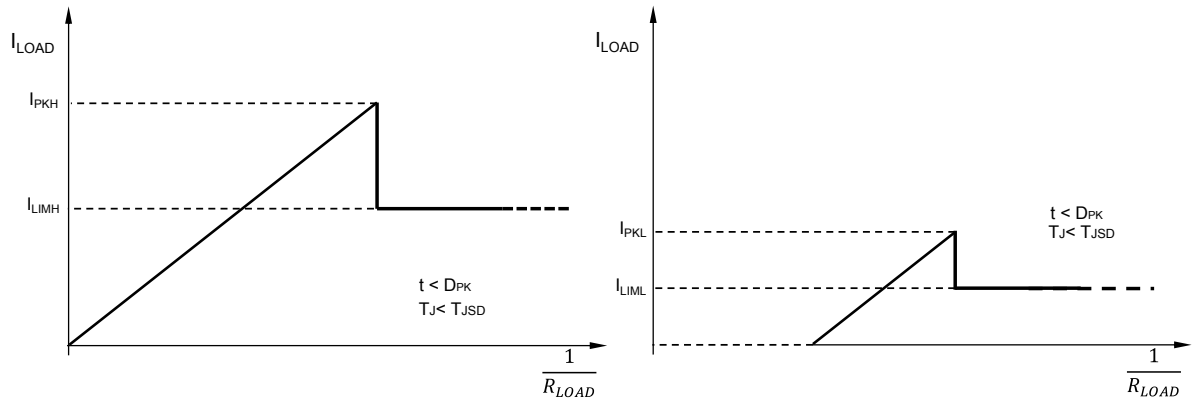


Table 11. Other protections

Symbol	Parameter	Test Condition	Min.	Typ.	Max.	Unit
Over-temperature protections						
T_{JSD}	Junction temperature shutdown	-	150	170	190	°C
T_{JR}	Junction temperature reset	-	-	150	-	°C
T_{JHYS}	Junction temperature hysteresis	-	-	20	-	°C
T_{CSD}	Case temperature shutdown	-	-	130	-	°C
T_{CR}	Case temperature reset	-	-	110	-	°C
T_{CHYS}	Case temperature hysteresis	-	-	20	-	°C
Ground disconnection/Wire break						
I_{LGND}	GND disconnection output current	$V_{INX} = V_{CC} = 24\text{ V}$, $V_{OUT} = 0\text{ V}$	-	-	0.5	mA
V_{CC} over-voltage						
V_{CLAMP}	V _{CC} Clamp Voltage	$I_{CC} \leq 10\text{ mA}$	65.5	70.0	73.5	V
Demagnetization of inductive load						
V_{DEMAG}	Demagnetization Voltage	$I_{OUT} = 0.5\text{ A}$, Load $\geq 10\text{ mH}$	V _{CC} -76	V _{CC} -72.5	V _{CC} -68	V

6 Output Logic

Table 12. Output stage truth table

(L = pin voltage Low, H = pin voltage High, X = not determined)

Condition	IN	OUT	FLT1	FLT2
Normal Operation	L H	L H	L L	L L
Overload protection	L H	L X ⁽¹⁾	L L	L H
Junction over-temperature protection (see Over-temperature)	L H	L L	L H	L L
Case over-temperature protection (see Over-temperature)	L H	L L	L H	L L
UVLO	L H	L L	X X	X X

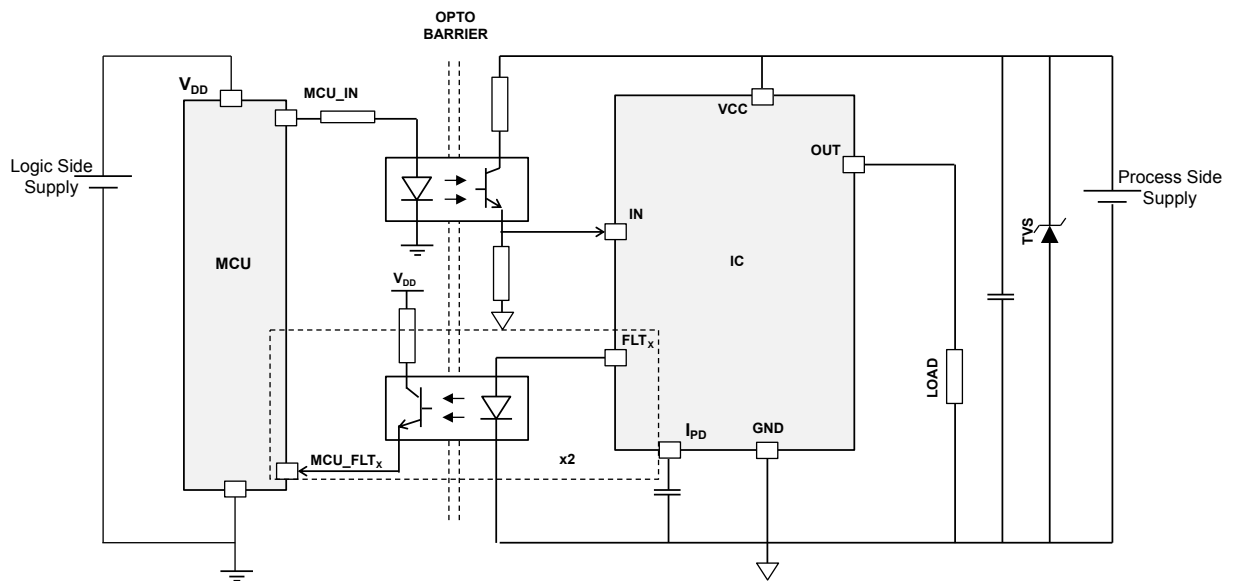
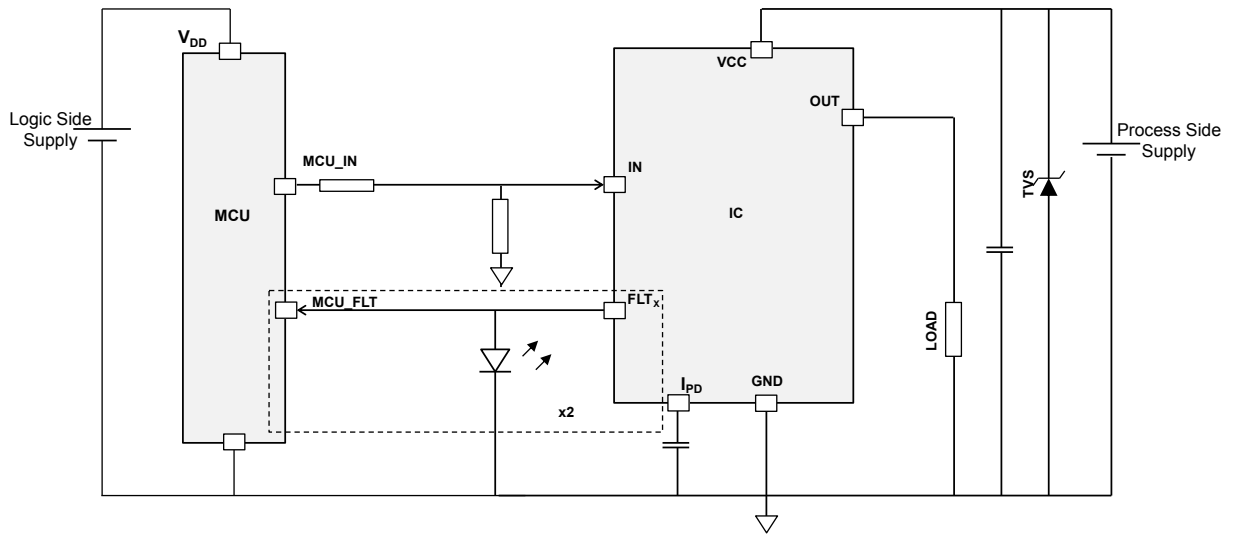
 1. $Pin\ voltage = I_{OUT} * R_{LOAD}$
Figure 5. Typical application diagram with opto-couplers


Figure 6. Typical application diagram without opto-couplers



7 Protections and diagnostic

The IC integrates several protections to help the design of robust applications.

7.1 Under-voltage lock-out

The IC is turned off if the voltage on V_{CC} pin falls below the turn-off threshold (V_{UVOFF}). Normal operation restarts after V_{CC} exceeds the turn-on threshold (V_{UVON}). Turn-on and turn-off thresholds are defined in [Table 4](#).

7.2 Over-temperature

The device is protected against overheating in case of overload conditions. During the driving period (when the MCU is forcing the IN pin high), if the output is overloaded, the device suffers two different thermal stresses: one related to the junction temperature of each output channel, and the other related to the whole case temperature. The two thermal faults (Thermal Junction and Thermal Case) have different trigger thresholds: T_{JSD} and T_{CSD} , respectively.

Usually, in thermal stress conditions due to overload, the junction thermal shutdown is the first protection that is activated: the output channel (OUT) is turned off when its junction temperature (T_J) is higher than the activation threshold (T_{JSD}) and turned back on when it falls below the reset threshold (T_{JR}). This behavior continues while overload on the output persists. When the thermal protection is active, the FLT_1 (current source) becomes active accordingly.

If the thermal protection is active and the temperature of the case (T_C) increases over the case protection threshold (T_{CSD}), then the thermal case protection is activated and the output is switched off until the junction temperature and case temperature fall below their respective reset thresholds (T_{CR} and T_{JR}). The FLT_1 pin is active even when thermal case events occur.

[Figure 7](#) shows the thermal protection behavior, while [Figure 8](#) shows typical temperature trends and output vs. input state.

Figure 7. Thermal protection flowchart

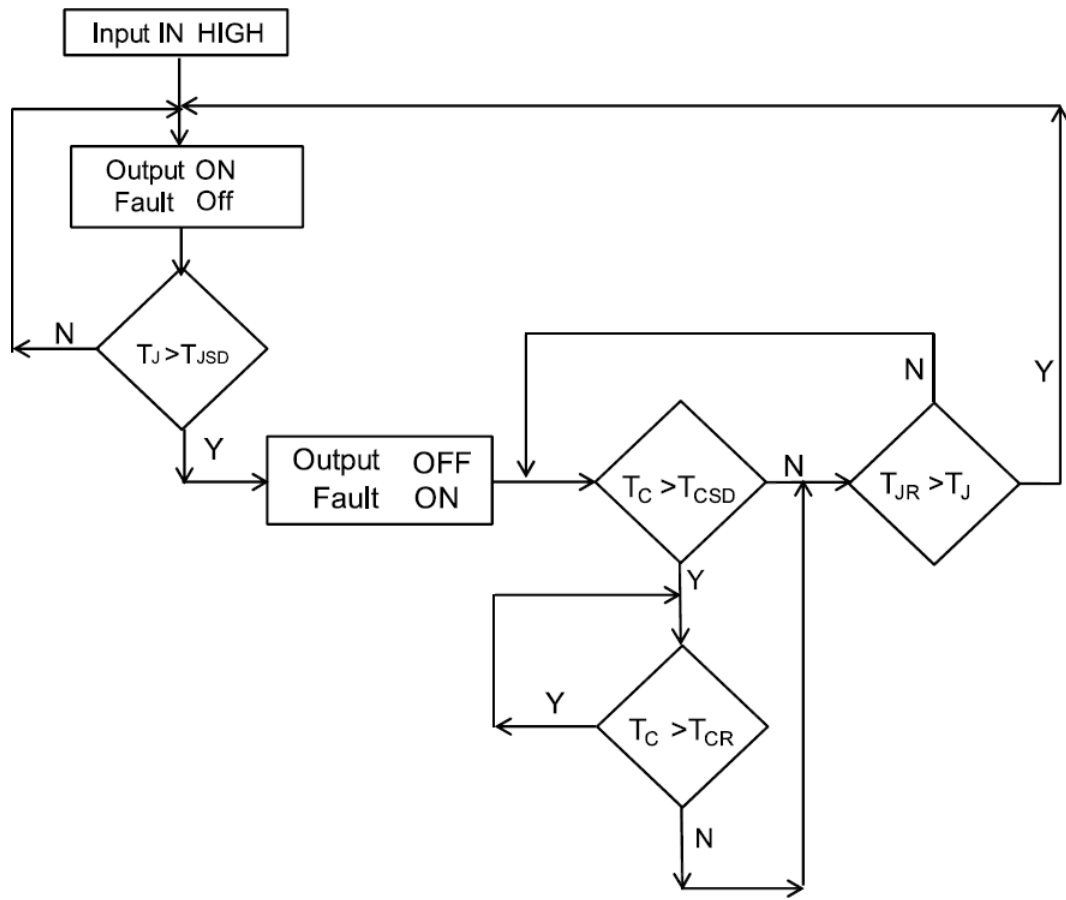
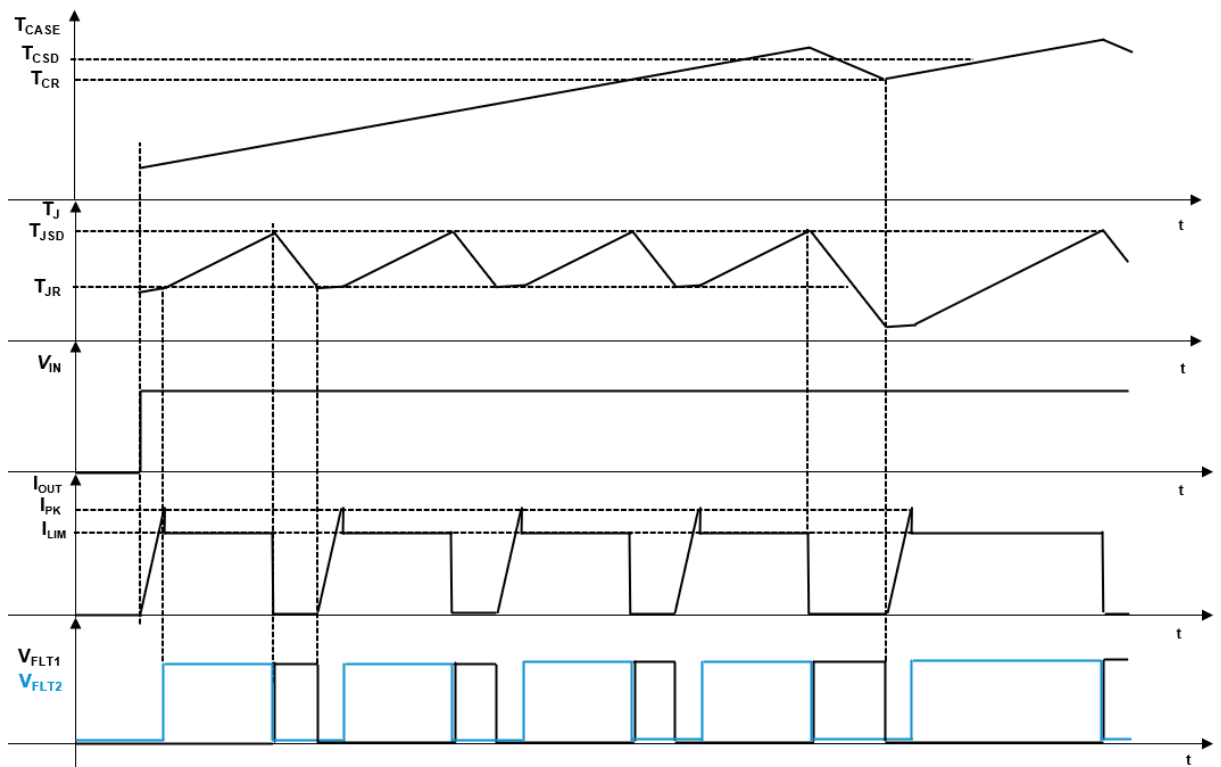


Figure 8. Thermal protection plot



7.3 Overload

The IC integrates an overload protection circuit consisting of an output current sensing section and an output current limitation section.

When the output channel is ON, the sensing circuitry monitors the current supplied to the load: if the activation threshold (I_{PK}) is triggered, then the current limitation control circuitry is activated to limit output current to the current limitation level (I_{LIM}) and FLT_2 pin is activated until the overload condition is removed.

See the following sections for details and [Table 9](#) / [Table 10](#) for specific activation thresholds and limitation levels. Note that while the output channel operates below its activation threshold, the power dissipation can be calculated by $R_{ON} * I_{OUT}^2$, but when the current limitation circuit is activated, power dissipation increases and can be calculated by $V_{DS} * I_{OUT}$, where V_{DS} is the voltage drop between the OUT and V_{CC} pins of the IC. In order to protect the IC against thermal stress, the over-temperature protection is always active and retains the highest priority.

7.3.1 Overload protection with dual threshold

This case is activated when the pin I_{PD} is connected to GND by a capacitor (C_{PD}) and the IC works with two activation thresholds I_{PKH} and I_{PKL} .

The I_{PKH} is active only in the limited time frame between the L-H transition of the IN signal and the D_{PK} delay defined by the following design rule:

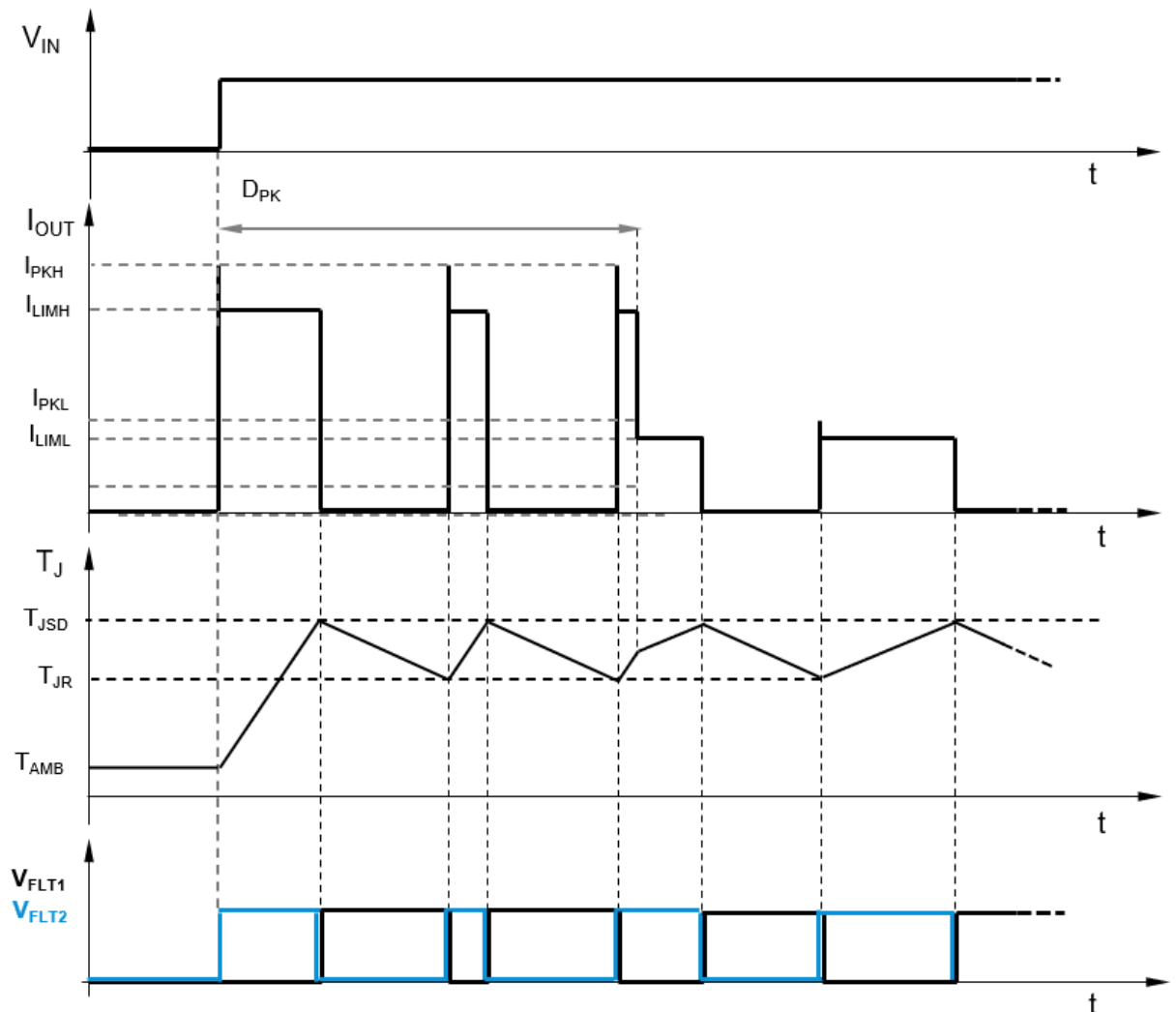
$$D_{PK} [\mu s] = 215 \times C_{PD} [nF]$$

The above design rule is valid in the range $470 \text{ pF} \leq C_{PD} \leq 470 \text{ nF}$ (see [Table 9](#) / [Table 10](#)).

If the I_{PKH} is triggered within the D_{PK} time frame, then the output current is limited to I_{LIMH} .

After D_{PK} has elapsed, the IC operates with I_{PKL} activation threshold and I_{LIML} limitation level, respectively.

Figure 9. Short-circuit behavior with dual threshold ($T_{CASE} < T_{CSD}$)



7.3.2 Overload protection with single (low) threshold

The user can set the activation threshold to I_{PKL} and the limitation level to I_{LIML} by connecting the I_{PD} pin to the IN pin with a 220 K Ω resistor.

This condition is equivalent to setting $D_{PK} = 0 \mu s$.

Note: Leaving I_{PD} floating is equivalent to having an initial peak duration of 1 μs .

7.3.3 Overload protection with single (high) threshold

The user can set the activation threshold to I_{PKH} and the limitation level to I_{LIMH} by connecting the I_{PD} pin to GND with a 10 K Ω resistor.

7.4 V_{CC} disconnection protection

V_{CC} disconnection involves the disconnection of the module from the supply line. When this condition is detected, the output channel can be driven normally until the voltage on V_{CC} pin remains higher than the UVLO threshold.

In case of inductive load, if the V_{CC} is disconnected while the channel is active, the energy stored in the inductance is discharged through the power switch thanks to the integrated demagnetization circuit.

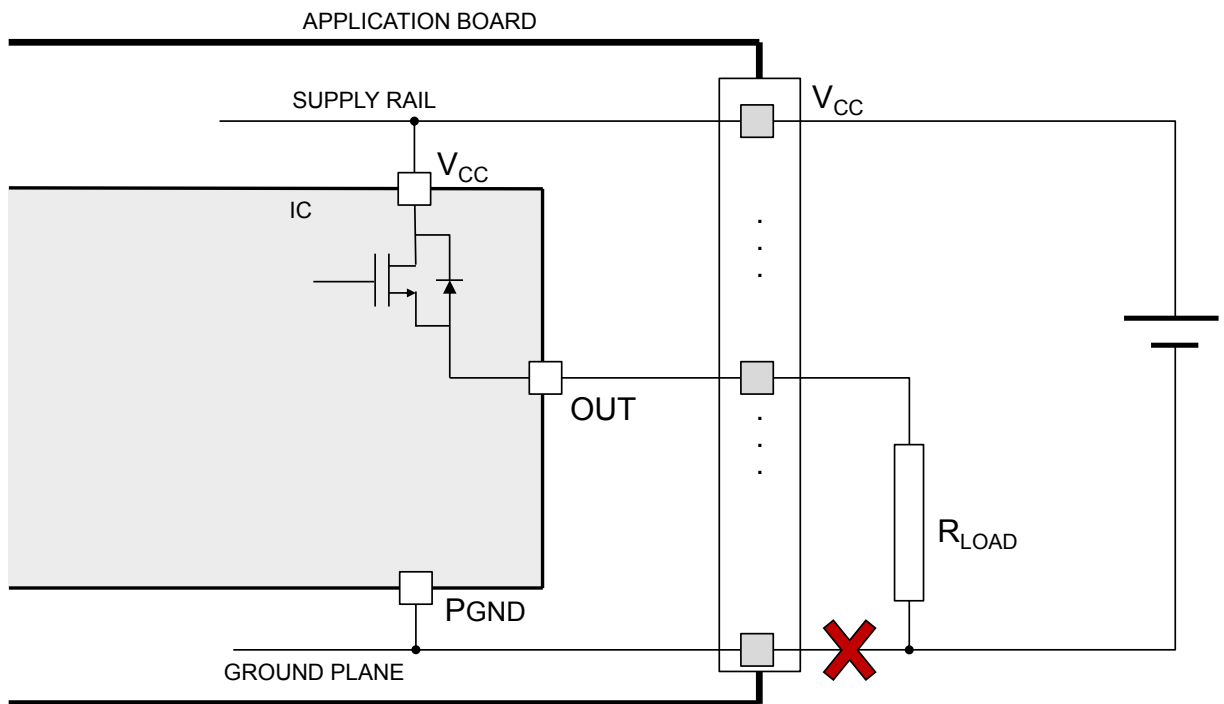
7.5 GND disconnection protection

GND disconnection is the disconnection of the module from the reference line. When this condition occurs, the output channel is turned off regardless of the input status.

When this event occurs, the IC continues working normally until the voltage between V_{CC} and GND pins of the IC results $\geq V_{UVOFF}$. The voltage on the GND pin of the IC rises up to the supply rail voltage level. In case of a GND disconnection event, a current (I_{LGND}) flows through OUT pin.

For an inductive load, if the GND is disconnected while the output channel is active, the current flows through the power, which is activated by an active clamp as if the input had been deactivated.

Figure 10. Ground disconnection



8 Active clamp

Active clamp is also known as Fast Demagnetization of inductive loads or Fast Current Decay. When a high-side driver turns off an inductance, an under-voltage on output is detected.

The OUT pin is pulled-down to $V_{CC} - V_{DEMAG}$. The conduction state is modulated by an internal circuitry in order to keep the OUT pin voltage at $\sim V_{DEMAG}$ until the load energy has been dissipated. The energy is dissipated in both IC internal switch and load resistance.

Figure 11. Active clamp equivalent principle schematic

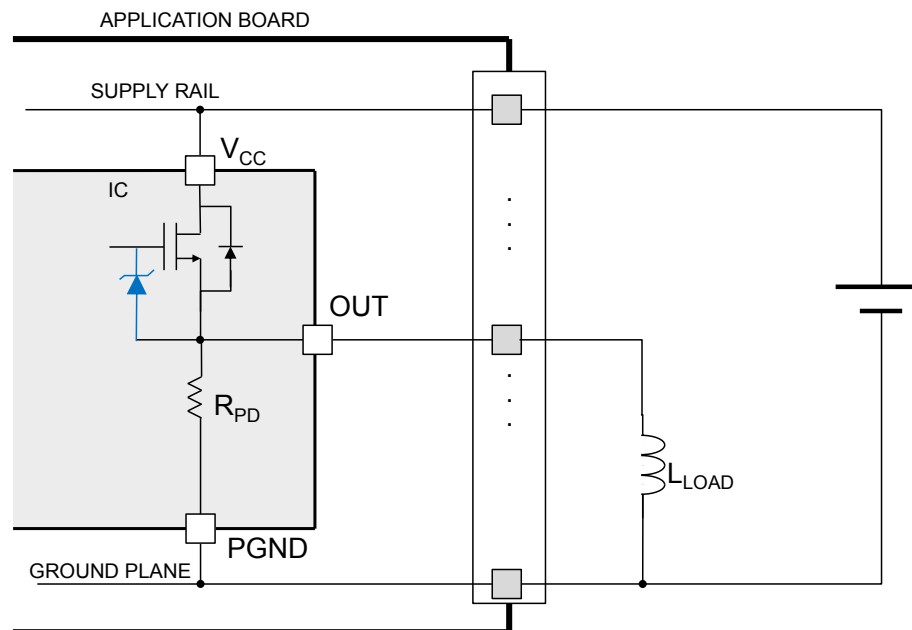


Figure 12. Typical demagnetization: E vs I (single pulse) at $V_{CC} = 24\text{ V}$ and $T_{AMB} = 125\text{ °C}$

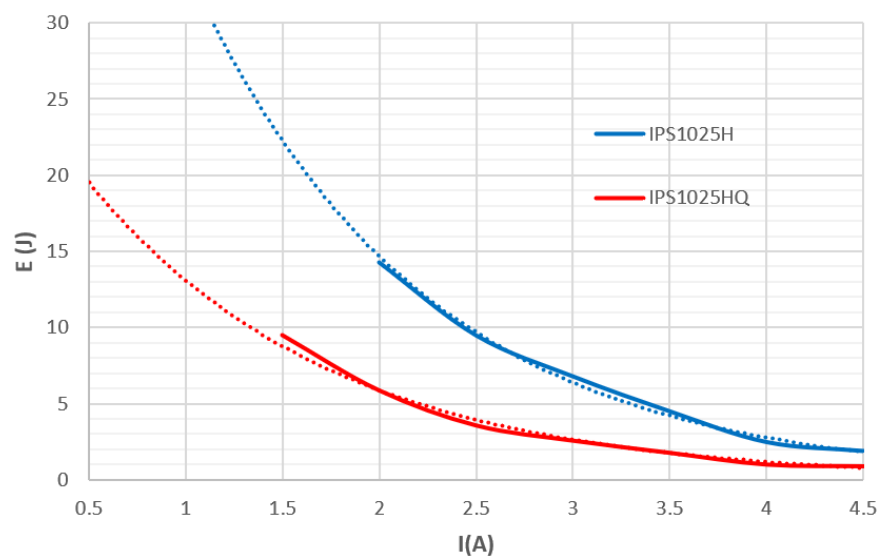
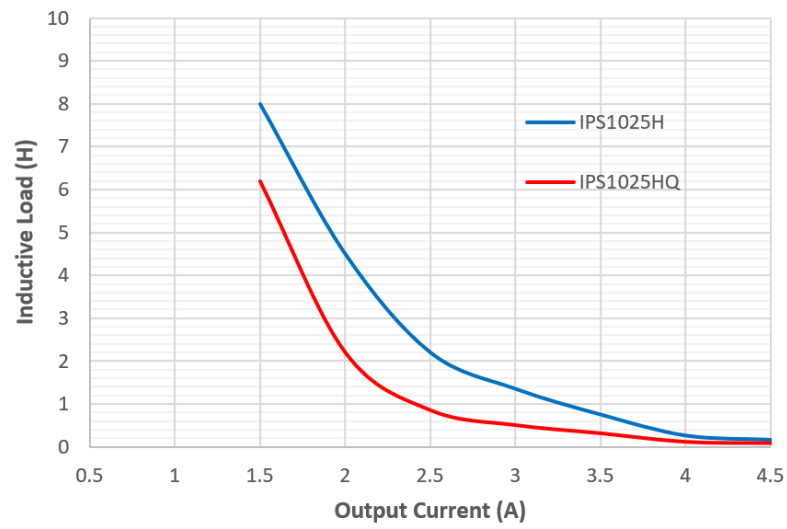


Figure 13. Typical demagnetization: L vs I (single pulse) at $V_{CC} = 24\text{ V}$ and $T_{AMB} = 125\text{ }^{\circ}\text{C}$



9 Package information

In order to meet environmental requirements, ST offers these devices in different grades of **ECOPACK** packages, depending on their level of environmental compliance. ECOPACK specifications, grade definitions and product status are available at: www.st.com. ECOPACK is an ST trademark.

9.1 Package mechanical data

Figure 14. PowerSSO-24 package dimensions

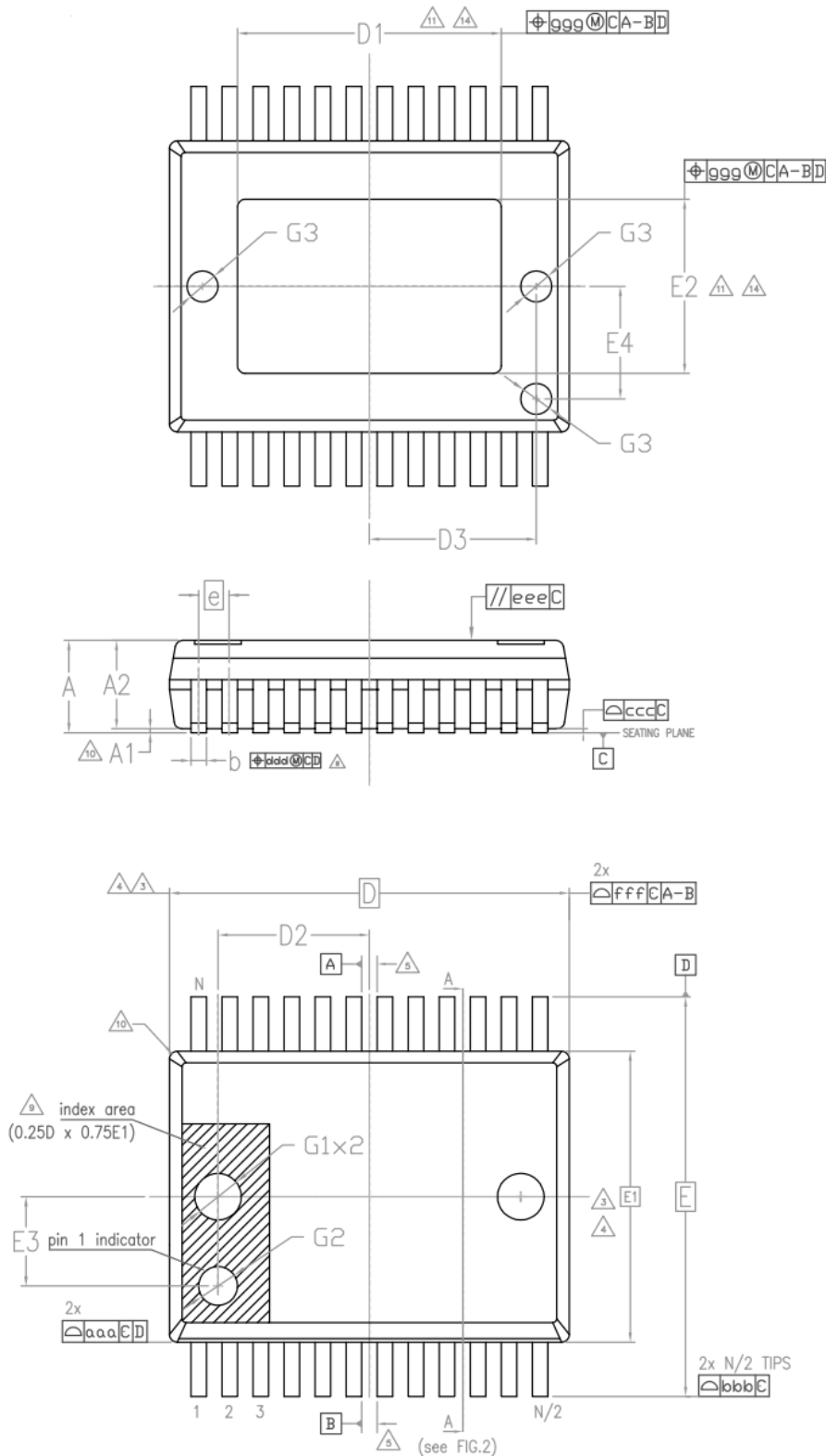


Figure 15. PowerSSO-24 package, section A-A

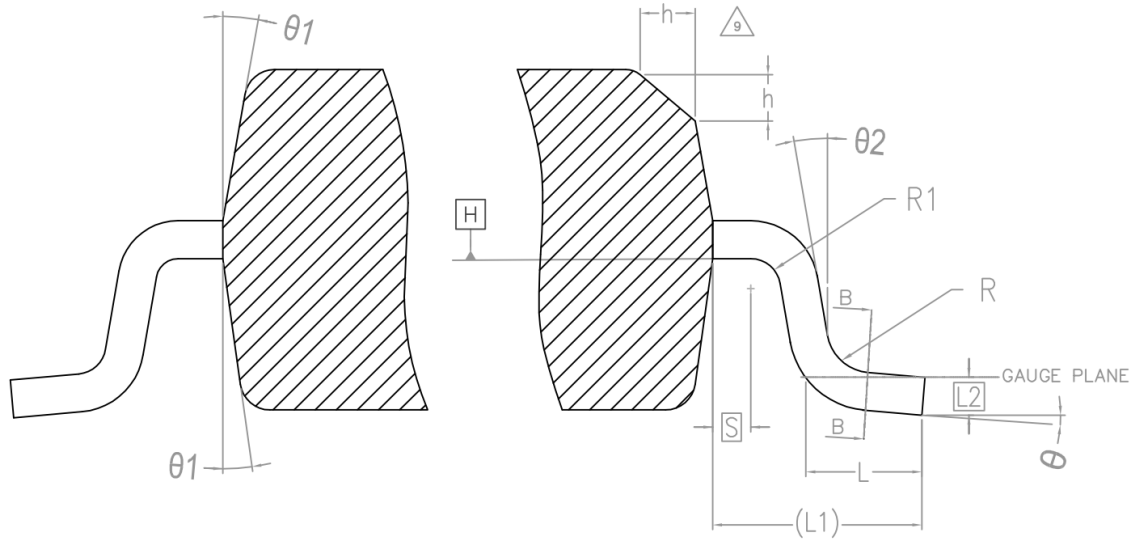


Figure 16. PowerSSO-24 package, section B-B

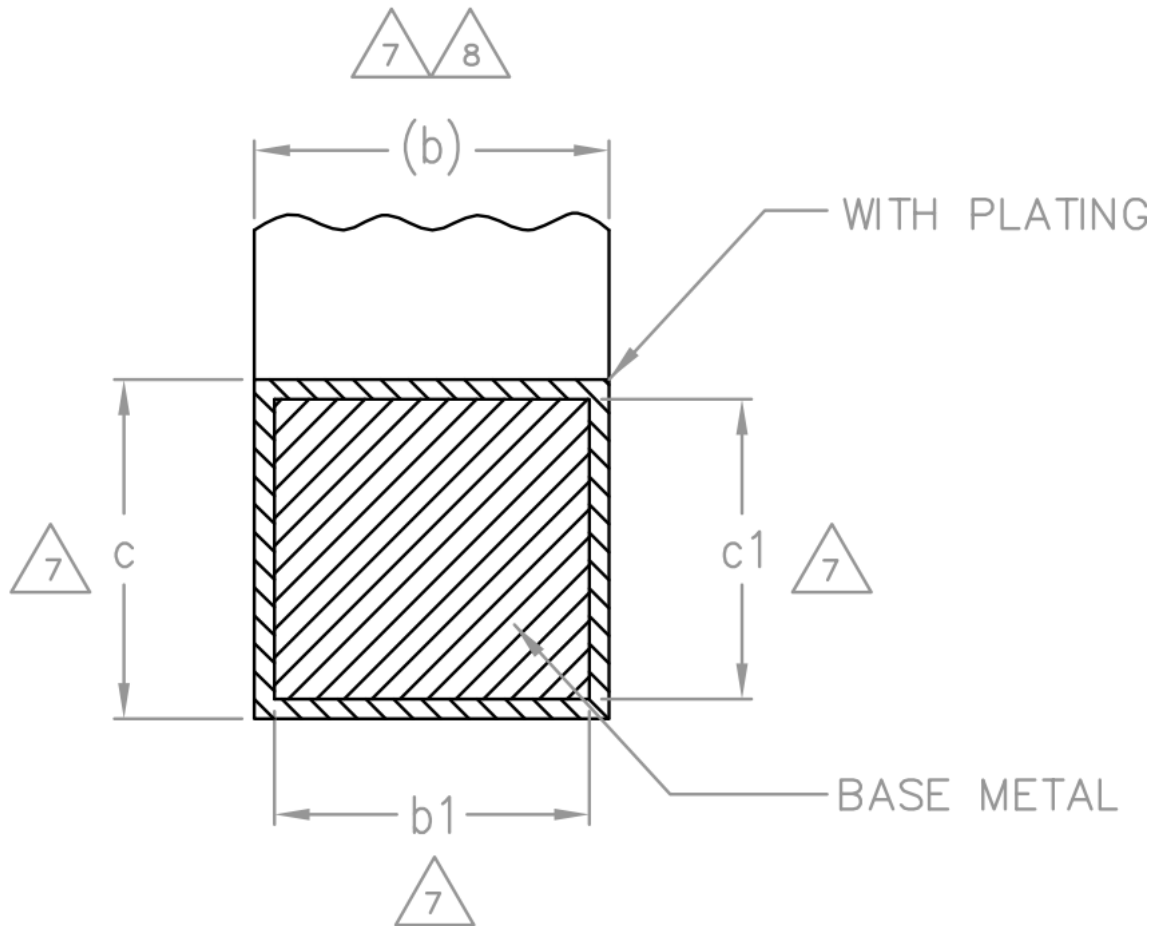


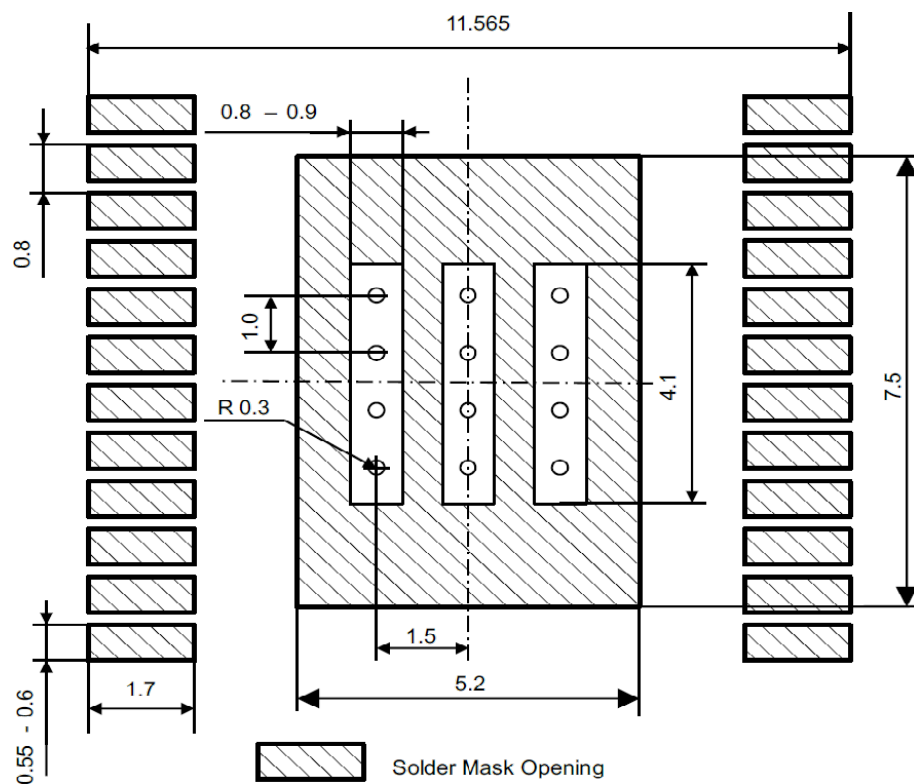
Table 13. PowerSSO-24 mechanical data

Symbol	[mm]		
	Min.	Nom.	Max.
Θ	0°	-	7°
$\Theta 1$	5°	-	10°
$\Theta 2$	0°	-	-
A	-	-	2.42
A1	0.005	-	0.09
A2	2.23	2.28	2.33
b	0.375	-	0.45
b1	-	0.40	-
c	0.24	-	0.30
c1	0.20	0.20	0.30
D	10.30 BSC		
D1	6.60	-	7.00
D2	-	3.65	-
D3	-	4.30	-
e	0.80 BSC		
E	10.30 BSC		
E1	7.50 BSC		
E2	4.60	-	5.00
E3	-	2.30	-
E4	-	2.90	-
G1	-	1.20	-
G2	-	1.00	-
G3	-	0.80	-
h	0.30	-	0.40
L	0.60	0.70	0.85
L1	1.40 REF		
L2	0.25 BSC		
N	24		
R	0.30	-	-
R1	0.20	-	-
S	0.25	-	-

Table 14. Tolerance of forms and positions

Symbol	Tolerance of forms and positions
aaa	0.20
bbb	0.20
ccc	0.10
ddd	0.20
eee	0.10
fff	0.20
ggg	0.15

Figure 17. PowerSSO-24 suggested footprint [mm]



STMicroelectronics is not responsible for PCB-related issues. The footprint shown in the above figure is a suggestion which may differ from the customer PCB supplier design rules.

Figure 18. VFQFPN-48L package dimensions

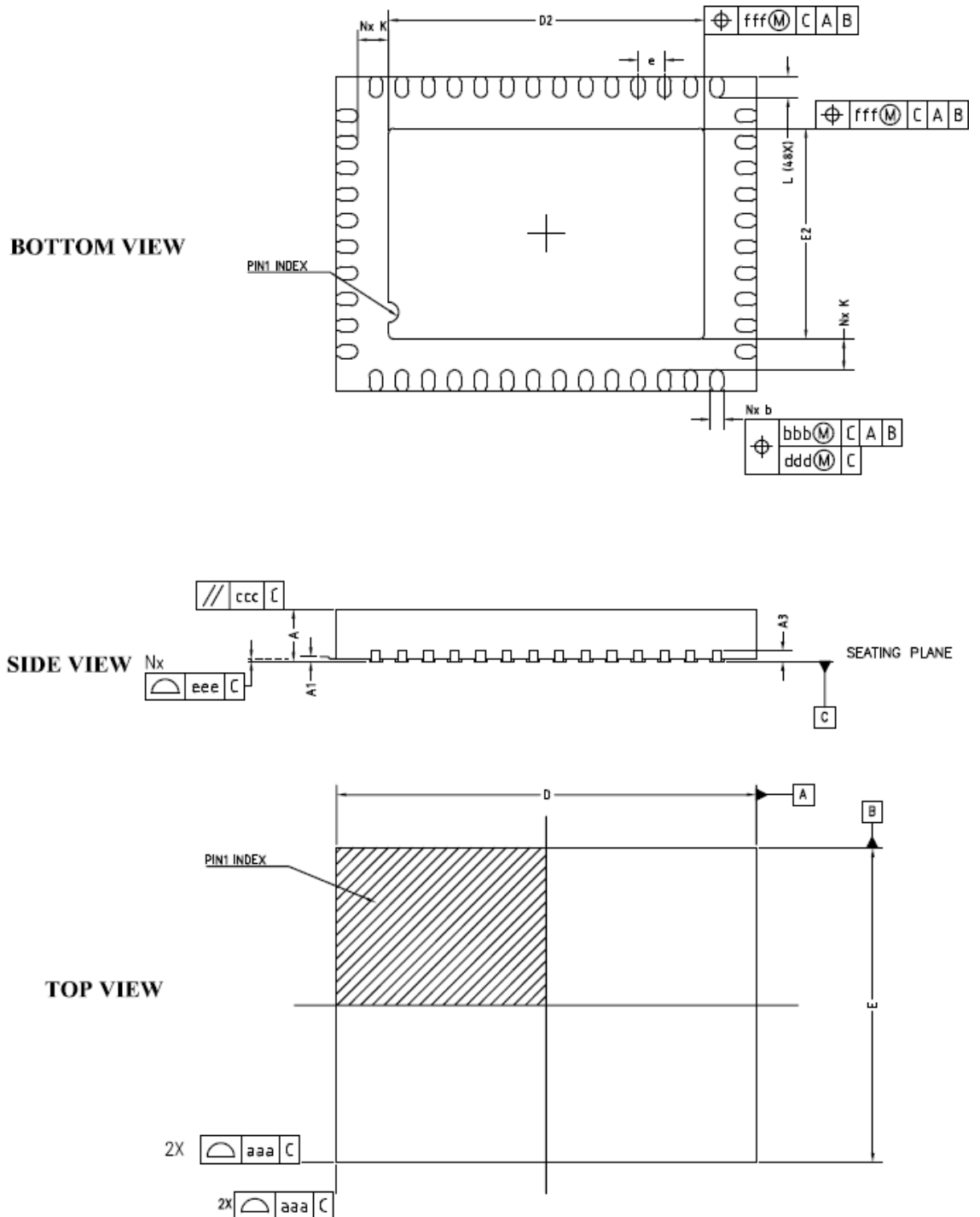


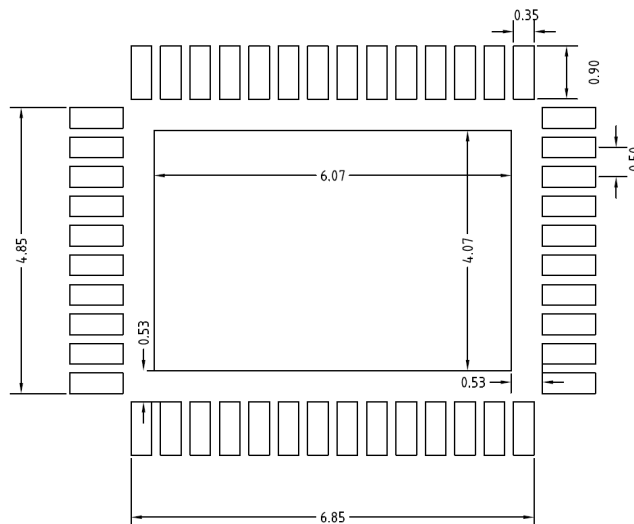
Table 15. VFQFPN-48L mechanical data

Symbol	[mm]		
	Min.	Nom.	Max.
A	0.80	0.85	0.90
A1	0.00	-	0.05
A3	0.20 REF.		
b	0.20	0.25	0.30
D	8.00 BSC		
e	0.50 BSC		
E	6.00 BSC		
D2	5.97	6.02	6.07
E2	3.97	4.02	4.07
L	0.365	0.40	0.435
k	0.53	-	-
N	48		

Table 16. Tolerance of forms and positions

Symbol	Tolerance of forms and positions
aaa	0.10
bbb	0.10
ccc	0.10
ddd	0.05
eee	0.08
fff	0.10

Figure 19. VFQFPN-48L suggested footprint [mm]



10 Packing information

10.1 Packing mechanical data

Figure 20. PowerSSO-24 tube shipment (no suffix)

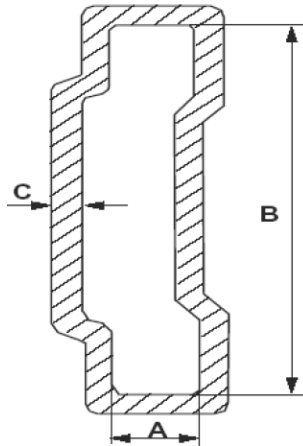


Table 17. PowerSSO-24 tube shipment information

All dimensions are in mm

Description	Value
Base quantity	49
Bulk quantity	1225
Tube length (± 0.5)	532
A	3.5
B	13.8
C (± 0.1)	0.6

Figure 21. PowerSSO-24 reel shipment

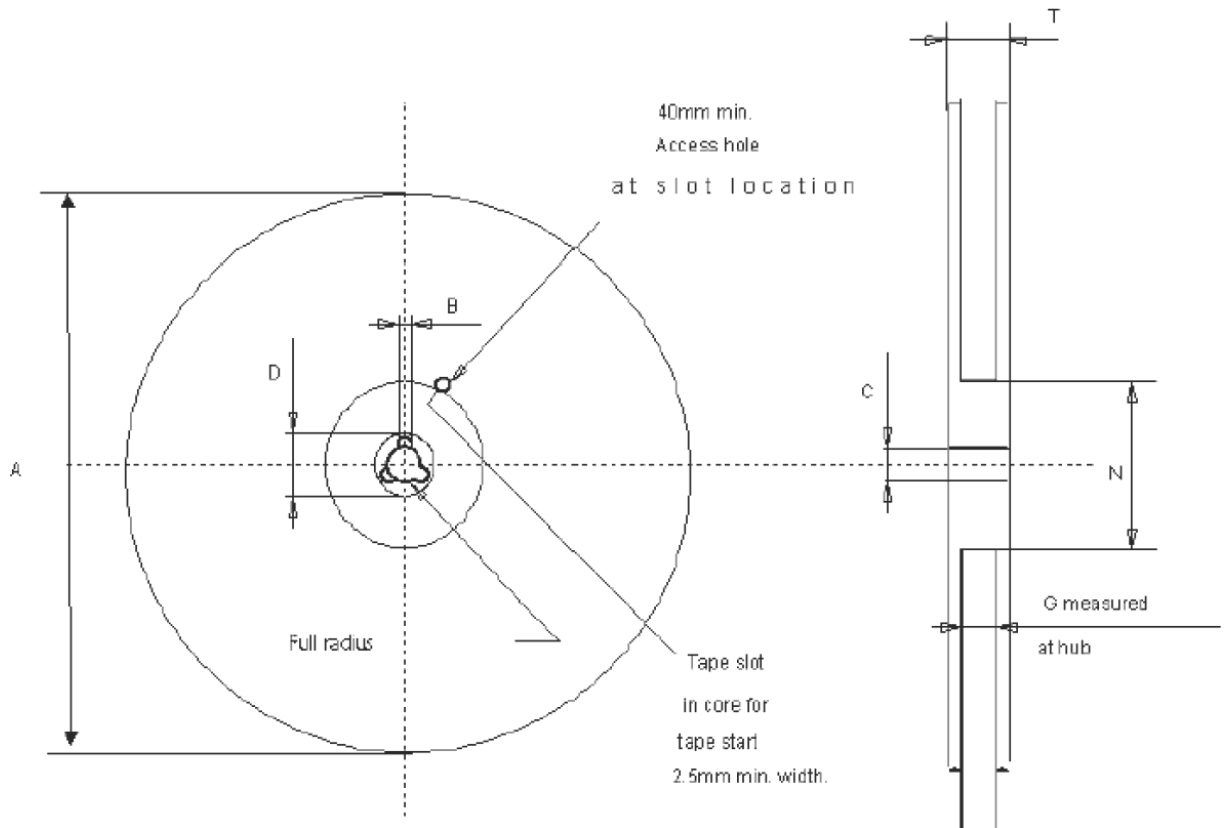


Table 18. PowerSSO-24 reel information

All dimensions are in mm

Description	Value
Base quantity	1000
Bulk quantity	1000
A (max.)	330
B (min.)	1.5
C (± 0.2)	13
F	20.2
G (2 ± 0)	24.4
N (min.)	100
T (max.)	30.4

Figure 22. PowerSSO-24 tape drawings

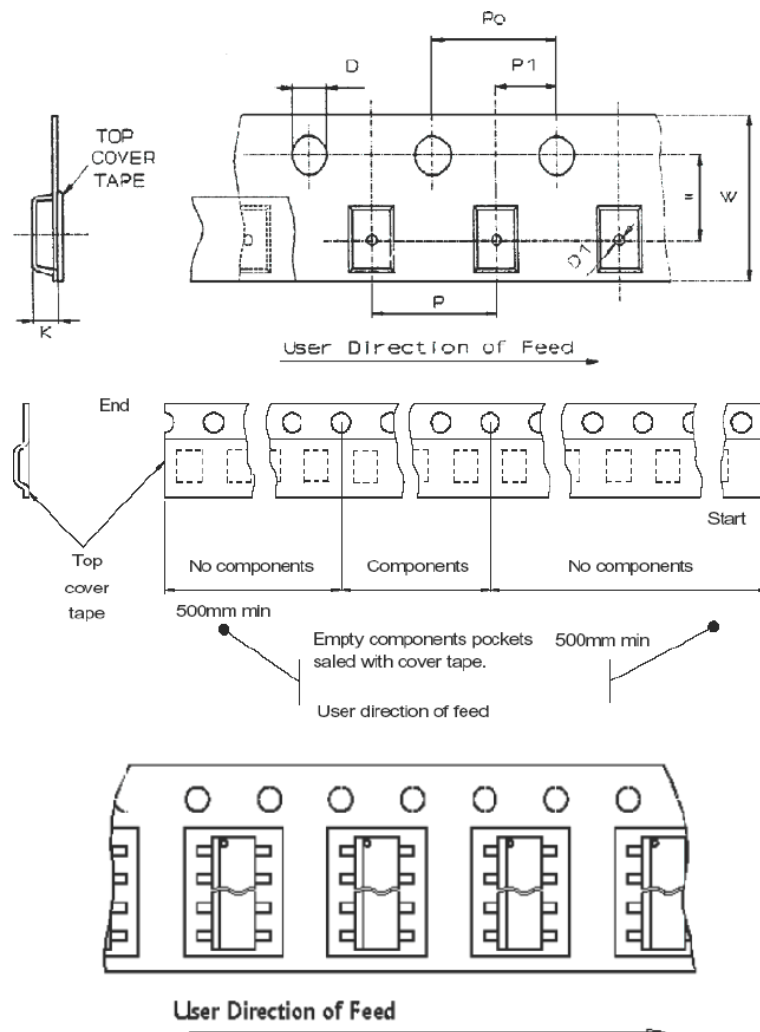


Table 19. PowerSSO-24 tape dimension

All dimensions are in mm

Description	Symbol	Value
Tape width	W	24
Tape hole spacing	P0 (± 0.1)	4
Component spacing	P	12
Hole diameter	D (± 0.05)	1.55
Hole diameter	D1 (min.)	1.5
Hole position	F (± 0.1)	11.5
Compartment depth	K (max.)	2.85
Hole spacing	P1 (± 0.1)	2

Note: According to the Electronic Industries Association (EIA) standard 481 rev. A, Feb 1986.

Figure 23. VFQFPN-48L reel shipment reference

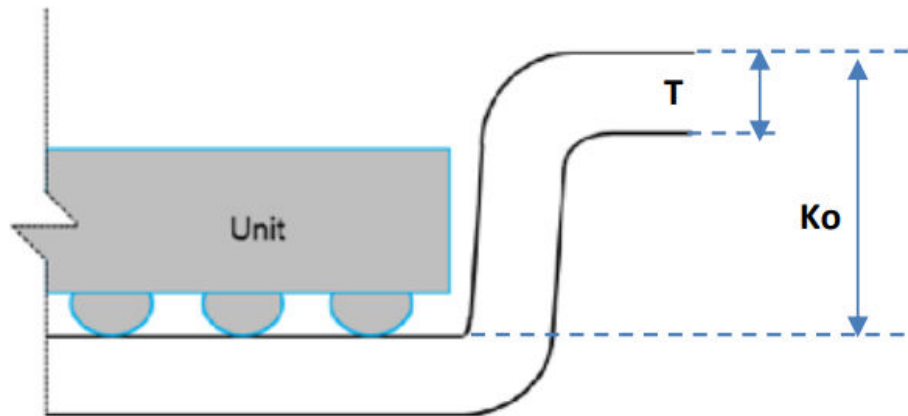
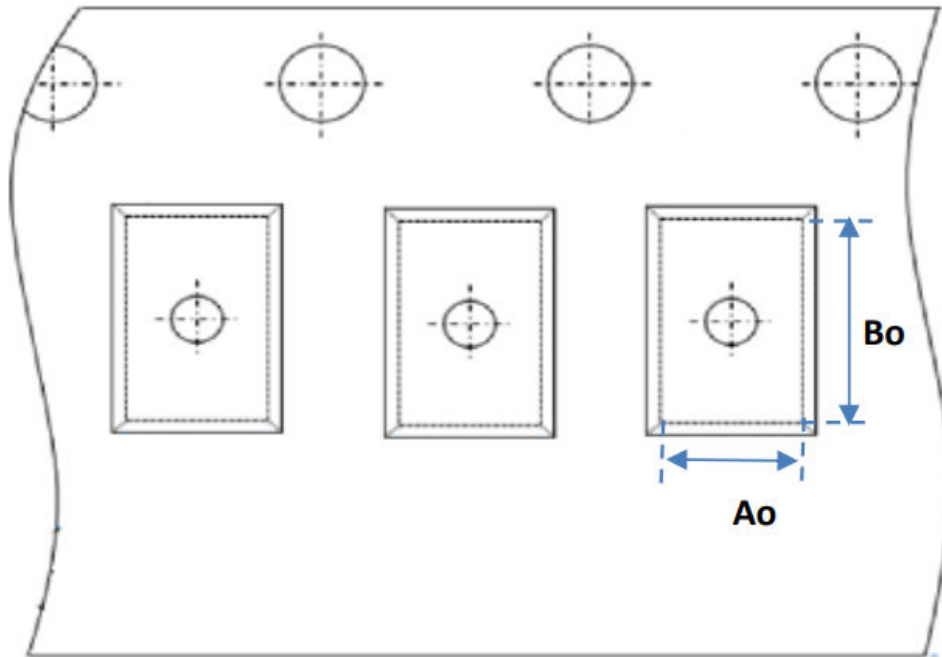


Table 20. Standard SPC parameters

Item	Description
Ao	Pocket Length
Bo	Pocket Width
Ko	Pocket Depth
T	Tape Thickness

Figure 24. VFQFPN-48L carrier tape dimensions

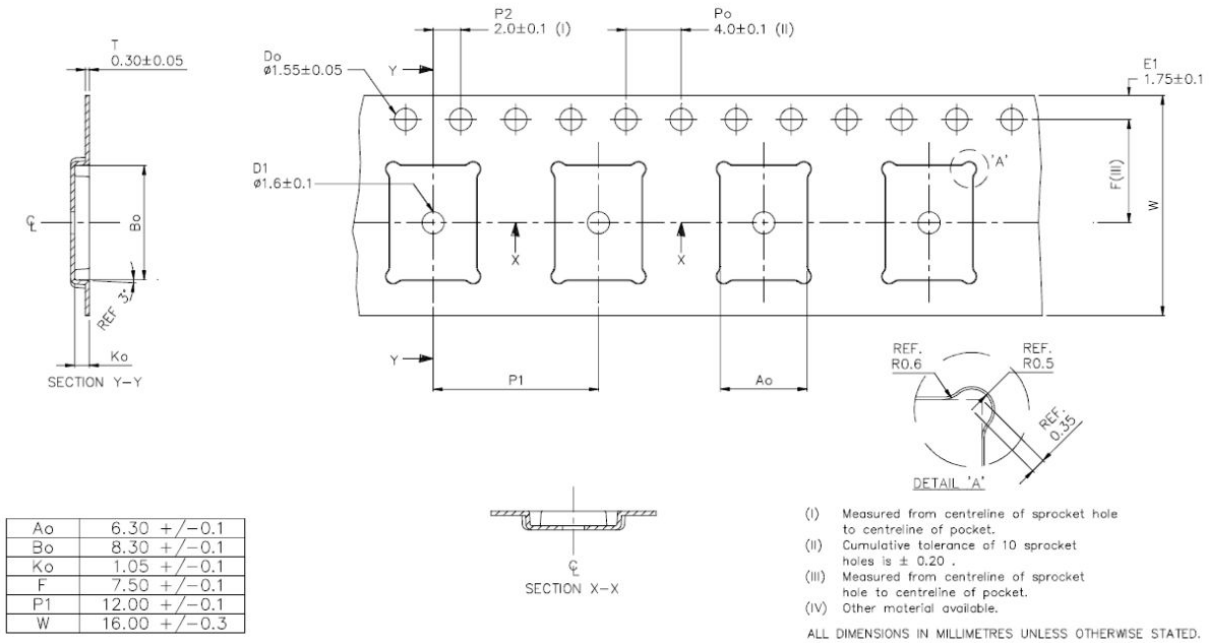
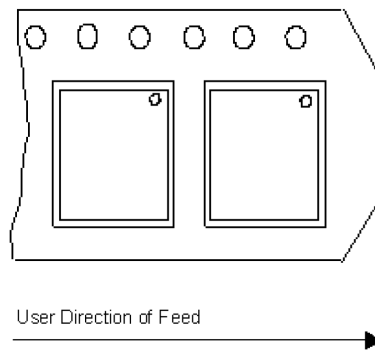


Figure 25. VFQFPN-48L carrier tape, Pin 1 indication



11 Ordering information

Table 21. Ordering information

Part number	Package	Packaging
IPS1025H	PowerSSO-24	Tube
IPS1025HTR		Tape and reel
IPS1025H-32		Tube
IPS1025HTR-32		Tape and reel
IPS1025HQ	VFQFPN-48L 8x6x0.9 mm	Tape and reel
IPS1025HQ-32		

Revision history

Table 22. Document revision history

Date	Version	Changes
15-Nov-2021	1	Initial release.
28-Mar-2022	2	Table 9: specified only typical values for IPKH and IPKL; table 10: added column for FLT ₂ behavior ; changed fig.12; some minor changes.
01-Aug-2022	3	Add QFN data: fig.2, 12, 15, 16, 20, 21, 22; tables 1, 2, 3, 14, 15, 19, 20. Divided table 9 in tables 9, 10, 11. Some minor changes.
05-Apr-2023	4	Modified table 1; updated BT _{FLT} data in table 8; add figure 13. Changed figure 14 and table 13, add figures 15, 16 and table 14 (par.9.1, PowerSSO-24 package mechanical data); some minor changes.
04-Jul-2023	5	Corrected RPNs and summary link table in cover page; added ST sub-brand in cover page; changed FLT _x pin description in Table 1 ; changed package name to VFQFPN-48L.

Contents

1	Block diagram	2
2	Pin connection	3
3	Absolute maximum ratings	4
4	Thermal data	5
5	Electrical characteristics	6
6	Output Logic	10
7	Protections and diagnostic	12
7.1	Under-voltage lock-out	12
7.2	Over-temperature	12
7.3	Overload	14
7.3.1	Overload protection with dual threshold	14
7.3.2	Overload protection with single (low) threshold	15
7.3.3	Overload protection with single (high) threshold	15
7.4	V _{CC} disconnection protection	15
7.5	GND disconnection protection	16
8	Active clamp	17
9	Package information	19
9.1	Package mechanical data	20
10	Packing information	26
10.1	Packing mechanical data	26
11	Ordering information	31
	Revision history	32

List of figures

Figure 1.	IPS1025H/HQ, IPS1025H-32/HQ-32 block diagram	2
Figure 2.	Pin connections (top through view)	3
Figure 3.	Timing	7
Figure 4.	High (left) and Low (right) I_{LOAD} control activation thresholds (I_{PK}) and limitation levels (I_{LIM})	9
Figure 5.	Typical application diagram with opto-couplers	10
Figure 6.	Typical application diagram without opto-couplers	11
Figure 7.	Thermal protection flowchart	13
Figure 8.	Thermal protection plot	13
Figure 9.	Short-circuit behavior with dual threshold ($T_{CASE} < T_{CSD}$)	15
Figure 10.	Ground disconnection	16
Figure 11.	Active clamp equivalent principle schematic	17
Figure 12.	Typical demagnetization: E vs I (single pulse) at $V_{CC} = 24\text{ V}$ and $T_{AMB} = 125\text{ °C}$	17
Figure 13.	Typical demagnetization: L vs I (single pulse) at $V_{CC} = 24\text{ V}$ and $T_{AMB} = 125\text{ °C}$	18
Figure 14.	PowerSSO-24 package dimensions	20
Figure 15.	PowerSSO-24 package, section A-A	21
Figure 16.	PowerSSO-24 package, section B-B	21
Figure 17.	PowerSSO-24 suggested footprint [mm]	23
Figure 18.	VFQFPN-48L package dimensions	24
Figure 19.	VFQFPN-48L suggested footprint [mm]	25
Figure 20.	PowerSSO-24 tube shipment (no suffix).	26
Figure 21.	PowerSSO-24 reel shipment	27
Figure 22.	PowerSSO-24 tape drawings	28
Figure 23.	VFQFPN-48L reel shipment reference	29
Figure 24.	VFQFPN-48L carrier tape dimensions	30
Figure 25.	VFQFPN-48L carrier tape, Pin 1 indication	30

List of tables

Table 1.	Pin descriptions	3
Table 2.	Absolute maximum ratings	4
Table 3.	Thermal data	5
Table 4.	Supply	6
Table 5.	Output stage	6
Table 6.	Switching	6
Table 7.	Input pin (IN)	7
Table 8.	Diagnostic pins (FLT ₁ , FLT ₂)	7
Table 9.	IPS1025H/HQ Overload protections	8
Table 10.	IPS1025H-32/HQ-32 Overload protections	8
Table 11.	Other protections	9
Table 12.	Output stage truth table	10
Table 13.	PowerSSO-24 mechanical data	22
Table 14.	Tolerance of forms and positions	23
Table 15.	VFQFPN-48L mechanical data	25
Table 16.	Tolerance of forms and positions	25
Table 17.	PowerSSO-24 tube shipment information	26
Table 18.	PowerSSO-24 reel information	27
Table 19.	PowerSSO-24 tape dimension	28
Table 20.	Standard SPC parameters	29
Table 21.	Ordering information	31
Table 22.	Document revision history	32

IMPORTANT NOTICE – READ CAREFULLY

STMicroelectronics NV and its subsidiaries (“ST”) reserve the right to make changes, corrections, enhancements, modifications, and improvements to ST products and/or to this document at any time without notice. Purchasers should obtain the latest relevant information on ST products before placing orders. ST products are sold pursuant to ST’s terms and conditions of sale in place at the time of order acknowledgment.

Purchasers are solely responsible for the choice, selection, and use of ST products and ST assumes no liability for application assistance or the design of purchasers’ products.

No license, express or implied, to any intellectual property right is granted by ST herein.

Resale of ST products with provisions different from the information set forth herein shall void any warranty granted by ST for such product.

ST and the ST logo are trademarks of ST. For additional information about ST trademarks, refer to www.st.com/trademarks. All other product or service names are the property of their respective owners.

Information in this document supersedes and replaces information previously supplied in any prior versions of this document.

© 2023 STMicroelectronics – All rights reserved