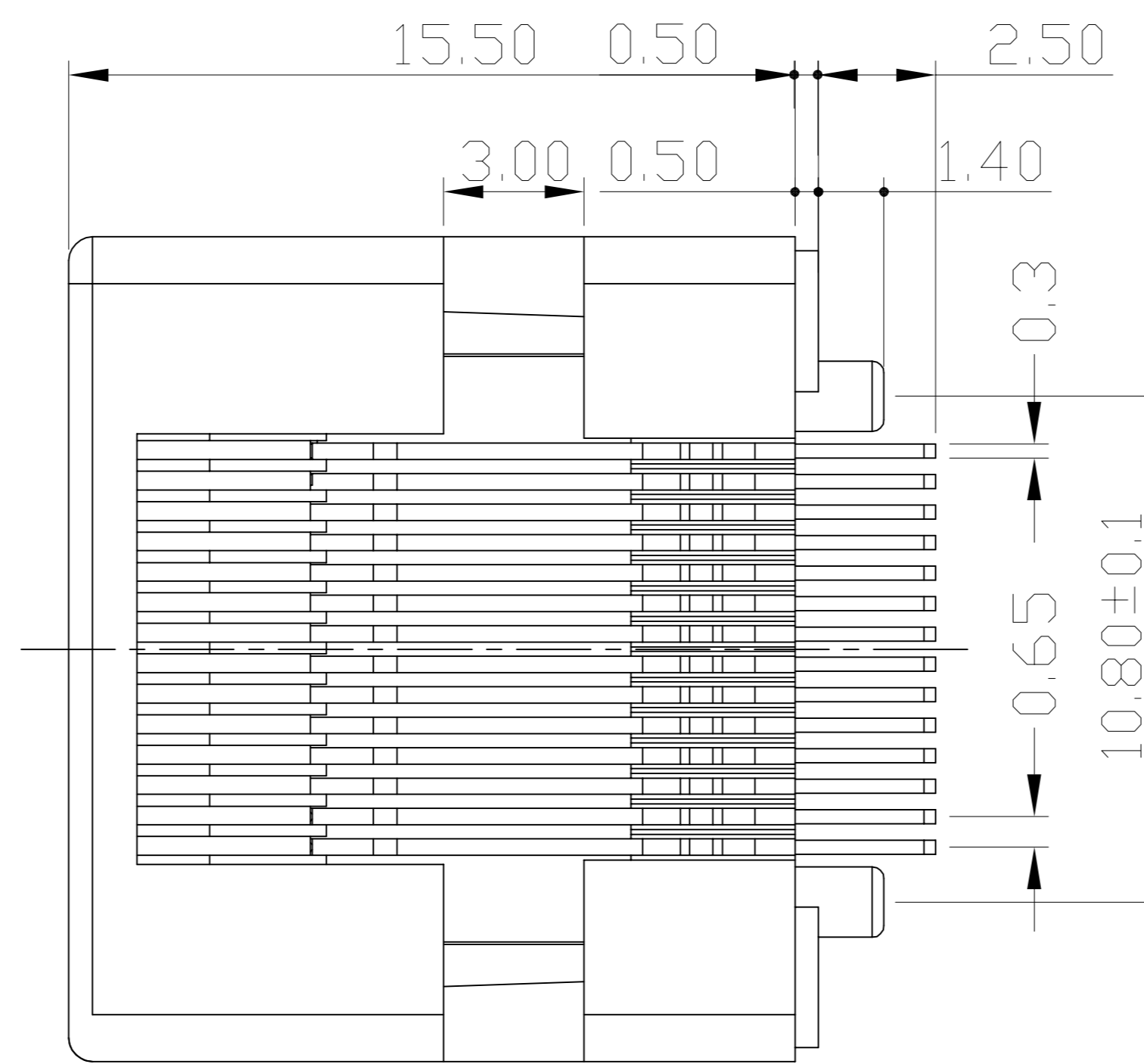
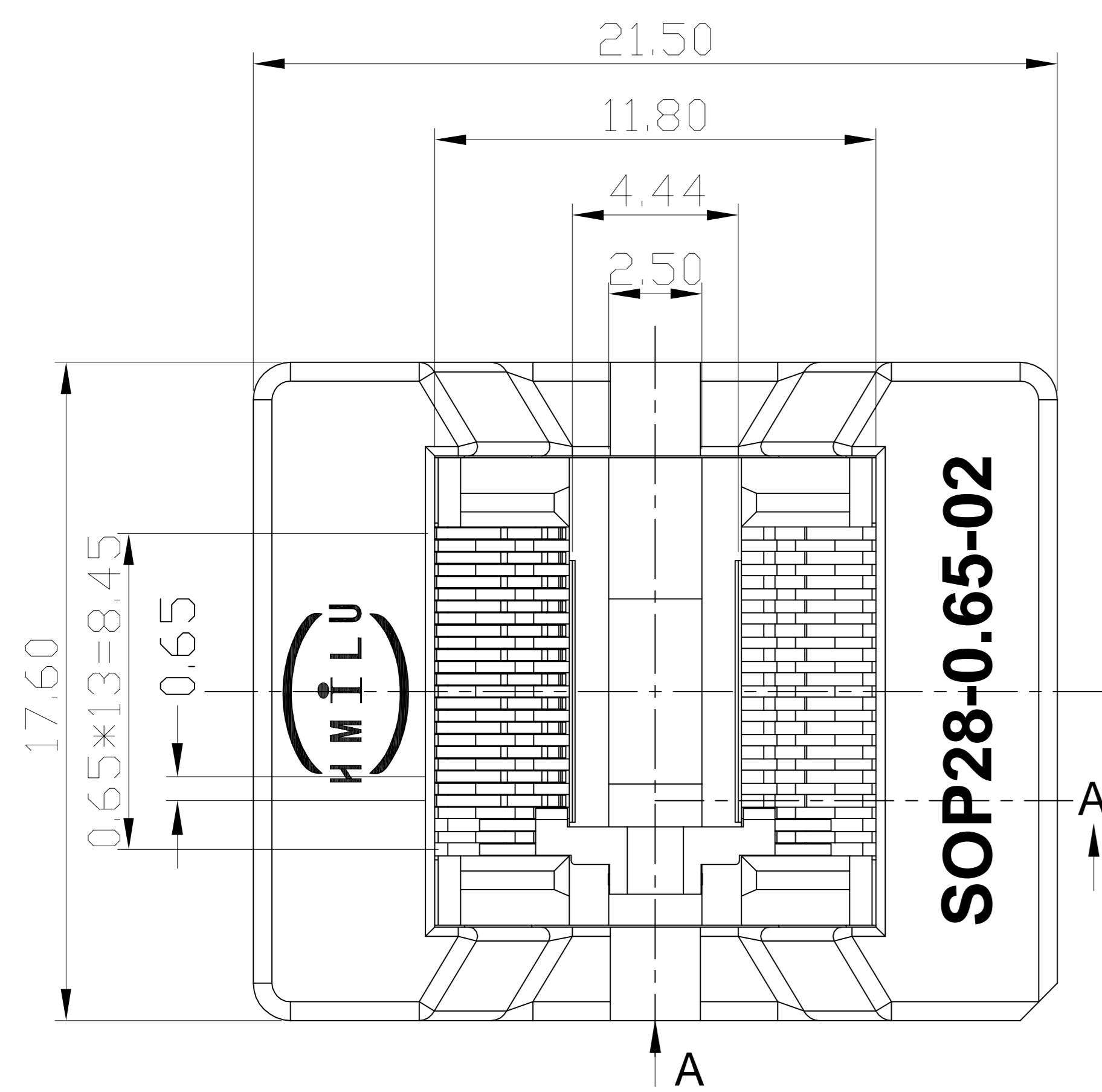
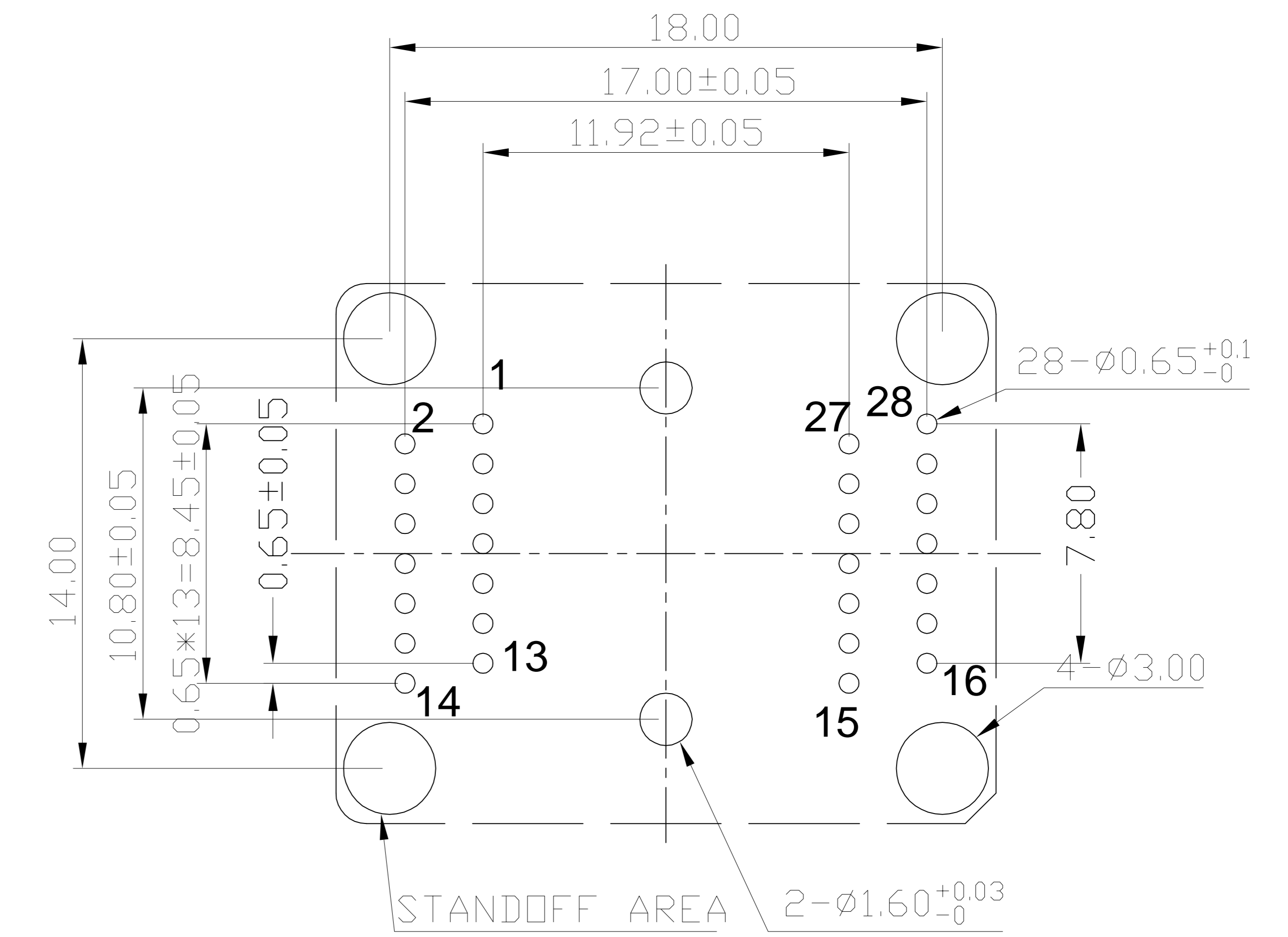


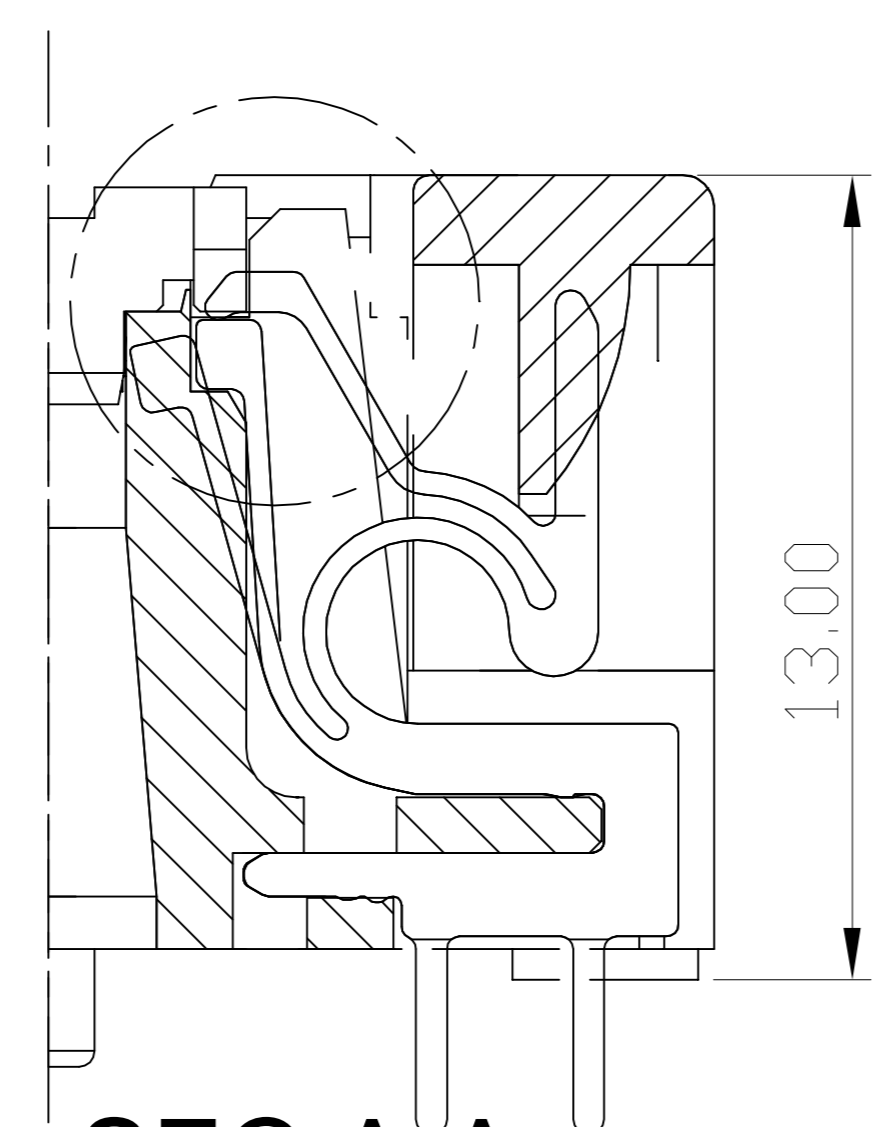
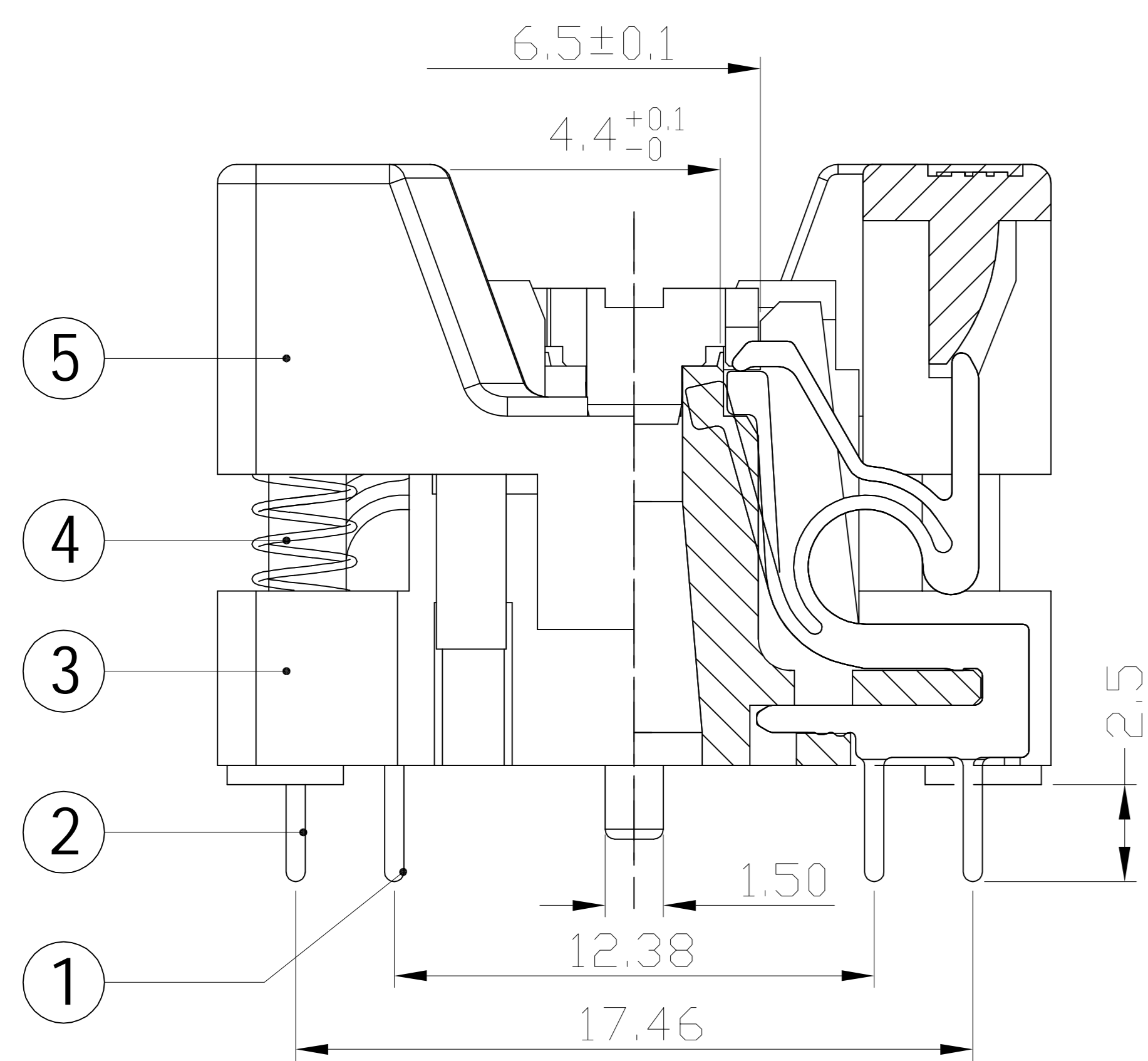
REVISION	DESCRIPTION	CHECK	APP	DATE	REV. NOTICE. NO
△ 1					
△ 2					
△ 3					



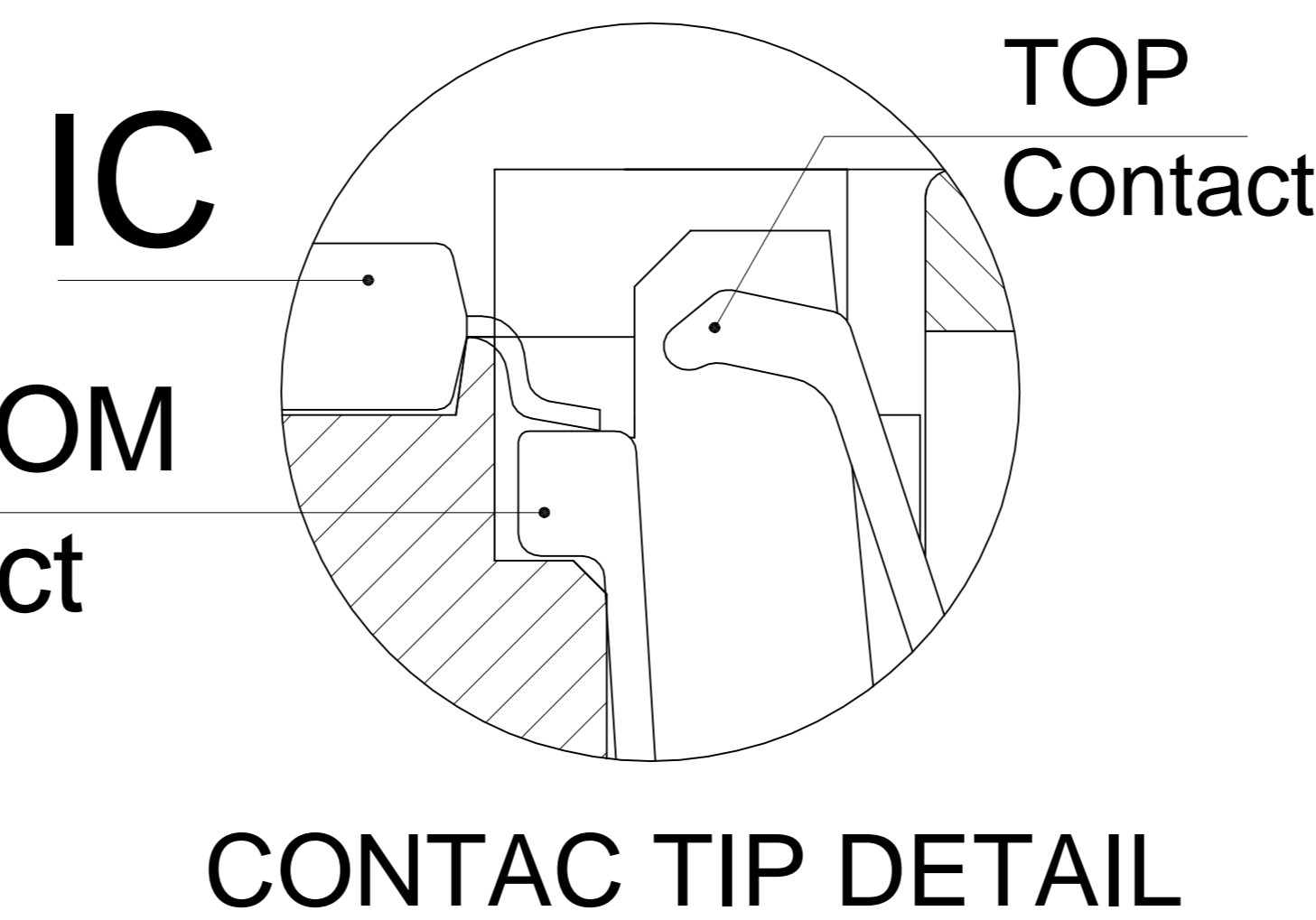
PCB PATTERN (TOP VIEW)



Insertion



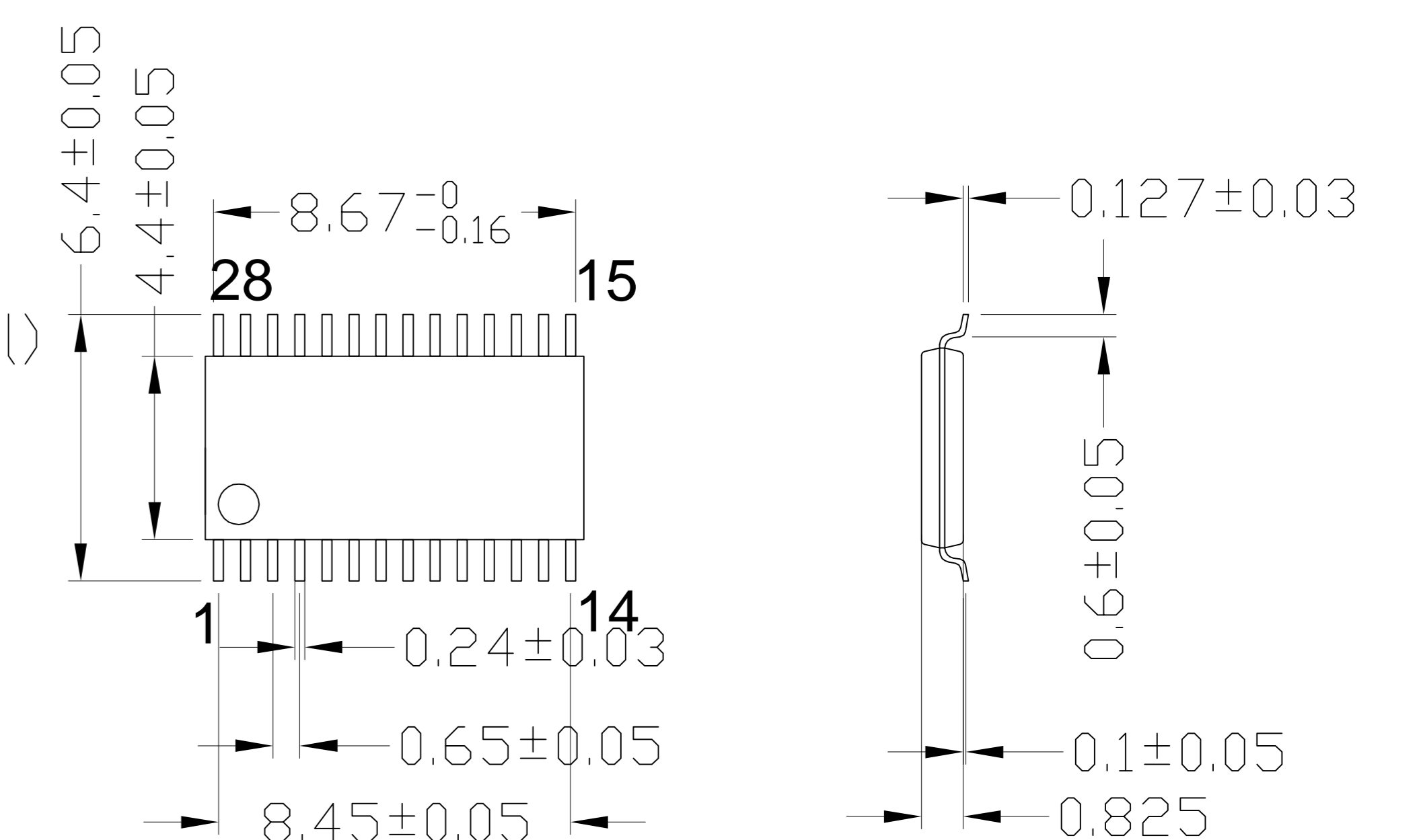
SEC.A-A Contact Retracted



PERFORMANCE

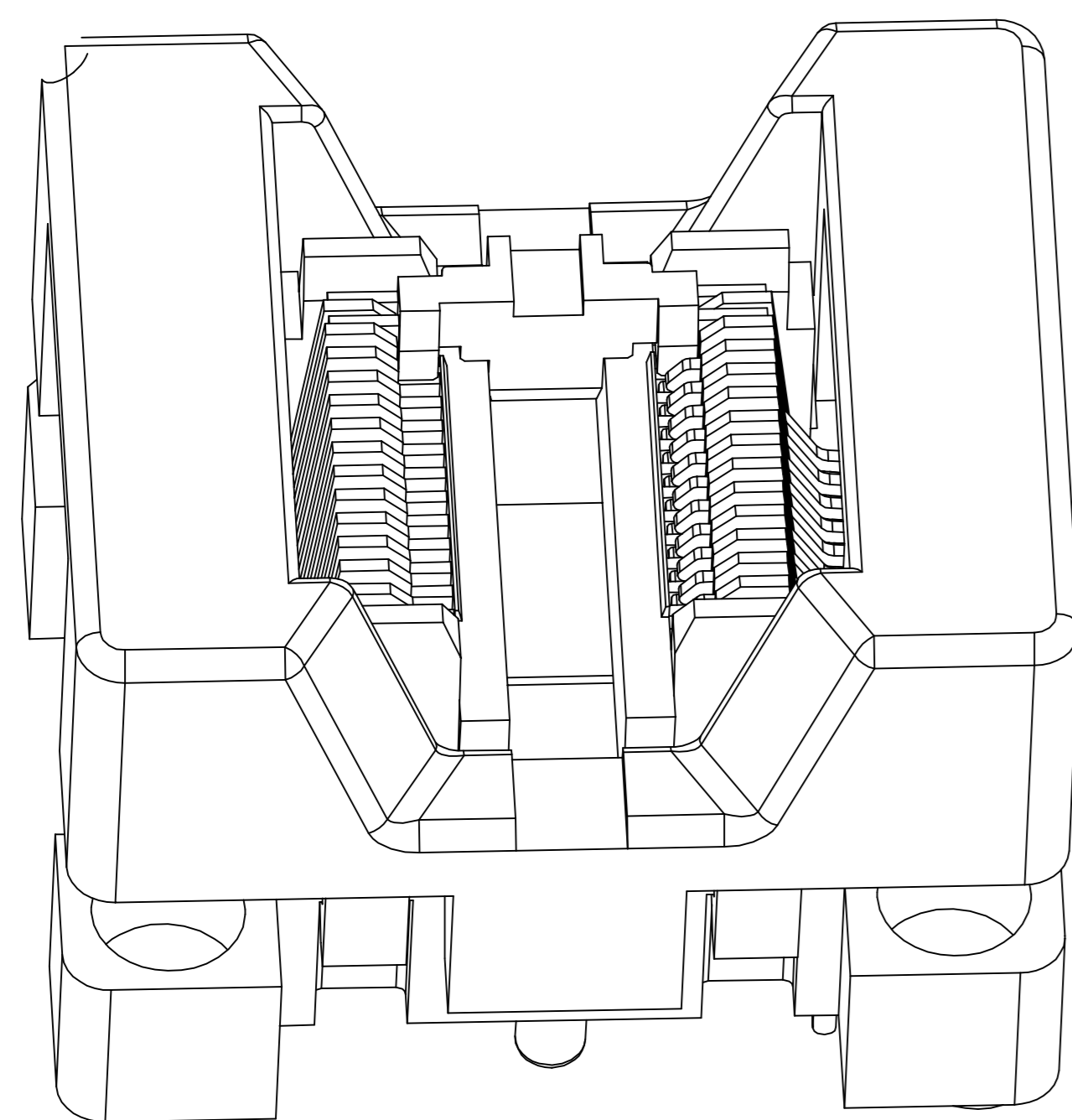
1. Insulation Resistance: 1000mΩ Min.At DC 500V
2. Dielectric Withstanding Voltage For 1 Minute At AC 700V
3. Contact Resistance 30mΩ MAX. at 10mA and 20mV MAX.(Initial)
4. Current Rating: 1A max.
5. Operation Temperature -55°C ~+175°C
6. Life Span 15,000 Times (Mechanical)
7. Operation Force 1.0 Kg MAX

APPLICABLE IC



CONTACT LEAD W0.5XT0.3

SEC.A-A



No	Part Number	Name	Material	Q/ty	Note	TOLERANCE	PROJECTION	GENERAL TOLERANCES	TITLE	
5	SOP-28-U01-002	COVER	PEI/PES	1	BLACK	X. ± 0.50 X.X ± 0.25 X.XX ± 0.10 X.XXX ± 0.05		±0.10	SOP28-0.65 SOCKET	
4	30-B-4515X	SPRING	SUS	4	FOR COVER			R E V A	CLASS	SOP28-0.65-TP01NT
3	SOP-28-U01-001	BASE	PEI/PES	1	BLACK			SCALE: 1:1	DRW. NO	SOP-8/14/16/20/24/28-0.65-M02
2	SOP-28-MSBR-02	CONTACT	BeCu	14	Au PLATING			APP:	DATE:	
1	SOP-28-MSBR-01	CONTACT	BeCu	14	Au PLATING			CHECK:	DATE:	
								DEGK: ENG02	DATE: 20150727	