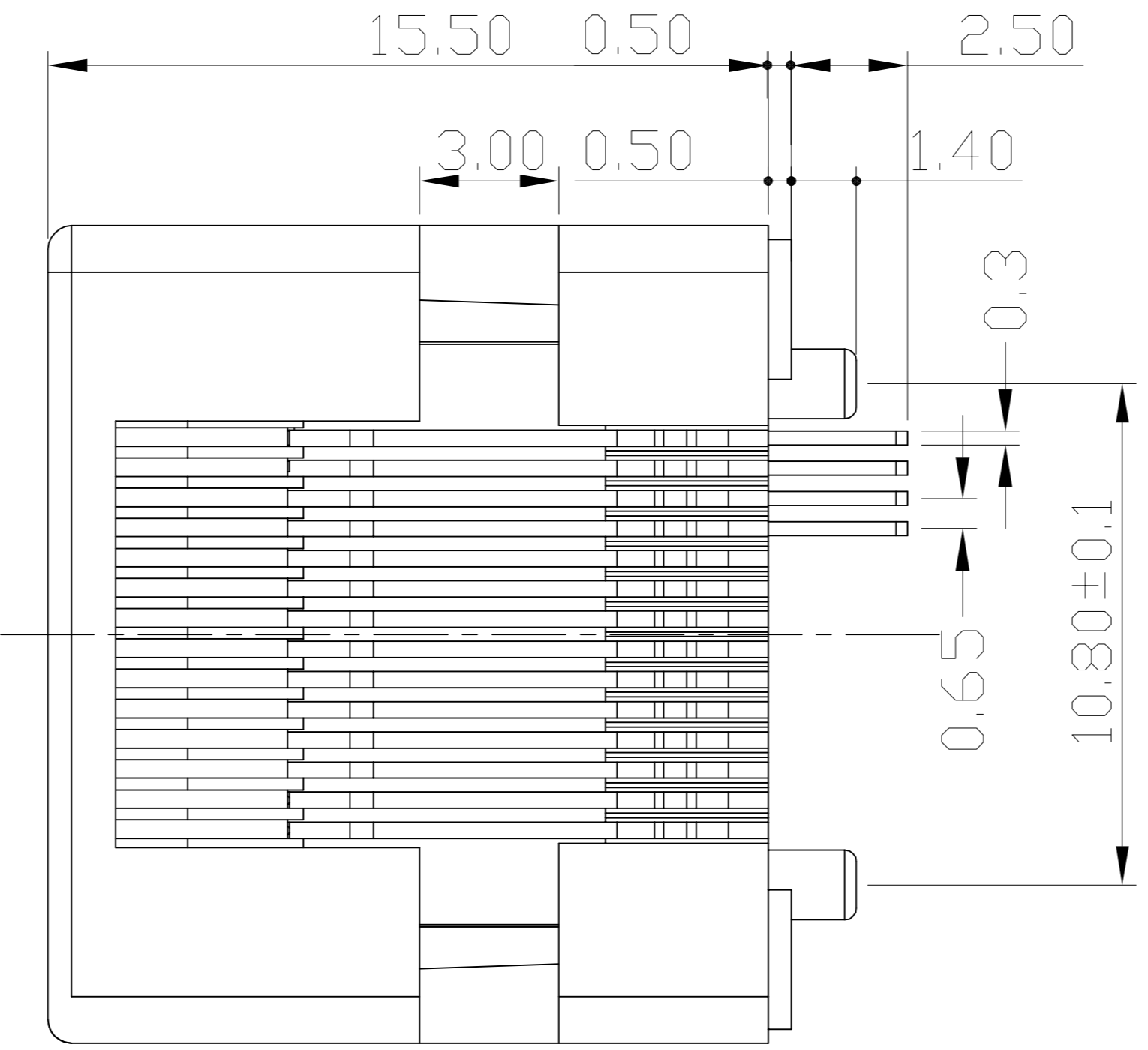
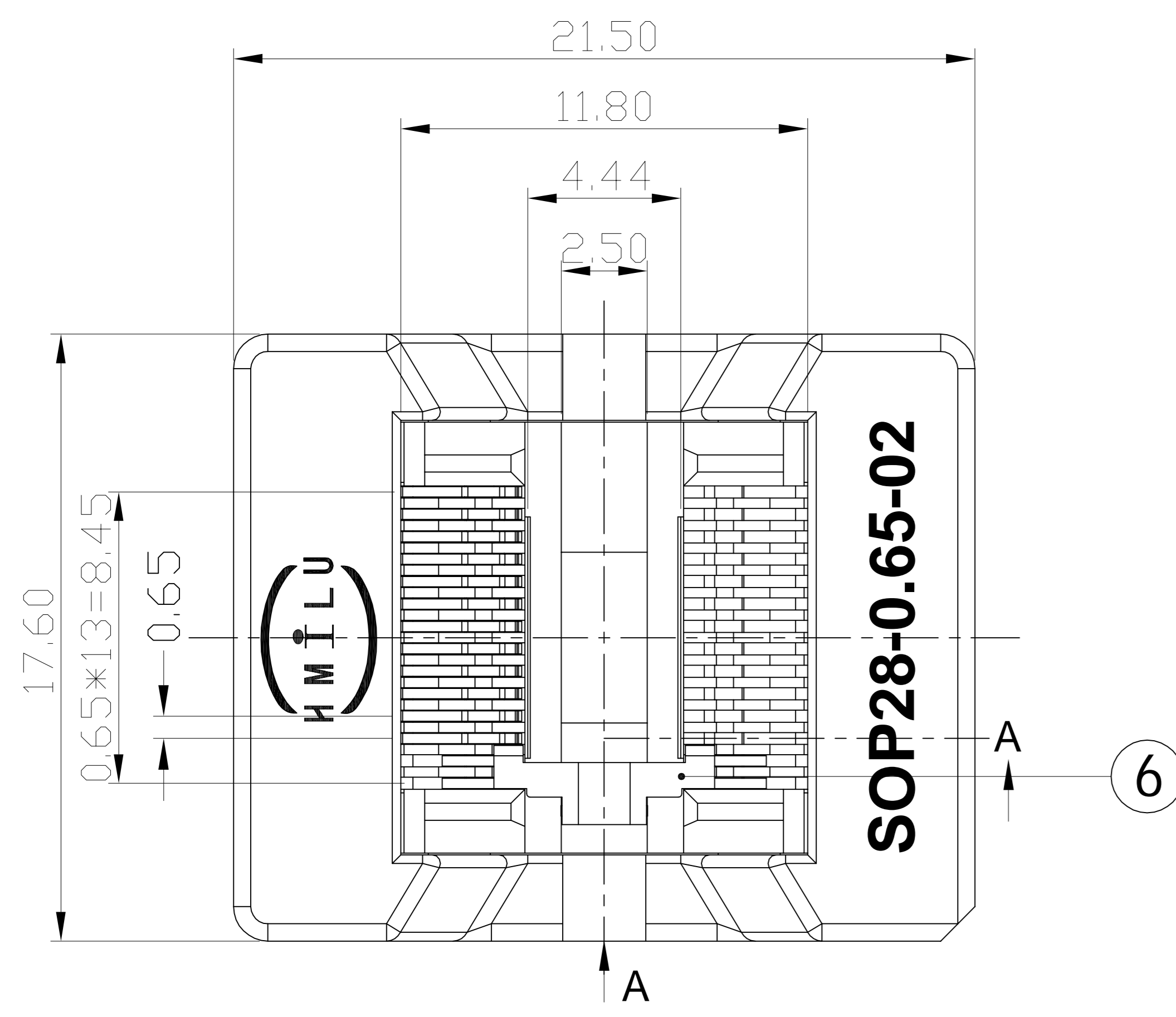
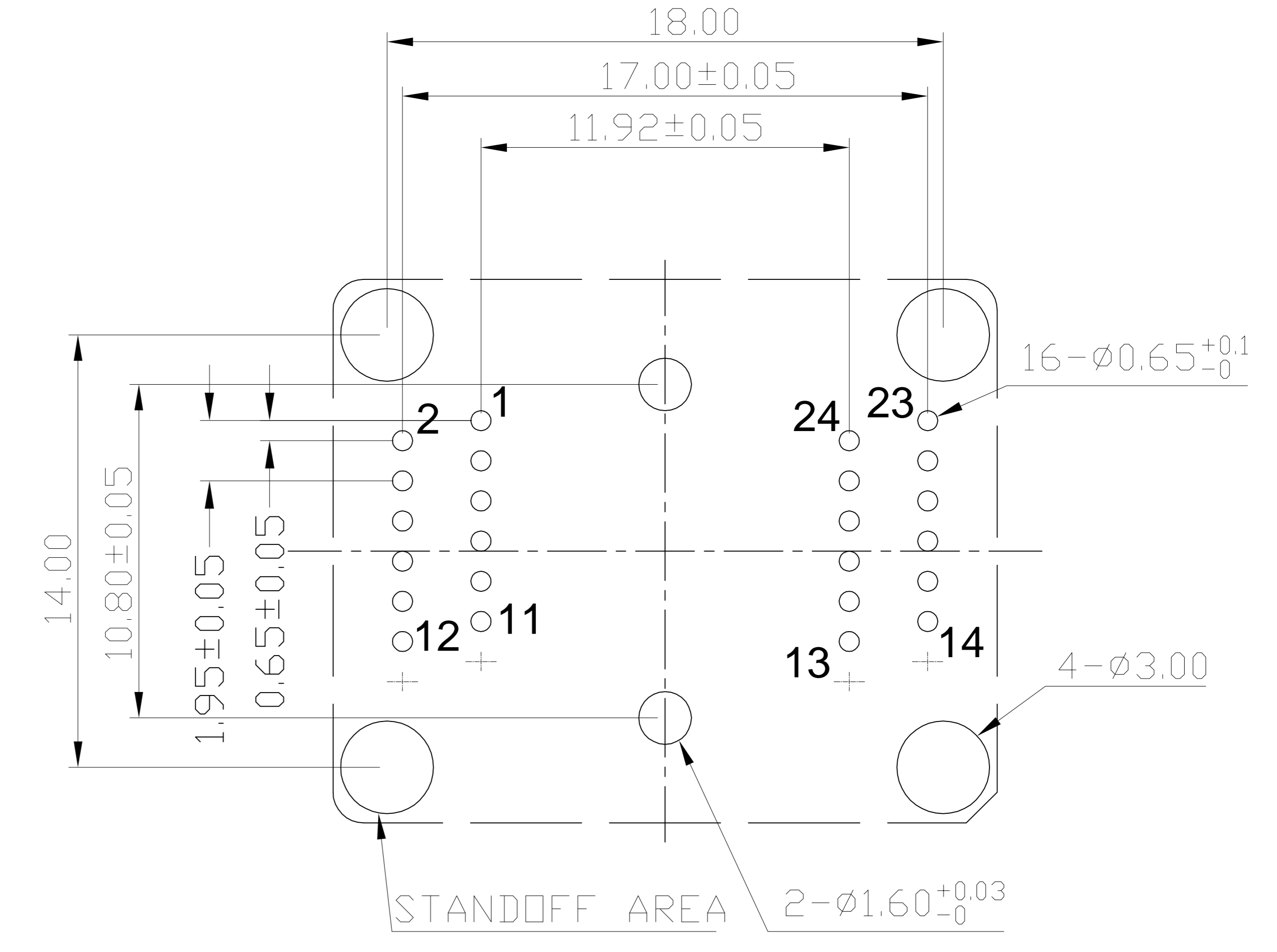


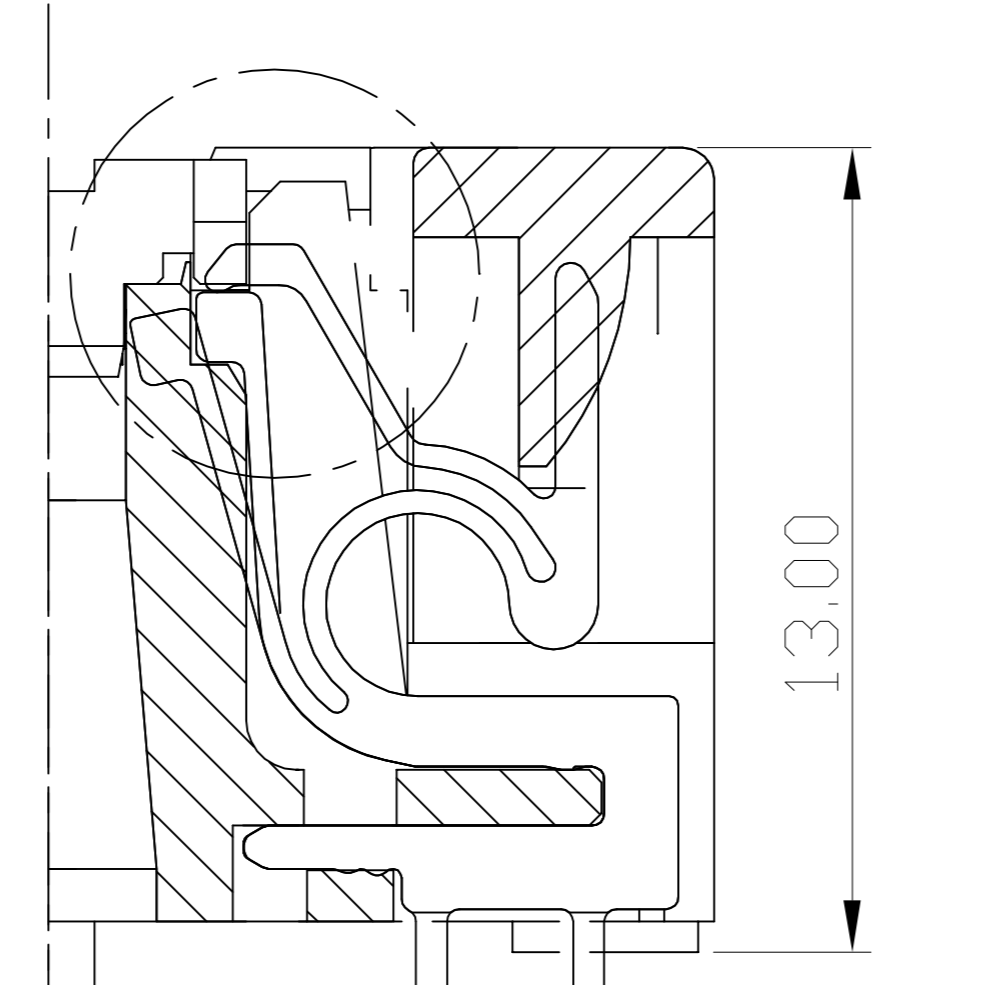
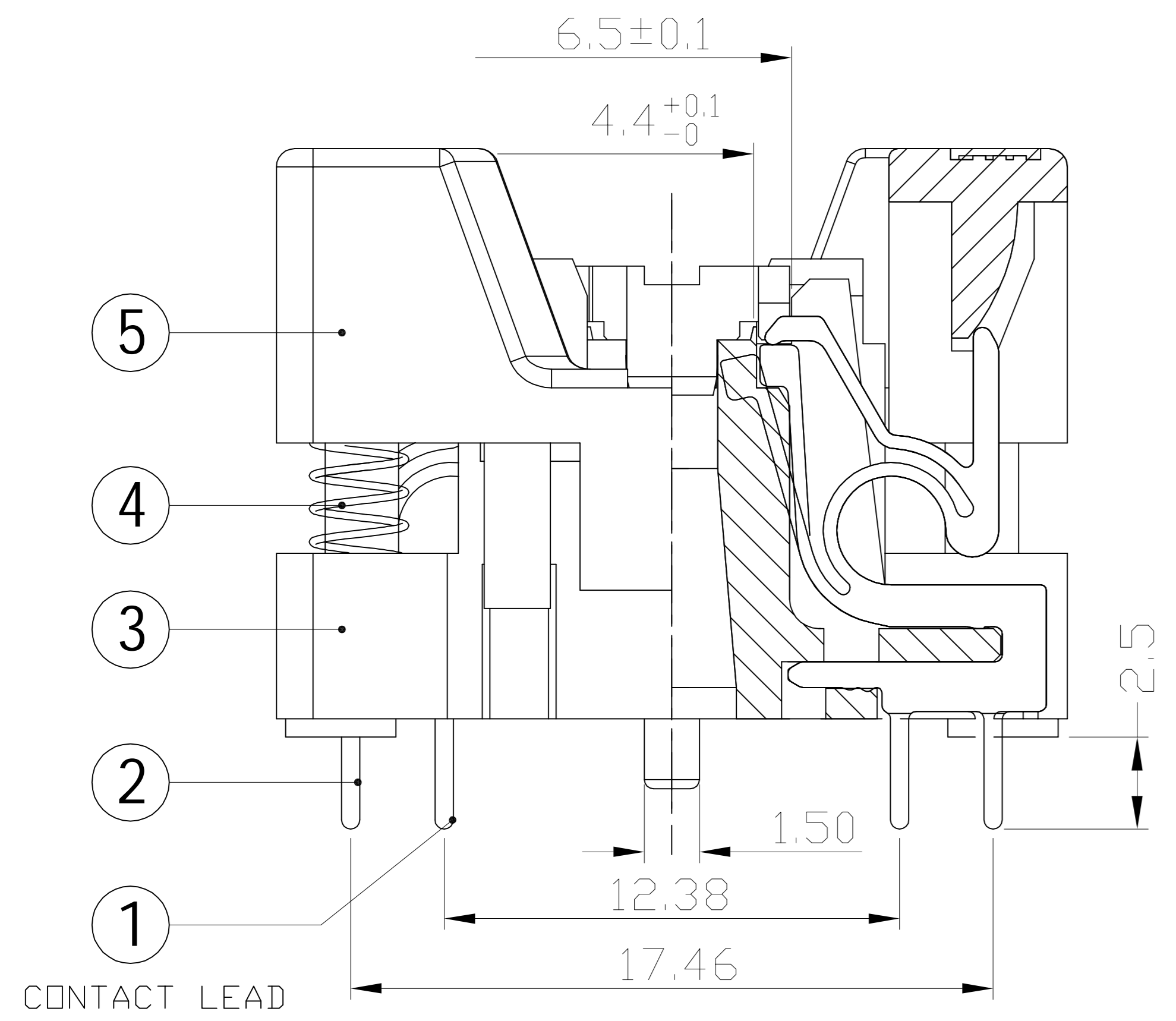
REVISION	DESCRIPTION	CHECK	APP	DATE	REV. NOTICE. NO
1					
2					
3					



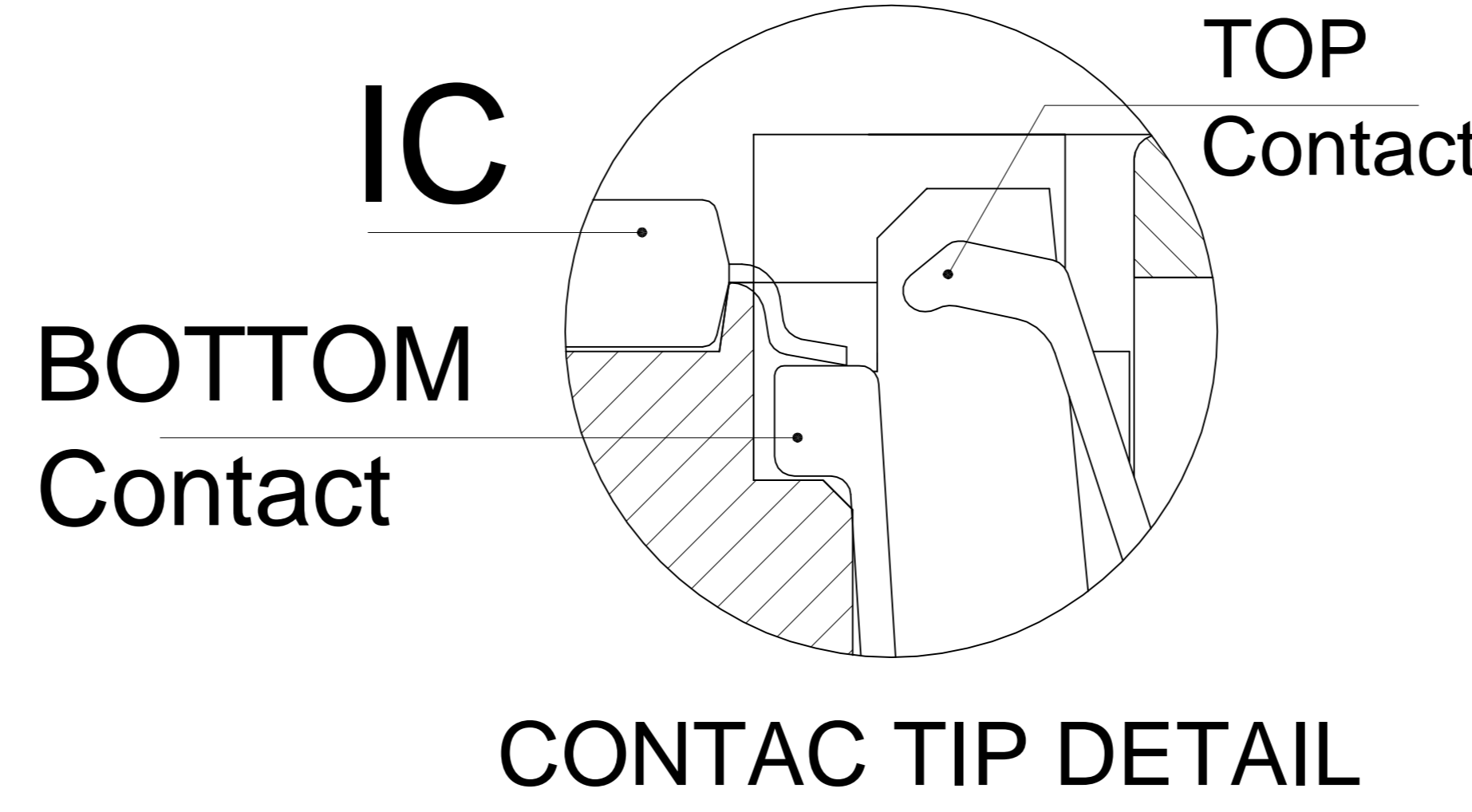
PCB PATTERN (TOP VIEW)



Insertion



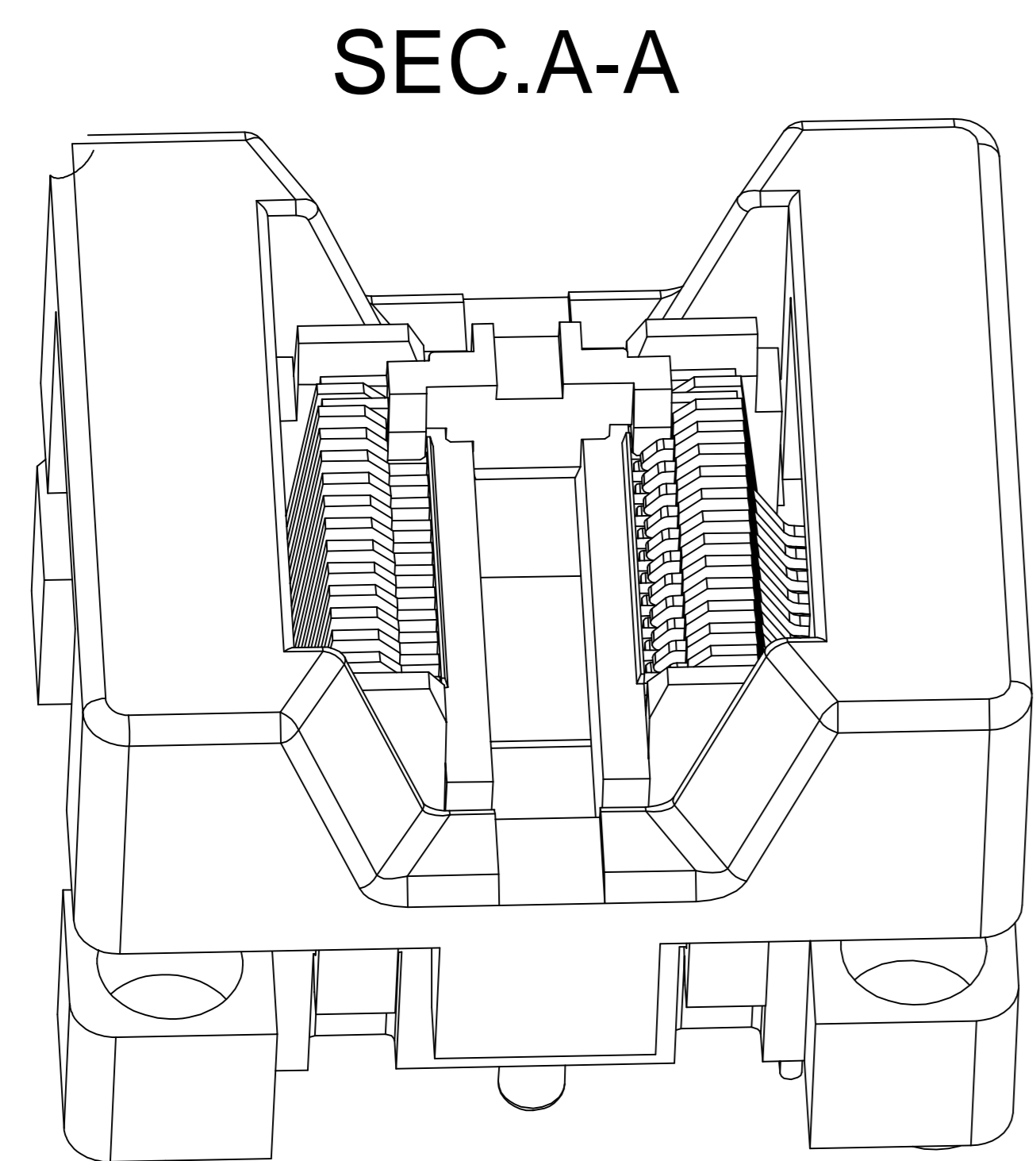
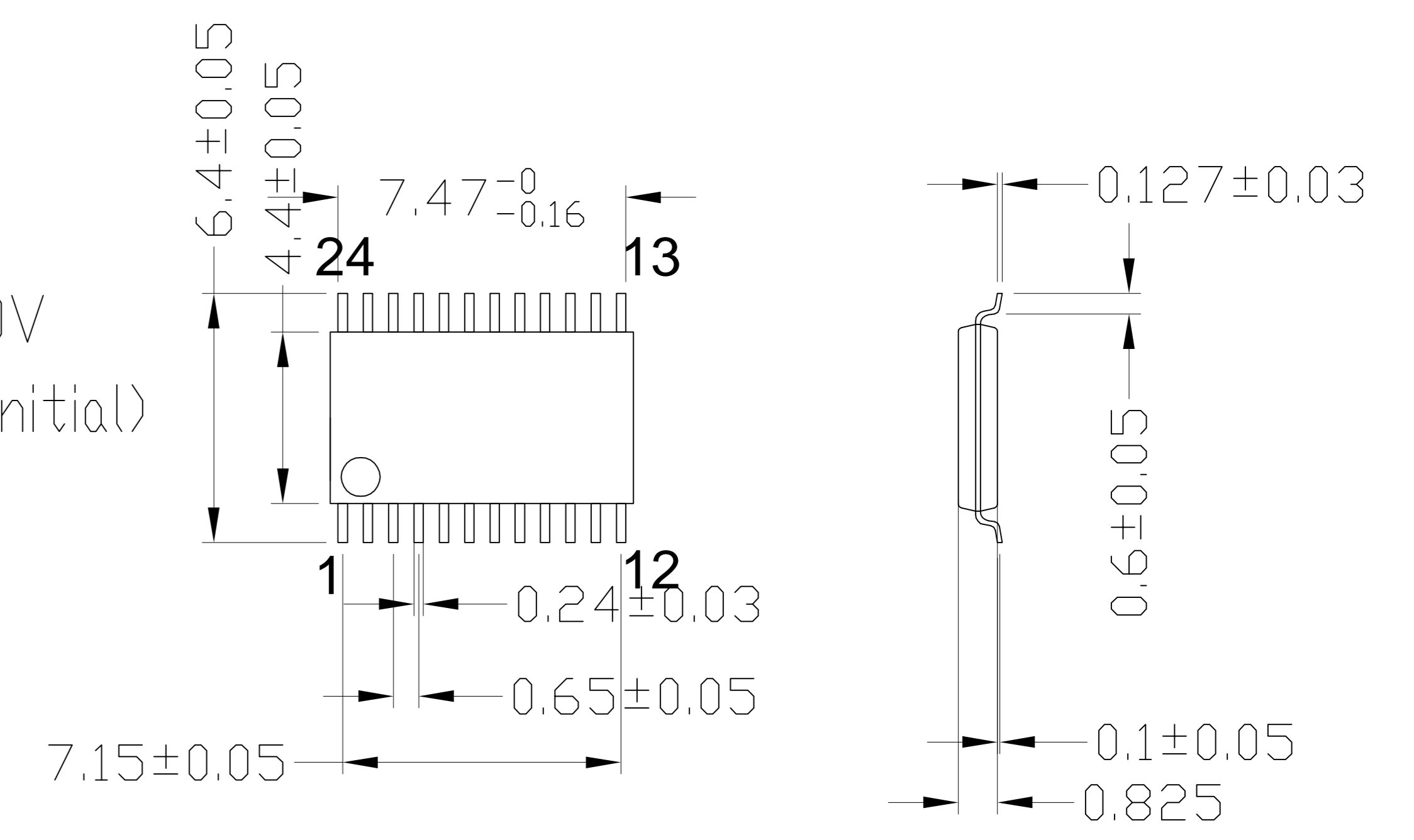
SEC.A-A Contact Retracted



PERFORMANCE

1. Insulation Resistance: 1000mΩ Min.At DC 500V
2. Dielectric Withstanding Voltage For 1 Minute At AC 700V
3. Contact Resistance 30mΩ MAX. at 10mA and 20mV MAX.(Initial)
4. Current Rating: 1A max.
5. Operation Temperature -55°C ~+175°C
6. Life Span 15,000 Times (Mechanical)
7. Operation Force 1.0 Kg MAX

APPLICABLE IC



No	Part Number	Name	Material	Q/ty	Note	TOLERANCE	PROJECTION	GENERAL TOLERANCES	REV	TITLE
6	SDP-28-U01-003	ADAPTER	PEI/PES	1	BLACK			±0.10		SOP28-0.65 SOCKET
5	SDP-28-U01-002	COVER	PEI/PES	1	BLACK					SOP24(28)-0.65-TP04NT
4	30-B-4515X	SPRING	SUS	4	FOR COVER	X. ± 0.50	DIMENSION: mm	SCALE: 1:1		DRW. NO SOP-8/14/16/20/24/28-0.65-M02
3	SDP-28-U01-001	BASE	PEI/PES	1	BLACK	X. X ± 0.25	APP:	DATE:		
2	SDP-28-MSBR-02	CONTACT	BeCu	12	Au PLATING	X. XX ± 0.10	CHECK:	DATE:		
1	SDP-28-MSBR-01	CONTACT	BeCu	12	Au PLATING	X. XXX ± 0.05	DEGK: ENG02	DATE: 20150727		