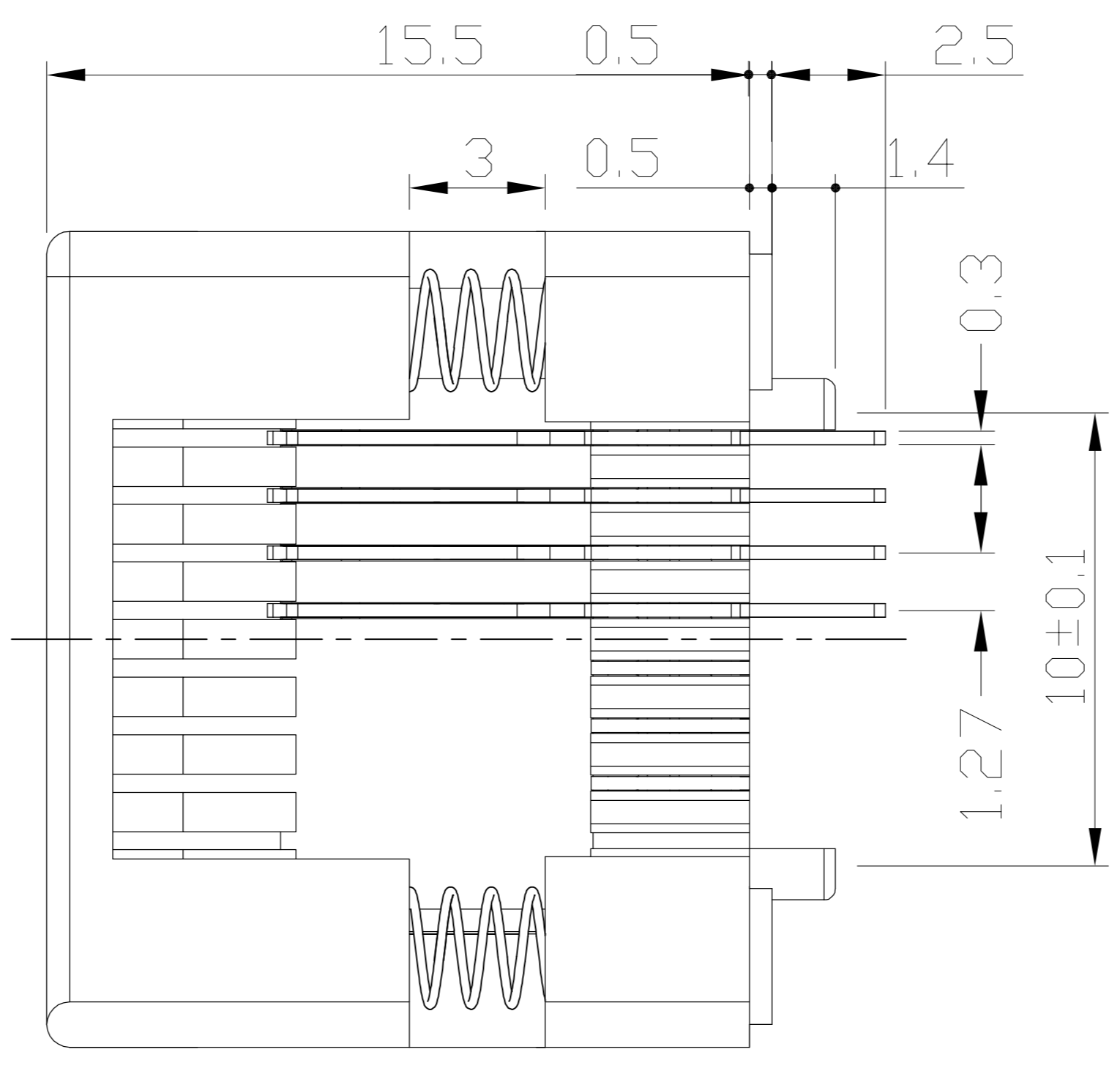
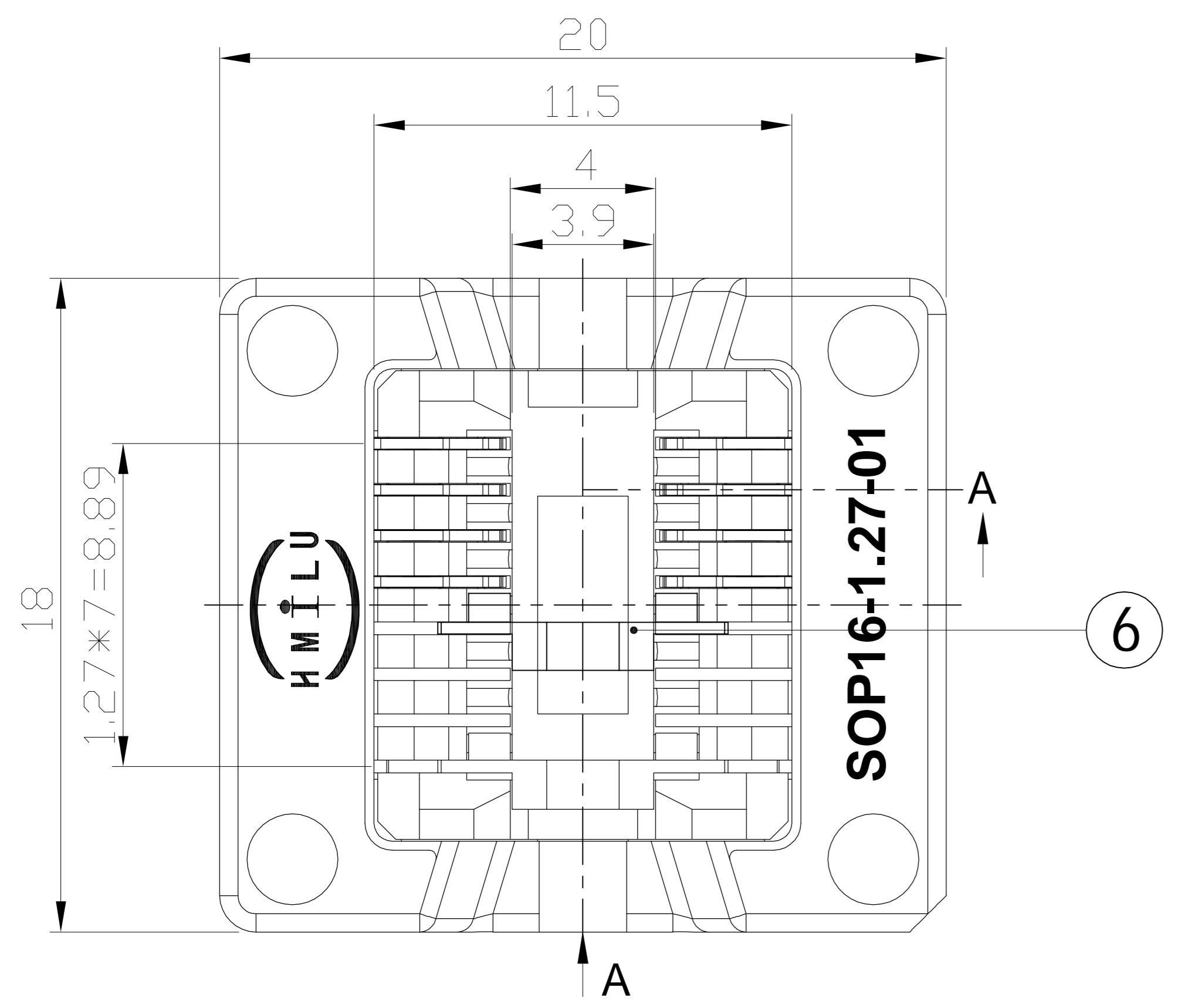
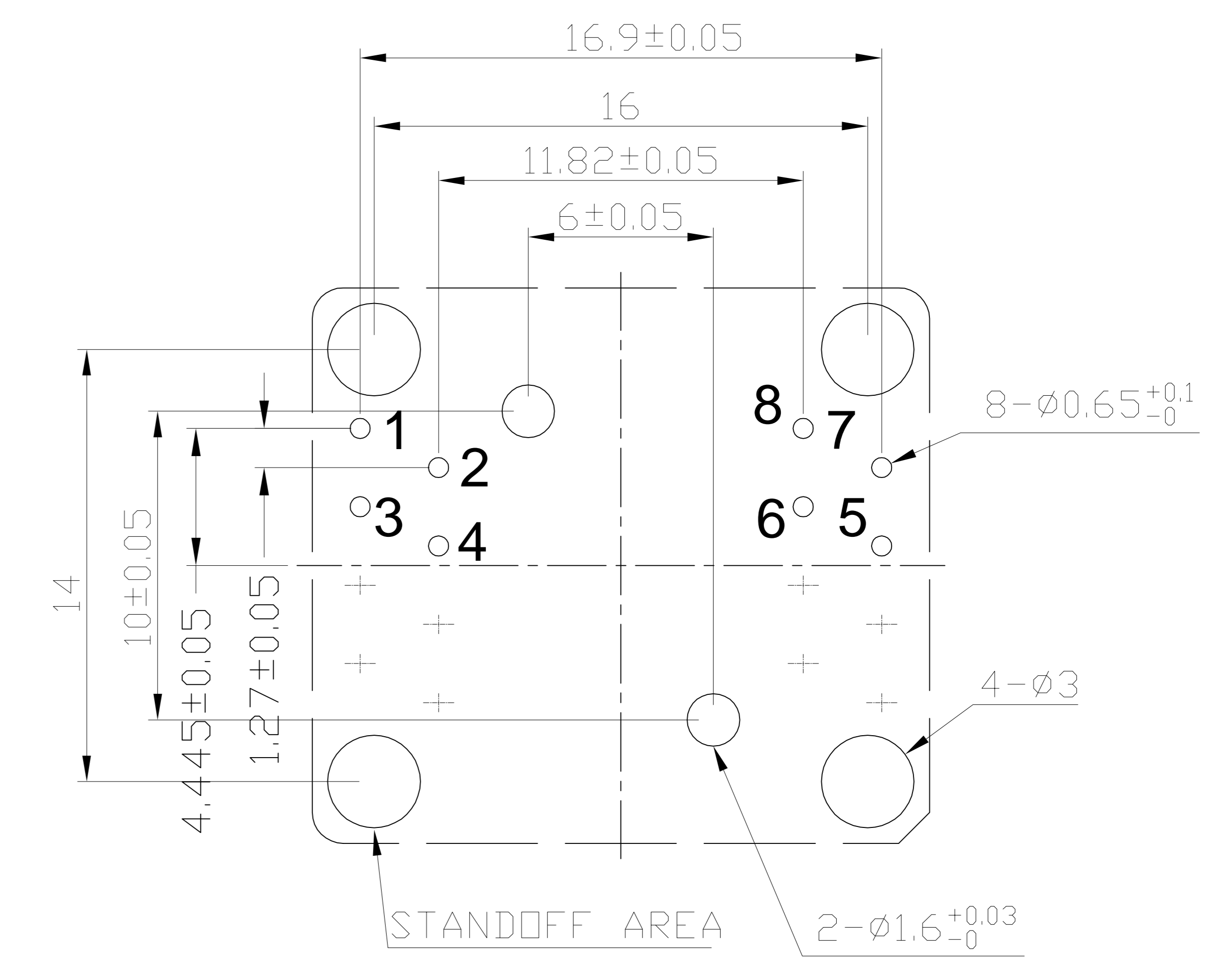


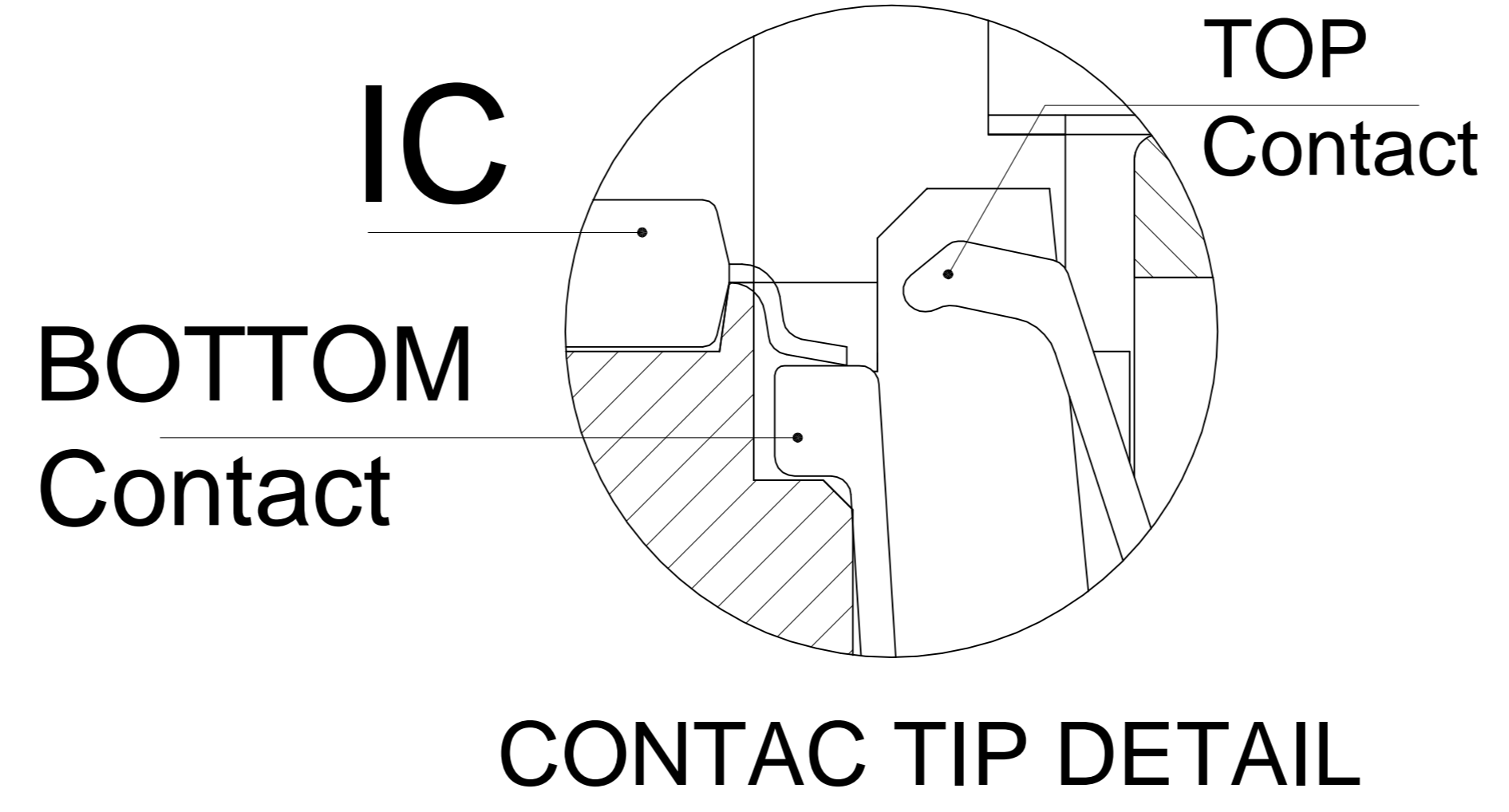
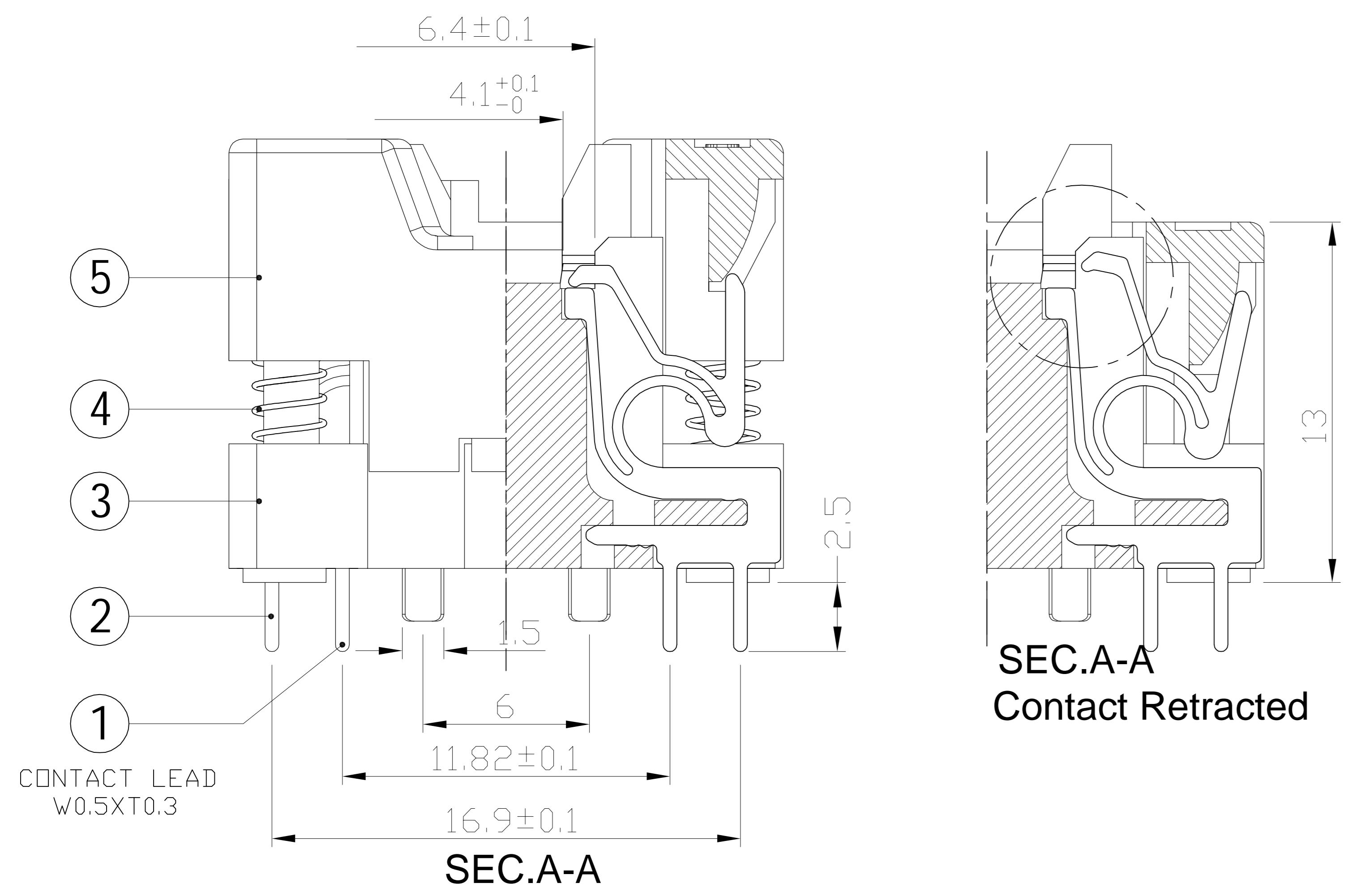
REVISION	DESCRIPTION	CHECK	APP	DATE	REV. NOTICE. NO
△ 1					
△ 2					
△ 3					



PCB PATTERN (TOP VIEW)



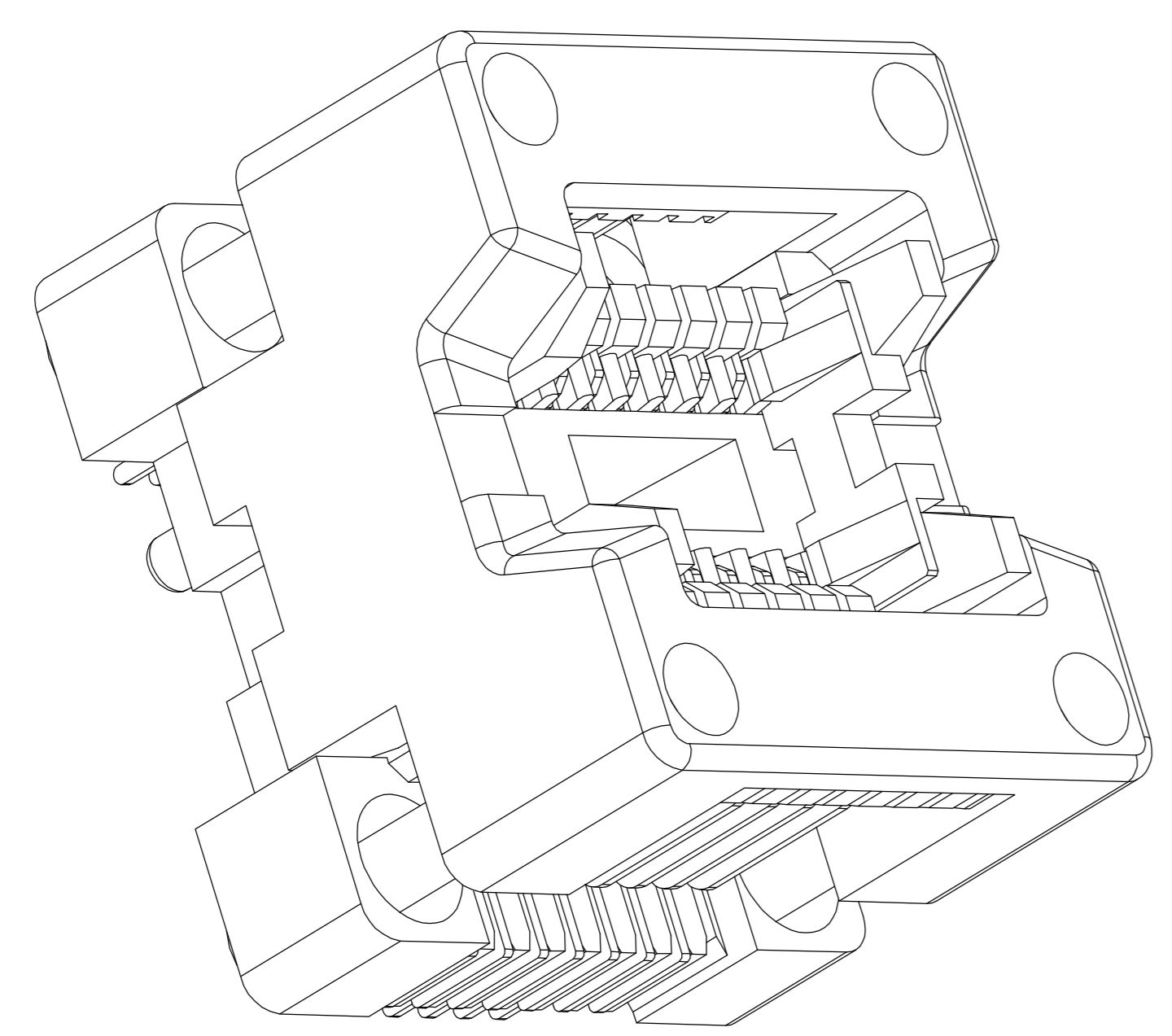
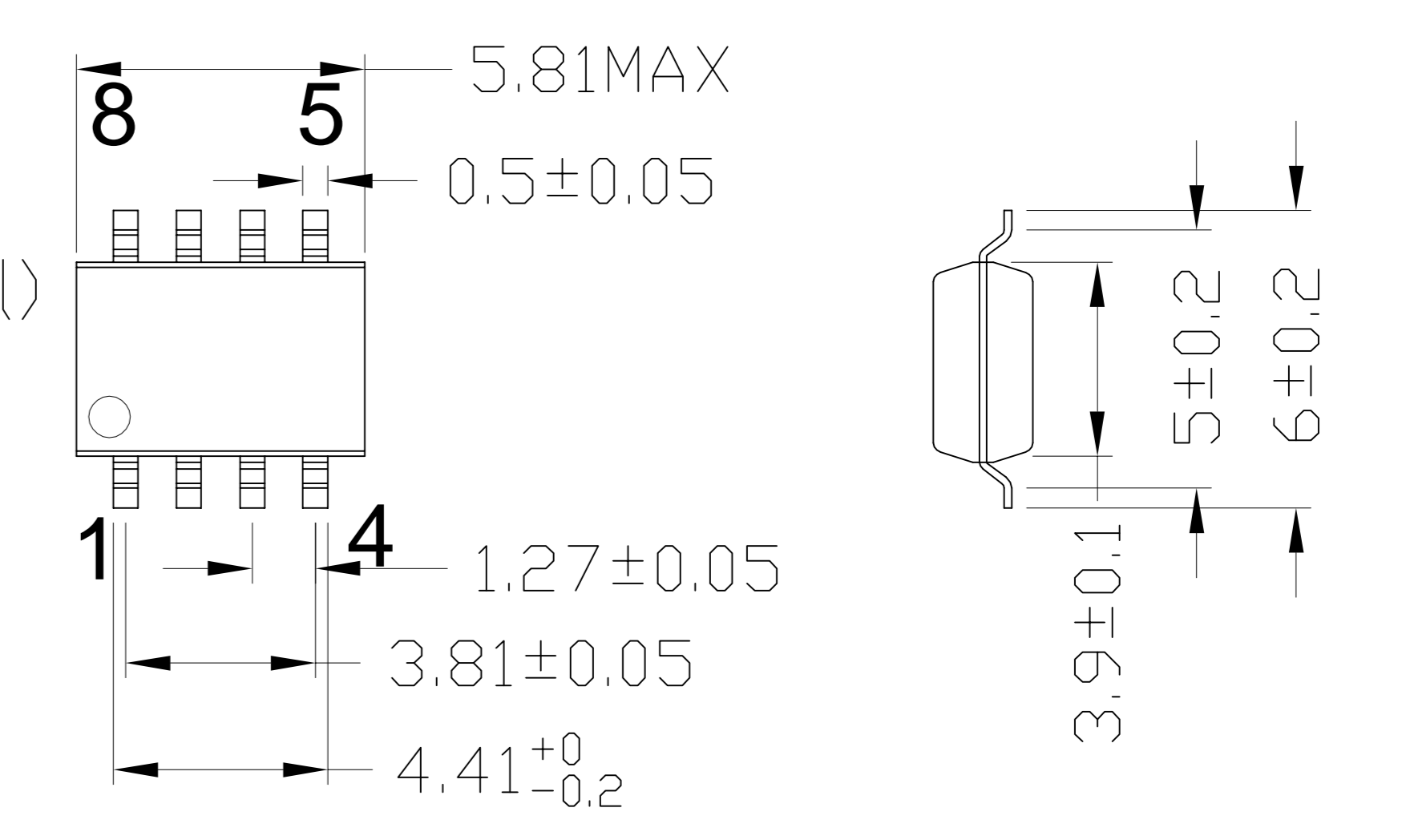
Insertion



PERFORMANCE

1. Insulation Resistance: 1000mΩ Min.At DC 500V
2. Dielectric Withstanding Voltage For 1 Minute At AC 700V
3. Contact Resistance 30mΩ MAX. at 10mA and 20mV MAX.(Initial)
4. Current Rating: 1A max.
5. Operation Temperature -55°C ~+175°C
6. Life Span 15,000 Times (Mechanical)
7. Operation Force 1.0 Kg MAX

APPL ICABLE IC



6	SDP-16-U01-003	ADAPTER	PEI/PES	1	BLACK	TOLERANCE	PROJECTION		GENERAL TOLERANCES	±0.10	TITLE	SOP16-1.27 SOCKET
5	SDP-16-U01-002	COVER	PEI/PES	1	BLACK				REV	A	CLASS	SOP8(16)-1.27-TP02NT
4	30-B-4515X	SPRING	SUS	4	FOR COVER				SCALE:	1:1	DRW. NO	SOP-8/16-1.27-S02
3	SDP-16-U01-001	BASE	PEI/PES	1	BLACK				APP:	DATE:		
2	SDP-16-MSBR-02	CONTACT	BeCu	4	Au PLATING	CHECK:	DATE:					
1	SDP-16-MSBR-01	CONTACT	BeCu	4	Au PLATING	DEGK:	ENG02	DATE:	20150606			
No	Part Number	Name	Material	Q/ty	Note	X.XXX ± 0.05						