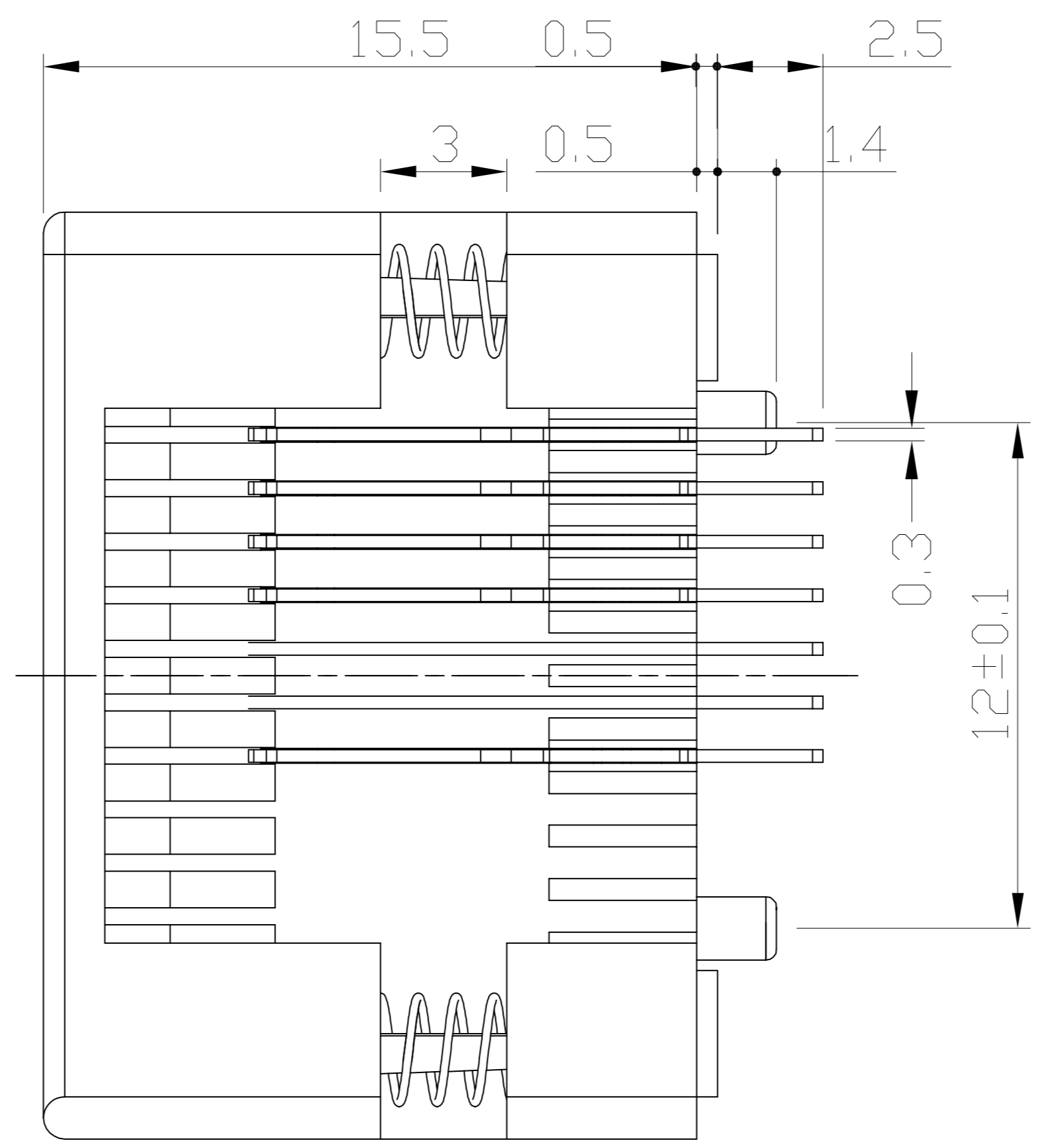
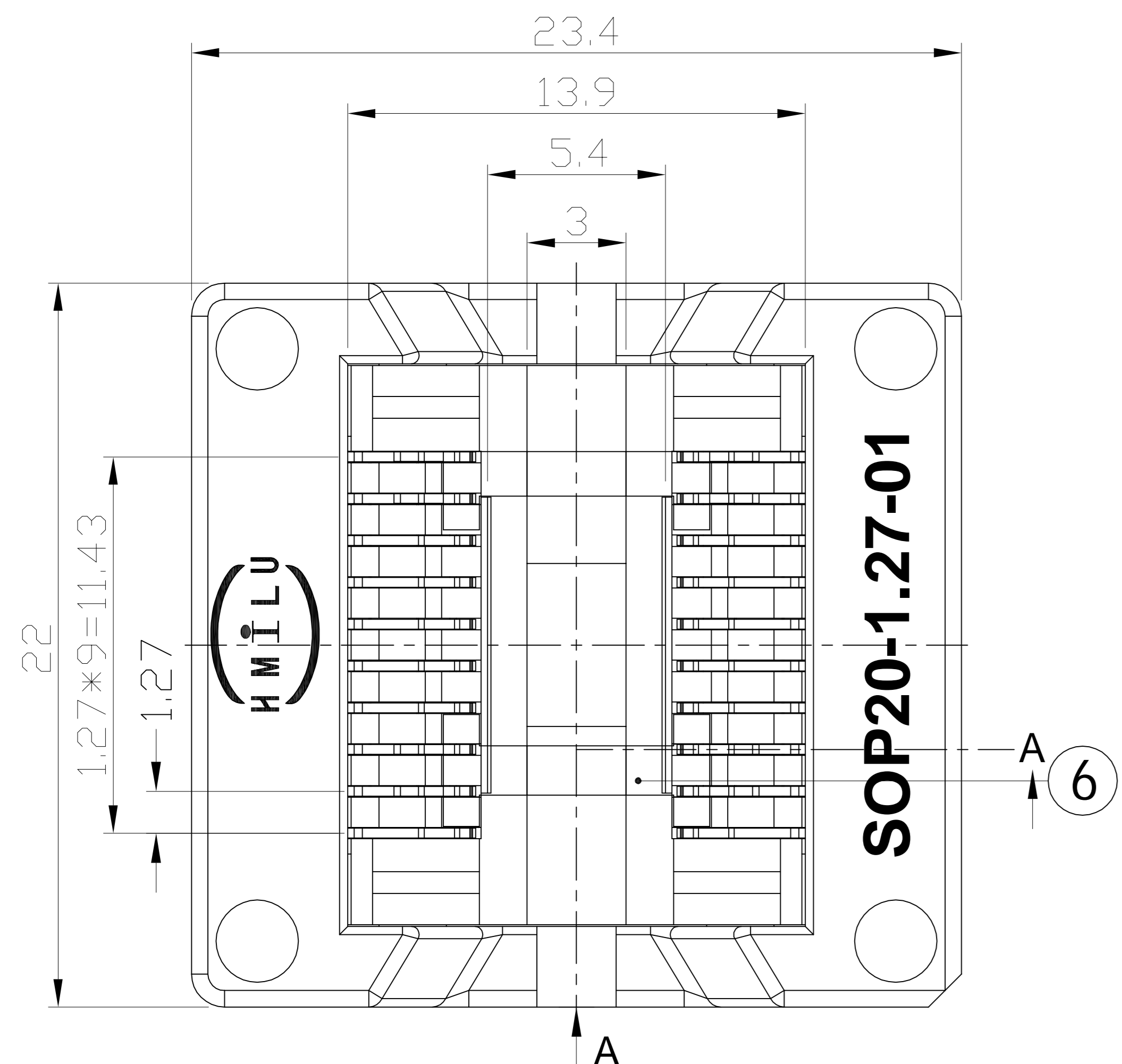
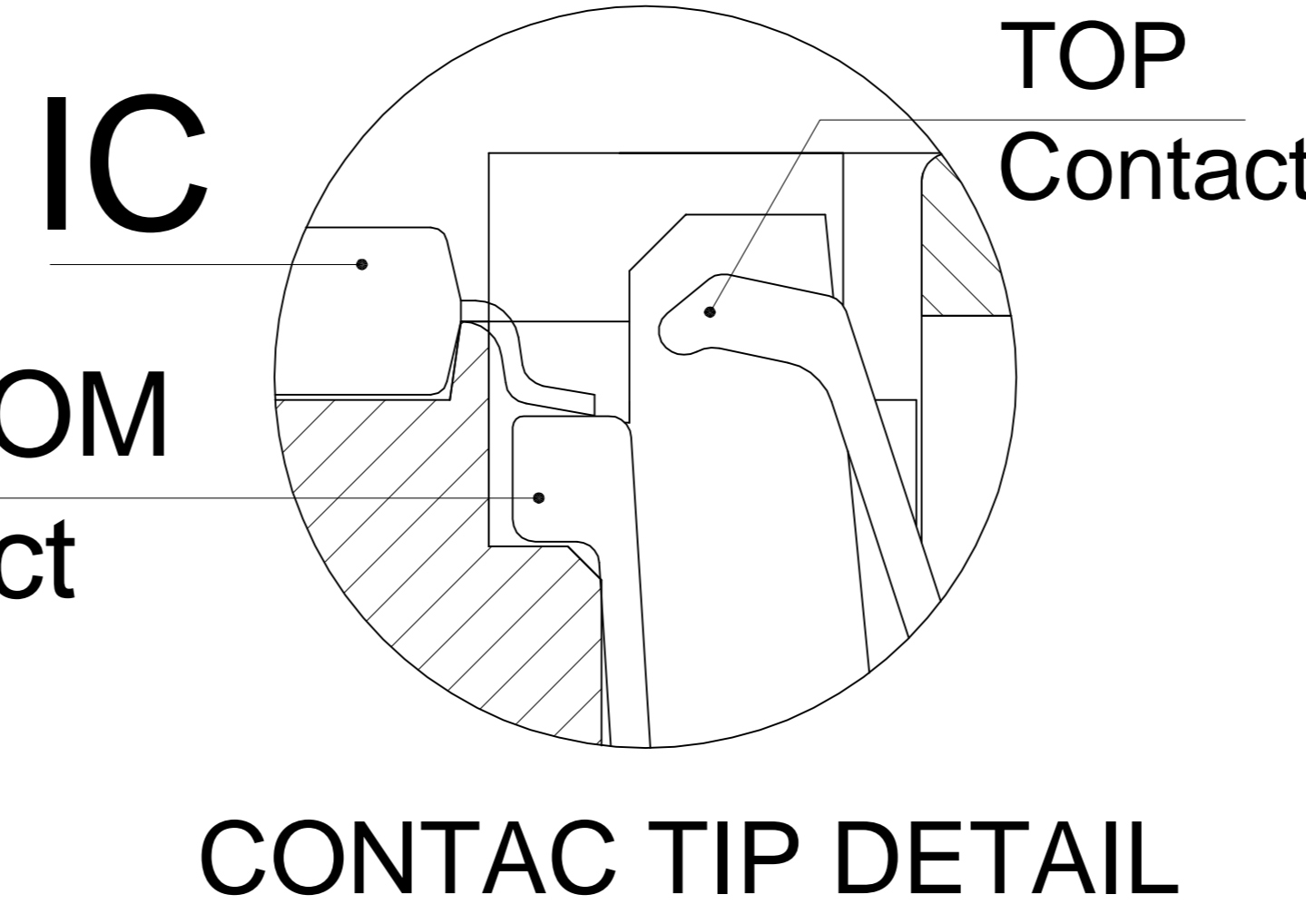
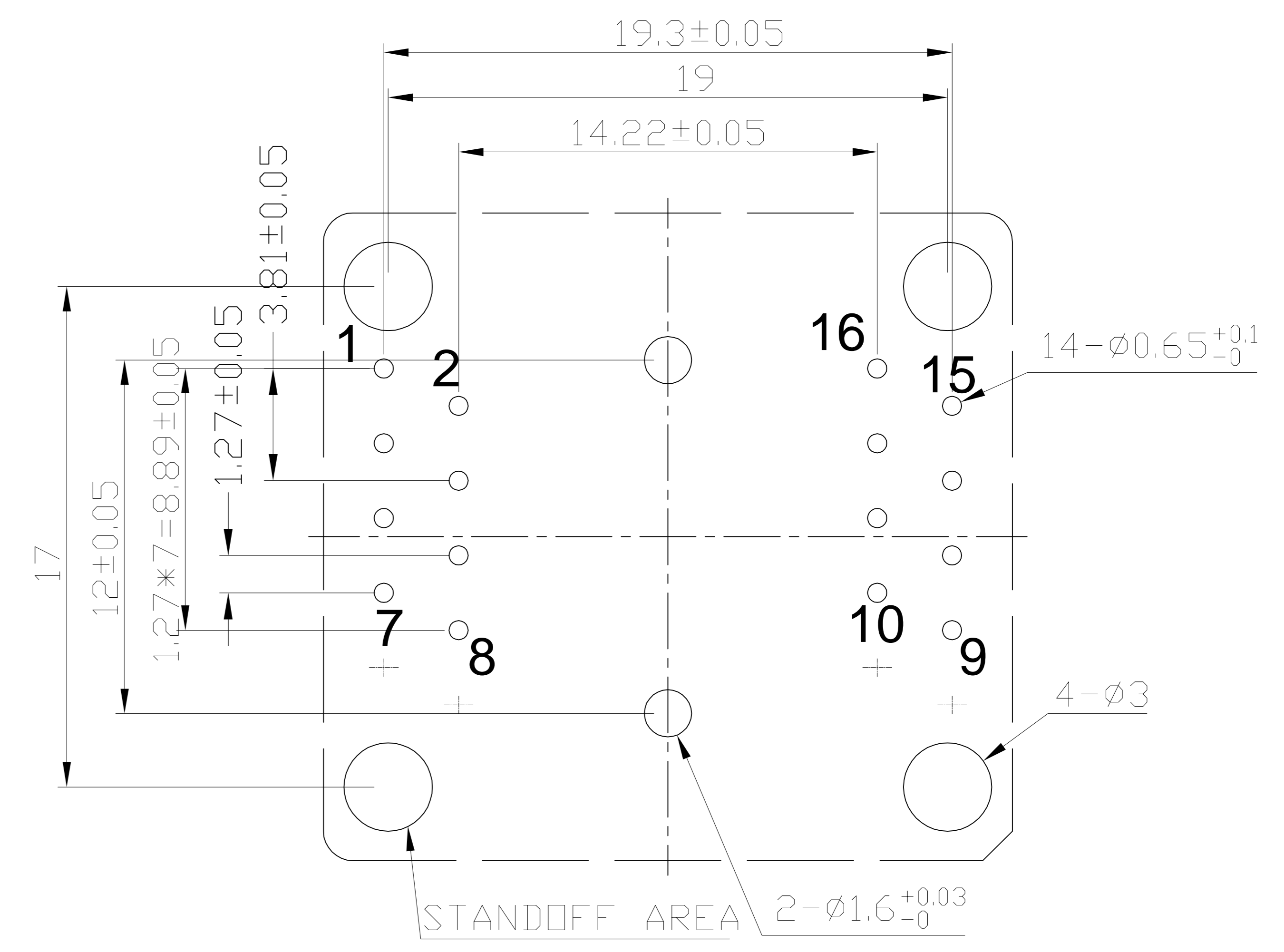


REVISION	DESCRIPTION	CHECK	APP	DATE	REV. NOTICE. NO
△ 1					
△ 2					
△ 3					



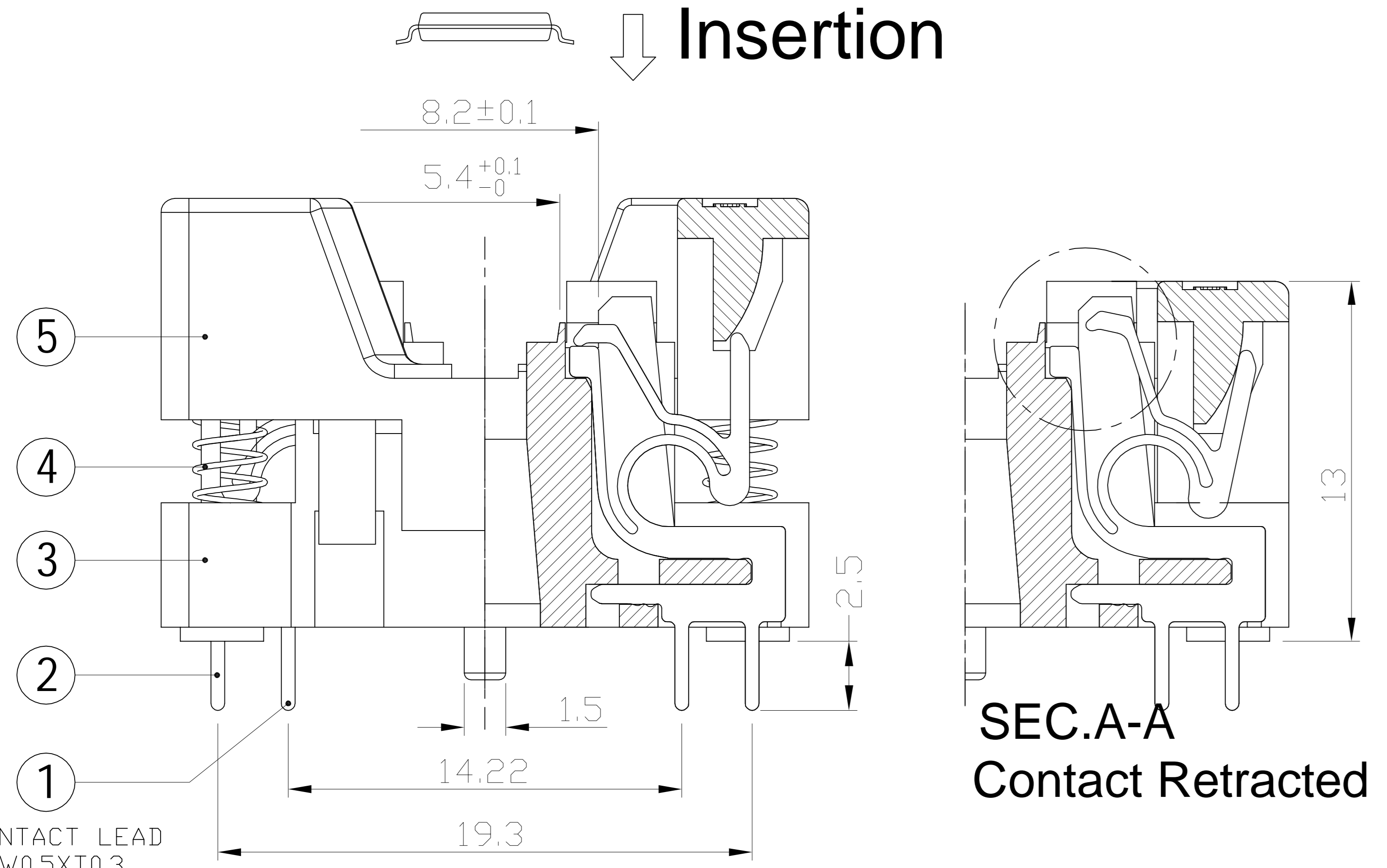
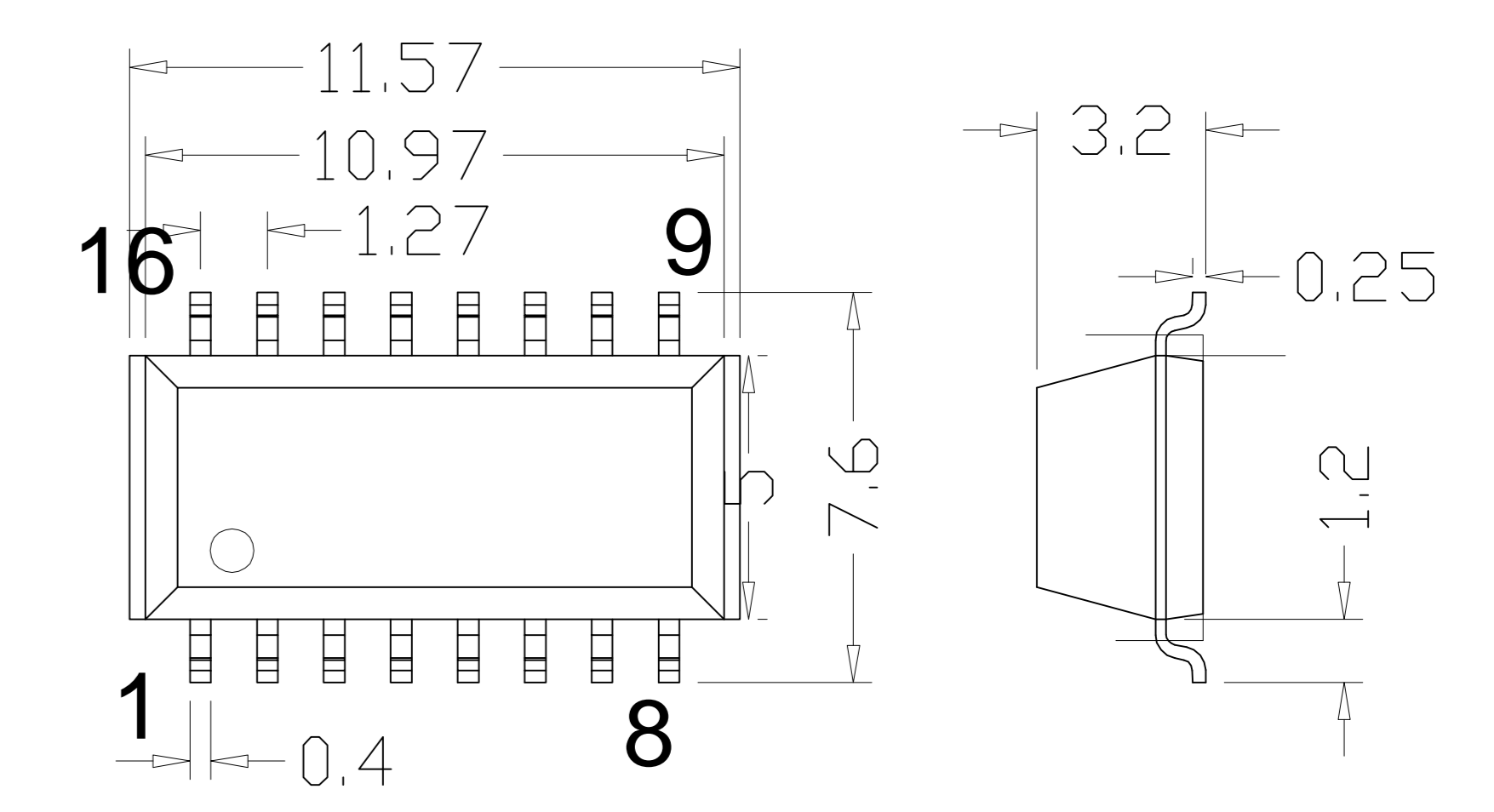
PCB PATTERN (TOP VIEW)



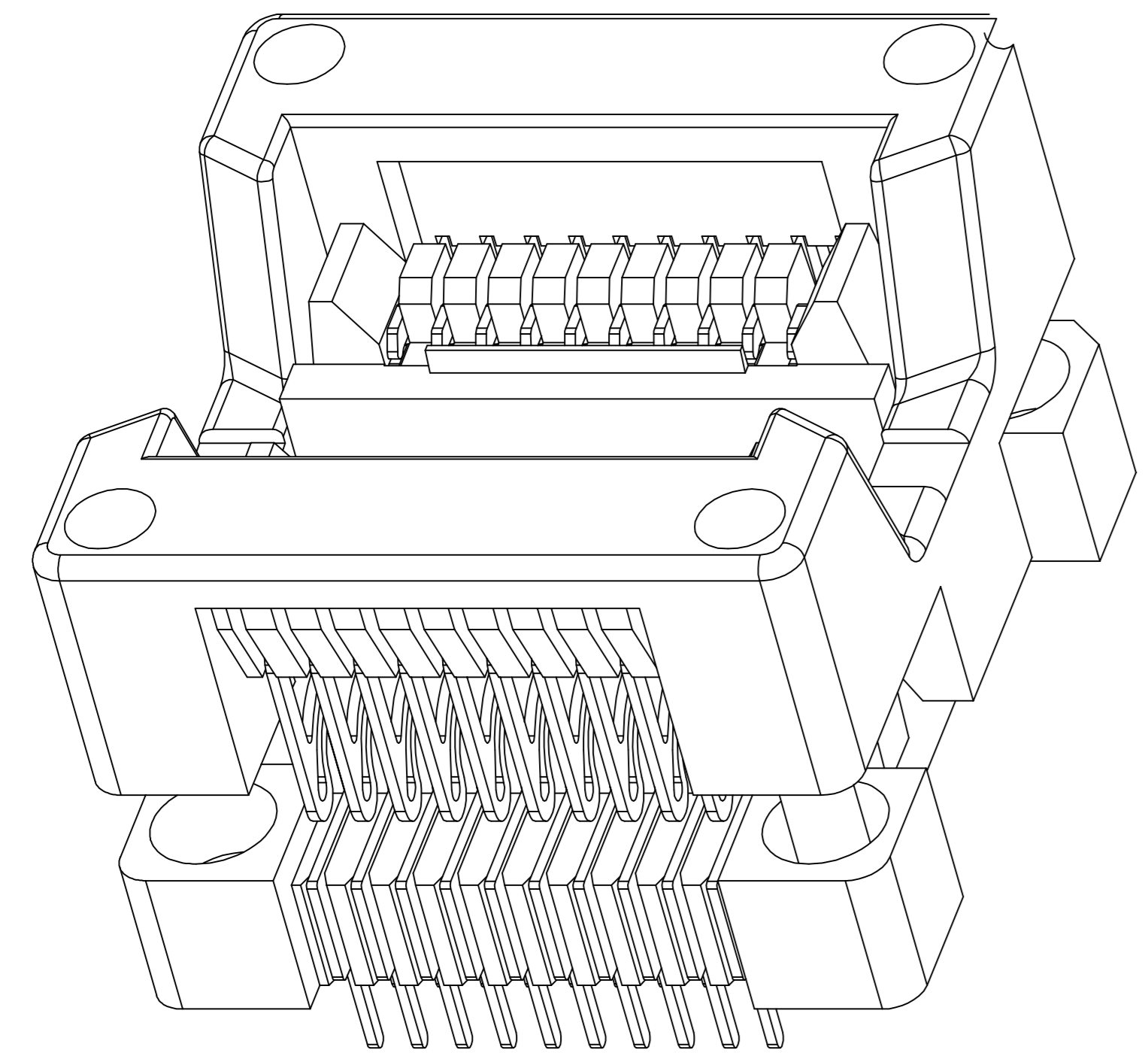
PERFORMANCE

1. Insulation Resistance: 1000mΩ Min.At DC 500V
2. Dielectric Withstanding Voltage For 1 Minute At AC 700V
3. Contact Resistance 30mΩ MAX. at 10mA and 20mV MAX.(Initial)
4. Current Rating: 1A max.
5. Operation Temperature -55°C ~+175°C
6. Life Span 15,000 Times (Mechanical)
7. Operation Force 1.0 Kg MAX

APPL ICABLE IC



SEC.A-A



6	SDP-20-U01-003	ADAPTER	PEI/PES	1	BLACK	TOLERANCE	PROJECTION		GENERAL TOLERANCES ±0.10	TITLE	SOP20-1.27 SOCKET						
5	SDP-20-U01-002	COVER	PEI/PES	1	BLACK						REV	A	CLASS	SOP16(20)-1.27-TP04NT			
4	30-B-4515X	SPRING	SUS	4	FOR COVER						X. ± 0.50	DIMENSION:	mm	SCALE:	1:1	DRW. NO	SOP-14/16/20-1.27-M03
3	SDP-20-U01-001	BASE	PEI/PES	1	BLACK						X.X ± 0.25	APP:		DATE:			
2	SDP-20-MSBR-02	CONTACT	BeCu	8	Au PLATING	X.XX ± 0.10	CHECK:		DATE:								
1	SDP-20-MSBR-01	CONTACT	BeCu	8	Au PLATING	X.XXX ± 0.05	DEGK:	ENG02	DATE:	20150606							
No	Part Number	Name	Material	Q/ty	Note												