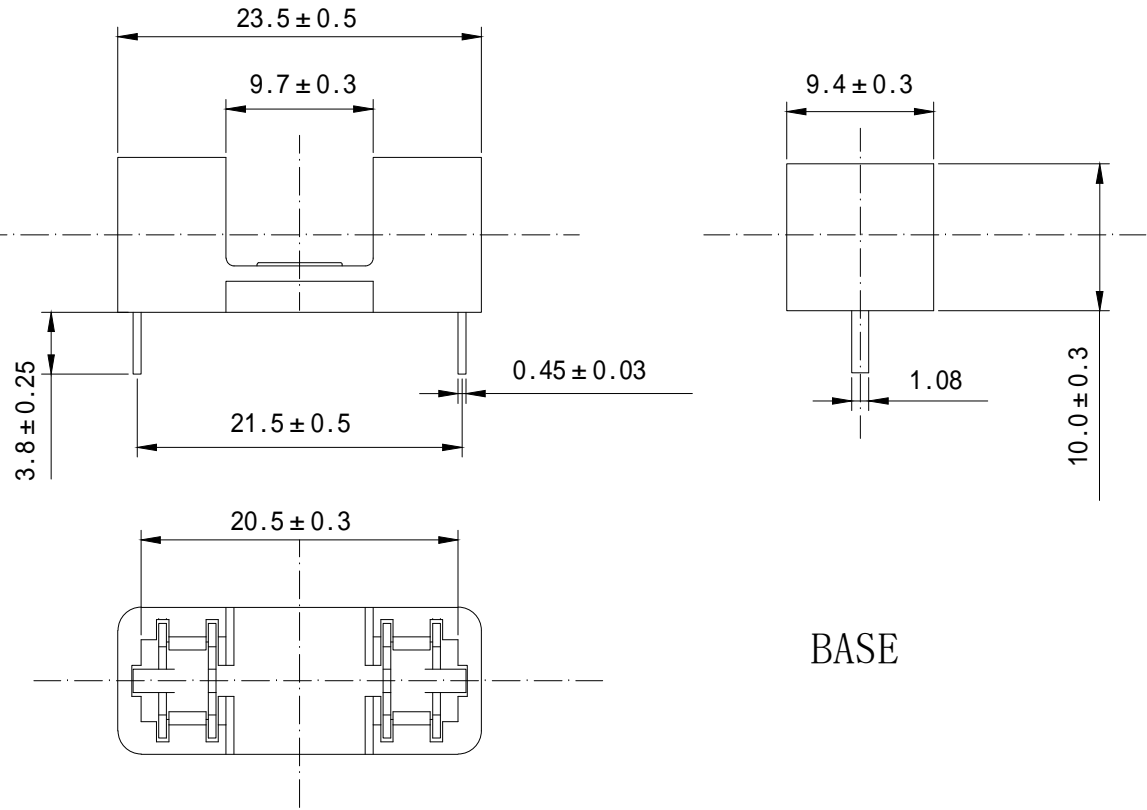


RoHS

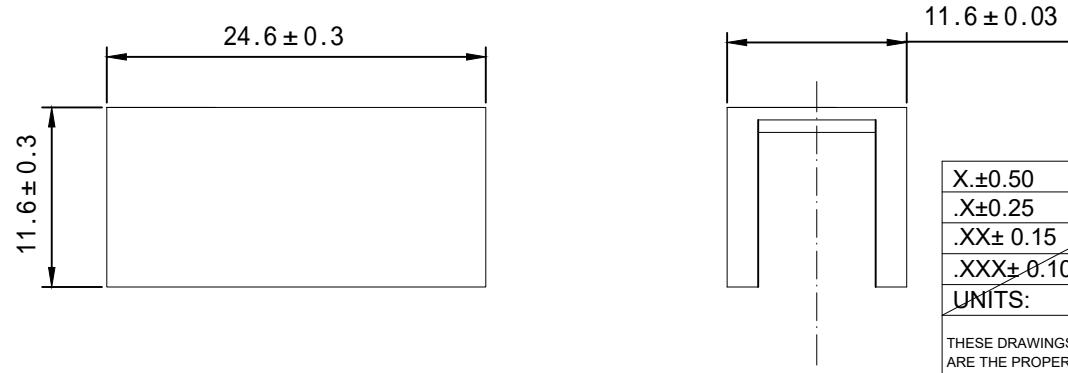
REV.	ECN NO.	DESCRIPTION	DESIGN	APPROVAL	DATE
A1	NEW	更换图框			2023.09.05



XF-001	
Compatible Fuses	5x20 mm
Electrical Specifications	Rated Voltage: 250 V
	Rated Current: 10 A
	Rated Power: 1.6 W
Materials	Molded Holder (Block) and Cover: Black VE PA6/66 (UL94 V-0)
	PCB Terminals: Tin plated brass
Protection Class & Category	PC1 (IEC 60127-6)
Contact Resistance	$\leq 5 \text{ m}\Omega$
Degree of Protection	IP 00
Ambient Temperature	-30 °C to 120 °C
Solder Pot Temperature	260 °C
Solder Dwell Time	10 seconds

BASE

COVER



X.±0.50	X.°±
.X±0.25	.X°±
.XX± 0.15	.XX°±
.XXX±0.10	.XXX°±
UNITS:	mm

THESE DRAWINGS AND SPECIFICATIONS ARE THE PROPERTY OF XFCN AND SHALL NOT BE REPRODUCED, COPIED OR CUED IN ANY MANNER WITHOUT THE PRIOR WRITTEN CONSENT OF XFCN

PART NO.:	XF-001	XFCN 兴飞连接器			
TITLE:	5x20mm PC FUSE HOLDER		0769-82001899		
			www.xfconn.com		
APPD:		DWG NO:	/		
CHKD:			SCALE	SHEET	REV.
DRAW: Tong.Deng	2023.09.05		NONE	1/1	A1