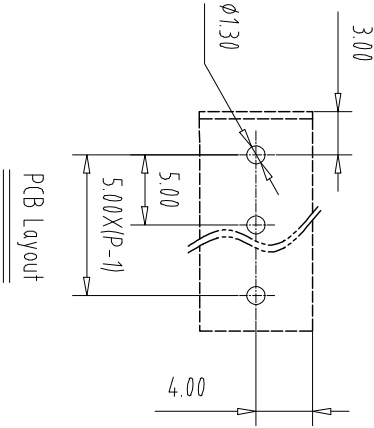
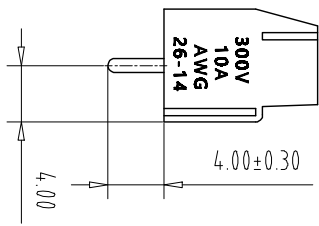
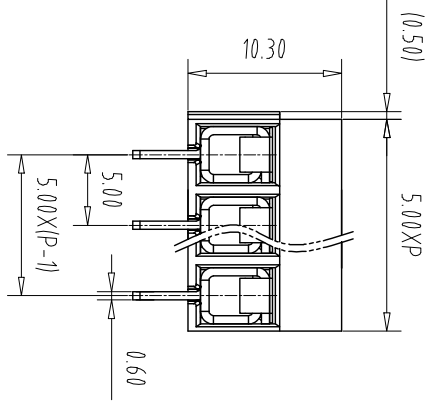
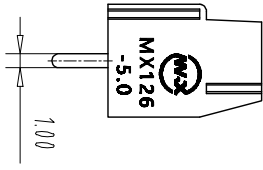
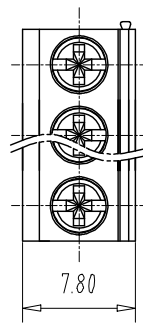


注：本板为禁止运输、复制、编辑文件，以及用其内容进行交流



REV	ECN NO.	CONTENT	CHK	DATE

- NOTES1:
 UL Standard
 1.Rating voltage/current: 300V//10A
 2.withstanding voltage: AC2000V//1Min
 3.Torque value: M2.5, 3.54Lbin
 4.Wire range: 26~14AWG
- IEC Standard

Pollution Degree	3	2	2
Overvoltage Category	III	III	II
Rate Impulse Voltage(KV)	/	/	/
Rate Voltage(V)	/	250V	/
Rate Current(A)	/	15A	/

- NOTES2:
 1.Housing: PA66(UL94V-0)
 2.Solder Pin: Copper alloy(Sn Plated)
 3.Spring: Stainless Steel
 4.Screw: Steel(M2.5,Zn Plated)

NOTES3:

- 1.Pitch: 5.0mm Poles: 02-24P
 2.Stripping length: 6-7mm
 3.Operating temperature: -40℃~+105℃
 4.RoHS Compliance

How to order

MX126 - 5.0 - XXP - XXXX - XX - X - X

产品型号 间距 颜色 板数

颜色: 01: 常规颜色
 灰色:GY 橙色:OE 02-99:
 蓝色:BU 红色:RD 定制颜色
 黑色:BK 透明色:TT
 绿色:GN 黄色:YW
 透明色:TT 白色:WE

A-Z其他定制
 0:Y一字螺丝
 1:S十字螺丝
 2:P.SS平头十字螺丝
 Cu轴方块
 Fe轴方块

Pitch Range In mm	Nominal Dimension Range In mm						-	0.1/10
	Over 6 TO	Over 10 TO	Over 24 TO	Over 30 TO	Over 60 TO	Over 100 TO		
±0.15	±0.20	±0.30	±0.30	±0.50	±0.70	±1.00	±1.30	±2°

ITEM	NAME OF PART	NO. OF PART	Q'TY	MATERIAL	NOTE
DWG	CHK	DATE	SCALE	SHEET/OF	1/1
APP	DATE		1:1	A4	
NAME				MX126-5.0-XXP	

DATE: 22.09.14

SCALE: 1:1

NAME: MX126-5.0-XXP

CXI MAXU ELECTRONICS CO.,LTD

MAXU 慈溪市迈旭电子有限公司