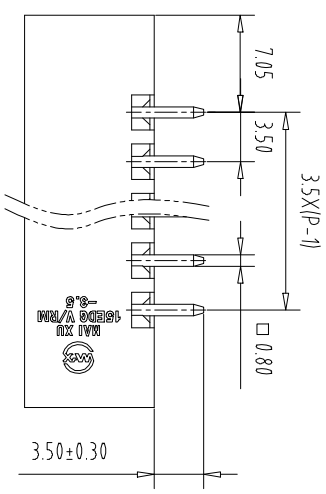


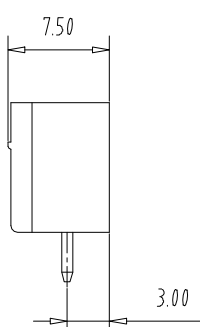
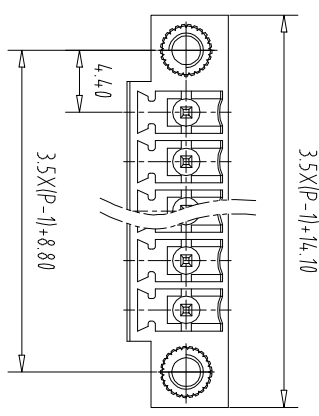
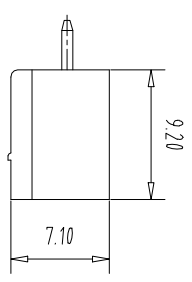
注: 本板为禁止运输、复制、翻印或修改, 以及用其内容进行交流

REV	ECN NO.	CONTENT	CHK	DATE
-----	---------	---------	-----	------



NOTES1:  
 UL Standard  
 1.Rating voltage/current: 300V/8A  
 2.withstanding voltage: AC2000V/1Min  
 IEC Standard

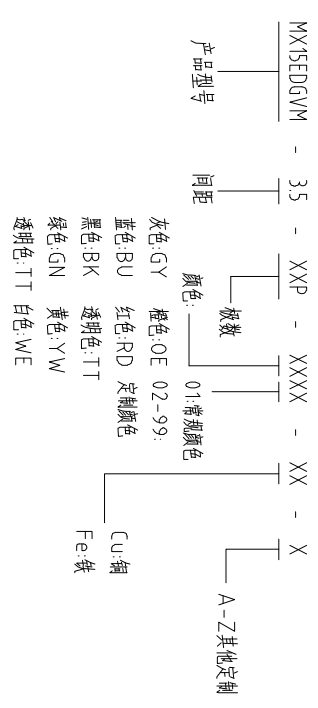
1. Pollution Degree	3	2	2
Overvoltage Category	III	III	II
Rate Impulse Voltage(KV)	2.5KV	2.5KV	2.5KV
Rate Voltage(V)	160V	160V	250V
Rate Current(A)	7A	7A	7A



NOTES2:  
 1.Housing: PA66 (UL94V-0)  
 2.Solder Pin: Brass (Sn Plated)  
 3.Nut: Brass (M2.5)

NOTES3:  
 1.Pitch: 3.5mm Poles: 02-24P  
 2.Operating temperature: -40°C~+105°C  
 3.RoHS Compliance

How to order



Pitch Range In

Over 6	Over 10	Over 30	Over 60	Over 100	Over 150
TO 6	TO 10	TO 24	TO 30	TO 60	TO 100

Nominal Dimension Range

Over 30	Over 60	Over 100	Over 150
TO 30	TO 60	TO 100	TO 150

PCB Layout

Over 0.1/10	Over 1.50
TO 0.15	TO 1.50

Nominal Dimension Range

Over 30	Over 60	Over 100	Over 150
TO 30	TO 60	TO 100	TO 150

PCB Layout

Over 0.1/10	Over 1.50
TO 0.15	TO 1.50

ITEM	NAME OF PART	NO. OF PART	Q'TY	MATERIAL	NOTE
DWG	CHK	DATE	SCALE	SHEET/OF	1/1
APP	DATE				
	NAME				