

74F573 Octal D-Type Latch with 3-STATE Outputs

General Description

The 'F573 is a high speed octal latch with buffered common Latch Enable (LE) and buffered common Output Enable (\overline{OE}) inputs.

This device is functionally identical to the 'F373 but has different pinouts.

- Useful as input or output port for microprocessors
- Functionally identical to 'F373
- 3-STATE outputs for bus interfacing
- Guaranteed 4000V minimum ESD protection

Features

- Inputs and outputs on opposite sides of package allowing easy interface with microprocessors

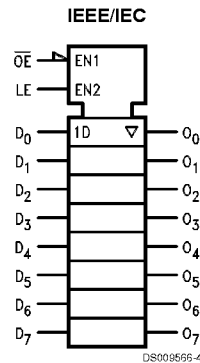
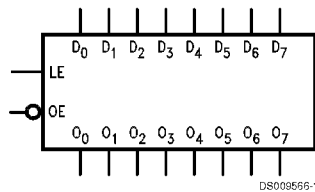
Ordering Code:

Commercial	Military	Package Number	Package Description
74F573PC		N20A	20-Lead (0.300" Wide) Molded Dual-In-Line
	54F573DM (Note 2)	J20A	20-Lead Ceramic Dual-In-Line
74F573SC (Note 1)		M20B	20-Lead (0.300" Wide) Molded Small Outline, JEDEC
74F573SJ (Note 1)		M20D	20-Lead (0.300" Wide) Molded Small Outline, EIAJ
	54F573FM (Note 2)	W20A	20-Lead Cerpak
	54F573LM (Note 2)	E20A	20-Lead Ceramic Leadless Chip Carrier, Type C

Note 1: Devices also available in 13" reel. Use suffix = SCX and SJX.

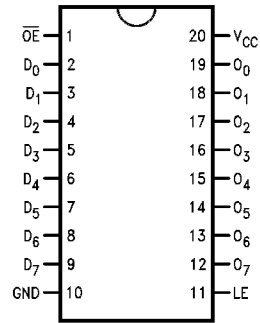
Note 2: Military grade device with environmental and burn-in processing. Use suffix = DMOB, FMOB and LMOB.

Logic Symbols

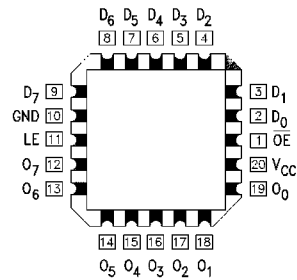


Connection Diagrams

Pin Assignment for
DIP, SOIC and Flatpak



Pin Assignment
for LCC



Unit Loading/Fan Out

Pin Names	Description	54F/74F	
		U.L. HIGH/LOW	Input I_{IH}/I_{IL} Output I_{OH}/I_{OL}
D ₀ -D ₇	Data Inputs	1.0/1.0	20 μ A/-0.6 mA
LE	Latch Enable Input (Active HIGH)	1.0/1.0	20 μ A/-0.6 mA
\overline{OE}	3-STATE Output Enable Input (Active LOW)	1.0/1.0	20 μ A/-0.6 mA
O ₀ -O ₇	3-STATE Latch Outputs	150/40(33.3)	-3 mA/24 mA (20 mA)

Functional Description

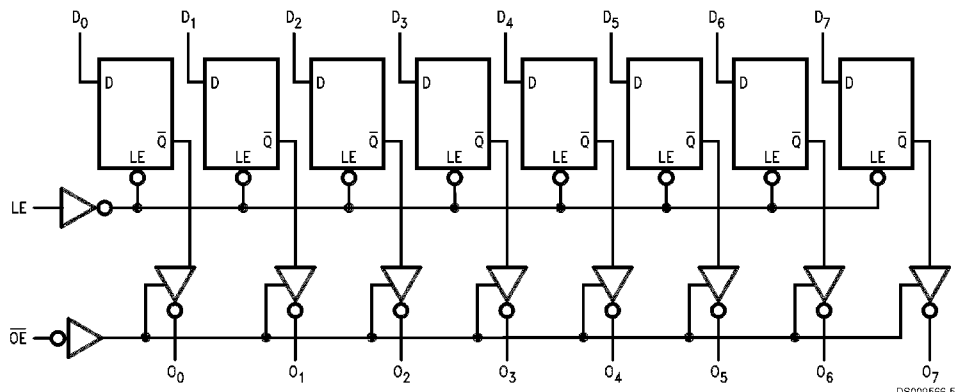
The 'F573 contains eight D-type latches with 3-state output buffers. When the Latch Enable (LE) input is HIGH, data on the D_n inputs enters the latches. In this condition the latches are transparent, i.e., a latch output will change state each time its D input changes. When LE is LOW the latches store the information that was present on the D inputs a setup time preceding the HIGH-to-LOW transition of LE. The 3-state buffers are controlled by the Output Enable (\overline{OE}) input. When \overline{OE} is LOW, the buffers are in the bi-state mode. When \overline{OE} is HIGH the buffers are in the high impedance mode but this does not interfere with entering new data into the latches.

Function Table

Inputs			Outputs
\overline{OE}	LE	D	O
L	H	H	H
L	H	L	L
L	L	X	O ₀
H	X	X	Z

H = HIGH Voltage Level
L = LOW Voltage Level
X = Immaterial
O₀ = Value stored from previous clock cycle

Logic Diagram



Please note that this diagram is provided only for the understanding of logic operations and should not be used to estimate propagation delays.

Absolute Maximum Ratings (Note 3)

Storage Temperature	-65°C to +150°C
Ambient Temperature under Bias	-55°C to +125°C
Junction Temperature under Bias	-55°C to +175°C
Plastic	-55°C to +150°C
V _{CC} Pin Potential to Ground Pin	-0.5V to +7.0V
Input Voltage (Note 4)	-0.5V to +7.0V
Input Current (Note 4)	-30 mA to +5.0 mA
Voltage Applied to Output in HIGH State (with V _{CC} = 0V)	
Standard Output	-0.5V to V _{CC}
3-STATE Output	-0.5V to +5.5V
Current Applied to Output in LOW State (Max)	twice the rated I _{OL} (mA)

ESD Last Passing Voltage (Min)

4000V

Recommended Operating Conditions

Free Air Ambient Temperature	
Military	-55°C to +125°C
Commercial	0°C to +70°C
Supply Voltage	
Military	+4.5V to +5.5V
Commercial	+4.5V to +5.5V

Note 3: Absolute maximum ratings are values beyond which the device may be damaged or have its useful life impaired. Functional operation under these conditions is not implied.

Note 4: Either voltage limit or current limit is sufficient to protect inputs.

DC Electrical Characteristics

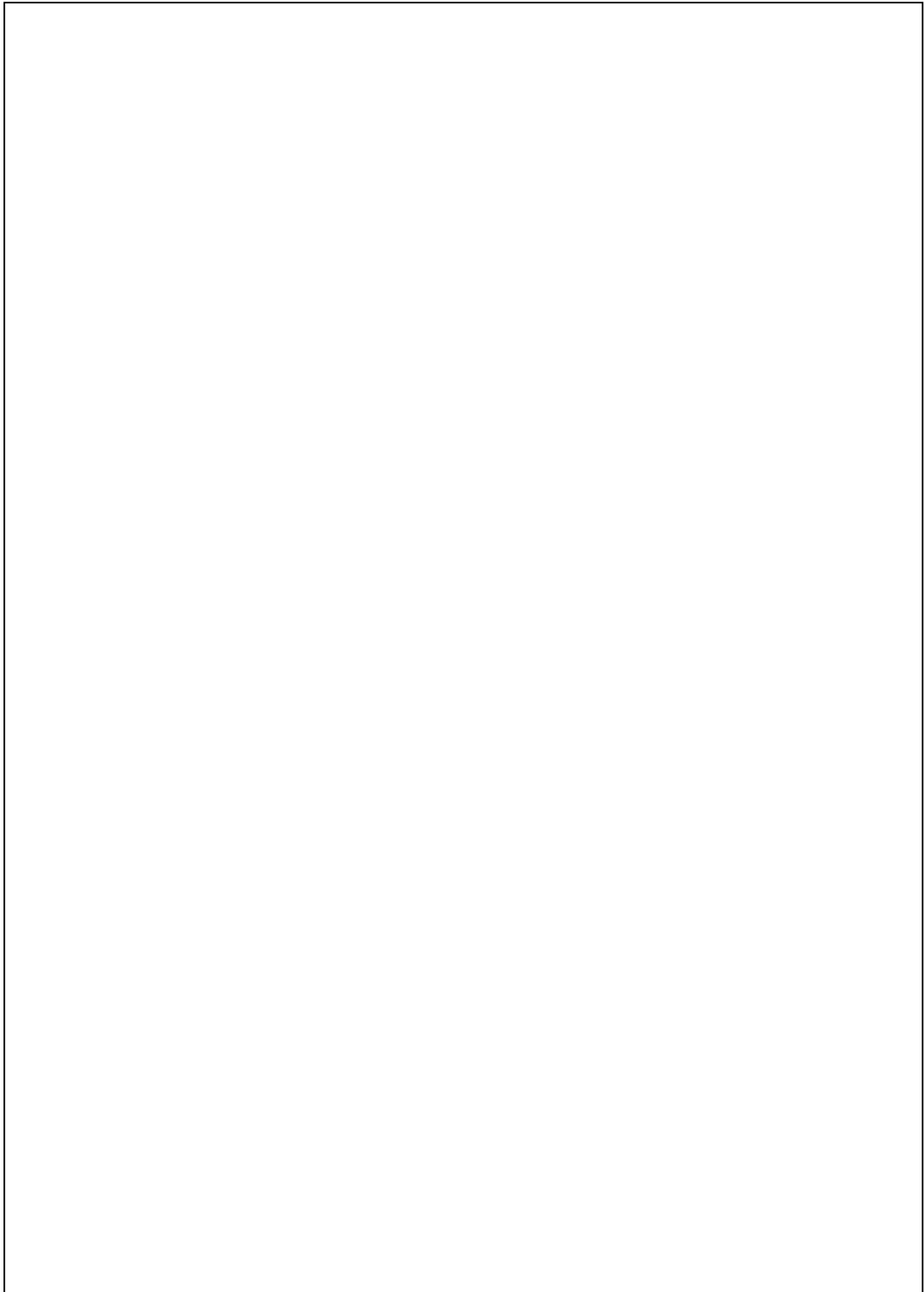
Symbol	Parameter		54F/74F			Units	V _{CC}	Conditions
			Min	Typ	Max			
V _{IH}	Input HIGH Voltage		2.0			V		Recognized as a HIGH Signal
V _{IL}	Input LOW Voltage					V		Recognized as a LOW Signal
V _{CD}	Input Clamp Diode Voltage					V	Min	I _{IN} = -18 mA
V _{OH}	Output HIGH Voltage	54F 10% V _{CC}	2.5		V	Min	I _{OH} = -1 mA	
		54F 10% V _{CC}	2.4				I _{OH} = -3 mA	
		74F 10% V _{CC}	2.5				I _{OH} = -1 mA	
		74F 10% V _{CC}	2.4				I _{OH} = -3 mA	
		74F 5% V _{CC}	2.7				I _{OH} = -1 mA	
		74F 5% V _{CC}	2.7				I _{OH} = -3 mA	
V _{OL}	Output LOW Voltage	54F 10% V _{CC}			V	Min	I _{OL} = 20 mA	
		74F 10% V _{CC}					I _{OL} = 24 mA	
I _{IH}	Input HIGH Current	54F	20.0		μA	Max	V _{IN} = 2.7V	
		74F	5.0					
I _{BVI}	Input HIGH Breakdown Test	54F	100		μA	Max	V _{IN} = 7.0V	
		74F	7.0					
I _{CEX}	Output HIGH Leakage Current	54F	250		μA	Max	V _{OUT} = V _{CC}	
		74F	50					
V _{ID}	Input Leakage Test	74F	4.75		V	0.0	I _{ID} = 1.9 μA All Other Pins Grounded	
I _{OD}	Output Leakage Circuit Current	74F	3.75		μA	0.0	V _{IOD} = 150 mV All Other Pins Grounded	
I _{IL}	Input LOW Current				mA	Max	V _{IN} = 0.5V	
I _{OZH}	Output Leakage Current				μA	Max	V _{OUT} = 2.7V	
I _{OZL}	Output Leakage Current				μA	Max	V _{OUT} = 0.5V	
I _{OS}	Output Short-Circuit Current		-60	-150	mA	Max	V _{OUT} = 0V	
I _{ZZ}	Bus Drainage Test				μA	0.0V	V _{OUT} = 5.25V	
I _{CCL}	Power Supply Current		35	55	mA	Max	V _O = LOW	
I _{CCZ}	Power Supply Current		35	55	mA	Max	V _O = HIGH Z	

AC Electrical Characteristics

Symbol	Parameter	74F			54F		74F		Units
		T _A = +25°C V _{CC} = +5.0V C _L = 50 pF			T _A , V _{CC} = Mil C _L = 50 pF		T _A , V _{CC} = Com C _L = 50 pF		
		Min	Typ	Max	Min	Max	Min	Max	
t _{PLH}	Propagation Delay	3.0	5.3	7.0	3.0	9.0	3.0	8.0	ns
t _{PHL}	D _n to O _n	2.0	3.7	6.0	2.0	7.0	2.0	6.5	
t _{PLH}	Propagation Delay	5.0	9.0	11.0	5.0	13.5	5.0	12.0	ns
t _{PHL}	LE to O _n	3.0	5.2	7.0	3.0	7.5	3.0	7.0	
t _{PZH}	Output Enable Time	2.0	5.0	8.0	2.0	10.0	2.0	9.0	ns
t _{PZL}		2.0	5.6	8.5	2.0	10.0	2.0	9.5	
t _{PHZ}	Output Disable Time	1.5	4.5	5.5	1.5	7.0	1.5	6.5	
t _{PLZ}		1.5	3.8	5.5	1.5	5.5	1.5	5.5	

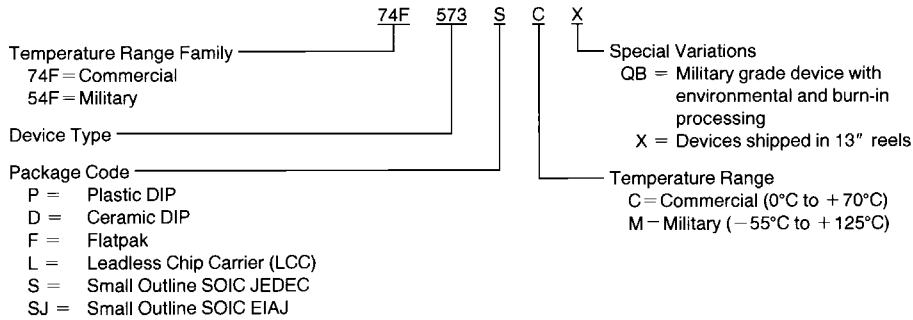
AC Operating Requirements

Symbol	Parameter	74F		54F		74F		Units
		T _A = +25°C V _{CC} = +5.0V		T _A , V _{CC} = Mil		T _A , V _{CC} = Com		
		Min	Max	Min	Max	Min	Max	
t _s (H)	Setup Time, HIGH or LOW	2.0		2.0		2.0		ns
t _s (L)	D _n to LE	2.0		2.0		2.0		
t _h (H)	Hold Time, HIGH or LOW	3.0		3.0		3.0		ns
t _h (L)	D _n to LE	3.5		4.0		3.5		
t _w (H)	LE Pulse Width, HIGH	4.0		4.0		4.0		ns



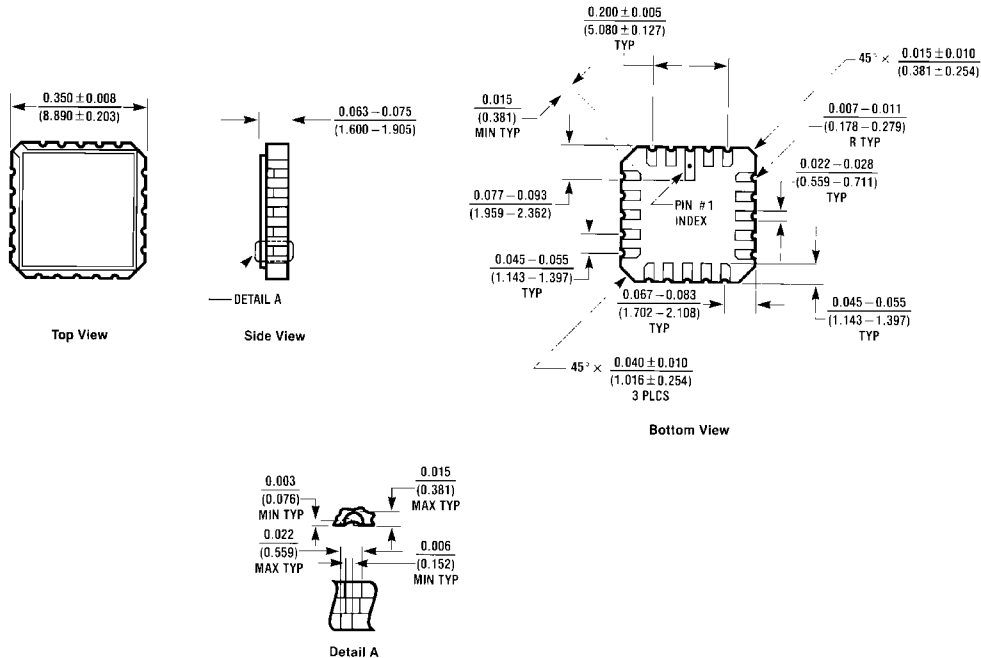
Ordering Information

The device number is used to form part of a simplified purchasing code where the package type and temperature range are defined as follows:



DS009566-6

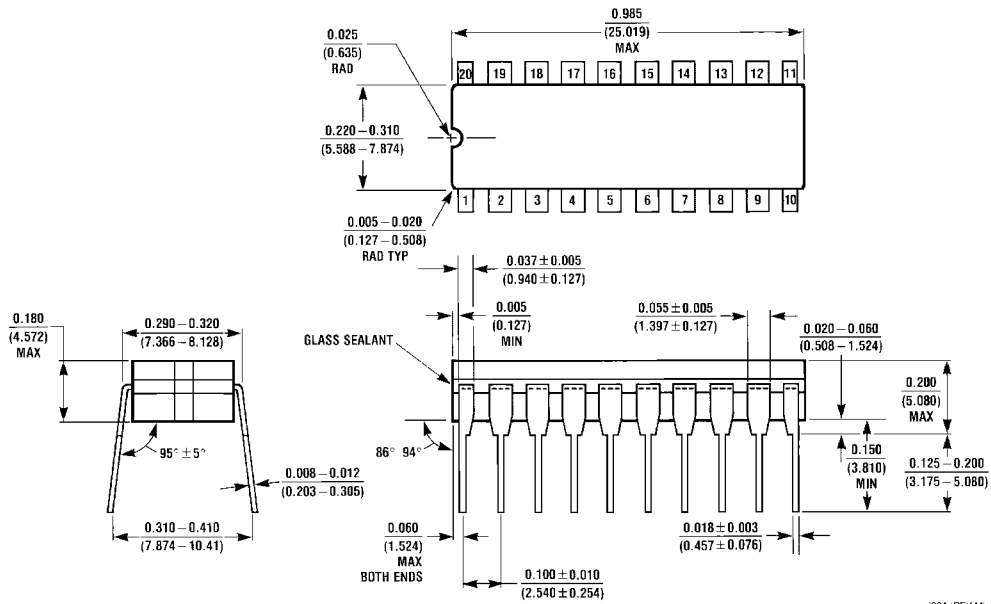
Physical Dimensions inches (millimeters) unless otherwise noted



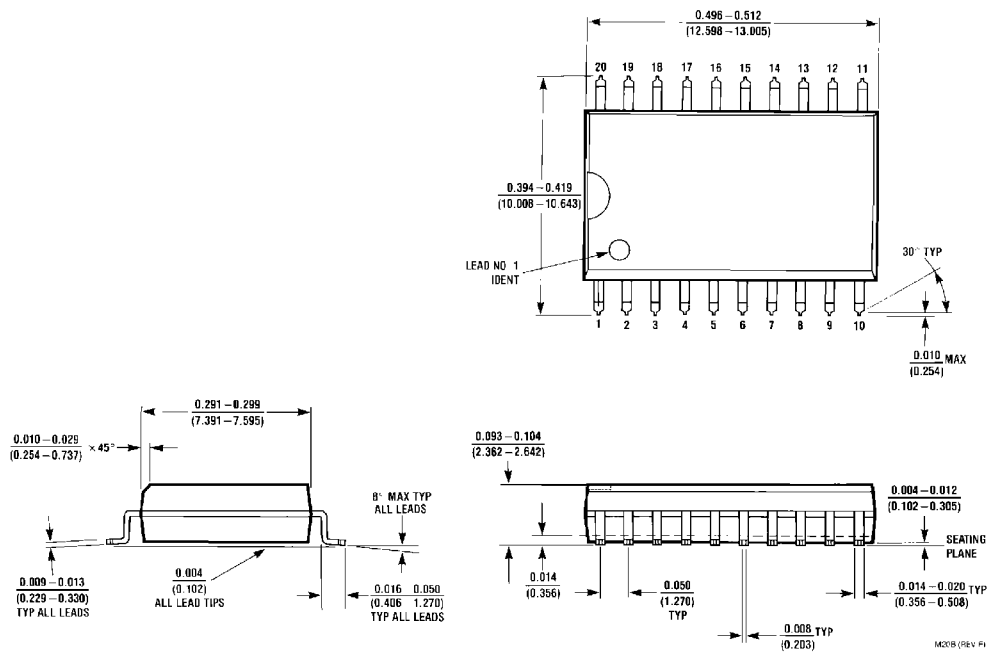
EQVA (REV. 01)

**20-Lead Ceramic Leadless Chip Carrier (L)
Package Number E20A**

Physical Dimensions inches (millimeters) unless otherwise noted (Continued)

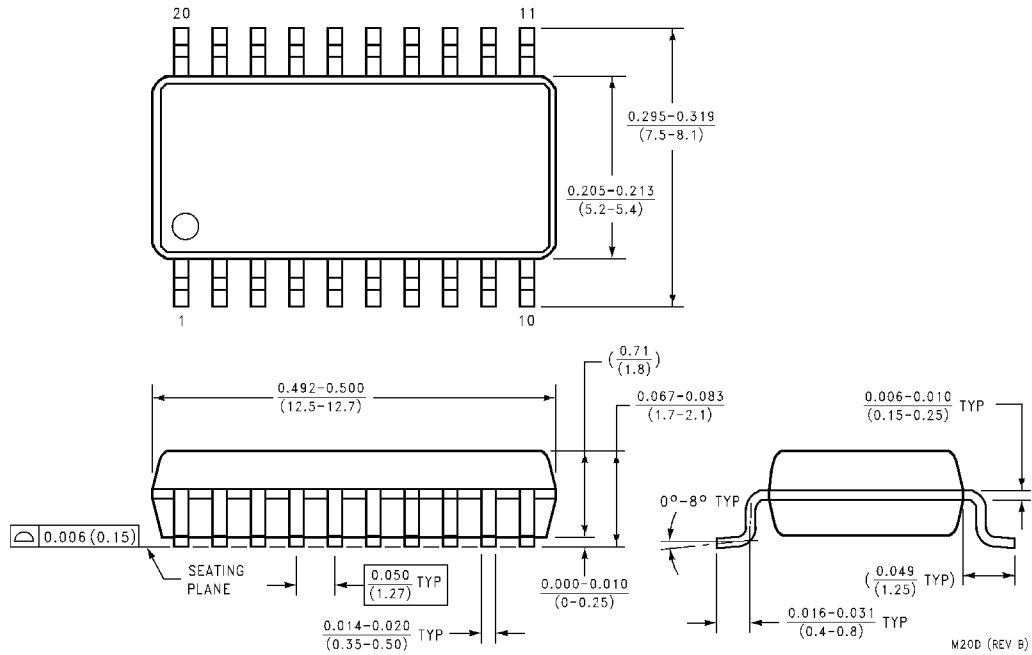


20-Lead Ceramic Dual-In-Line Package (D)
Package Number J20A

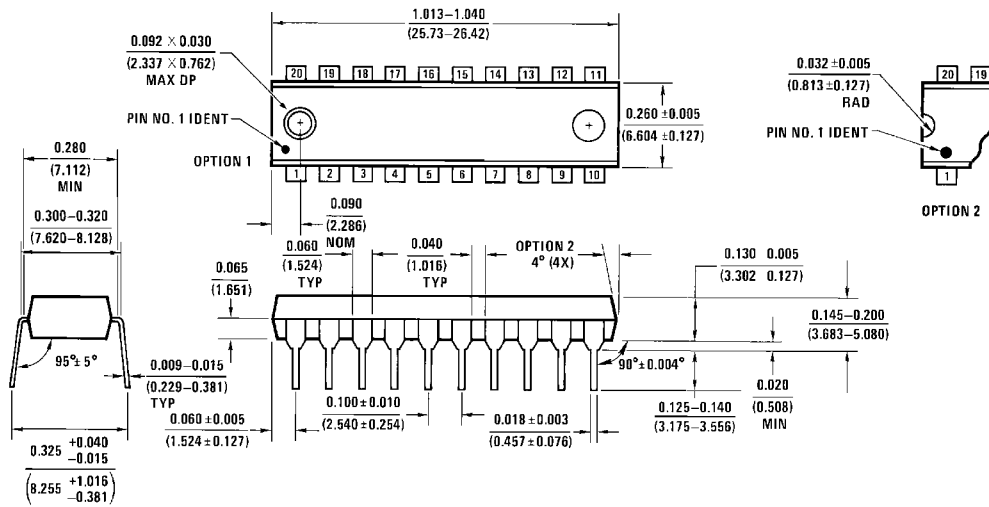


20-Lead (0.300" Wide) Molded Small Outline Package, JEDEC (S)
Package Number M20B

Physical Dimensions inches (millimeters) unless otherwise noted (Continued)

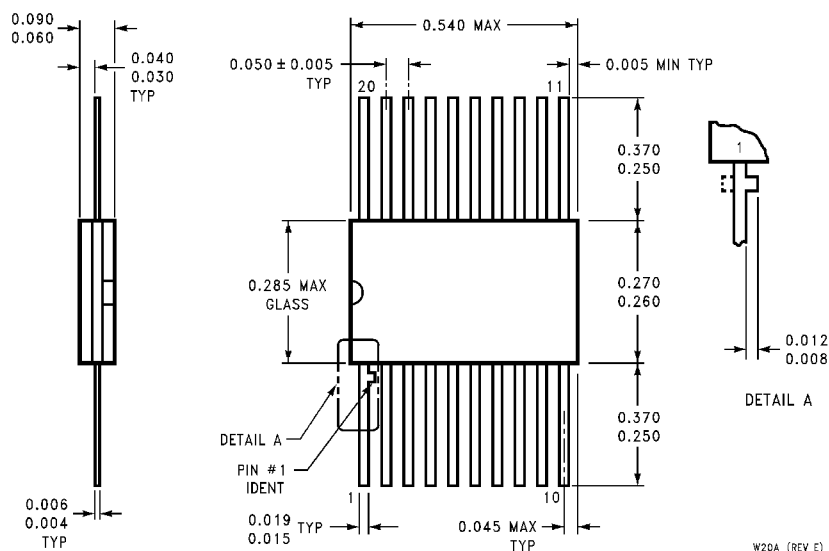


**20-Lead (0.300" Wide) Small Outline Package, EIAJ (SJ)
Package Number M20D**



**20-Lead (0.300" Wide) Molded Dual-In-Line Package (P)
Package Number N20A**

Physical Dimensions inches (millimeters) unless otherwise noted (Continued)



**20 Lead Ceramic Flatpak (F)
Package Number W20A**

LIFE SUPPORT POLICY

FAIRCHILD'S PRODUCTS ARE NOT AUTHORIZED FOR USE AS CRITICAL COMPONENTS IN LIFE SUPPORT DEVICES OR SYSTEMS WITHOUT THE EXPRESS WRITTEN APPROVAL OF THE PRESIDENT OF FAIRCHILD SEMICONDUCTOR CORPORATION. As used herein:

1. Life support devices or systems are devices or systems which, (a) are intended for surgical implant into the body, or (b) support or sustain life, and (c) whose failure to perform when properly used in accordance with instructions for use provided in the labeling, can be reasonably expected to result in a significant injury to the user.
2. A critical component in any component of a life support device or system whose failure to perform can be reasonably expected to cause the failure of the life support device or system, or to affect its safety or effectiveness.

Fairchild Semiconductor Corporation
Americas
Customer Response Center
Tel: 1-888-522-5372

www.fairchildsemi.com

Fairchild Semiconductor Europe
Fax: +49 (0) 1 80-530 85 86
Email: europa.support@nsc.com
Deutsch Tel: +49 (0) 8 141-35-0
English Tel: +44 (0) 1 793-85-68-56
Italy Tel: +39 (0) 2 57 5631

Fairchild Semiconductor Hong Kong Ltd.
13th Floor, Straight Block,
Ocean Centre, 5 Canton Rd.
Tsimshatsui, Kowloon
Hong Kong
Tel: +852 2737-7200
Fax: +852 2314-0061

National Semiconductor Japan Ltd.
Tel: 81-3-5620-6175
Fax: 81-3-5620-6179