

KA7405D

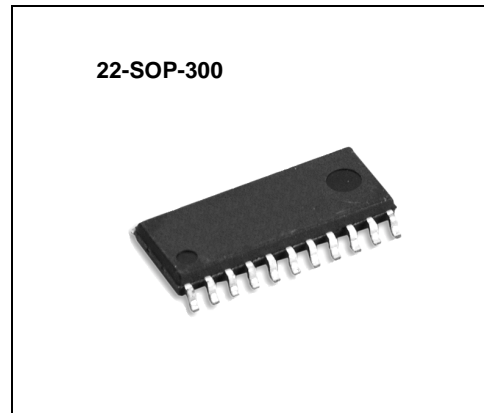
2-Channel DC Motor Drive IC

Features

- Output current up to 1.5A (Each channel).
- 4-function modes (CW, CCW, stop and brake) are controlled by 2-logic circuits.
- Operating voltage range: $V_{CC} = 2.5 \sim 6.0V$.
- Built-in spike killer diode.
- Low saturation voltage.

Description

The KA7405D is a monolithic integrated circuit, and suitable for the zoom and reel motor driver for camera, tape deck, any other consumer and industrial applications.



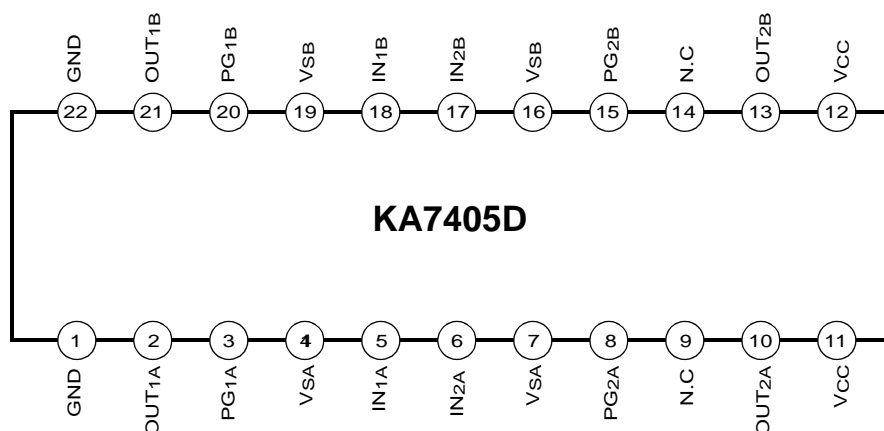
Typical Applications

- Camera zoom and film motors
- General DC motor

Ordering Information

| Device | Package | Operating Temp. |
|---------|------------|-----------------|
| KA7405D | 22-SOP-300 | -25°C to +75°C |

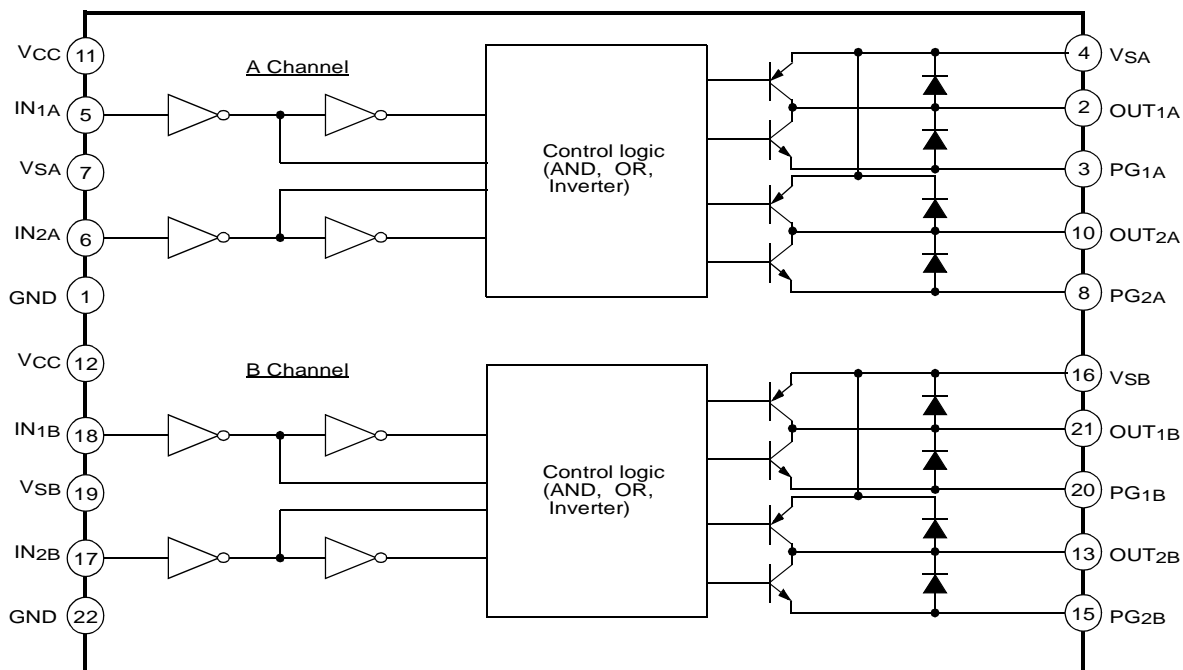
Pin Assignments



Pin Definitions

| Pin Number | Pin Name | I/O | Pin Function Description | Remark |
|------------|----------|-----|--------------------------|-----------|
| 1 | GND | - | Signal ground | - |
| 2 | OUT1A | O | Output 1 | Channel A |
| 3 | PG1A | - | Power ground 1 | Channel A |
| 4 | VSA | - | Output supply voltage | Channel A |
| 5 | IN1A | I | Input 1 | Channel A |
| 6 | IN2A | I | Input 2 | Channel A |
| 7 | VSA | - | Output supply voltage | Channel A |
| 8 | PG2A | - | Power ground 2 | Channel A |
| 9 | NC | - | No connection | - |
| 10 | OUT2A | O | Output 2 | - |
| 11 | VCC | - | Supply voltage | - |
| 12 | VCC | - | Supply voltage | - |
| 13 | OUT2B | O | Output 2 | Channel B |
| 14 | NC | - | No connection | - |
| 15 | PG2B | - | Power ground 2 | Channel B |
| 16 | VSB | - | Output supply voltage | Channel B |
| 17 | IN2B | I | Input 2 | Channel B |
| 18 | IN1B | I | Input 1 | Channel B |
| 19 | VSB | - | Output supply voltage | Channel B |
| 20 | PG1B | - | Power ground 1 | Channel B |
| 21 | OUT1B | O | Output 1 | Channel B |
| 22 | GND | - | Signal ground | - |

Internal Block Diagram



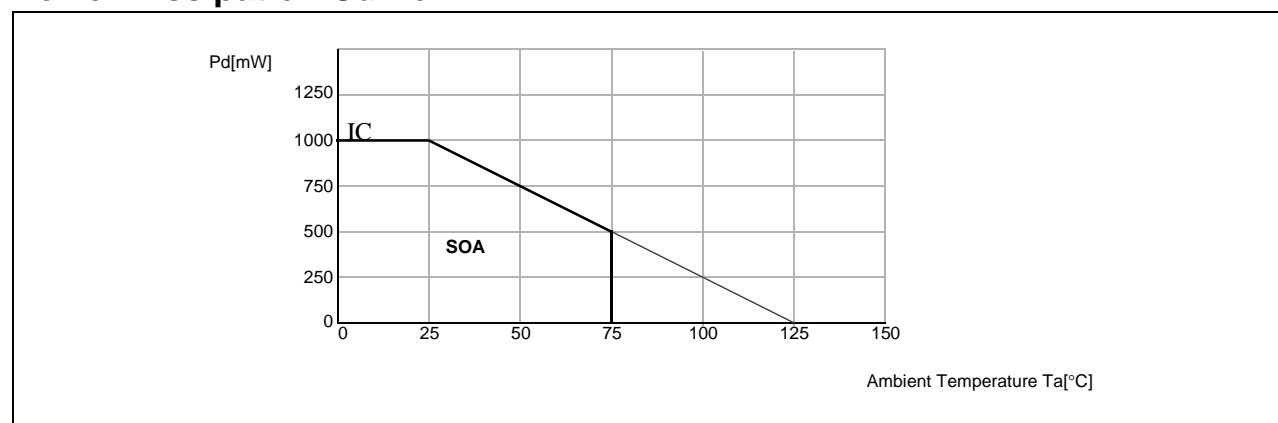
Equivalent Circuits

| Description | Pin No. | Internal Circuit |
|---------------|---------|------------------|
| Control Input | | |
| IN1A | 5 | |
| IN2A | 6 | |
| IN1B | 18 | |
| IN2B | 17 | |
| VCC | 11, 12 | |
| GND | 1, 22 | |
| Motor Output | | |
| OUT1A | 2 | |
| OUT2A | 10 | |
| OUT1B | 21 | |
| OUT2B | 13 | |
| VSA | 4, 7 | |
| VSB | 16, 19 | |
| PG1A | 3 | |
| PG2A | 8 | |
| PG1B | 20 | |
| PG2B | 15 | |

Absolute Maximum Ratings (Ta = 25°C)

| Parameter | Symbol | Value | Unit |
|------------------------|--------------------|------------|------|
| Power supply voltage | V _{CCMAX} | 6.0 | V |
| Channel supply voltage | V _{SMAX} | 6.0 | V |
| Power dissipation | P _D | 1000 | mW |
| Operating temperature | T _{OPR} | -25 ~ +75 | °C |
| Storage temperature | T _{STG} | -40 ~ +125 | °C |
| Output current | I _{OMAX} | 1.5 | A |

Power Dissipation Curve



Recommended Operating Conditions (Ta = 25°C)

| Parameter | Symbol | Min. | Typ. | Max. | Unit |
|--------------------------|-----------------|------|------|------|------|
| Operating supply voltage | V _{CC} | 2.5 | - | 6.0 | V |

Electrical Characteristics

(VCC=3V, Ta=25°C, unless otherwise specified)

| Parameter | Symbol | Conditions | Min. | Typ. | Max. | Unit |
|-------------------------------------------------|------------------|------------------------------------------------|------|------|------|------|
| Supply current 1 | ICC1 | V _{IN(all)} = 0V, V _{CC} =5V | - | 0.1 | 10 | μA |
| Supply current 2 | ICC2 | V _{IN1} =3V, V _{CC} =5V | - | 15 | 30 | mA |
| Supply current 3 | ICC3 | V _{IN2} =3V, V _{CC} =5V | - | 15 | 30 | mA |
| Supply current 4 | ICC4 | V _{IN} =3V | - | 30 | 50 | mA |
| Input current | I _{IN} | V _{CC} =6V, V _{IN} =2V | - | 45 | 80 | μA |
| Leakage current | I _{IK} | V _{CC} =5V | - | 0.1 | 10 | μA |
| Upper spark diode forward voltage | V _{SF1} | I _O =500mA | - | 1.0 | 1.7 | V |
| Lower spark diode forward voltage | V _{SF2} | I _O =500mA | - | 1.0 | 1.7 | V |
| Output saturation voltage (1A) | V _{O1A} | I _O A=300mA, V _{IN1A} =3V | - | 0.45 | 0.70 | V |
| Output saturation voltage (1B) | V _{O1B} | I _O B=300mA, V _{IN1B} =3V | - | 0.45 | 0.70 | V |
| Output saturation voltage (2A) | V _{O2A} | I _O A=600mA, V _{IN1A} =3V | - | 1.0 | 1.5 | V |
| Output saturation voltage (2B) | V _{O2B} | I _O B=600mA, V _{IN1B} =3V | - | 1.0 | 1.5 | V |
| Output saturation voltage (3A) | V _{O3A} | I _O A=300mA, V _{IN2A} =3V | - | 0.45 | 0.70 | V |
| Output saturation voltage (3B) | V _{O3B} | I _O B=300mA, V _{IN2B} =3V | - | 0.45 | 0.70 | V |
| Output saturation voltage (4A) | V _{O4A} | I _O A=600mA, V _{IN2A} =3V | - | 1.0 | 1.5 | V |
| Output saturation voltage (4B) | V _{O4B} | I _O B=600mA, V _{IN2B} =3V | - | 1.0 | 1.5 | V |
| Output saturation voltage 5 | V _{O5} | I _O B=600mA, V _{IN1} =3V | - | 0.6 | 0.8 | V |
| Output saturation voltage 6 | V _{O6} | I _O =600mA, V _{IN2} =3V | - | 0.6 | 0.8 | V |
| Output saturation voltage 7 | V _{O7} | I _O =1200mA, V _{IN1} =3V | - | 1.2 | 1.6 | V |
| Output saturation voltage 8 | V _{O8} | I _O =1200mA, V _{IN2} =3V | - | 1.2 | 1.6 | V |
| Output sustain voltage | V _{SUS} | I _O =200mA | 10 | 15 | - | V |
| Output saturation low voltage A ^{note} | V _{OLA} | V _{CC} =1.9V, I _O A=400mA | - | 0.45 | 0.90 | V |
| Output saturation low voltage B ^{note} | V _{OLB} | V _{CC} =1.9V, I _O B=400mA | - | 0.45 | 0.90 | V |

Notes:

User's option.

Operation Truth Table

| Input/Output Motor Operation | Input 1 | Input 2 | Output 1 | Output 2 | Remark |
|---------------------------------|---------|---------|----------|----------|----------------|
| Stop | Low | Low | Off | Off | High impedance |
| Forward Operation | Low | High | Low | High | CW / CCW |
| Backward Operation | High | Low | High | Low | CCW / CW |
| Fast stop | High | High | Low | Low | Brake |

Typical Performance Characteristics

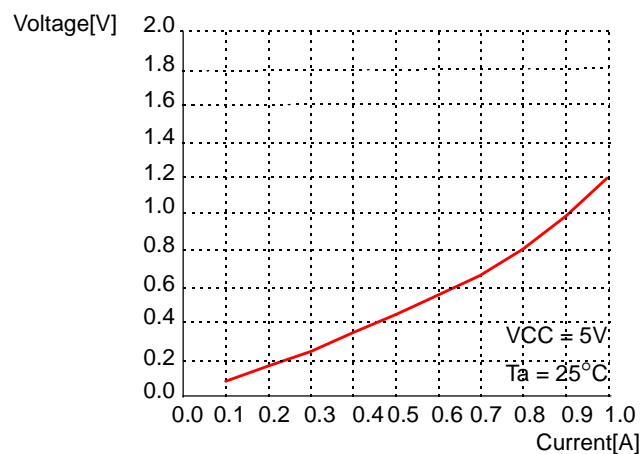


Figure 1. PNP Saturation Voltage

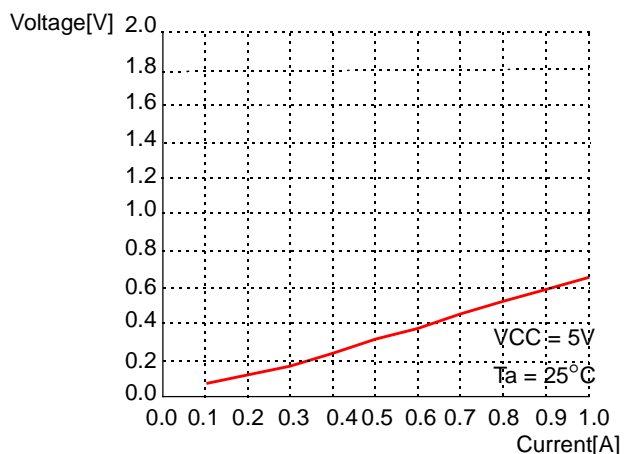
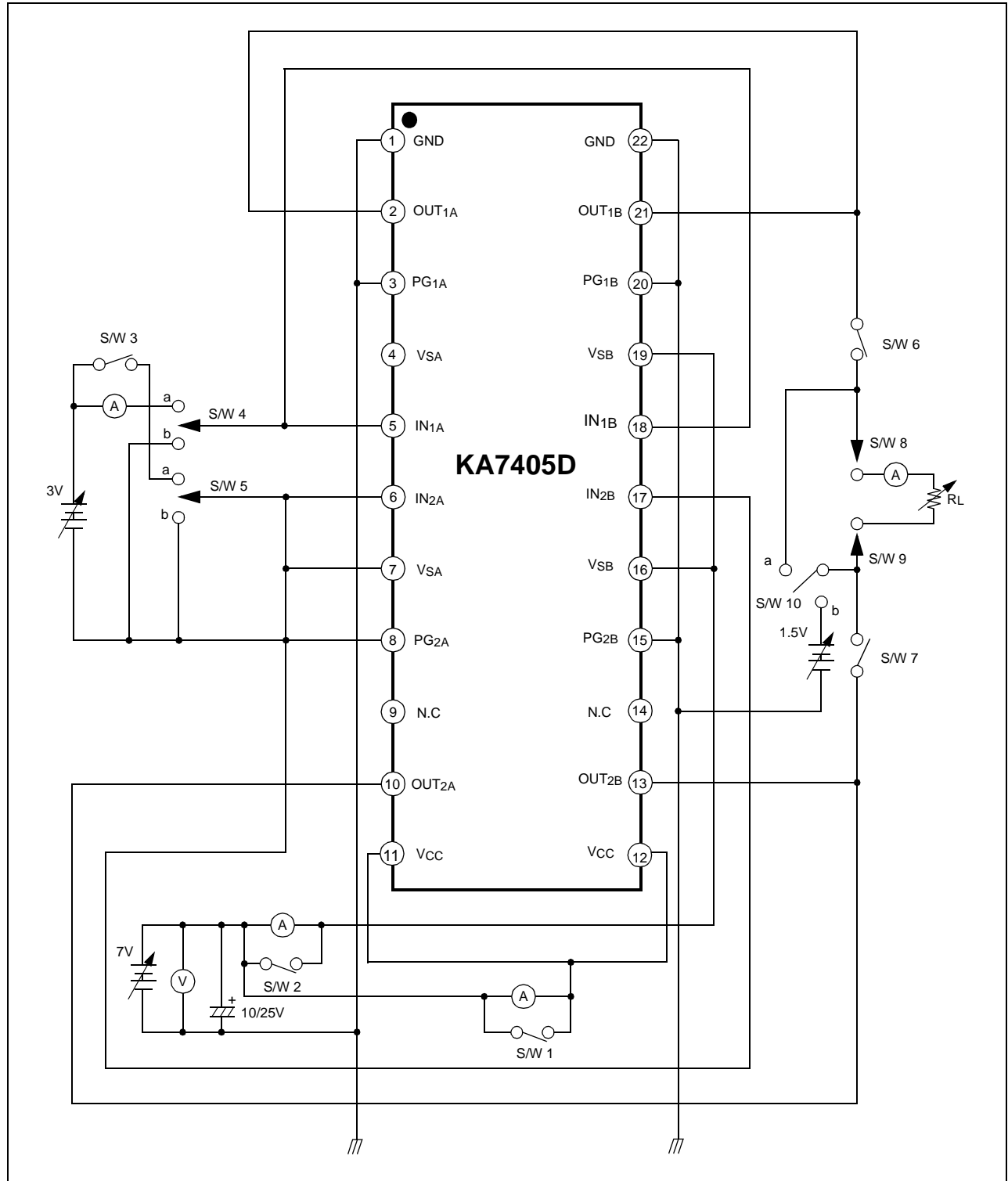


Figure 2. PNP Saturation Voltage

Test Circuits



Test Conditions

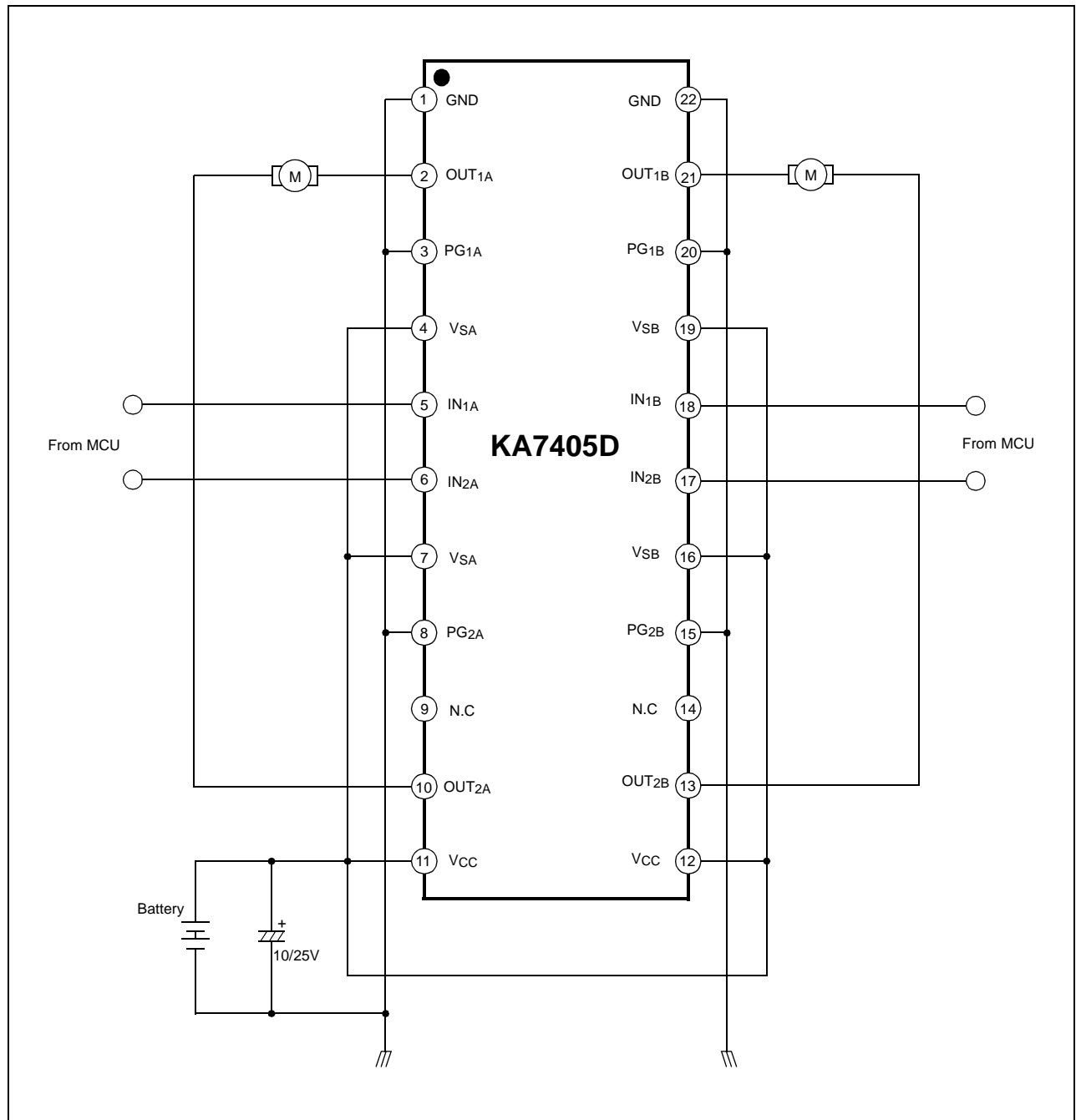
| Characteristics | SW1 | SW2 | SW3 | SW4 | SW5 | SW6 | SW7 | SW8 | SW9 | SW10 | Remark |
|-----------------|-----|-----|-----|-----|-----|-----|-----|-----|-----|------|-----------------|
| ICC1 | Off | Off | X | b | b | Off | Off | X | X | Off | Supply current |
| ICC2 | Off | Off | On | a | b | Off | Off | X | X | Off | Supply current |
| ICC3 | Off | Off | On | b | a | Off | Off | X | X | Off | Supply current |
| ICC4 | Off | Off | On | a | a | Off | Off | X | X | Off | Supply current |
| IIN | On | On | On | a | a | Off | Off | X | X | Off | Input current |
| IIK | Off | Off | Off | b | b | Off | Off | X | X | Off | Leakage current |
| VSF1 | On | On | On | a | b | On | On | Off | Off | a | Spark diode |
| VSF2 | On | On | On | b | a | On | On | Off | Off | b | Spark diode |
| VO1A | On | On | On | a | b | On | On | On | On | Off | Single mode |
| VO2A | On | On | On | b | a | On | On | On | On | Off | Single mode |
| VO3A | On | On | On | a | b | On | On | On | On | Off | Single mode |
| VO4A | On | On | On | b | a | On | On | On | On | Off | Single mode |
| VO5 | On | On | On | a | b | On | On | On | On | Off | Parallel mode |
| VO6 | On | On | On | b | a | On | On | On | On | Off | Parallel mode |
| VO7 | On | On | On | a | b | On | On | On | On | Off | Parallel mode |
| VO8 | On | On | On | b | a | On | On | On | On | Off | Parallel mode |
| VSUS | Off | Off | X | b | b | On | On | On | On | Off | Sustain voltage |

Notes:

' X ' : Don't care.

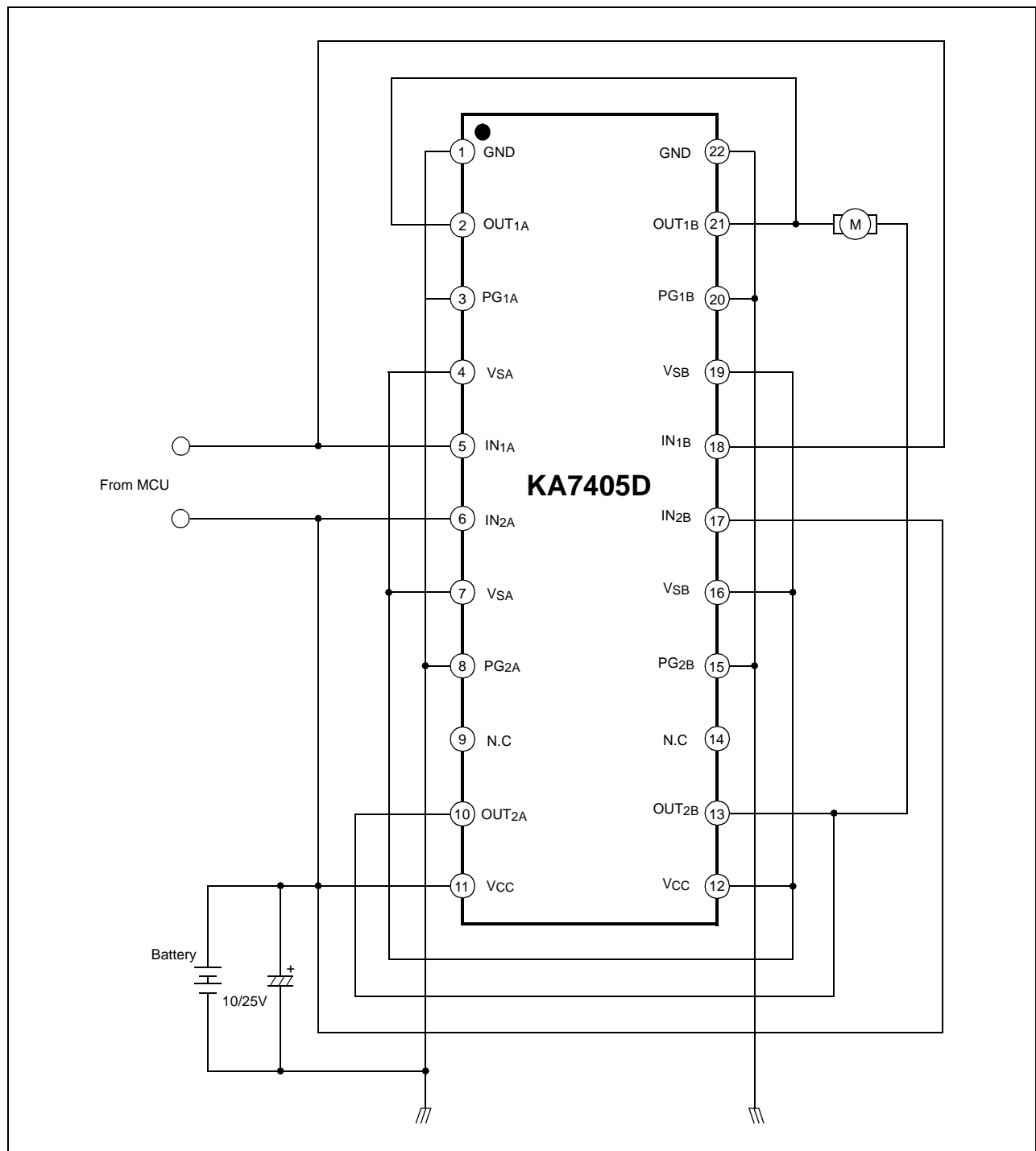
Typical Application Circuits 1

(Single drive mode)



Typical Application Circuits 2

(Parallel drive mode)



DISCLAIMER

FAIRCHILD SEMICONDUCTOR RESERVES THE RIGHT TO MAKE CHANGES WITHOUT FURTHER NOTICE TO ANY PRODUCTS HEREIN TO IMPROVE RELIABILITY, FUNCTION OR DESIGN. FAIRCHILD DOES NOT ASSUME ANY LIABILITY ARISING OUT OF THE APPLICATION OR USE OF ANY PRODUCT OR CIRCUIT DESCRIBED HEREIN; NEITHER DOES IT CONVEY ANY LICENSE UNDER ITS PATENT RIGHTS, NOR THE RIGHTS OF OTHERS.

LIFE SUPPORT POLICY

FAIRCHILD'S PRODUCTS ARE NOT AUTHORIZED FOR USE AS CRITICAL COMPONENTS IN LIFE SUPPORT DEVICES OR SYSTEMS WITHOUT THE EXPRESS WRITTEN APPROVAL OF THE PRESIDENT OF FAIRCHILD SEMICONDUCTOR INTERNATIONAL. As used herein:

1. Life support devices or systems are devices or systems which, (a) are intended for surgical implant into the body, or (b) support or sustain life, and (c) whose failure to perform when properly used in accordance with instructions for use provided in the labeling, can be reasonably expected to result in a significant injury of the user.
2. A critical component in any component of a life support device or system whose failure to perform can be reasonably expected to cause the failure of the life support device or system, or to affect its safety or effectiveness.

Fairchild Semiconductor

SEARCH | Parametric | Cross Reference

space

Product Folders and

Applies

find products

Home >> Find products >>

Products groups

Analog and Mixed

Signal

Discrete

Interface

Logic

Microcontrollers

Non-Volatile

Memory

Optoelectronics

Markets and

applications

New products

Product selection and

parametric search

Cross-reference

search

KA7405D
DC Motor Driver

Contents
[General description](#) | [Features](#) | [Applications](#) | [Product status/pricing/packaging](#)

General description

The KA7405D is a monolithic integrated circuit, suitable for the zoom and reel motor driver for camera, tape deck, any other consumer and industrial applications.

[back to top](#)

Features

- Output current up to 1.5A (Each channel).
- 4-function modes (CW, CCW, stop and brake) are controlled by 2-logic circuits.
- Operating voltage range: $V_{CC} = 2.5 \sim 6.0V$.
- Built-in spike killer diode.
- Low saturation voltage.

[back to top](#)

Applications

- Camera zoom and film motors
- General DC motor

[back to top](#)

[Product status/pricing/packaging](#)

Related Links

[Request samples](#)

[How to order products](#)

[Product Change Notices \(PCNs\)](#)

[Support](#)

[Distributor and field sales representatives](#)

[Quality and reliability](#)

[Design tools](#)

Datasheet

[Download this datasheet](#)

PDF

[e-mail this datasheet](#)

[E-]

This page [Print version](#)

technical information

buy products

technical support

my Fairchild

company

| Product | Product status | Package type | Leads | Packing method |
|----------------|---------------------------------|---------------------|--------------|-----------------------|
| KA7405D01 | Not recommended for new designs | SOP | 22 | RAIL |
| KA7405D | Not recommended for new designs | SOP | 22 | RAIL |

[back to top](#)

[Home](#) | [Find products](#) | [Technical information](#) | [Buy products](#) |
[Support](#) | [Company](#) | [Contact us](#) | [Site index](#) | [Privacy policy](#)

[© Copyright 2002 Fairchild Semiconductor](#)
