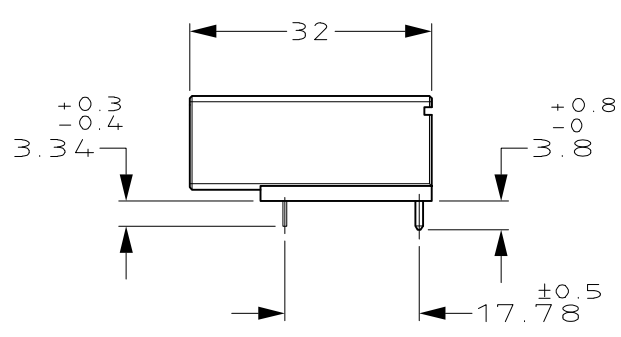
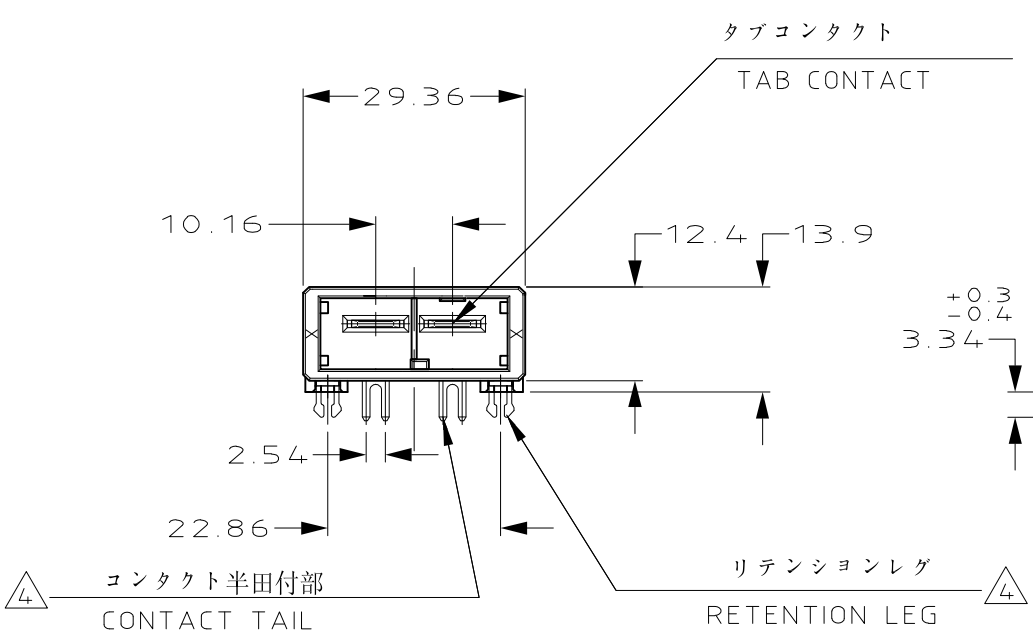
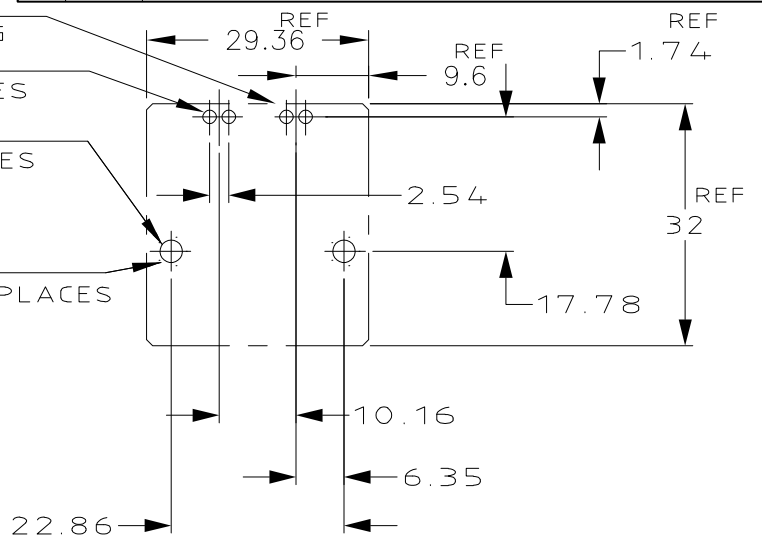
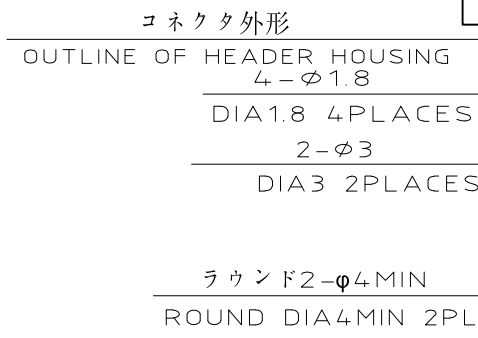
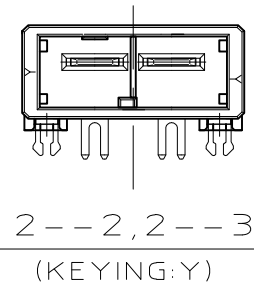
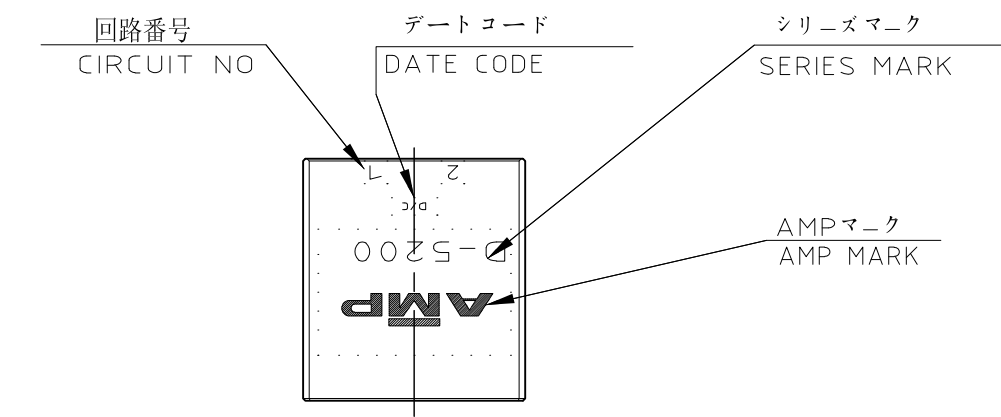


THIS DRAWING IS UNPUBLISHED. RELEASED FOR PUBLICATION  
 © COPYRIGHT - By Tyco Electronics Japan G.K. ALL RIGHTS RESERVED.

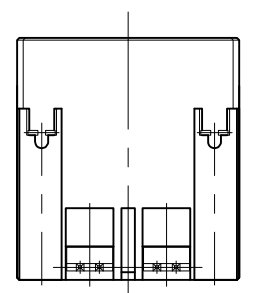
LOC	DIST	REVISIONS					
		P	LTR	DESCRIPTION	DATE	DWN	APVD
J	-	0	RELEASED	FJ00-4343-96	04JUL1996	K.I	Y.I
		A	REVISED	FJ00-0096-97	03FEB2003	K.I	Y.I
		B	REVISED	FJD0-0039-03	02JUN2003	T.SSM	
		C	REVISED	ECR-12-004468	09MAR2012	H.M	N.Y



推奨基板取付け穴寸法(公差 ±0.05)  
 PC 基板厚: 1.6 ~ 2.4 ± 0.1  
 (コネクタ搭載面)

RECOMENDED PC BOARD HOLE PATTERN (TOL: ±0.05)  
 PC BOARD THICKNESS: 1.6 ~ 2.4 ± 0.1  
 (CONNECTOR MOUNT SIDE)

1--2, 1--3  
 (KEYING:X)



NOTES

- MATERIAL: HOUSING: GLASS FILED THERMO PLASTIC, POLYESTER(94V-0), COLOR: BLACK  
 TAB CONTACT: COPPER ALLOY  
 RETENTION LEG: BRASS
- FINISH (CONTACT AREA): 0.38 μm MIN GOLD PLATING OVER Ni PLATING
- FINISH (CONTACT AREA): 0.76 μm MIN GOLD PLATING OVER Ni PLATING
- FINISH (RETENTION LEG): TIN PLATED (CONTACT TAIL) OVER NICKEL

注記

- 材料: ハウジング: ガラス入り熱可塑性ポリエステル樹脂(94V-0), 色: 黒  
 タブコンタクト: 銅合金  
 リテンションレグ: 黄銅
- めっき: コンタクト全面Ni下地  
 接触部 0.38 μm MIN 金めっき
- めっき: コンタクト全面Ni下地  
 接触部 0.76 μm MIN 金めっき
- めっき: リテンションレグとコンタクト半田付部  
 : ニッケル下地の上にスズめっき

KEY TYPE	コンタクトのめっき (FINISH)	製品番号 (PART NO.)
Y	△4 △3	2-353079-3
	△4 △2	2-353079-2
X	△4 △3	1-353079-3
	△4 △2	1-353079-2

THIS DRAWING IS A CONTROLLED DOCUMENT.		DWN K.IKEDA 04JUN1996	TE Connectivity	
DIMENSIONS: mm		CHK Y.ISHIKAWA 04JUL1996		
TOLERANCES UNLESS OTHERWISE SPECIFIED:		APVD S.MANABE 04JUL1996	NAME SINGLE ROW HEADER ASST 2P -H-TYPE DYNAMIC D-5200 S	
		PRODUCT SPEC 108-5453	RESTRICTED TO	
MATERIAL SEE NOTE		APPLICATION SPEC 114-5206	SIZE A3	CAGE CODE 00779
FINISH SEE NOTE		WEIGHT	DRAWING NO C-353079	REV C
CUSTOMER DRAWING			SCALE 1:1	SHEET 1 OF 1