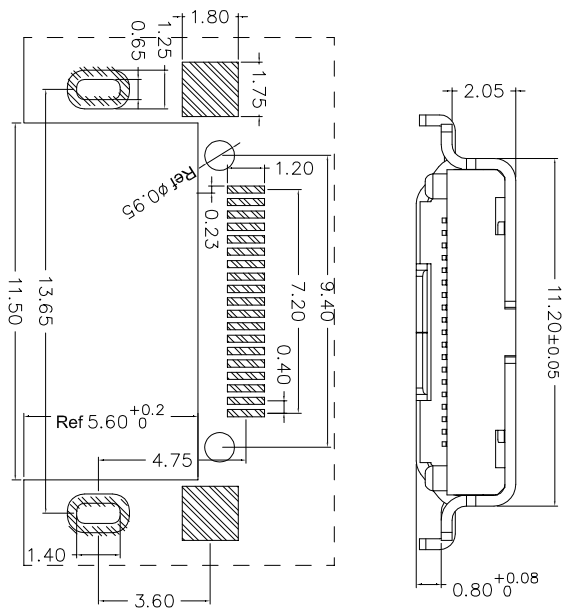
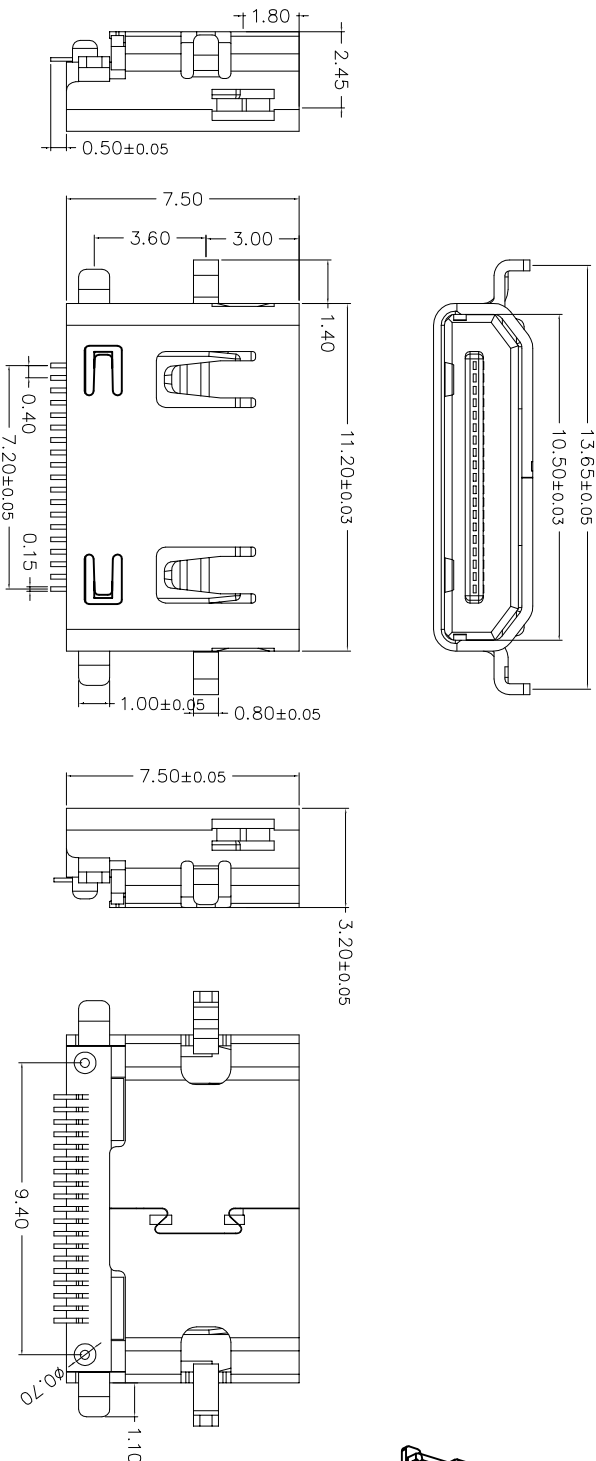
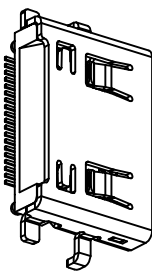


* 所有原材料质, 生产制程, 电镀必须符合ROHS要求



- SPECIFICATION:
1. MATING FORCE: 44.1N MAX
 2. UNMATING FORCE: 7.25N
 3. DURABILITY: 5000 CYCLES MIN
 4. CURRENT: 0.5A
 5. VOLTAGE: 40V MAX
 6. WITHSTANDING VOLTAGE: 500V AC MIN. (UNMATED)
 7. CONTACT RESISTANCE: 30mΩ MAX.
 8. INSULATION RESISTANCE: 1.00MΩ MIN. (UNMATED)
 9. OPERATING TEMPERATURE RANGE: -20°C TO +85°C
 10. ALL THE MATERIAL SHOULD COMPLY WITH THE ROHS REQUIREMENT.

Table 4-17 Type C-to-Type C Cable Wire Assignment

Type C pin	Signal Name
1	TMS Data2 Shield
2	TMS Data2+
3	TMS Data2-
4	TMS Data1 Shield
5	TMS Data1+
6	TMS Data1-
7	TMS Data0 Shield
8	TMS Data0+
9	TMS Data0-
10	TMS Clock Shield
11	TMS Clock+
12	TMS Clock-
13	DDO/CEC Ground
14	CEC
15	SCL
16	SDA
17	Utility
18	+5V Power
19	Hot Plug Detect

深圳市连欣科技有限公司

DIMENSIONS UNIT: mm		UNLESS OTHERWISE SPECIFIABLE	
DIMENSION	TOLERANCE		
X.X ±	0.25		
X.XX ±	0.10		
X.XXX ±	0.05		
ANGULAR: ±	1°		

PRODUCT NAME: MM-HDMI 19Pin CTYPER 规格: 0.80 前置插后座SMD B版	DRAWING: 朱新华	DATE: 2009/12/10
PRODUCT NO.: XDHP-1902-0681B	CHECK: JEFF	DATE: 2009/12/10
DRAWING NO.: LX009-19Q8B	APPROVED: JACK	DATE: 2009/12/10
SCALE: 1:1	DWG ID: P D	REV.: A
		PAGE: 1 of 1

REVISION NO.	1	DESCRIPTION	MARK	DATE
ECR NO.	2			