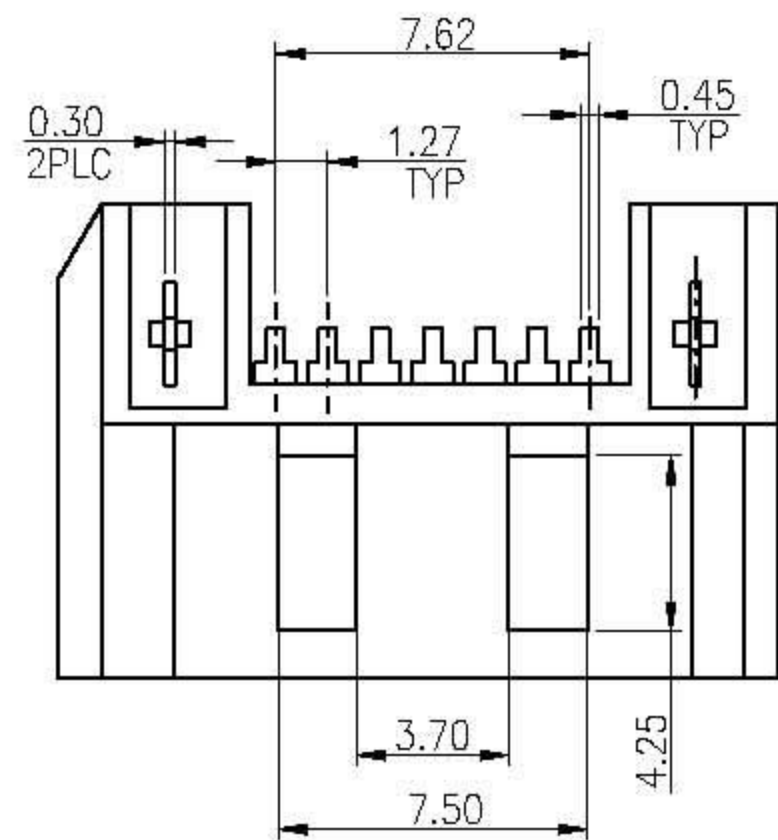


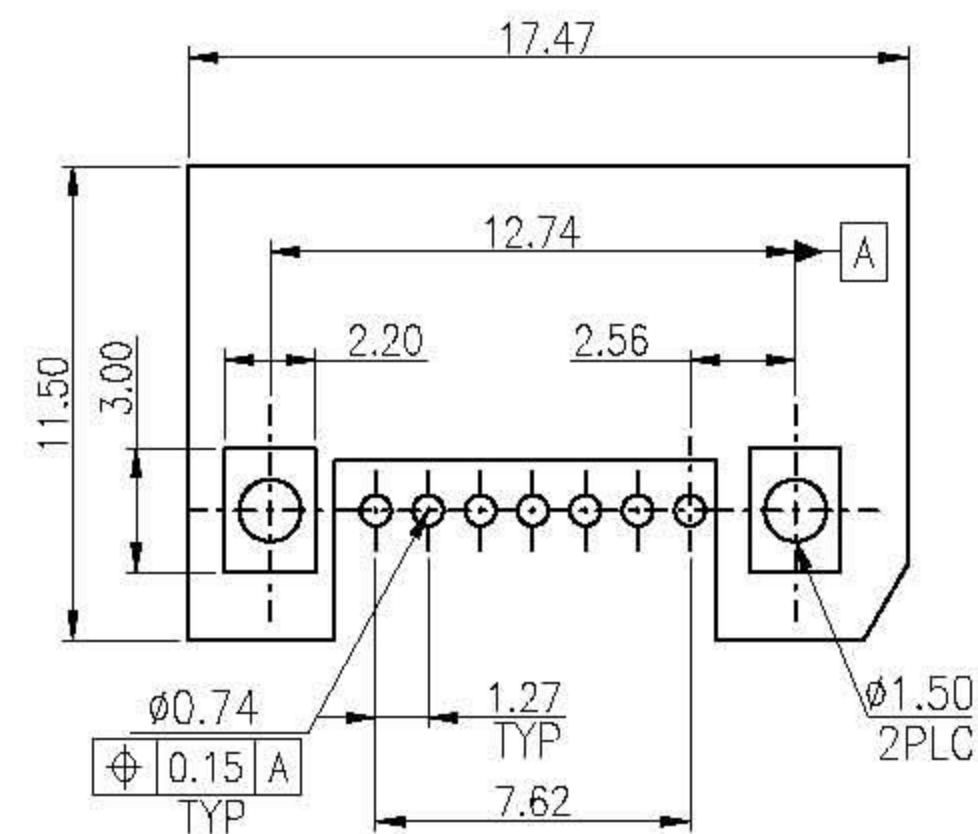
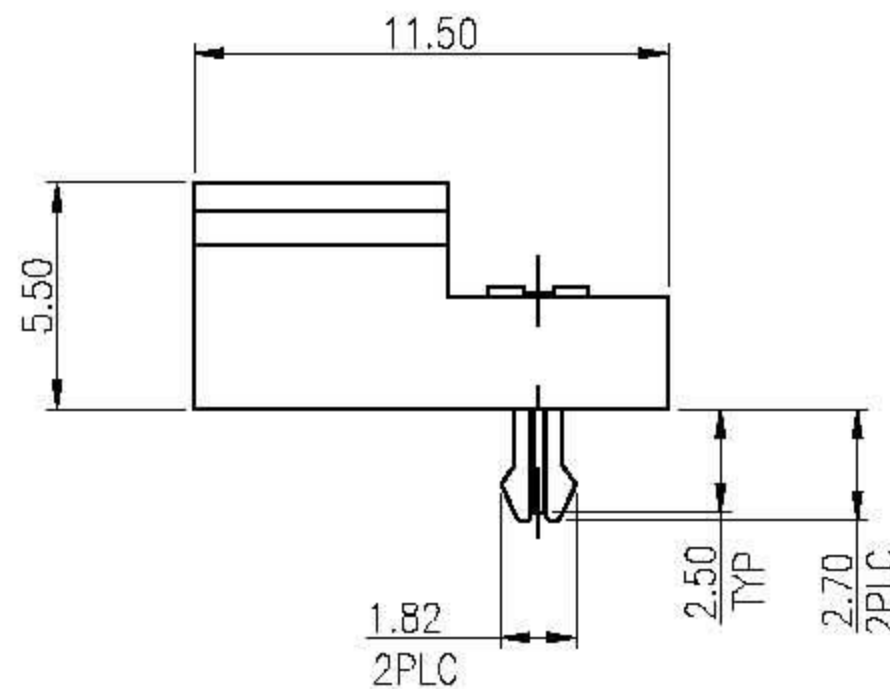
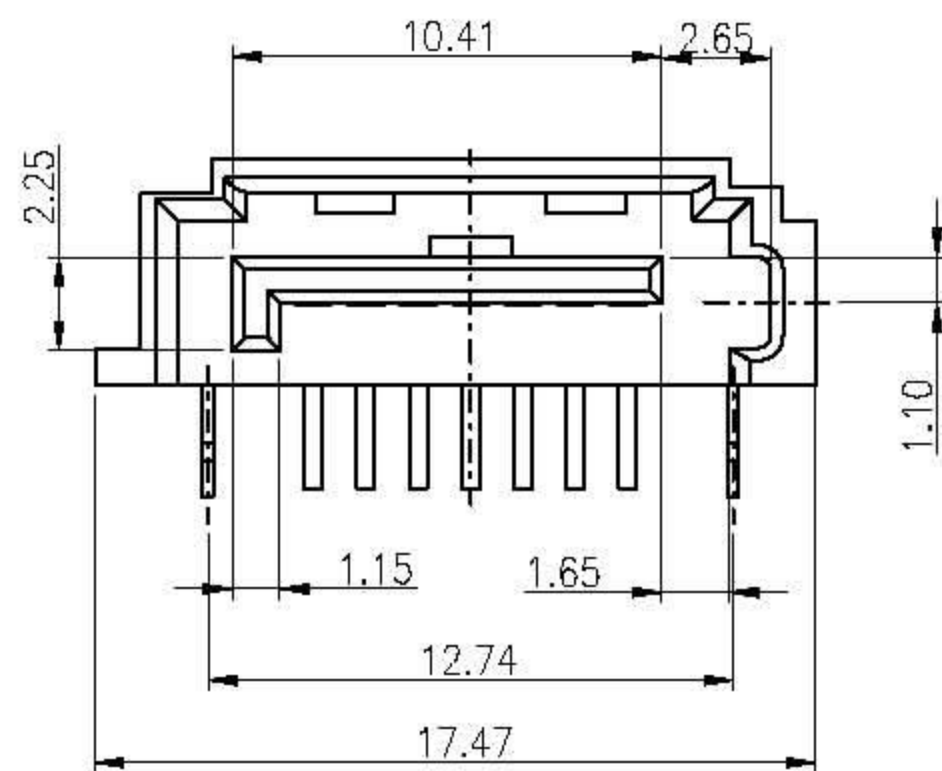
RoHS Compliant

REV.	ECN. NO.	DR.	DATE
A	NEW	Jeff	060910

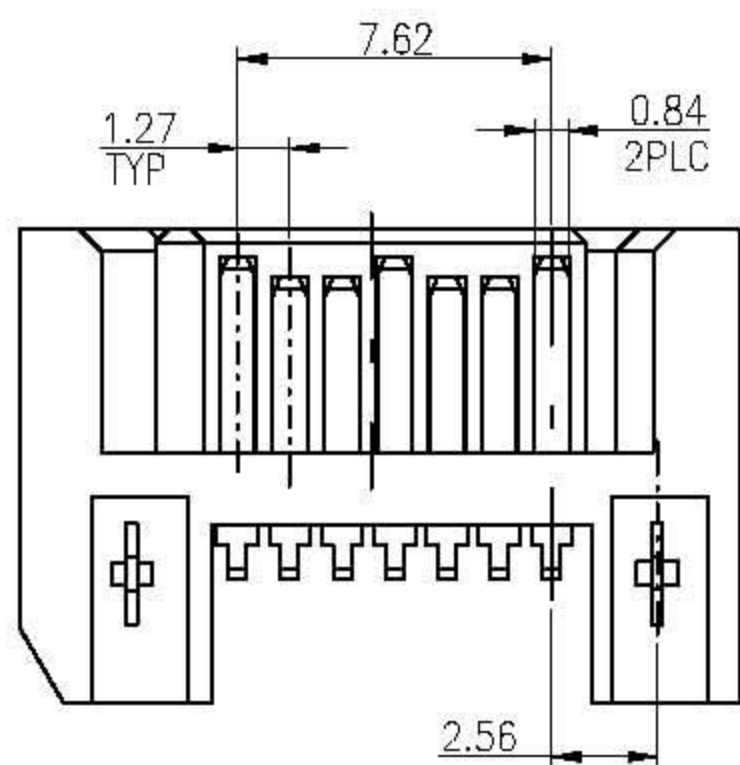


Ordering Information:
 11 07 53 X X X - X
 9:LCP ... 1:Tray ...
 9:BLACK ...
 1:Gold Flash/Tin
 2:15u" Gold/Tin
 3:30u" Gold/Tin
 ...

NOTES:
 1.MATERIAL:
 HOUSING:LCP 30% G/F UL94 V-0
 COLOR:BLACK
 CONTACT:BRASS T=0.25mm
 BOARD LOCK:BRASS T=0.30mm
 2.FINISH:
 CONTACT:GOLD FALSH/TIN PLATING ON CONTACT AREA
 100u" MIN.TIN PLATING ON SOLDERTAILS
 50u" MIN.NICKEL UNDERPLATING OVER ALL
 BOARD LOCK:100u"MIN.TIN PLATION ON SOLDERTAILS
 50u"MIN.TIN NICKEL UNDERPLATING OVER ALL



RECOMMEND PCB LAYOUT
 PCB TOLERANCE:±0.05



Title:		SATA 7P M R/A DIP Type三面包		深圳市连欣科技有限公司	
tolerances		app.	units	part no:	
linear	angles			<input checked="" type="checkbox"/> mm	XUTS-0711-0253
.x ±0.38	x.' ±5°	chk.	<input type="checkbox"/> inch	dwg no.	
.xx ±0.25	.x' ±2°		size	1153SATA	
.xxx ±0.15	.xx' ±1°	dr.	A4	sheet	
projection	revision.	date.	scale	1/1	
	A	071210	4:1		