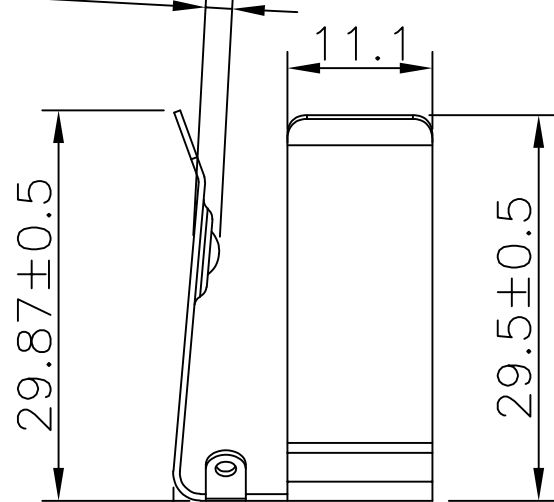


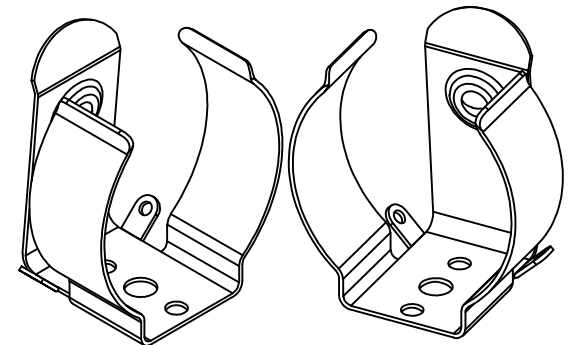
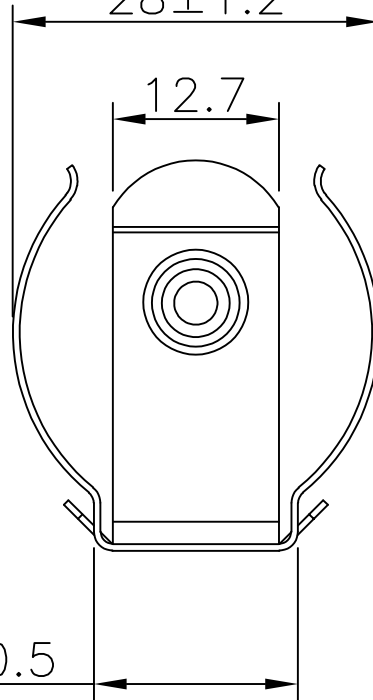


REV.	ECN NO.	REVISED	DATE

2.03±0.35



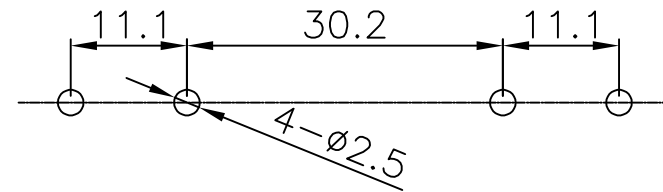
28±1.2



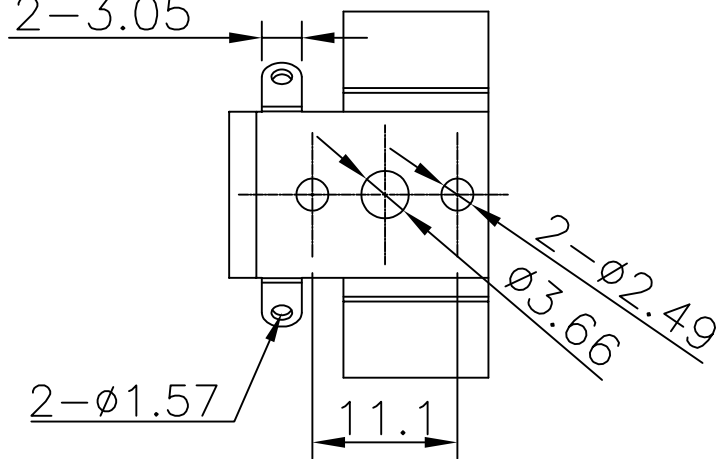
3D

19.8±0.5

15.6±0.5



2-3.05



工程部  
2023-02-09  
H. WANG

PCB Layout Diagram  
Top View 1:1.25

UNLESS OTHERWISE SPECIFIED TOLERANCES		<b>MYOUNG 美用</b> <a href="http://www.meiyangdz.com">www.meiyangdz.com</a>	
DECIMALS: X :±0.35 X.X :±0.25 X.XX :±0.20 X.XXX :±0.10	ANGLES: X :±1° X.X :±0.5°	DSND YangFeng	DATE 2023-02-09
		CHKD ZhouRuicai	DATE 2023-02-09
		APVD XueShunyong	DATE 2023-02-09
WEIGHT:g		SCALE:1:1	SIZE: A4
SHEET 1 OF 1		VIEW:	UNIT: mm
		REV.: A/0	OBJECT: MY
		TITLE: D型电池夹 铆接	
		PART NO.: MY-D-01	
		DRAW NO.:WD-CP-0261	

1	TERMINAL(+)	1	SPRING Steel T=0.50MM	Ni-Plating
NO.	PART NAME	Q'TY	MATERIAL	PLATING & COLOR