

National Semiconductor is now part of
Texas Instruments.

Search <http://www.ti.com/> for the latest technical
information and details on our current products and services.

LM195QML

Ultra Reliable Power Transistors

General Description

The LM195 is a fast, monolithic power integrated circuit with complete overload protection. This device, which acts as a high gain power transistor, has included on the chip, current limiting, power limiting, and thermal overload protection making it virtually impossible to destroy from any type of overload.

The inclusion of thermal limiting, a feature not easily available in discrete designs, provides virtually absolute protection against overload. Excessive power dissipation or inadequate heat sinking causes the thermal limiting circuitry to turn off the device preventing excessive heating.

The LM195 offers a significant increase in reliability as well as simplifying power circuitry. In some applications, where protection is unusually difficult, such as switching regulators, lamp or solenoid drivers where normal power dissipation is low, the LM195 is especially advantageous.

The LM195 is easy to use and only a few precautions need be observed. Excessive collector to emitter voltage can destroy the LM195 as with any power transistor. When the

device is used as an emitter follower with low source impedance, it is necessary to insert a 5.0k resistor in series with the base lead to prevent possible emitter follower oscillations. Although the device is usually stable as an emitter follower, the resistor eliminates the possibility of trouble without degrading performance. Finally, since it has good high frequency response, supply bypassing is recommended.

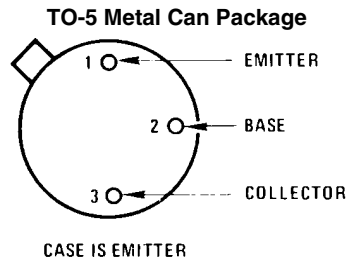
Features

- Internal thermal limiting
- Greater than 1.0A output current
- 3.0 μ A typical base current
- 500 ns switching time
- 2.0V saturation
- Base can be driven up to 40V without damage
- Directly interfaces with CMOS or TTL
- 100% electrical burn-in

Ordering Information

NS Part Number	SMD Part Number	NS Package Number	Package Description
LM195H/883	5962-8777801XA	H03B	3LD T0-5 Metal Can

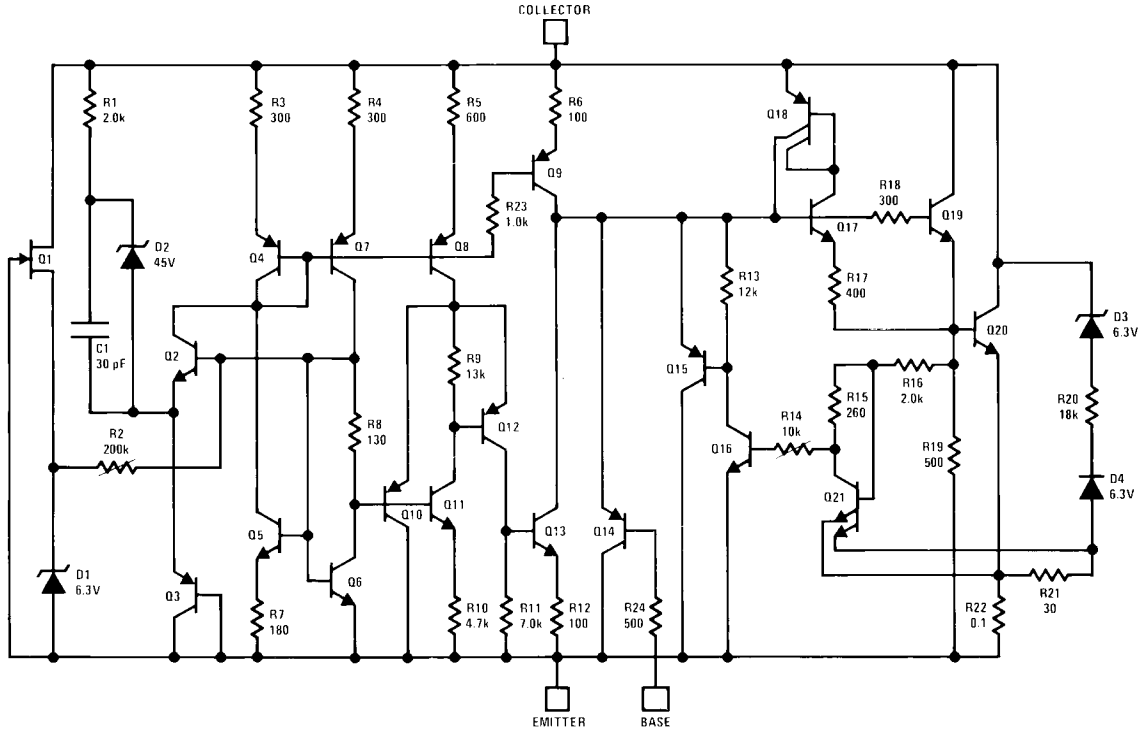
Connection Diagram



20156504

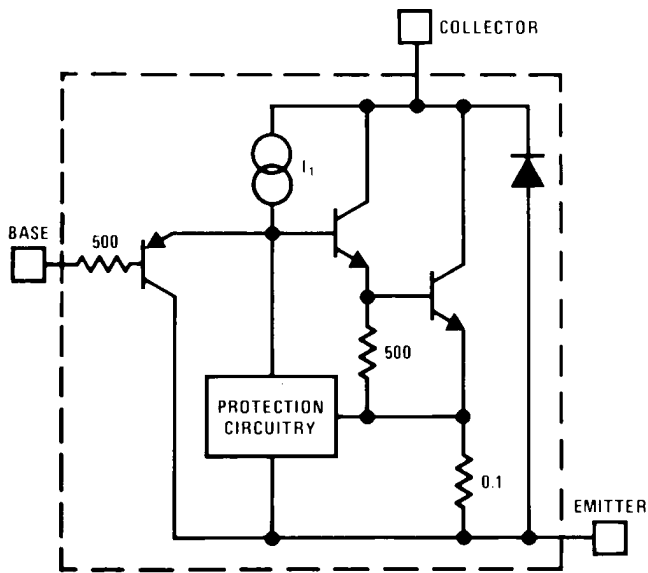
Bottom View
See NS Package Number H03B

Schematic Diagram



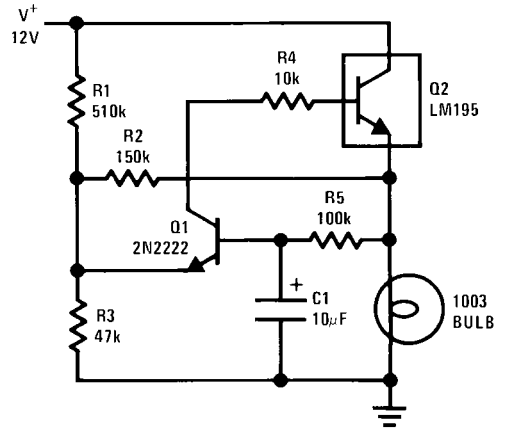
20156511

Simplified Circuit



20156501

1.0 Amp Lamp Flasher



20156516

Absolute Maximum Ratings *(Note 1)*

Collector to Emitter Voltage	42V
Collector to Base Voltage	42V
Base to Emitter Voltage (Forward)	42V
Base to Emitter Voltage (Reverse)	20V
Collector Current	Internally Limited
Power Dissipation <i>(Note 2)</i>	Internally Limited
Operating Temperature Range	
H-Pkg	$-55^{\circ}\text{C} \leq T_A \leq +125^{\circ}\text{C}$
Storage Temperature Range	$-65^{\circ}\text{C} \leq T_A \leq +150^{\circ}\text{C}$
Lead Temperature (Soldering, 10 sec.)	260°C
Thermal Resistance	
θ_{JA}	
H-Pkg; Still Air @ 0.5W	192°C/W
H-Pkg; 500LF/Min Air Flow @ 0.5W	66°C/W
θ_{JC}	
H-Pkg @ 1.0W	29°C/W

Quality Conformance Inspection

Mil-Std-883, Method 5005 - Group A

Subgroup	Description	Temp (°C)
1	Static tests at	+25
2	Static tests at	+125
3	Static tests at	-55
4	Dynamic tests at	+25
5	Dynamic tests at	+125
6	Dynamic tests at	-55
7	Functional tests at	+25
8A	Functional tests at	+125
8B	Functional tests at	-55
9	Switching tests at	+25
10	Switching tests at	+125
11	Switching tests at	-55
12	Settling time at	+25
13	Settling time at	+125
14	Settling time at	-55

LM195H/883 Electrical Characteristics

DC Parameter Collector to Emitter

Symbol	Parameter	Conditions	Notes	Min	Max	Unit	Sub-groups
V_{CE}	Operating Voltage	$I_C \leq I_{Max}$	(Note 3)		42	V	1, 2, 3

DC Parameter Base to Emitter

Symbol	Parameter	Conditions	Notes	Min	Max	Unit	Sub-groups
BV_{BE}	Breakdown Voltage	$V_{CE} \leq 42V$	(Note 3)	42		V	1, 2, 3
I_{SC}	Collector Current	$V_{CE} \leq 7V$		1.2		A	1
				1		A	2, 3
V_{Sat}	Saturation Voltage	$I_C = 1A$			2	V	1, 2
					2.5	V	3
I_B	Base Current	$0 \leq V_{BE} \leq 42V,$ $I_C \leq I_{Max}$			5	μA	1, 2, 3
I_Q	Quiescent Current	$V_{CE} = 42V, V_{BE} = 0V$			5	mA	1, 2, 3
V_{BK}	Breakdown Delta V_{BE}	$V_C = 46-42V,$ $I_L = 50mA$		-0.03	0.01	V	1
				-0.03	0.01	V	1
				-0.03	0.01	V	1
Thr	Thermal Response			-10	100	mV	1
				-10	70	mV	1
				-10	50	mV	1
				-10	10	mV	1

AC Parameter

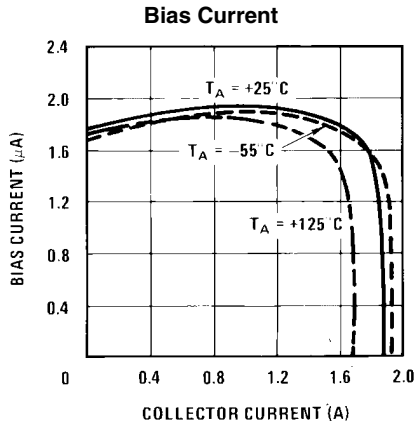
Symbol	Parameter	Conditions	Notes	Min	Max	Unit	Sub-groups
t_{ON}	Response Time	$V_I = 0-2V, R_L = 36\Omega,$ $V_+ = 36V$			1.8	μS	9, 10, 11
t_{OFF}	Response Time	$V_I = 2-0V, R_L = 36\Omega,$ $V_+ = 36V$			1.8	μS	9, 10, 11

Note 1: Absolute Maximum Ratings indicate limits beyond which damage to the device may occur. Operating Ratings indicate conditions for which the device is functional, but do not guarantee specific performance limits. For guaranteed specifications and test conditions, see the Electrical Characteristics. The guaranteed specifications apply only for the test conditions listed. Some performance characteristics may degrade when the device is not operated under the listed test conditions.

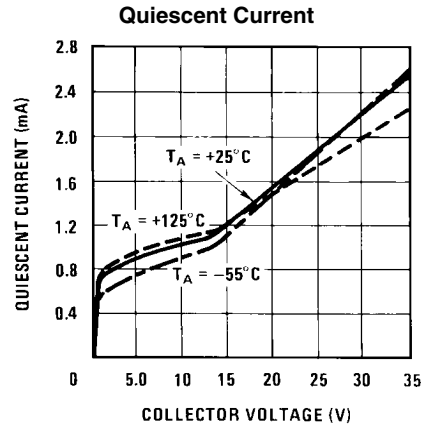
Note 2: The maximum power dissipation must be derated at elevated temperatures and is dictated by T_{Jmax} (maximum junction temperature), θ_{JA} (package junction to ambient thermal resistance), and T_A (ambient temperature). The maximum allowable power dissipation at any temperature is $P_{Dmax} = (T_{Jmax} - T_A) / \theta_{JA}$ or the number given in the Absolute Maximum Ratings, whichever is lower.

Note 3: Parameter tested go-no-go only.

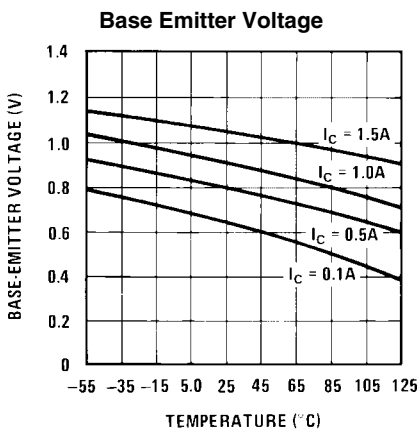
Typical Performance Characteristics



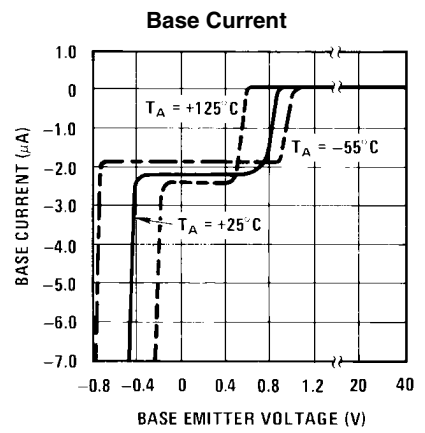
20156535



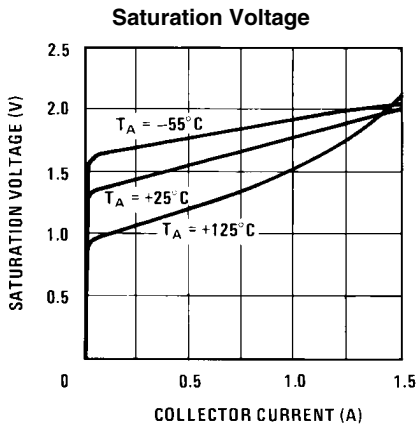
20156536



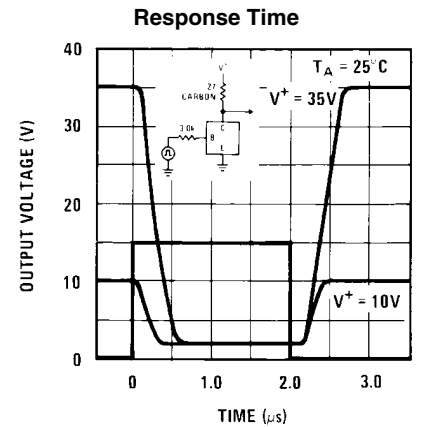
20156537



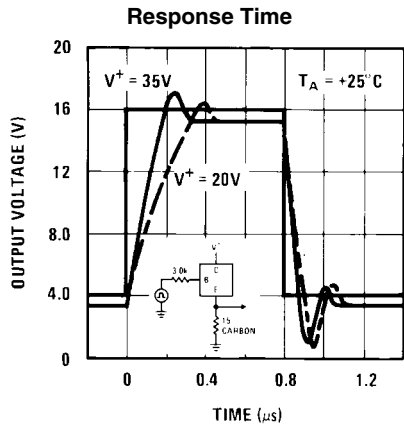
20156538



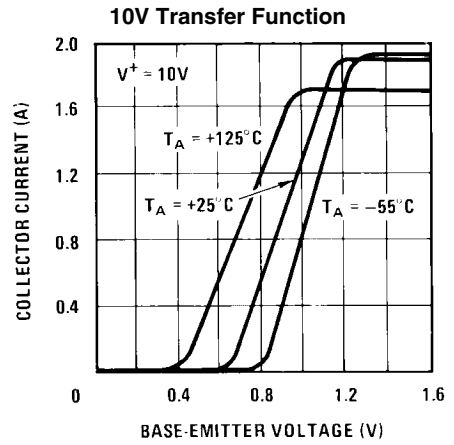
20156539



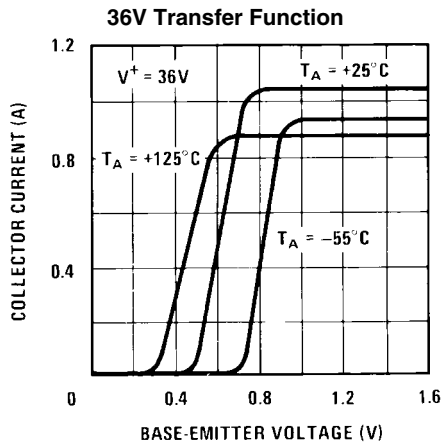
20156540



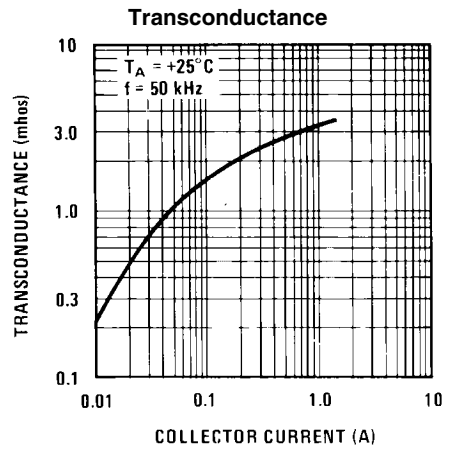
20156541



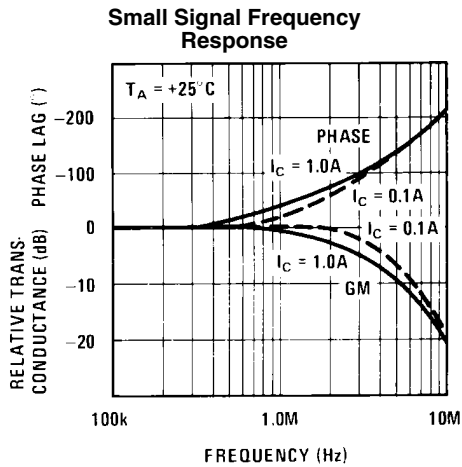
20156507



20156508



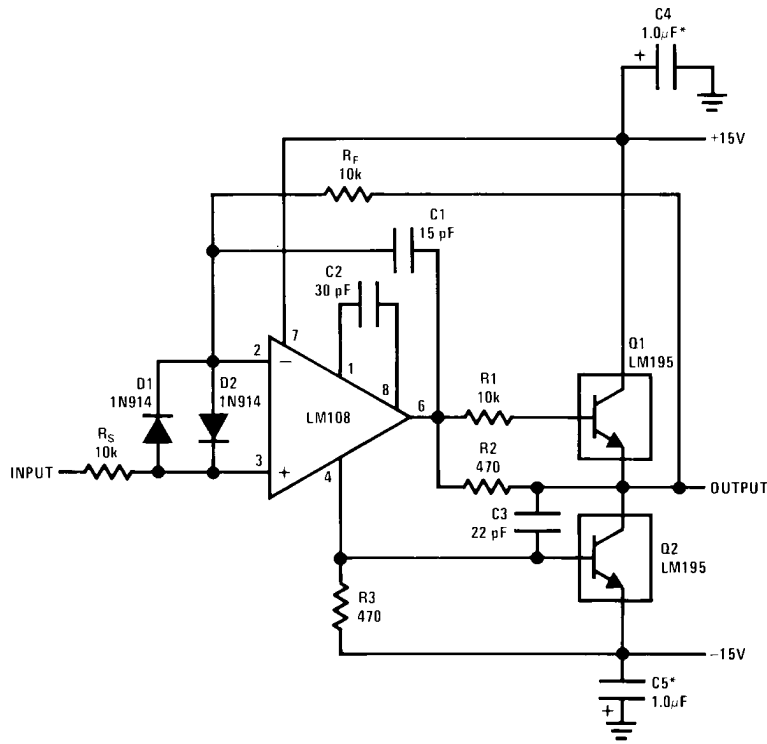
20156509



20156510

Typical Applications

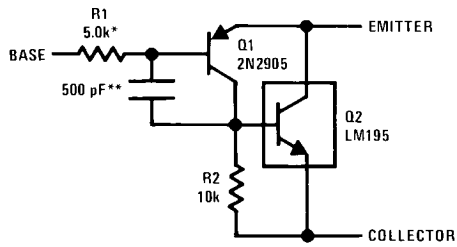
1.0 Amp Voltage Follower



20156512

*Solid Tantalum

Power PNP

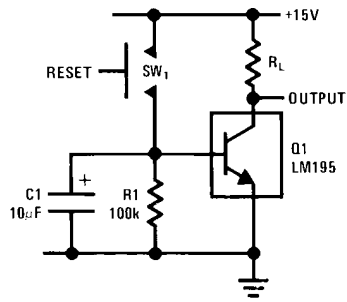


20156513

*Protects against excessive base drive

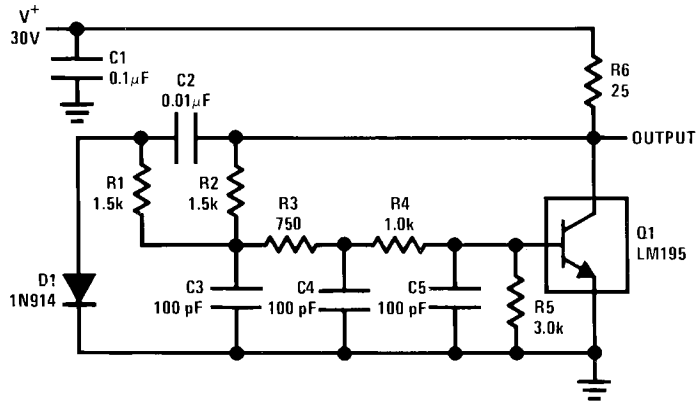
**Needed for stability

Time Delay



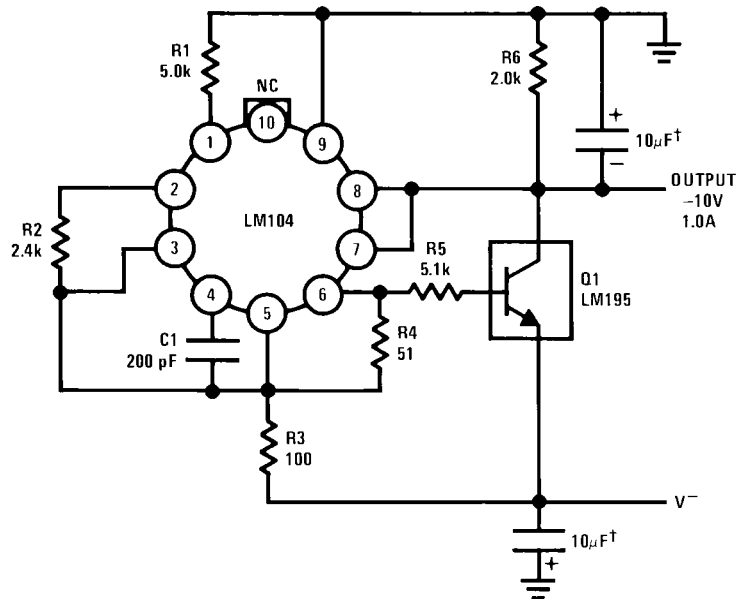
20156514

1.0 MHz Oscillator



20156515

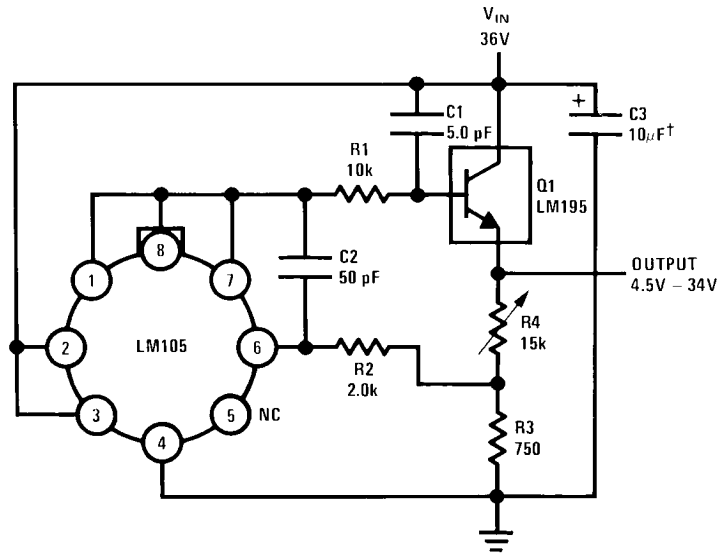
1.0 Amp Negative Regulator



20156517

†Solid Tantalum

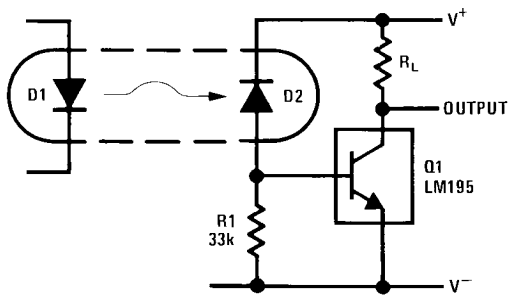
1.0 Amp Positive Voltage Regulator



20156518

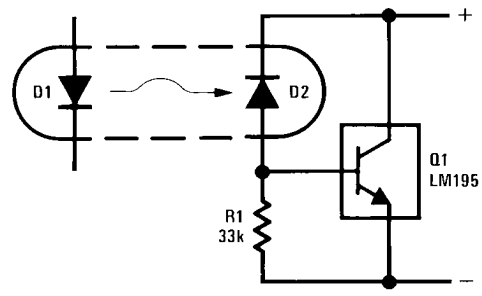
†Solid Tantalum

Fast Optically Isolated Switch



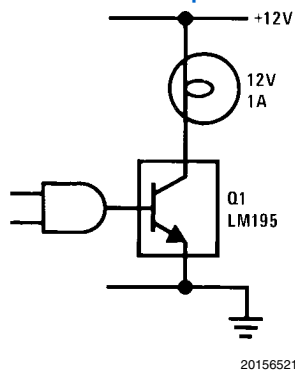
20156519

Optically Isolated Power Transistor



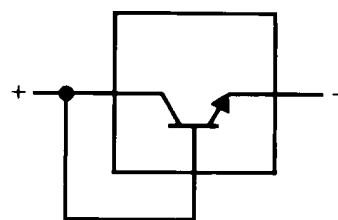
20156520

CMOS or TTL Lamp Interface

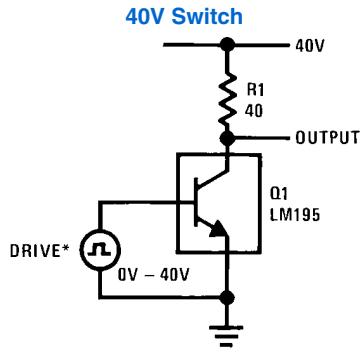


20156521

Two Terminal Current Limiter

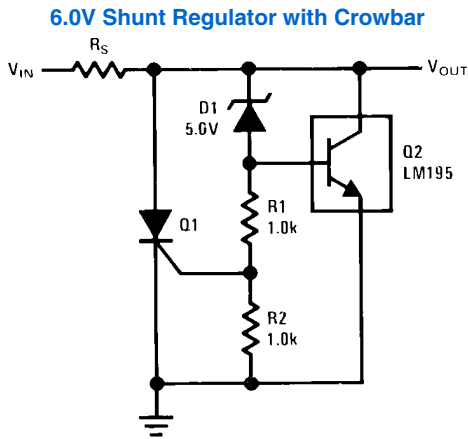


20156522



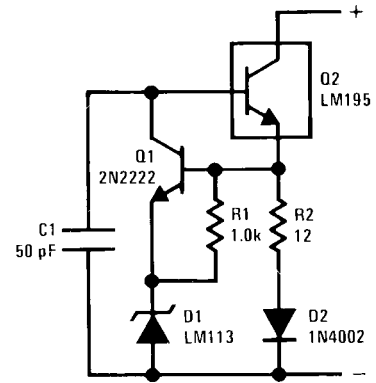
20156523

*Drive Voltage 0V to $\geq 10V \leq 42V$



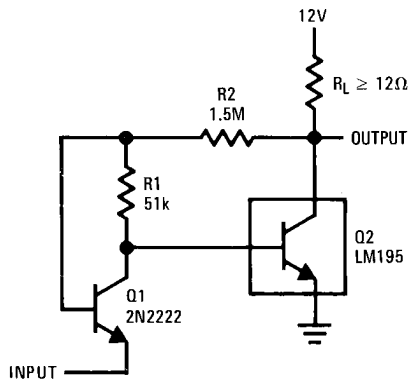
20156524

Two Terminal 100 mA Current Regulator



20156525

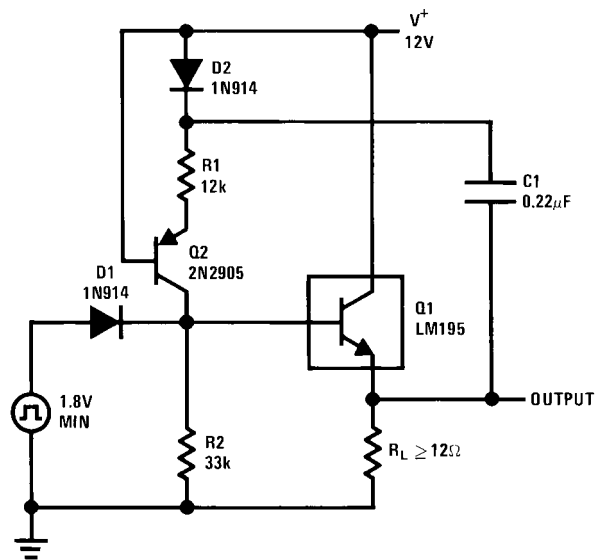
Low Level Power Switch



20156526

Turn ON = 350 mV
Turn OFF = 200 mV

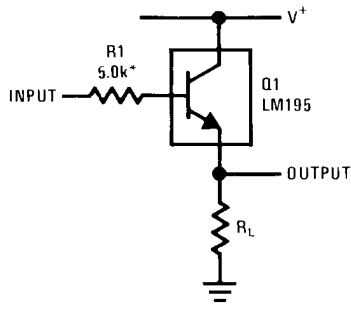
Power One-Shot



20156527

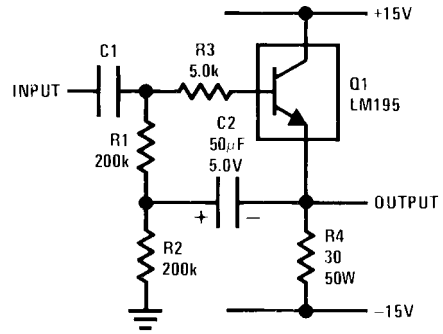
$T = R1C$
 $R2 = 3R1$
 $R2 \leq 82k$

Emitter Follower



20156528

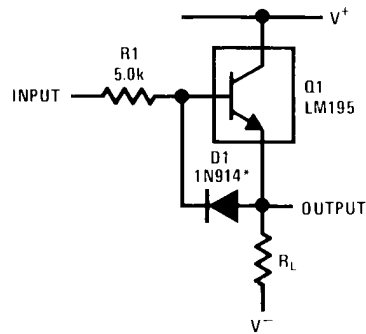
High Input Impedance AC Emitter Follower



20156529

*Need for Stability

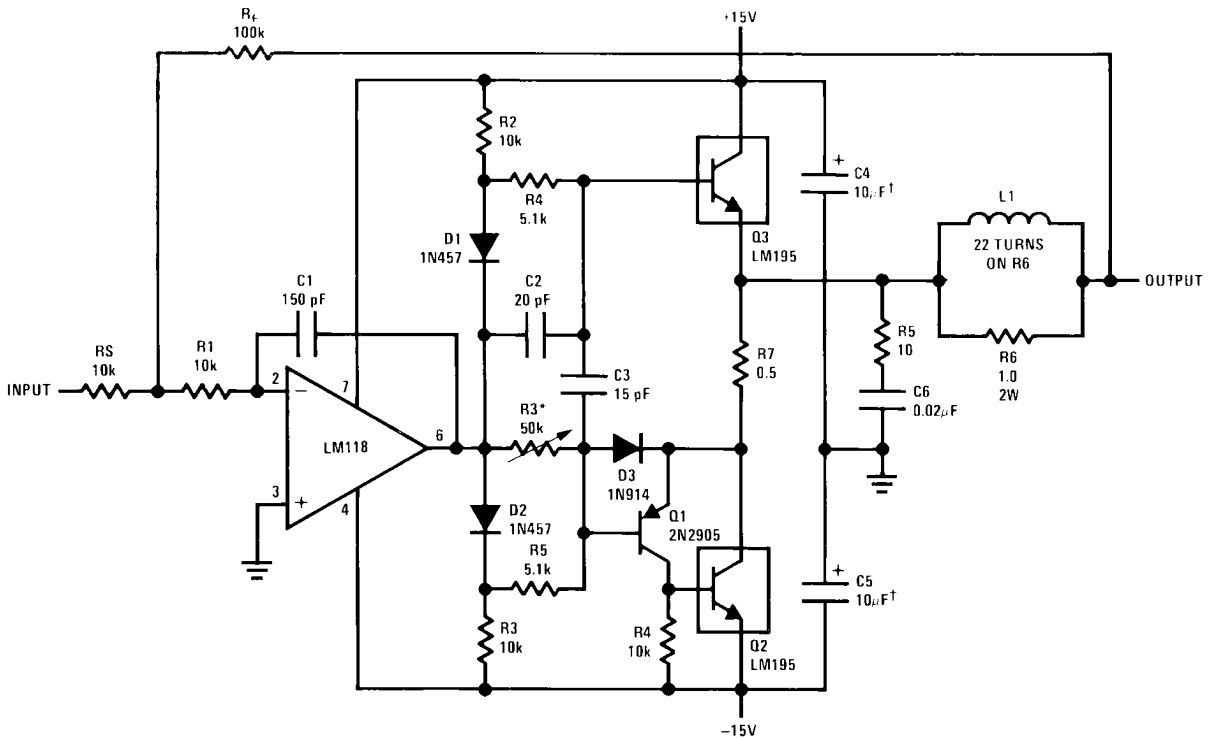
Fast Follower



20156530

*Prevents storage with fast fall time square wave drive

Power Op Amp

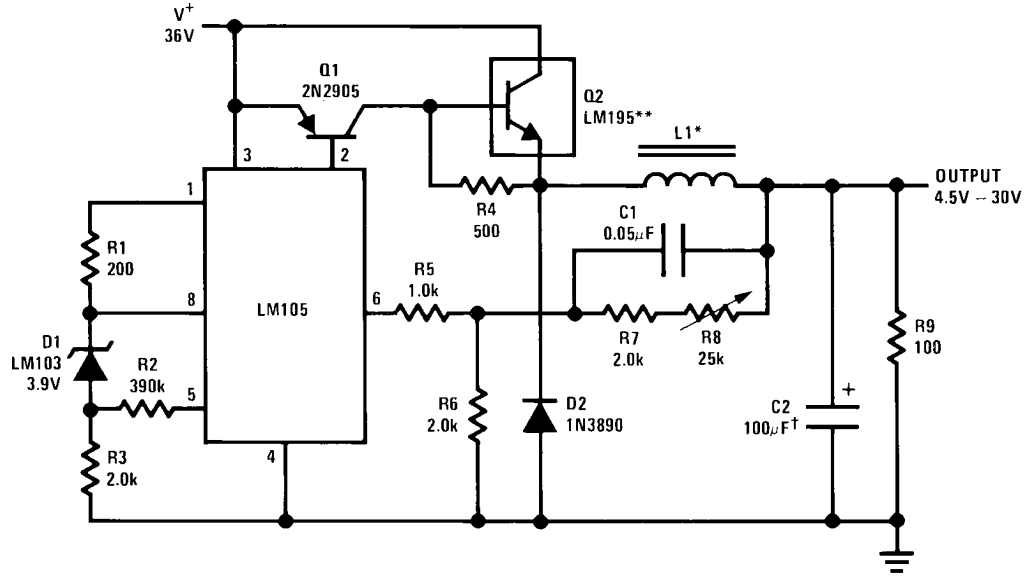


20156531

*Adjust for 50 mA quiescent current

†Solid Tantalum

6.0 Amp Variable Output Switching Regulator



*Sixty turns wound on Arnold Type A-083081-2 core.

**Four devices in parallel

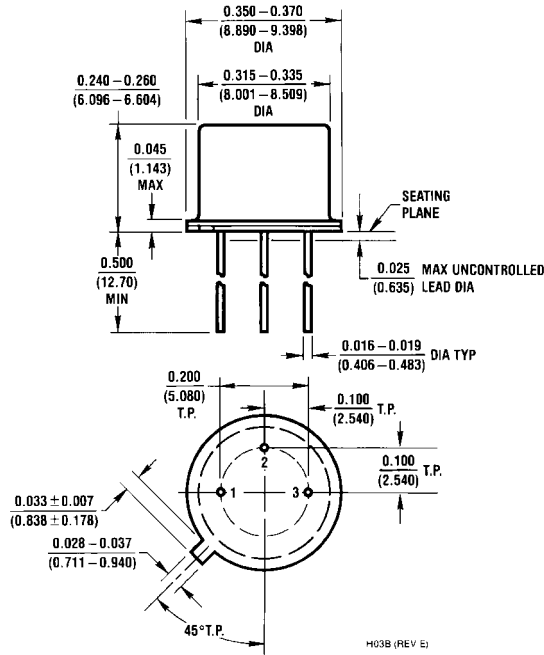
†Solid tantalum

20156532

Revision History Section

Released	Revision	Section	Changes
11/30/2010	A	New Release, Corporate format	1 MDS data sheets converted into one Corp. data sheet format. MNLM195-H Rev 0BL will be archived.

Physical Dimensions inches (millimeters) unless otherwise noted



TO-5 Metal Can Package
NS Package Number H03B

H03B (REV E)

Notes

Notes

For more National Semiconductor product information and proven design tools, visit the following Web sites at:
www.national.com

Products		Design Support	
Amplifiers	www.national.com/amplifiers	WEBENCH® Tools	www.national.com/webench
Audio	www.national.com/audio	App Notes	www.national.com/appnotes
Clock and Timing	www.national.com/timing	Reference Designs	www.national.com/refdesigns
Data Converters	www.national.com/adc	Samples	www.national.com/samples
Interface	www.national.com/interface	Eval Boards	www.national.com/evalboards
LVDS	www.national.com/lvds	Packaging	www.national.com/packaging
Power Management	www.national.com/power	Green Compliance	www.national.com/quality/green
Switching Regulators	www.national.com/switchers	Distributors	www.national.com/contacts
LDOs	www.national.com/ldo	Quality and Reliability	www.national.com/quality
LED Lighting	www.national.com/led	Feedback/Support	www.national.com/feedback
Voltage References	www.national.com/vref	Design Made Easy	www.national.com/easy
PowerWise® Solutions	www.national.com/powerwise	Applications & Markets	www.national.com/solutions
Serial Digital Interface (SDI)	www.national.com/sdi	Mil/Aero	www.national.com/milaero
Temperature Sensors	www.national.com/tempensors	SolarMagic™	www.national.com/solarmagic
PLL/VCO	www.national.com/wireless	PowerWise® Design University	www.national.com/training

THE CONTENTS OF THIS DOCUMENT ARE PROVIDED IN CONNECTION WITH NATIONAL SEMICONDUCTOR CORPORATION ("NATIONAL") PRODUCTS. NATIONAL MAKES NO REPRESENTATIONS OR WARRANTIES WITH RESPECT TO THE ACCURACY OR COMPLETENESS OF THE CONTENTS OF THIS PUBLICATION AND RESERVES THE RIGHT TO MAKE CHANGES TO SPECIFICATIONS AND PRODUCT DESCRIPTIONS AT ANY TIME WITHOUT NOTICE. NO LICENSE, WHETHER EXPRESS, IMPLIED, ARISING BY ESTOPPEL OR OTHERWISE, TO ANY INTELLECTUAL PROPERTY RIGHTS IS GRANTED BY THIS DOCUMENT.

TESTING AND OTHER QUALITY CONTROLS ARE USED TO THE EXTENT NATIONAL DEEMS NECESSARY TO SUPPORT NATIONAL'S PRODUCT WARRANTY. EXCEPT WHERE MANDATED BY GOVERNMENT REQUIREMENTS, TESTING OF ALL PARAMETERS OF EACH PRODUCT IS NOT NECESSARILY PERFORMED. NATIONAL ASSUMES NO LIABILITY FOR APPLICATIONS ASSISTANCE OR BUYER PRODUCT DESIGN. BUYERS ARE RESPONSIBLE FOR THEIR PRODUCTS AND APPLICATIONS USING NATIONAL COMPONENTS. PRIOR TO USING OR DISTRIBUTING ANY PRODUCTS THAT INCLUDE NATIONAL COMPONENTS, BUYERS SHOULD PROVIDE ADEQUATE DESIGN, TESTING AND OPERATING SAFEGUARDS.

EXCEPT AS PROVIDED IN NATIONAL'S TERMS AND CONDITIONS OF SALE FOR SUCH PRODUCTS, NATIONAL ASSUMES NO LIABILITY WHATSOEVER, AND NATIONAL DISCLAIMS ANY EXPRESS OR IMPLIED WARRANTY RELATING TO THE SALE AND/OR USE OF NATIONAL PRODUCTS INCLUDING LIABILITY OR WARRANTIES RELATING TO FITNESS FOR A PARTICULAR PURPOSE, MERCHANTABILITY, OR INFRINGEMENT OF ANY PATENT, COPYRIGHT OR OTHER INTELLECTUAL PROPERTY RIGHT.

LIFE SUPPORT POLICY

NATIONAL'S PRODUCTS ARE NOT AUTHORIZED FOR USE AS CRITICAL COMPONENTS IN LIFE SUPPORT DEVICES OR SYSTEMS WITHOUT THE EXPRESS PRIOR WRITTEN APPROVAL OF THE CHIEF EXECUTIVE OFFICER AND GENERAL COUNSEL OF NATIONAL SEMICONDUCTOR CORPORATION. As used herein:

Life support devices or systems are devices which (a) are intended for surgical implant into the body, or (b) support or sustain life and whose failure to perform when properly used in accordance with instructions for use provided in the labeling can be reasonably expected to result in a significant injury to the user. A critical component is any component in a life support device or system whose failure to perform can be reasonably expected to cause the failure of the life support device or system or to affect its safety or effectiveness.

National Semiconductor and the National Semiconductor logo are registered trademarks of National Semiconductor Corporation. All other brand or product names may be trademarks or registered trademarks of their respective holders.

Copyright© 2010 National Semiconductor Corporation

For the most current product information visit us at www.national.com



**National Semiconductor
Americas Technical
Support Center**
Email: support@nsc.com
Tel: 1-800-272-9959

**National Semiconductor Europe
Technical Support Center**
Email: europe.support@nsc.com

**National Semiconductor Asia
Pacific Technical Support Center**
Email: ap.support@nsc.com

**National Semiconductor Japan
Technical Support Center**
Email: jpn.feedback@nsc.com