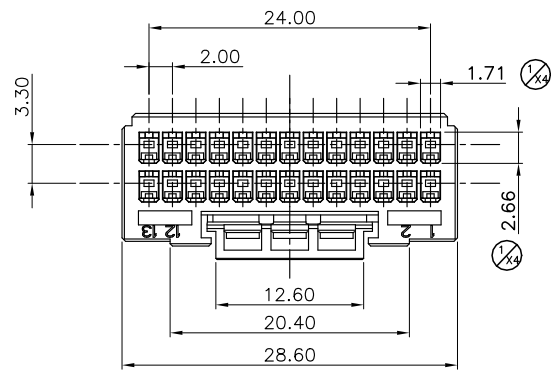


HF
Halogen Free

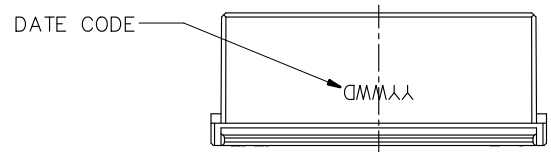
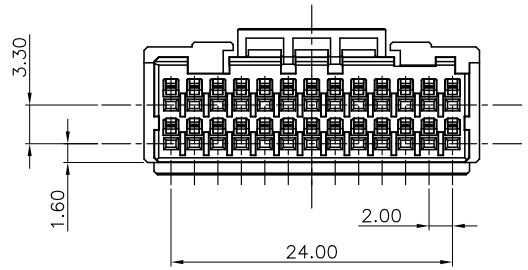
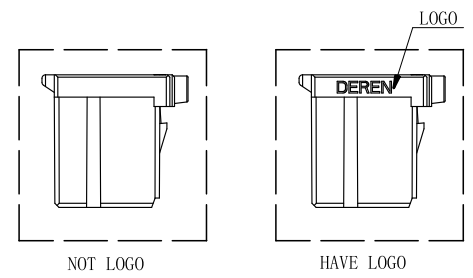
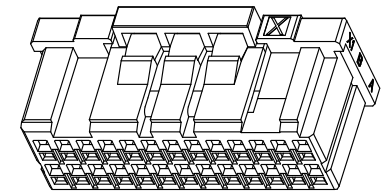
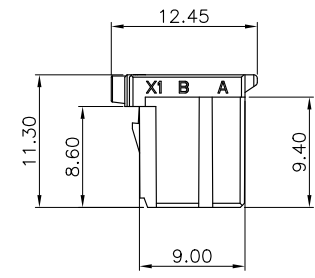
REV.	ECN NO.	LOCATION	DESCRIPTION	DATE	DESIGN
X1			INITIAL RELEASE	2022.02.19	Liangkeyao
X2		①/②	新增料号编码	2022.03.23	JACKY
X3		①/③	增加DATE CODE	2022.11.03	Tanghaibo
X4		①/④	图面增加尺寸	2023.06.01	Tanghaibo



NOTES:
 1. MATERIAL: HIGH TEMPERATURE THERMOPLASTIC UL94V-0
 2. THE SHAPE, SIZE AND POSITION OF THE CHARACTER SHOW THE OUTLINE. THEY DON'T SHOW DETAILS.
 3. THE SYMMETRIC WITH "X"
 4. PART NUMBER: SEE TABLE
 5. DATE CODE:YYWWD
 YY:YEAR(22:2022)
 WW:WEEK(25:THE 25TH WEEK)
 D:DAY(1~7:SUNDAY~SATURDAY)

PART NUMBER INFORMATION:
 560SBG-002H * * * 00000

- RESERVE NUMBER
- PACKAGE CODE:
 T: TRAY PACKING
 P: TUBE PACKING
 B: BAG PACING
- LOGO:
 1: WITH DEREN LOGO
 2: WITHOUT LOGO
- HOUSING COLOR:
 1: BLACK
 2: WHITE



DIM	TOL	DIM	TOL
x.	±0.30	x.	±5°
.x	±0.30	.x	±3°
.xx	±0.30		

DEREN
SHENZHEN DEREN ELECTRONIC CO., LTD

CUSTOMER DRAWING		DATE	TITLE: WTB Female 26P HSG
DRAW NO. SC2208090-1	DESIGN: tanghaibo	2023.06.01	P/N: 560SBG-002H***00000
REV. X4	CHECK:		SHEET: 1/1
APPROVAL:			SCALE: 1:1 UNIT: mm