



DRV3204-Q1 Three-Phase Brushless Motor Driver

Not Recommended for New Designs

1 Features

- 3-Phase Pre-Drivers for N-Channel MOS Field-Effect Transistors (MOSFETs)
- Pulse-Width Modulation (PWM) Frequency up to 20 kHz
- Fault Diagnostics
- Charge Pump
- Phase Comparators
- Microcontroller (MCU) Reset Generator
- Serial Port I/F (SPI)
- Motor-Current Sense
- 5-V Regulator
- Low-Current Sleep Mode
- Operation VB Range From 5.3 V to 26.5 V
- 48-Pin PHP

2 Applications

- Oil Pump
- Fuel Pump
- Water Pump

3 Description

The DRV3204-Q1 device is a field-effect transistor (FET) pre-driver designed for three-phase motor control for applications such as an oil pump or a water pump. The device has three high-side pre-FET drivers and three low-side drivers which are under the control of an external MCU. A charge pump supplies the power for the high side, and there is no requirement for a bootstrap capacitor. For commutation, this integrated circuit (IC) sends a conditional motor signal and output to the MCU. Diagnostics provide undervoltage, overvoltage, overcurrent, overtemperature and power-bridge faults. One can measure the motor current using an integrated current-sense amplifier and comparator in a battery common-mode range, which allows the use of the motor current in a high-side current-sense application. External resistors set the gain. One can configure the pre-drivers and other internal settings through the SPI.

Device Information⁽¹⁾

PART NUMBER	PACKAGE	BODY SIZE (NOM)
DRV3204-Q1	HTQFP (48)	7.00 mm x 7.00 mm

(1) For all available packages, see the orderable addendum at the end of the datasheet.

Typical Application Schematic

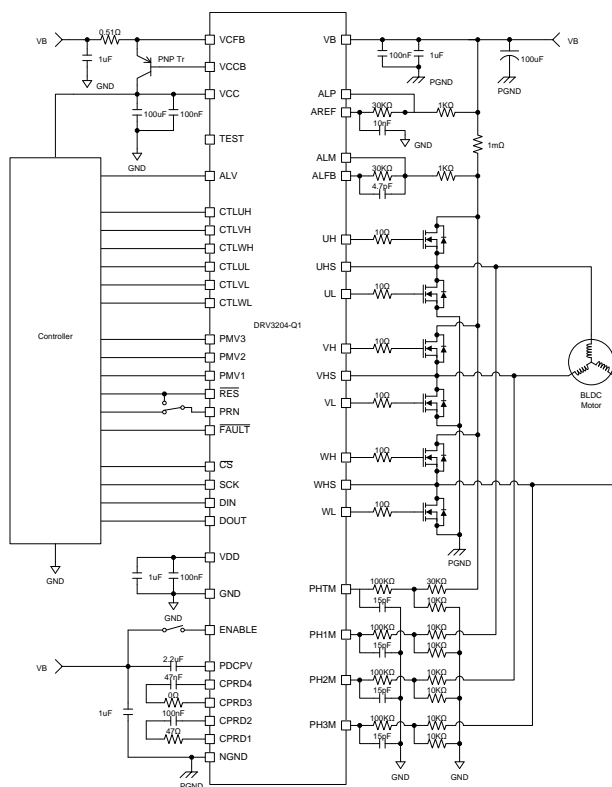


Table of Contents

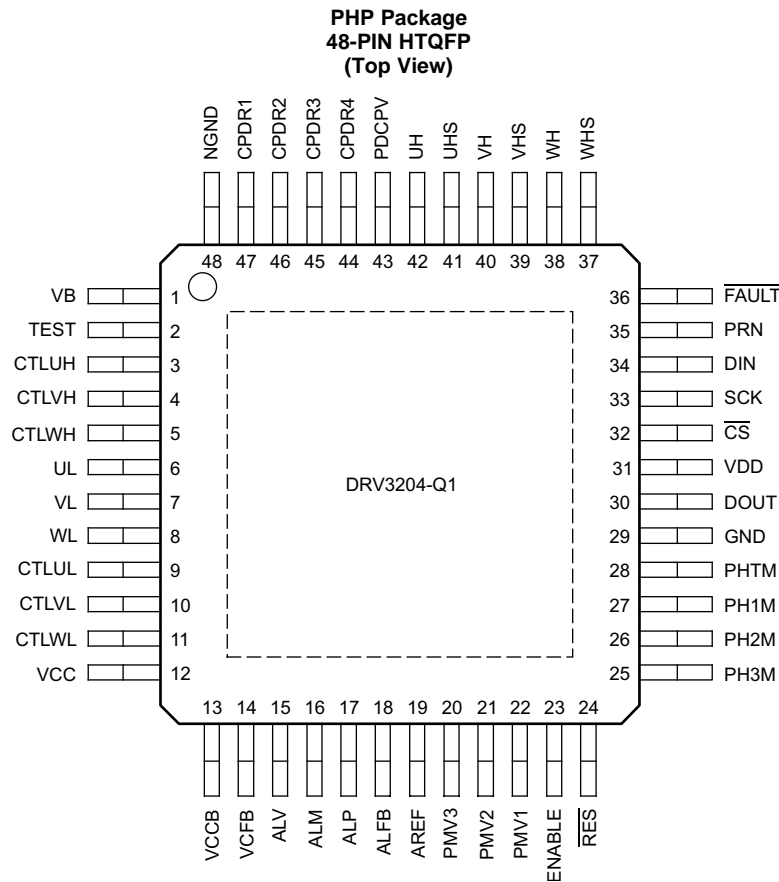
1 Features	1	7.1 Functional Block Diagram	13
2 Applications	1	7.2 Feature Description	13
3 Description	1	7.3 Register Maps	24
4 Revision History	2	8 Application and Implementation	31
5 Pin Configuration and Functions	3	8.1 Typical Application	31
6 Specifications	4	9 Device and Documentation Support	32
6.1 Absolute Maximum Ratings	4	9.1 Receiving Notification of Documentation Updates ..	32
6.2 ESD Ratings	4	9.2 Community Resources	32
6.3 Thermal Information	5	9.3 Trademarks	32
6.4 Electrical Characteristics	5	9.4 Electrostatic Discharge Caution	32
6.5 Supply Voltage and Current	9	9.5 Glossary	32
7 Detailed Description	13	10 Mechanical, Packaging, and Orderable Information	32

4 Revision History

Changes from Revision B (July 2013) to Revision C	Page
<ul style="list-style-type: none"> Added <i>Pin Configuration and Functions</i> section, <i>ESD Ratings</i> table, <i>Feature Description</i> section, <i>Application and Implementation</i> section, <i>Device and Documentation Support</i> section, and <i>Mechanical, Packaging, and Orderable Information</i> section 	1

Changes from Revision A (March 2013) to Revision B	Page
<ul style="list-style-type: none"> Changed Operation VB Range in Features Changed Applications from automotive to include specific pump applications Added PDCPV to all output voltage parameters in the <i>Charge-Pump Electrical Characteristics</i> table Changed VGain max value to the typ value in the <i>Motor Current-Sense Electrical Characteristics</i> table Added UNIT of VGain in the <i>Motor Current-Sense Electrical Characteristics</i> table Added VBOVhys parameter to the <i>VB Monitor</i> table and added corresponding table note ⁽¹⁾ Added VBUVhys parameter to the <i>VB Monitor</i> table and added corresponding table note ⁽¹⁾ Added VB3 parameter to the <i>SUPPLY VOLTAGE AND CURRENT</i> table and added corresponding table note ⁽²⁾ Changed ACE-Q100 from Grade 0 to Grade 1 in table note ⁽¹⁾ of <i>Supply Voltage and Current</i> Deleted EEPROM going into the Control Logic from the <i>Top Block Diagram</i> Changed <i>Charge-Pump Block Diagram</i> by moving line to connection by VF Changed <i>VDD Block Diagram</i> by removing OC current limit and resistor to VB Changed <i>Application Description</i> image by moving connecting line between UH, UHS, and UL 	1 1 5 7 7 8 8 9 9 13 16 20 31

5 Pin Configuration and Functions



Pin Functions

PIN		TYPE	MAXIMUM RATING	FUNCTION
NAME	NO.			
ALFB	18	O	-0.3 V-40 V	Motor current-sense amplifier feedback
ALM	16	I	-0.3 V-40 V	Motor current-sense amplifier negative input
ALP	17	I	-0.3 V-40 V	Motor current-sense amplifier positive input
ALV	15	O	-0.3 V-6 V	Motor current-sense amplifier output
AREF	19	O	-0.3 V-40 V	Reference output of motor current- sense amplifier
CPDR1	47	O	-0.3 V-40 V	Charge-pump output
CPDR2	46	O	-0.3 V-40 V	Charge-pump output
CPDR3	45	O	-0.3 V-40 V	Charge-pump output
CPDR4	44	O	-0.3 V-40 V	Charge-pump output
$\overline{\text{CS}}$	32	I	-0.3 V-6 V	SPI chip select
CTLUH	3	I	-0.3 V-6 V	Pre-driver parallel input
CTLUL	9	I	-0.3 V-6 V	Pre-driver parallel input
CTLVH	4	I	-0.3 V-6 V	Pre-driver parallel input
CTLVL	10	I	-0.3 V-6 V	Pre-driver parallel input
CTLWH	5	I	-0.3 V-6 V	Pre-driver parallel input
CTLWL	11	I	-0.3 V-6 V	Pre-driver parallel input
DIN	34	I	-0.3 V-6 V	SPI data input
DOUT	30	O	-0.3 V-6 V	SPI data output

DRV3204-Q1

SLVSBT3C – MARCH 2013 – REVISED JULY 2016

www.ti.com

Pin Functions (continued)

PIN		TYPE	MAXIMUM RATING	FUNCTION
NAME	NO.			
ENABLE	23	I	-0.3 V-40 V	Enable input
$\overline{\text{FAULT}}$	36	O	-0.3 V-6 V	Diagnosis output
GND	29	I	-0.3 V-0.3 V	GND
NGND	48	I	-0.3 V-0.3 V	Power GND
PDCPV	43	O	-0.3 V-40 V	Charge pump output
PH1M	27	I	-1 V-40 V	Phase comparator input
PH2M	26	I	-1 V-40 V	Phase comparator input
PH3M	25	I	-1 V-40 V	Phase comparator input
PHTM	28	I	-1 V-40 V	Phase comparator reference input
PMV1	22	O	-0.3 V-6 V	Phase comparator output
PMV2	21	O	-0.3 V-6 V	Phase comparator output
PMV3	20	O	-0.3 V-6 V	Phase comparator output
PRN	35	I	-0.3 V-6 V	Watchdog timer-pulse input
$\overline{\text{RES}}$	24	O	-0.3 V-6 V	MCU reset output
SCK	33	I	-0.3 V-6 V	SPI clock
TEST	2	I	-0.3 V-20 V	TEST input
UH	42	O	-5 V-40 V	Pre-driver output
UHS	41	O	-5 V-40 V	Pre-driver reference
UL	6	O	-0.3 V-20 V	Pre-driver output
VB	1	I	-0.3 V-40 V	VB input
VCC	12	I	-0.3 V-6 V	VCC supply input
VCCB	13	O	-0.3 V-40 V	VCC regulator base driver of PNP external transistor
VCFB	14	I	-0.3 V-40 V	VCC regulator current-sense input
VDD	31	O	-0.3 V-3.6 V	VDD supply output
VH	40	O	-5 V-40 V	Pre-driver output
VHS	39	O	-5 V-40 V	Pre-driver reference
VL	7	O	-0.3 V-20 V	Pre-driver output
WH	38	O	-5 V-40 V	Pre-driver output
WHS	37	O	-5 V-40 V	Pre-driver reference
WL	8	O	-0.3 V-20 V	Pre-driver output

6 Specifications**6.1 Absolute Maximum Ratings**

over operating free-air temperature range (unless otherwise noted)

		MIN	MAX	UNIT
T_A	Operating temperature range	-40	125	°C
T_J	Junction temperature	-40	150	°C
T_{stg}	Storage temperature	-55	175	°C

6.2 ESD Ratings

		VALUE	UNIT
$V_{(ESD)}$	Electrostatic discharge ⁽¹⁾	Human-body model (HBM)	±2000
		Charged-device model (CDM)	±500

(1) Performance of ESD testing is according to the ACE-Q100 standard.

6.3 Thermal Information

THERMAL METRIC		DRV3204-Q1	UNIT
		PHP (HTQFP)	
		48 PINS	
θ_{JA}	Junction-to-ambient thermal resistance	26.1	°C/W
θ_{JCTop}	Junction-to-case (top) thermal resistance	11.5	°C/W
θ_{JB}	Junction-to-board thermal resistance	7.2	°C/W
ψ_{JT}	Junction-to-top characterization parameter	0.2	°C/W
ψ_{JB}	Junction-to-board characterization parameter	7.1	°C/W
θ_{JCbott}	Junction-to-case (bottom) thermal resistance	0.4	°C/W

6.4 Electrical Characteristics

 $V_B = 12\text{ V}$, $T_A = -40^\circ\text{C}$ to 125°C (unless otherwise specified)

PARAMETER		TEST CONDITIONS	MIN	TYP	MAX	UNIT
WATCHDOG						
VSTN ⁽¹⁾	Function start VCC voltage \overline{RES}	See Figure 1	-	0.8	1.3	V
t_{ON} ⁽¹⁾	Power-on time \overline{RES}		2.5	3	3.5	ms
t_{OFF} ⁽¹⁾	Clock-off reset time \overline{RES}		64	80	96	ms
t_{RL} ⁽¹⁾	Reset-pulse low time \overline{RES}		16	20	24	ms
t_{RH} ⁽¹⁾	Reset-pulse high time \overline{RES}		64	80	96	ms
t_{RES} ⁽¹⁾	Reset delay time \overline{RES}		30	71.5	90	μs
P_{wth} ⁽¹⁾	Pulse duration PRN		2	-	-	μs
SPI						
f_{op}	SPI clock frequency		-	-	4	MHz
t_{lead}	Enable lead time		200	-	-	ns
t_{wait}	Wait time between two successive communications		5	-	-	μs
t_{lag}	Enable lag time		100	-	-	ns
t_{pw}	SCLK pulse duration		100	-	-	ns
t_{su}	Data setup time		100	-	-	ns
t_h	Data hold time		100	-	-	ns
t_{dis}	Data-output disable time		-	-	200	ns
t_{en}	Data-output enable time		-	-	100	ns
t_v	Data delay time, SCK to DOUT		$C_L = 50\text{ pF}$, see Figure 23 .	0	-	100
CHARGE PUMP						
Vchv1_0	Output voltage, PDCPV	$V_B = 5.3\text{ V}$, $I_{load} = 0\text{ mA}$, $C_1 = C_2 = 47\text{ nF}$, $CCP = 2.2\text{ }\mu\text{F}$, $R_1 = R_2 = 0\text{ }\Omega$	VB+7	VB+8	-	V
Vchv1_1	Output voltage, PDCPV	$V_B = 5.3\text{ V}$, $I_{load} = 5\text{ mA}$, $C_1 = C_2 = 47\text{ nF}$, $CCP = 2.2\text{ }\mu\text{F}$, $R_1 = R_2 = 0\text{ }\Omega$	VB+5.5	VB+6.5	-	V
Vchv1_2	Output voltage, PDCPV	$V_B = 5.3\text{ V}$, $I_{load} = 8\text{ mA}$, $C_1 = C_2 = 47\text{ nF}$, $CCP = 2.2\text{ }\mu\text{F}$, $R_1 = R_2 = 0\text{ }\Omega$	VB+4.5	VB+5.5	-	V
Vchv2_0	Output voltage, PDCPV	$V_B = 12\text{ V}$, $I_{load} = 0\text{ mA}$, $C_1 = C_2 = 47\text{ nF}$, $CCP = 2.2\text{ }\mu\text{F}$, $R_1 = R_2 = 0\text{ }\Omega$	VB+10	VB+12	VB+14	V
Vchv2_1	Output voltage, PDCPV	$V_B = 12\text{ V}$, $I_{load} = 11\text{ mA}$, $C_1 = C_2 = 47\text{ nF}$, $CCP = 2.2\text{ }\mu\text{F}$, $R_1 = R_2 = 0\text{ }\Omega$	VB+9.5	VB+11.5	VB+13.5	V

(1) Specified by design

DRV3204-Q1

SLVSBT3C – MARCH 2013 – REVISED JULY 2016

www.ti.com

Electrical Characteristics (continued)

VB = 12 V, TA = -40°C to 125°C (unless otherwise specified)

PARAMETER		TEST CONDITIONS	MIN	TYP	MAX	UNIT
Vchv2_2	Output voltage, PDCPV	VB = 12 V, load = 18 mA, C1 = C2 = 47 nF, CCP = 2.2 μF, R1 = R2 = 0 Ω	VB+9	VB+11	VB+13	V
Vchv3_0	Output voltage, PDCPV	VB = 18 V, load = 0 mA, C1 = C2 = 47 nF, CCP = 2.2 μF, R1 = R2 = 0 Ω	VB+10	VB+12	VB+14	V
Vchv3_1	Output voltage, PDCPV	VB = 18 V, load = 13 mA, C1 = C2 = 47 nF, CCP = 2.2 μF, R1 = R2 = 0 Ω	VB+10	VB+12	VB+14	V
Vchv3_2	Output voltage, PDCPV	VB = 18 V, load = 22 mA, C1 = C2 = 47 nF, CCP = 2.2 μF, R1 = R2 = 0 Ω	VB+10	VB+12	VB+14	V
VchvOV	Overvoltage detection threshold		35	37.5	40	V
VchvUV	Undervoltage detection threshold		VB+4	VB+4.5	VB+5	V
t _{chv}	Rise time	VB = 5.3 V, C1 = C2 = 47 nF, CCP = 2.2 μF, R1 = R2 = 0 Ω, Vchv, UV released		1	2	ms
Ron	On-resistance, S1-S4	See Figure 10		8		Ω
HIGH-SIDE PRE-DRIVER						
VOH_H	Output voltage, turnon side	Isink = 10 mA, PDCPV - xH		1.35	2.7	V
VOL_H	Output voltage, turnoff side	Isource = 10 mA, xH - xHS		25	50	mV
RONH_HP	On-resistance, turnon side (Pch)	U(V/W)H = PDCPV - 1 V		135	270	Ω
RONH_HN	On-resistance, turnon side (Nch)	U(V/W)H = PDCPV - 2.5 V		4	8	Ω
RONL_H	On-resistance turnoff side			2.5	5	Ω
t _{on_h1}	Turnon time	CL = 12 nF, RL = 0 Ω from 20% to 80%	50	-	200	ns
t _{off_h1}	Turnoff time	CL = 12 nF, RL = 0 Ω from 80% to 20%	50	-	200	ns
t _{h-ondly1}	Output delay time	CL = 12 nF, RL = 0 Ω to 20%, no dead time	-	200	-	ns
t _{h-offdly1}	Output delay time	CL = 12 nF, RL = 0 Ω to 80%, no dead time	-	200	-	ns
VGS_hs	Gate-source high -side voltage difference	xH-xHS	-0.3		18	V
LOW-SIDE PRE-DRIVER						
VOH_L1	Output voltage, turnon side	VB = 12 V, Isink = 10 mA, xL - NGND	10	12	14	V
VOH_L2	Output voltage, turnon side	VB = 5.3 V, Isink = 10 mA, xL - NGND	5.5	7.5	10	V
VOL_L	Output voltage, turnoff side	Isource = 10 mA, xL - NGND	-	25	50	mV
RONH_L	On-resistance, turnon side		-	6	12	Ω
RONL_L	On-resistance, turnoff side			2.5	5	Ω
t _{on_l}	Turnon time	CL = 18 nF, RL = 0 Ω, from 20% to 80% of 12 V, from 20% to 80% of 6 V (VB = 5.3 V)	50	-	200	ns
t _{off_h}	Turnoff time	CL = 18 nF, RL = 0 Ω, from 80% to 20% of 12 V, from 80% to 20% of 6 V (VB = 5.3 V)	50	-	200	ns
t _{l-ondly}	Output delay time	CL = 18 nF, RL = 0 Ω, to 20% of 12 V, to 20% of VOH = 6 V (VB = 5.3 V), no dead time	-	200	-	ns

Electrical Characteristics (continued)
 $V_B = 12\text{ V}$, $T_A = -40^\circ\text{C}$ to 125°C (unless otherwise specified)

PARAMETER		TEST CONDITIONS	MIN	TYP	MAX	UNIT
t_{offdy}	Output delay time	$C_L = 18\text{ nF}$, $R_L = 0\ \Omega$, to 80% of 12 V, to 80% of $V_{\text{OH}} = 6\text{ V}$ ($V_B = 5.3\text{ V}$), no dead time	-	200	-	ns
t_{diff1}	Differential time1	(Th-on) - (Tl-off), no dead time, See Figure 3	-200	0	200	ns
t_{diff2}	Differential time2	(Tl-on) - (Tl-off), no dead time, See Figure 3	-200	0	200	ns
t_{dead}	Dead time	OSC1 = 10 MHz SPI register PDCFG.DEADT	2		2.2	μs
			1.5		1.7	
			1		1.2	
			0.5		0.7	
PHASE COMPARTOR						
V_{ofs}	Input offset voltage		-15	-	15	mV
V_{inm}	Input voltage range, PHTM		1.3	-	4.5	V
V_{inp}	Input voltage range, PHxM		-1	-	V_B	V
V_{hys}	Threshold hysteresis voltage	SPI register SPARE. SEL_COMP_HYS	-	0	-	mV
			12.5	25	50	
			25	50	100	
			50	100	200	
V_{OH}	Output high voltage	$I_{\text{sink}} = 2.5\text{ mA}$	$0.9 \times V_{\text{CC}}$	-	-	V
V_{OL}	Output low voltage	$I_{\text{source}} = 2.5\text{ mA}$	-	-	$0.1 \times V_{\text{CC}}$	V
$t_{\text{res_tr}}$	Response time, rising	$C_L = 100\text{ pF}$	-	0.7	1.5	μs
$t_{\text{res_tf}}$	Response time, falling	$C_L = 100\text{ pF}$	-	0.7	1.5	μs
MOTOR CURRENT SENSE						
V_{ofs}	Input offset voltage		-5		5	mV
V_{O_0}	Output voltage, ALV	$I_{\text{motor}} = 0\text{ A}$, SPI register CSCFG. CSOFFSET	-	0.5 1 1.5 2 2.5	-	V
V_{Line}	Linearity, ALV	$R_{\text{shunt}} = 1\text{ m}\Omega$, $R_{11} = R_{12} = 1\text{ k}\Omega$, $R_{21} = R_{22} = 30\text{ k}\Omega$	29.4	30	30.6	mV/A
V_{Gain}	Gain		10	30	-	V/V
$T_{\text{set_TR1}}$	Settling time (rise), ALV $\pm 1\%$	$R_{\text{shunt}} = 1\text{ m}\Omega$, $V_{\text{Gain}} = 30$, $C_L = 100\text{ pF}$, $I_{\text{motor}} = 0\text{ A} \rightarrow 30\text{ A}$, (ALV: 1 V \rightarrow 1.9 V, AREF = 1 V)	-	1	2.5	μs
$T_{\text{set_TR2}}$	Settling time(rise), ALV $\pm 1\%$	$R_{\text{shunt}} = 1\text{ m}\Omega$, $V_{\text{Gain}} = 30$, $C_L = 100\text{ pF}$, $I_{\text{motor}} = 0\text{ A} \rightarrow 100\text{ A}$, (ALV: 1 V \rightarrow 4 V, AREF = 1 V)	-	1	2.5	μs
$T_{\text{set_TF1}}$	Settling time(fall), ALV $\pm 1\%$	$R_{\text{shunt}} = 1\text{ m}\Omega$, $V_{\text{Gain}} = 30$, $C_L = 100\text{ pF}$, $I_{\text{motor}} = 30\text{ A} \rightarrow 0$, (ALV: 1.9 V \rightarrow 1 V, AREF = 1 V)	-	1	2.5	μs
$T_{\text{set_TF2}}$	Settling time(fall), ALV $\pm 1\%$	$R_{\text{shunt}} = 1\text{ m}\Omega$, $V_{\text{Gain}} = 30$, $C_L = 100\text{ pF}$, $I_{\text{motor}} = 100\text{ A} \rightarrow 0$, (ALV: .4 V \rightarrow 1 V, AREF = 1 V)	-	1	2.5	μs

DRV3204-Q1

SLVSBT3C – MARCH 2013 – REVISED JULY 2016

www.ti.com

Electrical Characteristics (continued)

VB = 12 V, TA = -40°C to 125°C (unless otherwise specified)

PARAMETER		TEST CONDITIONS	MIN	TYP	MAX	UNIT
OVADth	Overcurrent threshold	Rshunt = 1 mΩ, VGain = 30, AREF = 1 V, ADTH = 2.5 V, SPI register FLTCFG. MTOCTH, OVADth = (2 × ADTH - AREF) / (Rshunt × VGain)	119.7	133	146.3	A
TDEL_OV AD	Propagation delay (rise or fall)		-	-	1.5	μs
tfiltMTOC	filtering time	OSC1 = 9 MHz-11 MHz	0.8	1	1.2	μs
VCC						
VCC1	Output Voltage		4.9	5	5.1	V
VCC2	Output Voltage	VB = 4.5 V, ILVCC = 5 mA-150 mA	4.25		4.5	V
IBVCC	Base Current		1.5			mA
hfePNP	DC current gain of external PNP		100	-	-	
VLRVCC	Load regulation	ILVCC = 5 mA-150 mA	-20	-	20	mV
CVCC	External Capacitance		22		100	μF
RVCC	ESR of external Capacitor				300	mΩ
VCCUV	Under voltage detection threshold	SPI register FLTCFG. VCCUVTH	3.7 3.9	4 4.2	4.3 4.5	V
VCCUVHYS	Under voltage detection threshold hysteresis		50	100	200	mV
VCCOV	Overvoltage detection threshold		6	6.5	7	V
VCCOC	Current Limit	Rsns = 0.51 Ω, 0.2 V = Rsns, VCCOC	300	400	550	mA
Tvcc1	Rise Time	VCC > VCCUV, CVCC = 22 μF			0.5	ms
Tvcc2	Rise Time	VCC > VCCUV, CVCC = 100 μF			1.5	ms
VDD						
VDD	Output Voltage		3	3.3	3.6	V
CVDD	Load Capacitance			1		μF
VDDUV	Under voltage detection threshold		2.1	2.3	2.5	V
VDDOV	Overvoltage detection threshold		4	4.3	4.6	V
Tvdd	Rise Time	VDD > VDDUV, CVDD = 1 μF			100	μs
VB MONITOR						
VBOV	VB overvoltage detection threshold level		26.5	27.5	28.5	V
VBOVhys	VB overvoltage detection hysteresis		0.2	0.5	1.2	V
VBUV	VB Undervoltage detection threshold level	SPI register FLTCFG. VBUVTH	3.65 4.15 4.65 5.15	4 4.5 5 5.5	4.35 4.85 5.35 5.85	V
VBUVhys	VB Undervoltage detection hysteresis	SPI register FLTCFG. VBUVTH	0.1 0.2 0.2 0.3	0.25 0.4 0.5 0.65	0.5 0.8 1.0 1.3	V
THERMAL SHUTDOWN						
TSD	Thermal shut down threshold level		155	175	195	°C
TSDhys	Thermal shut down hysteresis		5	10	15	°C
OSCILLATOR						
OSC1	OSC1 frequency		9	10	11	MHz
OSC2	OSC2 frequency			10		MHz

Electrical Characteristics (continued)

VB = 12 V, TA = -40°C to 125°C (unless otherwise specified)

PARAMETER		TEST CONDITIONS	MIN	TYP	MAX	UNIT
INPUT BUFFER1						
V _{IH}	Input threshold logic high		0.7 × VCC			V
V _{IL}	Input threshold logic low			0.3 × VCC		V
R _u or R _d	Input pullup or pulldown resistance		50	100	150	kΩ
OUTPUT BUFFER1(2)						
V _{OH}	Output level logic high	I _{sink} = 2.5 mA	0.9 × VCC			V
V _{OL}	Output level logic low	I _{source} = 2.5 mA		0.1 × VCC		V
OUTPUT BUFFER3						
R _{RES}	Pullup Resistor		2	3	4	kΩ
V _{OL}	Output level logic low	I _{source} = 2 mA		0.1 × VCC		V

6.5 Supply Voltage and Current

VB = 12 V, TA = -40°C to 125°C (unless otherwise specified)

PARAMETER		TEST CONDITIONS	MIN	TYP	MAX	UNIT
SUPPLY INPUT						
VB1 ⁽¹⁾	VB supply voltage (motor operation)		5.3	12	18	V
VB2 ⁽¹⁾	VB supply voltage (MCU operation)		4.5	12	18	V
VB3 ⁽²⁾	VB supply voltage		18		26.5	V
I _{vb}	VB operating current	ENABLE = High, no PWM	-	18	27	mA
I _{vbq}	VB quiescent current	ENABLE = Low	-	50	100	μA

(1) Performance of supply voltage 5.3 V-18 V is according to the ACE-Q100 (Grade 1) standard.

(2) Specified by design.

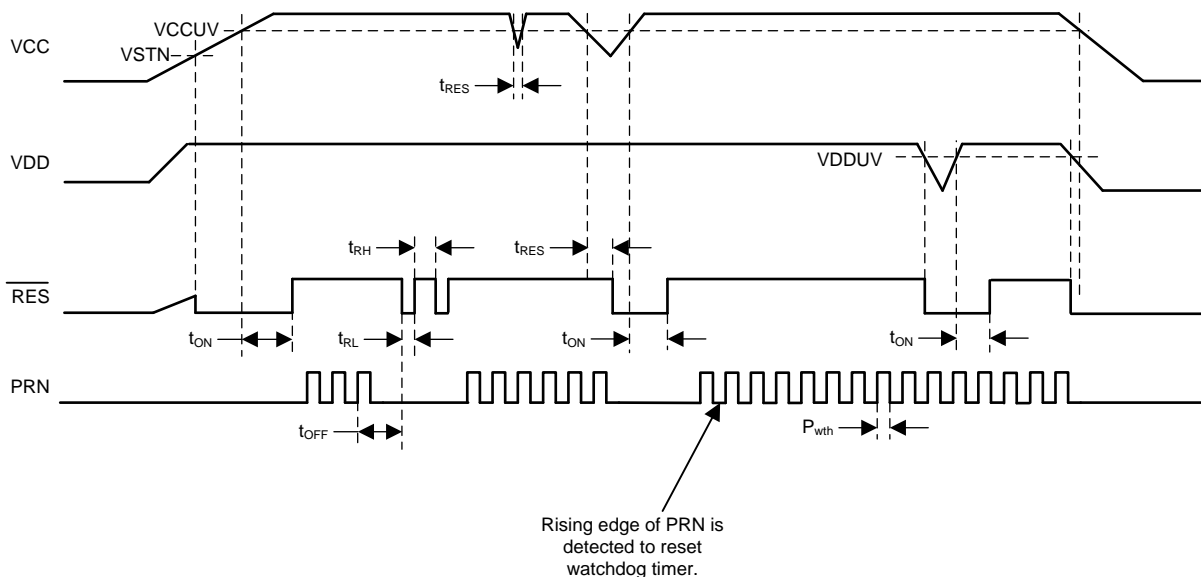

 NOTE: VCC undervoltage condition sets $\overline{\text{RES}}$ = Low.

Figure 1. Watchdog Timing Chart

DRV3204-Q1

SLVSBT3C – MARCH 2013 – REVISED JULY 2016

www.ti.com

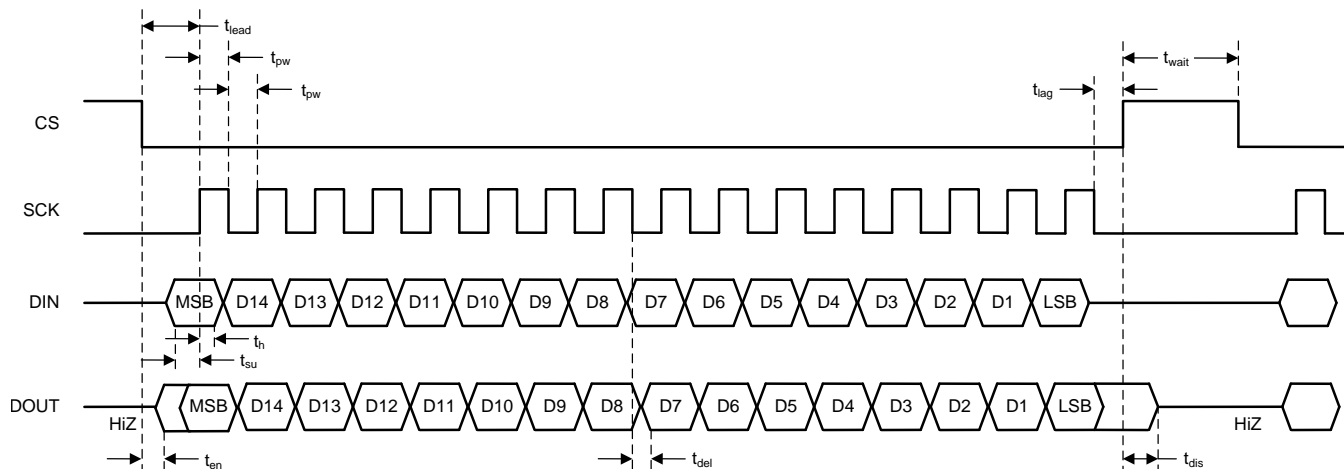
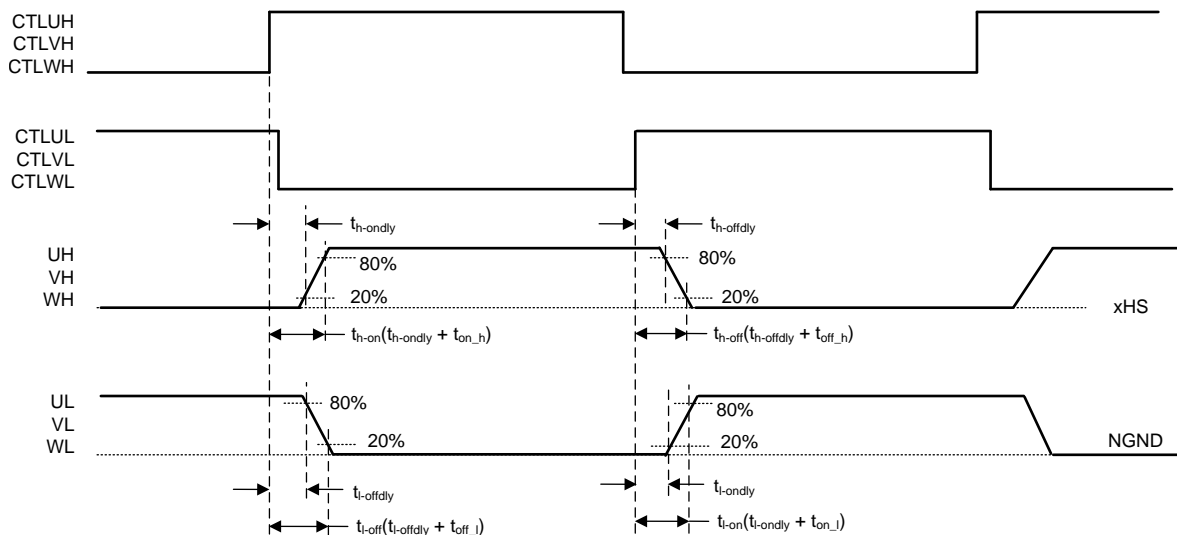


Figure 2. SPI Timing Diagram



NOTE: This diagram excludes dead time to explain the timing parameters of the pre-driver.

Figure 3. Delay Time From Input to Output

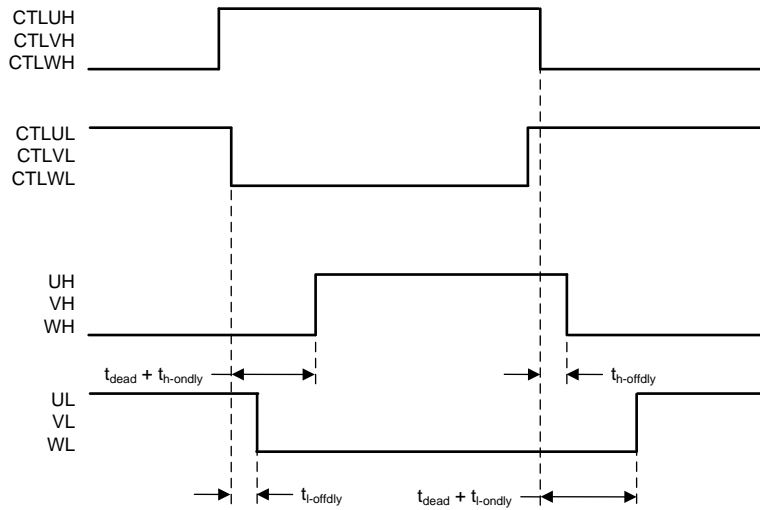


Figure 4. Dead Time

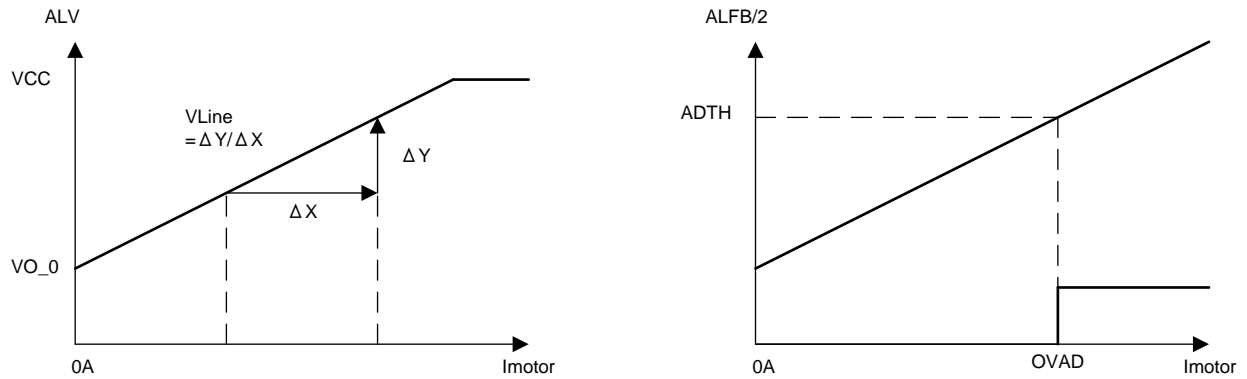
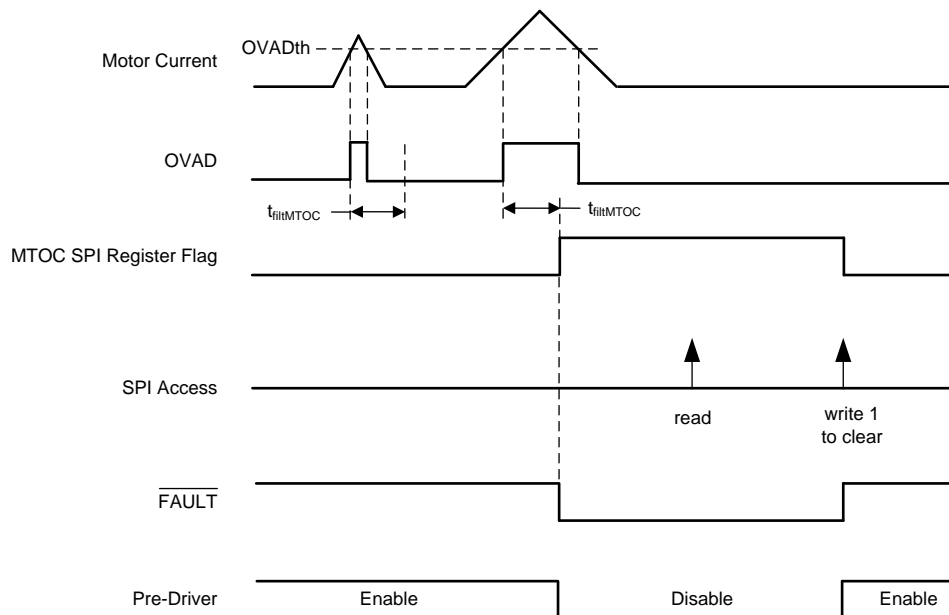


Figure 5. Motor Current Sense and Overcurrent



- (1) MCU must set the FLTCFG.FLGLATCH_EN bit to 1 to get the latch-type operation shown in this figure.
- (2) When MTOC condition is detected, $\overline{\text{FAULT}}$ is asserted to low if FE_MTOC bit is 1.
- (3) When MTOC condition is detected, Pre Driver is disabled if SE_MTOC is 1.

Figure 6. Motor Overcurrent Event

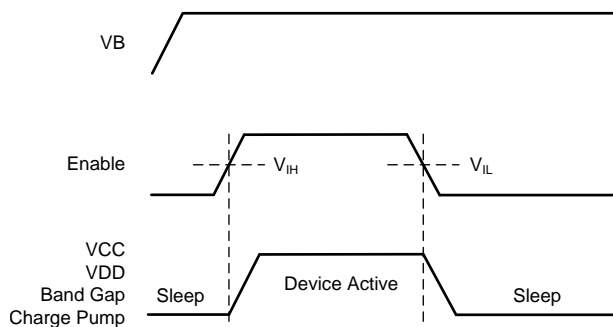
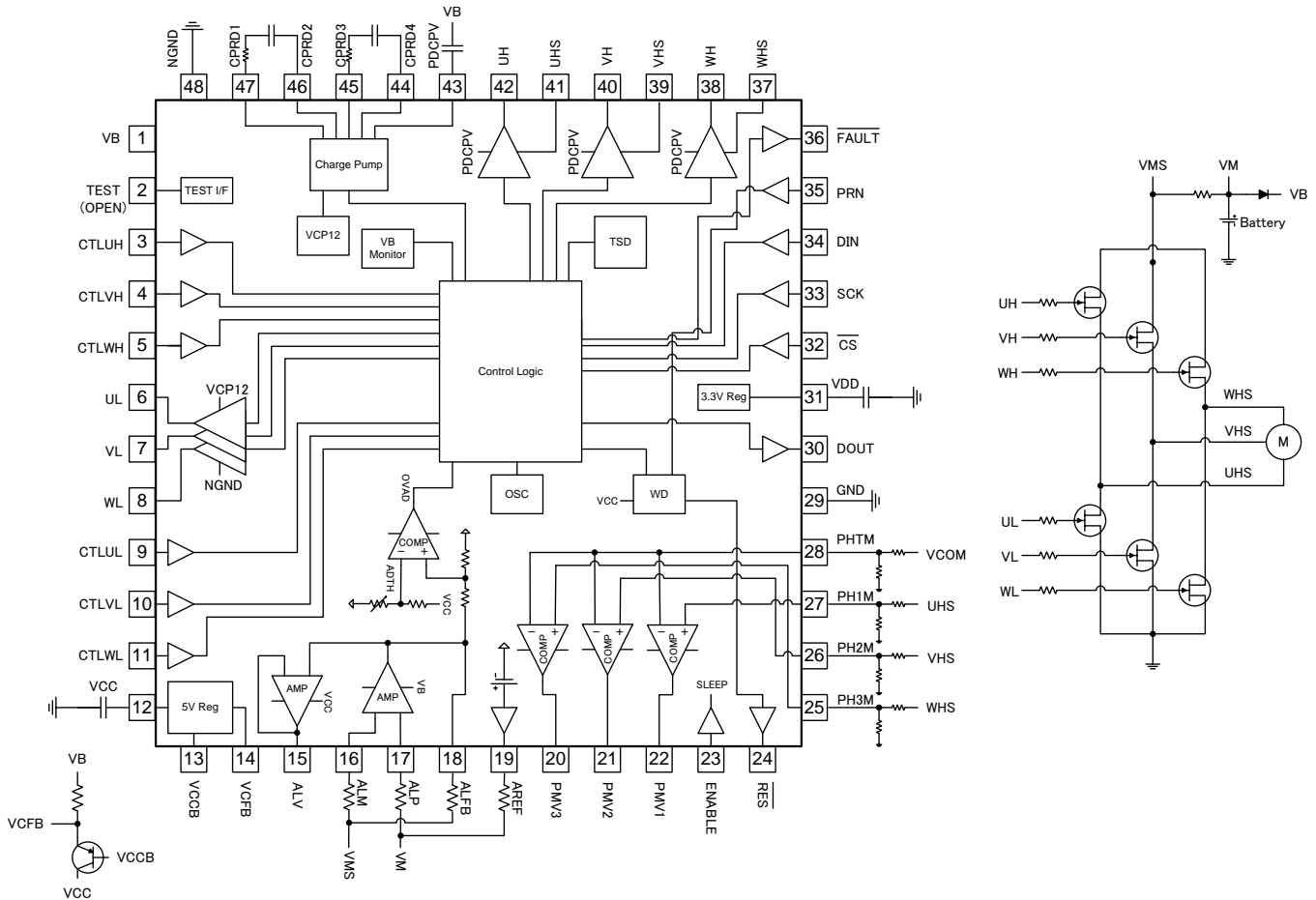


Figure 7. I/O ENABLE Timing Chart

7 Detailed Description

7.1 Functional Block Diagram



7.2 Feature Description

7.2.1 Watchdog

A watchdog monitors the PRN signal and VCC supply level and generates a reset to the MCU via the $\overline{\text{RES}}$ pin if the status of PRN is not normal or VCC is lower than the specified threshold level. Detection of a special pattern on the PRN input during power up can disable the watchdog.

DRV3204-Q1

SLVSBT3C – MARCH 2013 – REVISED JULY 2016

www.ti.com

Feature Description (continued)

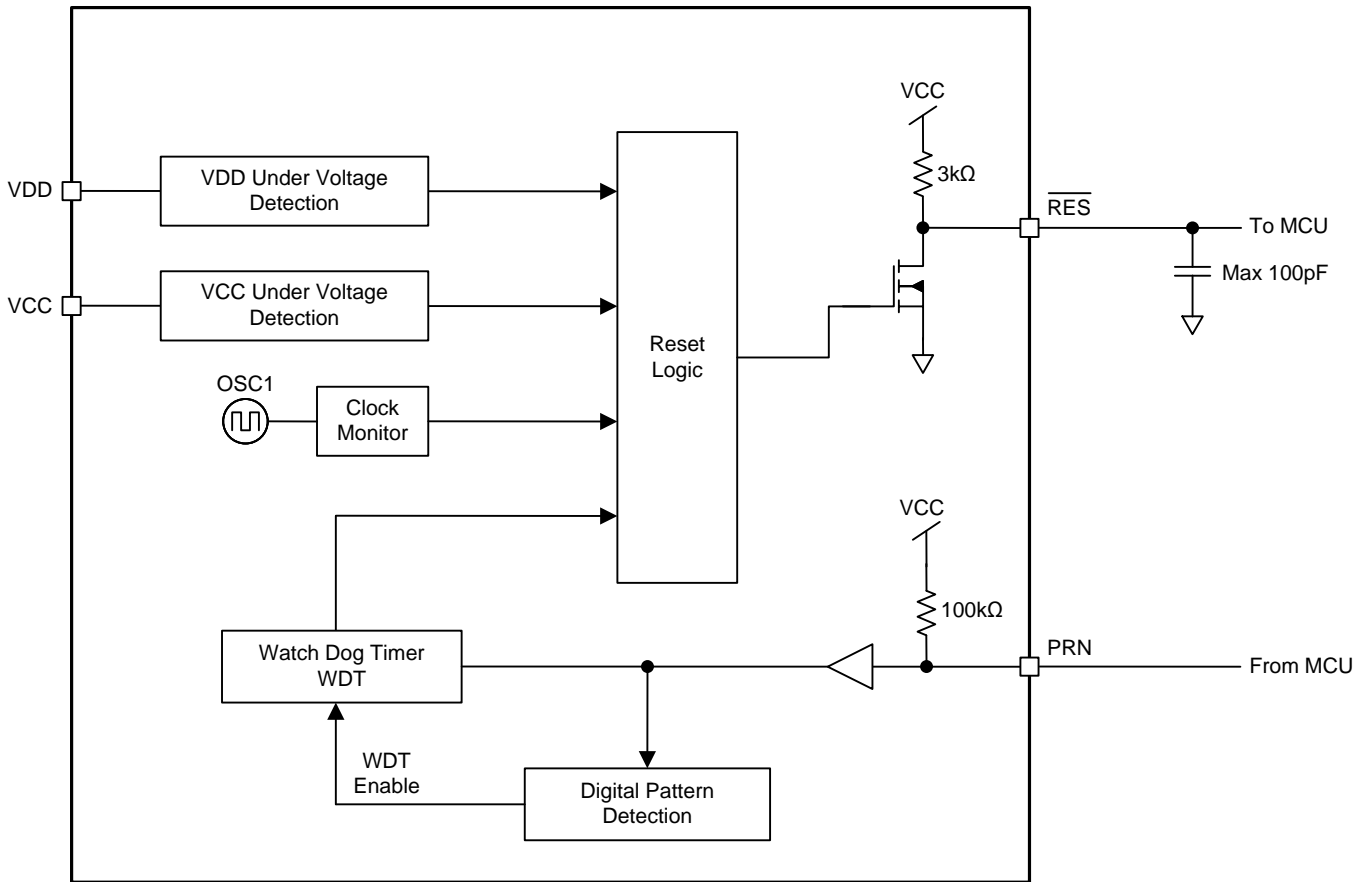


Figure 8. Watchdog Block Diagram

Feature Description (continued)

7.2.2 Serial Port I/F

Setting device configuration and reading out diagnostic information is via SPI. SPI operates in slave mode. SPI uses four signals according to the timing chart of [Figure 2](#).

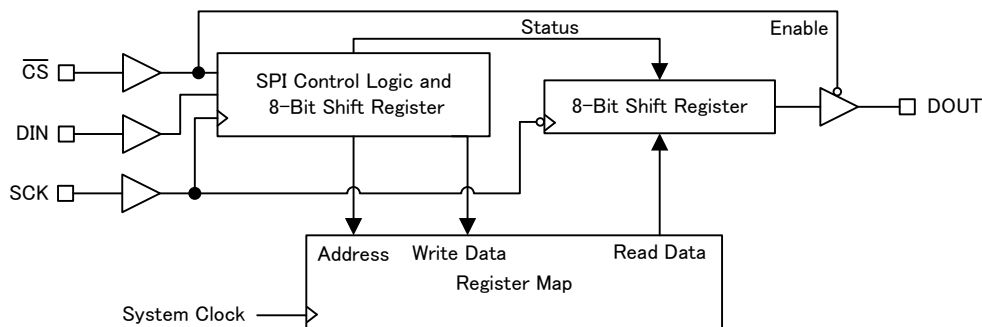


Figure 9. Block Diagram of SPI

7.2.2.1 \overline{CS} - Chip Select

The MCU uses \overline{CS} to select this IC. \overline{CS} is normally high, and communication is possible only when it is forced low. When \overline{CS} falls, communication between this IC and the MCU starts. The transmitted data are latched and the DOUT output pin comes out of high impedance. When \overline{CS} rises, communication stops. The DOUT output pin goes into high impedance. The next falling edge starts another communication. There is a minimum waiting time between two communications (t_{wait}). The pin has an internal pullup.

7.2.2.2 SCK - Synchronization Serial Clock

The MCU uses SCK to synchronize communication. SCK is normally low, and the valid clock-pulse number is 16. At each falling edge, the MCU writes a new bit on the DIN input, and this IC writes a new bit on the DOUT output pin. At each rising edge, this IC reads the new bit on DIN, and the MCU reads the new bit on DOUT. The maximum clock frequency is 4 MHz. The pin has an internal pulldown.

7.2.2.3 DIN - Serial Input Data

DIN receives 16-bit data. The order of received bits is from the MSB (first) to the LSB (last). The pin has an internal pulldown. Update of the internal register with the received bits occurs only if the number of clock pulses is 16 while \overline{CS} is low.

7.2.2.4 DOUT - Serial Output Data

DOUT transmits 16-bit data. It is a three-state output, and it is in the high-impedance state when \overline{CS} is high. The order of serial data-bit transmission is from the MSB (first) to the LSB (last).

DRV3204-Q1

SLVSBT3C – MARCH 2013 – REVISED JULY 2016

www.ti.com

Feature Description (continued)

7.2.3 Charge Pump

The charge-pump block generates a supply for the high-side and low-side pre-drivers to maintain the gate voltage on the external FETs. Use of an external storage capacitor (CCP) and bucket capacitors (C1, C2) supports pre-driver slope and switching-frequency requirements. R1 and R2 can reduce switching current if required. The charge pump has voltage-supervisor functions such as over- and undervoltage, and selectable stop conditions for pre-drivers.

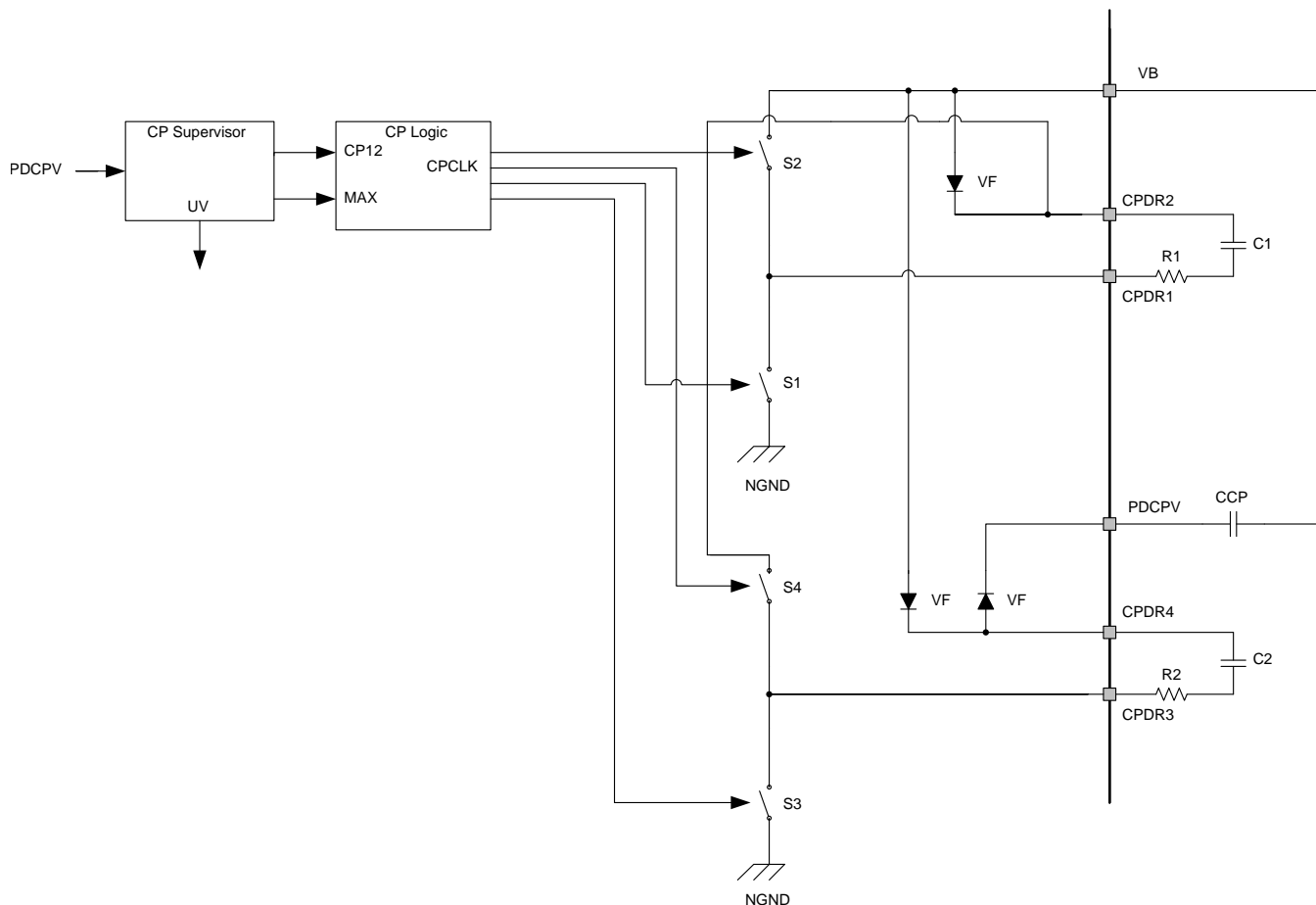


Figure 10. Charge-Pump Block Diagram

Feature Description (continued)

7.2.4 Pre-Driver

The pre-driver block provides three high-side pre-drivers and three low-side pre-drivers to drive external N-channel MOSFETs. The turnon side of the high-side pre-drivers supplies the large N-channel transistor current for quick charge, and PMOS supports output voltages up to PDCPV. The turnoff side of the high-side pre-drivers supplies the large N-channel transistor current for quick discharge. The low-side pre-drivers supply the large N-channel transistor current for charge and discharge. VCP12 (created by a charge pump) controls the output voltage of the low-side pre-driver to output less than 18 V. The pre-driver has a stop condition in some fault conditions ([Fault Detection](#)) and SPI set ([Serial Port I/F](#)).

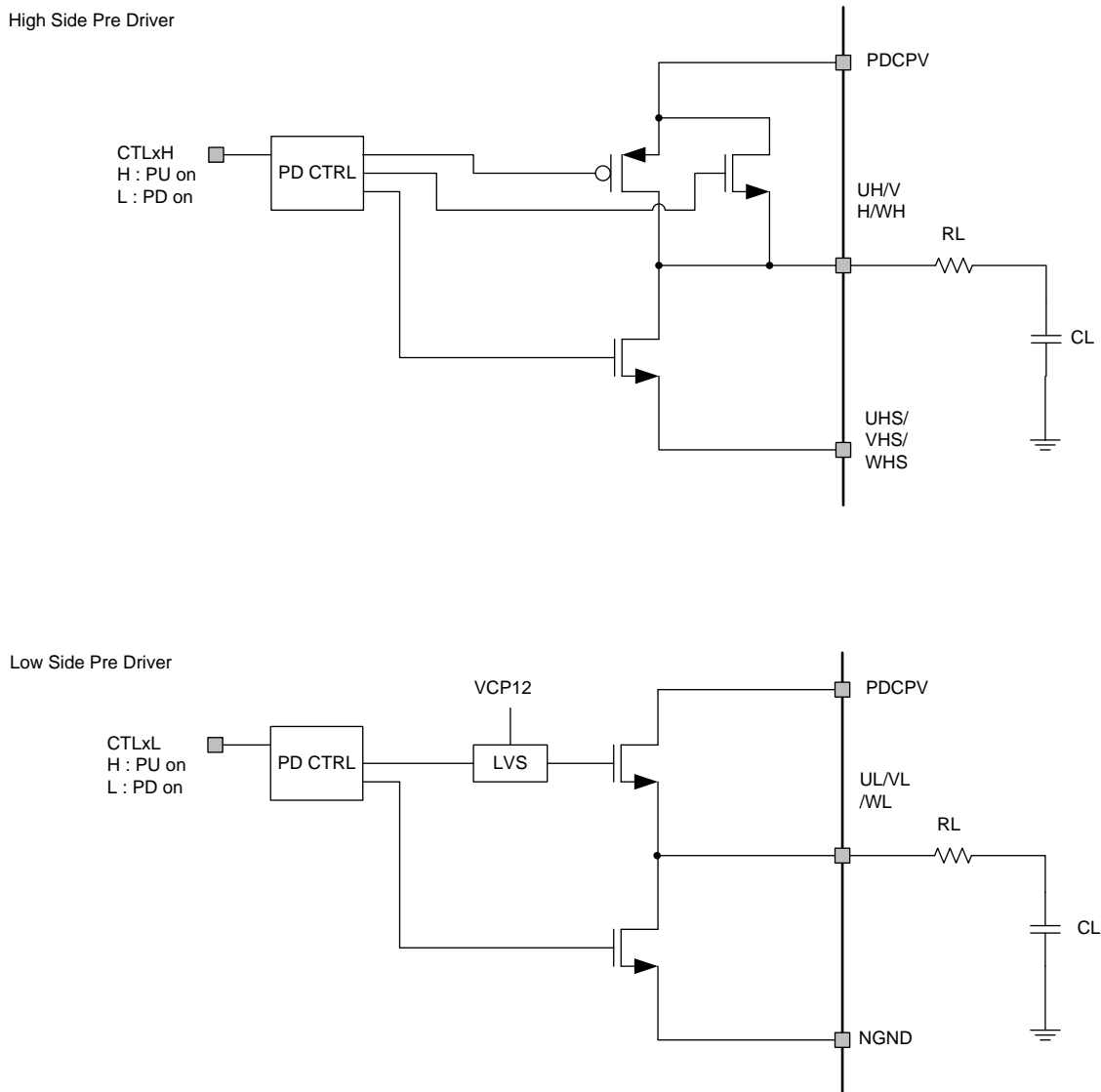


Figure 11. Pre-Driver Block Diagram

Feature Description (continued)

7.2.5 Phase Comparator

The three-channel comparator module monitors the external FETs by detecting the drain-source voltage across the high-side and low-side FETs. PHTM is the threshold level of the comparators usable for sensorless communication. Figure 12 shows an example of the threshold level.

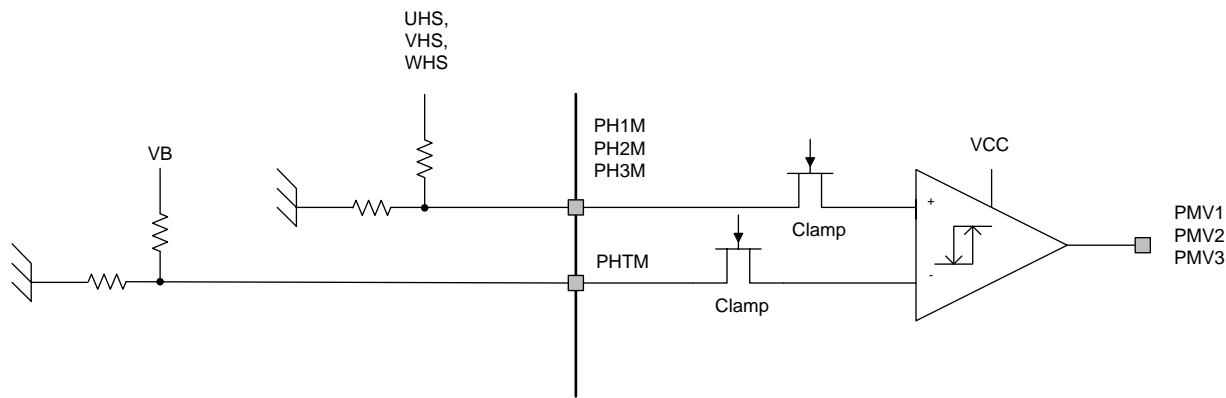


Figure 12. Phase Comparator Block Diagram

Feature Description (continued)

7.2.6 Motor-Current Sense

Operational amplifier is operating with an external resistor network for higher flexibility to adjust the current measurement to application requirements. The first-stage amplifier is operating with the external resistor and the output voltage up to VB at ALFB. The gain of amplifier is adjustable by external resistors from $\times 10$ to $\times 30$. The second-stage amplifier is buffer to MCU at ALV. Current sense has comparator for motor overcurrent (OVAD). ADTH is overcurrent threshold level and set value by SPI. Figure 13 shows the curve of detection level. ALFB is divided by 2 and compare this value with ADTH. In recommended application, zero-point adjustment is required as large error offset in initial condition.

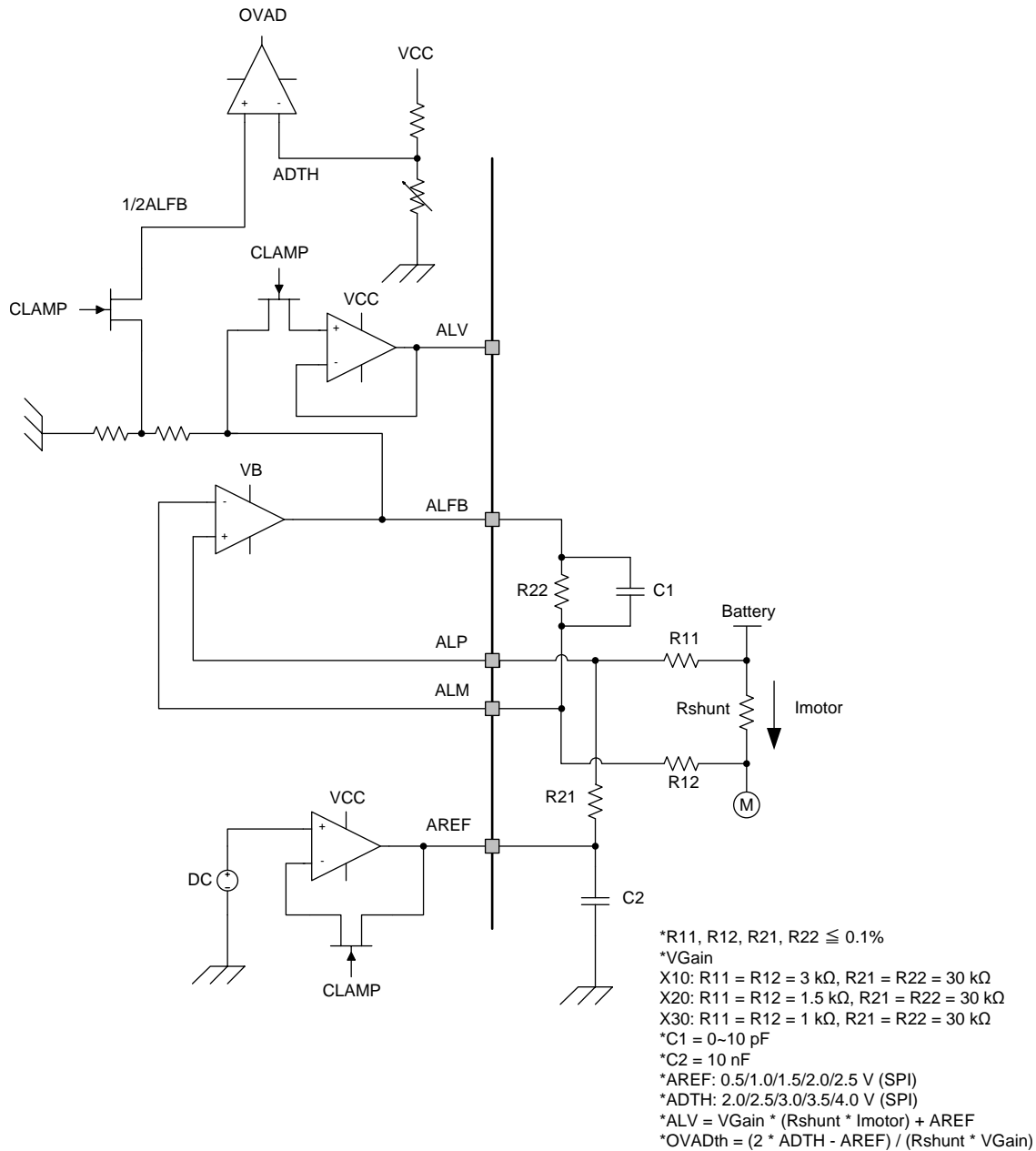


Figure 13. Motor Current-Sense Block Diagram

Feature Description (continued)

7.2.7 Regulators

The regulator block offers 5-V LDO and 3.3-V LDO. The VCC LDO regulates VB down to 5 V with an external PNP controlled by the regulator block. This 5 V is supplied to MCU and other components.

The VDD regulator regulates VB down to 3.3 V with internal FET and controller. The 5 V LDO is protected against short to GND fault. Overvoltage and under voltage events of both supplies are detected. The under voltage of the 5-V LDO is set by SPI.

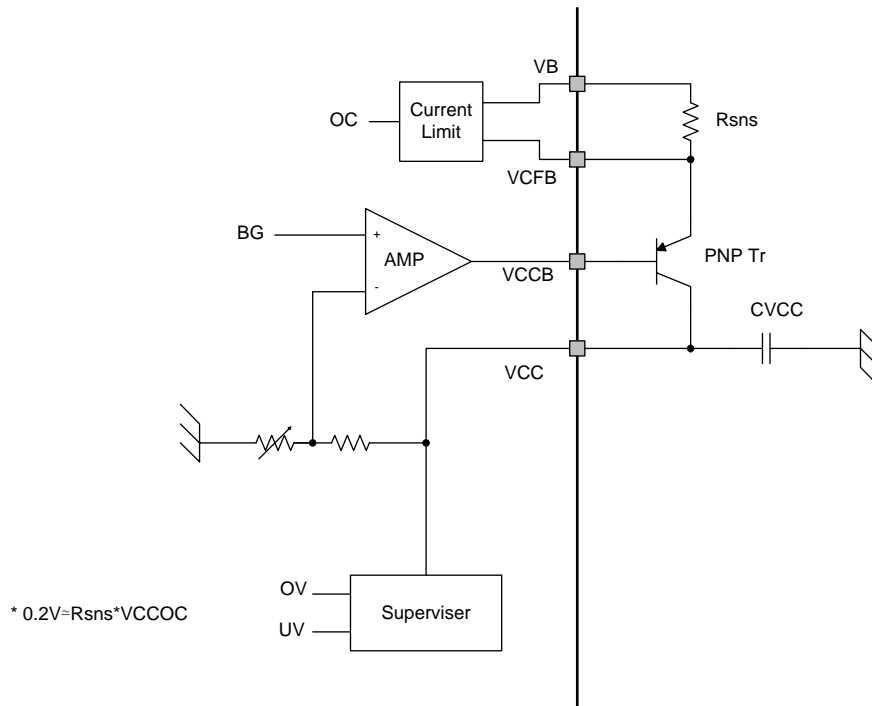


Figure 14. VCC Block Diagram (External Driver)

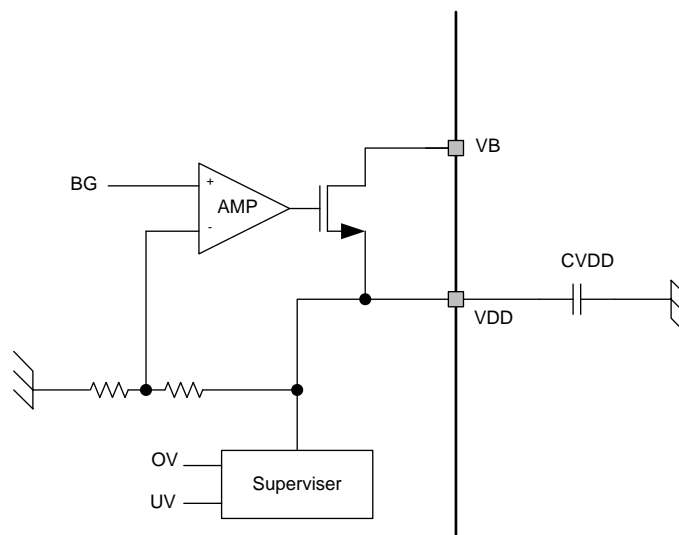


Figure 15. VDD Block Diagram

Feature Description (continued)

7.2.8 VB Monitor

The VB monitoring system has two comparators for under- and overvoltage, and has pre-driver stop controlling system respectively. Overvoltage provides pre-driver stop condition selectable (SPI control). On the other hand, under voltage must stop pre-driver operation under detection (no selectable). System should return to normal operation automatically after undetected level.

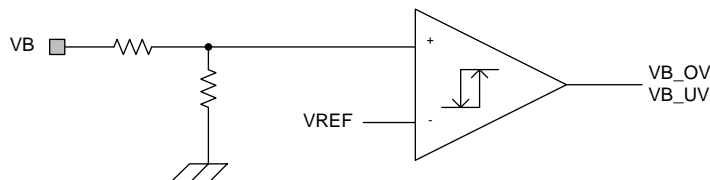


Figure 16. VB Monitor Block Diagram

7.2.9 Thermal Shutdown

The device has temperature sensors that produce pre-driver stop condition if the chip temperature exceeds 175 degree.

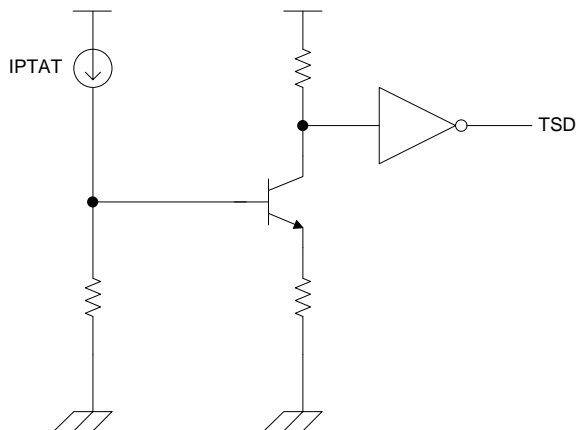


Figure 17. Thermal Shutdown Block Diagram

DRV3204-Q1

SLVSBT3C – MARCH 2013 – REVISED JULY 2016

www.ti.com

Feature Description (continued)

7.2.10 Oscillator

Oscillator block generates two 10-MHZ clock signals. OSC1 is the primary clock used for internal logic synchronization and timing control. OSC2 is the secondary clock used to monitor the status of OSC1.

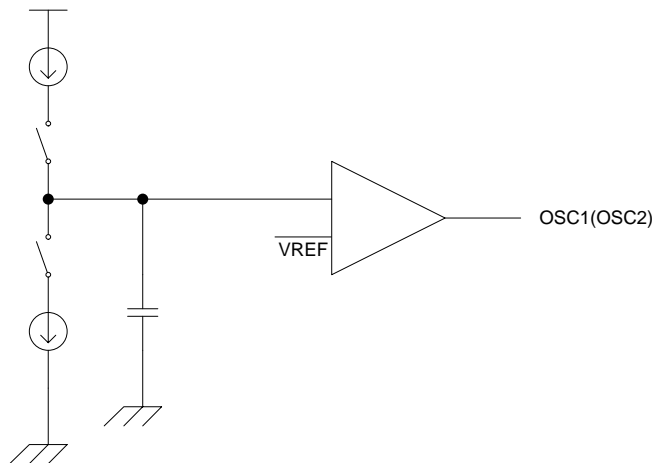
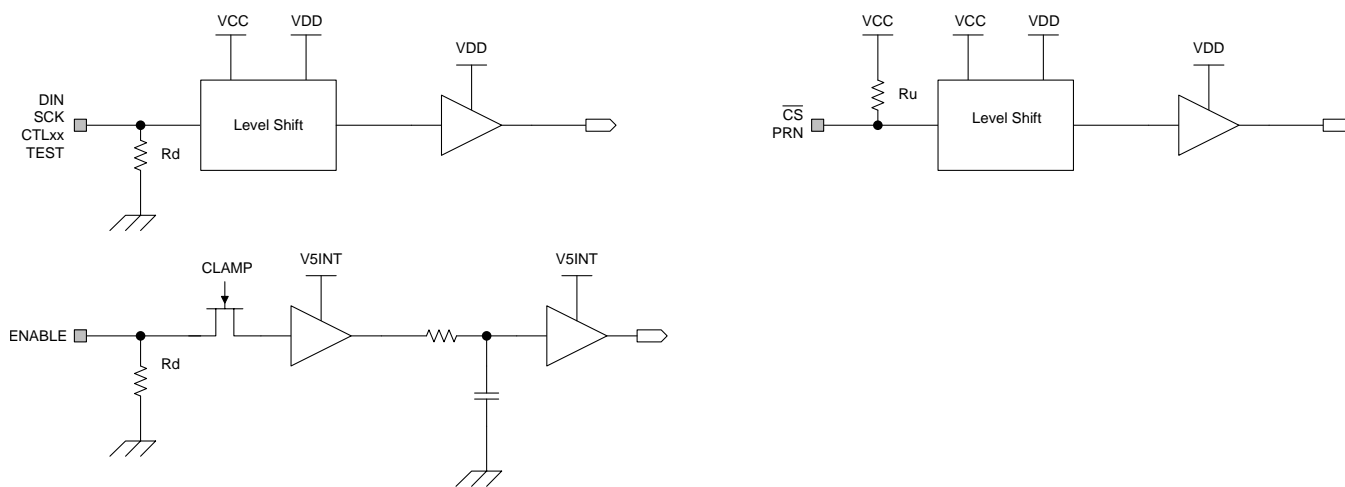


Figure 18. Oscillator Block Diagram

7.2.11 I/O



* V5INT is the internal power supply.

Figure 19. Input Buffer1 Block Diagram

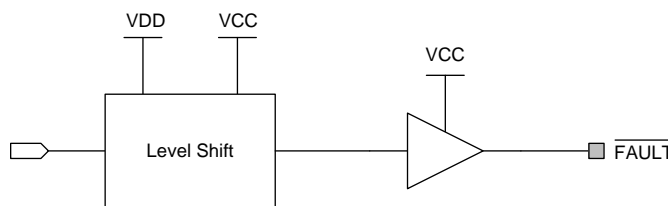
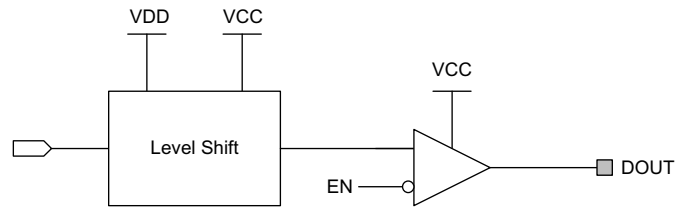
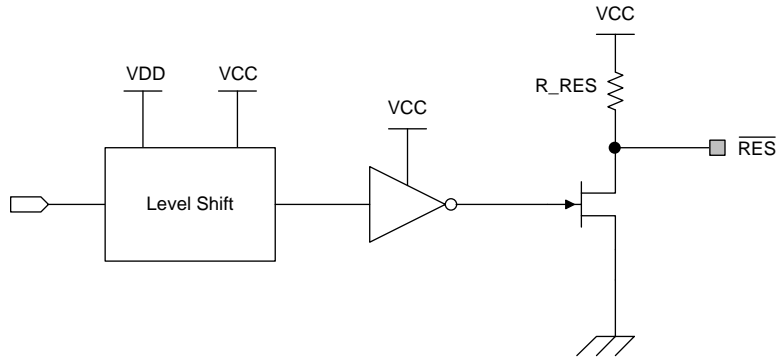


Figure 20. Output Buffer1 Block Diagram

Feature Description (continued)

Figure 21. Output Buffer2 Block Diagram

Figure 22. Output Buffer3 Block Diagram
Table 1. Recommended Pin Termination

PIN NAME	DESCRIPTION	TERMINATION
TEST	Test mode input	OPEN

7.2.12 Fault Detection
Table 2. Fault Detection

ITEMS	SPI FLTLFG	Pre Driver ⁽¹⁾	FAULT ⁽²⁾	RES	Others
VB - Overvoltage	VBOV	Disable	L	H	
VB - Undervoltage	VBUV	Disable	L	H	
CP - Overvoltage	CPOV	Disable	L	H	
CP - Undervoltage	CPUV	Disable	L	H	
VCC - Overvoltage	VCCOV	Disable	L	H	
VCC - Under Voltage	-	Disable ⁽³⁾	H	L	
VCC - Overcurrent	VCCOC	Disable	L	H	
Motor - Overcurrent	MTOC	Disable	L	H	
VDD - Overvoltage	VDDOV	Disable	L	H	
VDD - Undervoltage	-	Disable ⁽³⁾	H	L	
Thermal shutdown	TSD	Disable	L	H	
Watch Dog	-	-	H	L	
Clock Monitor	-	-	H	L	
SPI format error	-	-	H	H	SPI serial out error bit

(1) Pre-driver is disabled if the conditions occur and SDNEN register bits are 1.

(2) FAULT pin is asserted to low if the conditions occur and FLTEN register bits are 1.

(3) Pre-driver is disabled by VCC undervoltage and VDD undervoltage conditions regardless of SPI register setting.

DRV3204-Q1

SLVSBT3C – MARCH 2013 – REVISED JULY 2016

www.ti.com

7.3 Register Maps

Table 3. SPI Serial Input Format

	MSB	D14	D13	D12	D11	D10	D9	D8
DIN	RW[1]	RW[0]	Addr[5]	Addr[4]	Addr[3]	Addr[2]	Addr[1]	Addr[0]
	D7	D6	D5	D4	D3	D2	D1	LSB
DIN	Data[7]	Data[6]	Data[5]	Data[4]	Data[3]	Data[2]	Data[1]	Data[0]

Table 4. SPI Serial Output Data Format

	MSB	D14	D13	D12	D11	D10	D9	D8
DOUT	0	Frame fault	0	0	0	0	0	1
	D7	D6	D5	D4	D3	D2	D1	LSB
DOUT	Data[7]	Data[6]	Data[5]	Data[4]	Data[3]	Data[2]	Data[1]	Data[0]

SPI serial input and output format

- RW[1:0] : 01: write mode; 00: read mode
- Addr[5:0] : Address of SPI access
- Data[7:0] : Input data to write or output data to read
- Frame fault : 0: No error exists in the previous SPI frame.
: 1: Error exists in the previous SPI frame.

Table 5. SPI Register Map

Register Name	Addr (Hex)	b7	b6	b5	b4	b3	b2	b1	b0	Reset (Hex)	
Reserved	00	RSVD								00	
CFGUNLK	01	RSVD				CFGUNLK					00
FLTCFG	02	FLGLATCH_EN	MTOCTH			RSVD	VCCUVTH	VBUVTH			00
Reserved	03	RSVD								00	
FLTEN0	04	FE_MTOC	FE_VCCOC	FE_VCCOV	FE_VDDOV	FE_CPOV	FE_CPUV	FE_VBOV	FE_VBUV	FF	
FLTEN1	05	RSVD								FE_TSD	01
SDNEN0	06	SE_MTOC	SE_VCCOC	SE_VCCOV	SE_VDDOV	SE_CPOV	SE_CPUV	SE_VBOV	SE_VBUV	FF	
SDNEN1	07	RSVD								SE_TSD	01
FLTFLG0	08	MTOC	VCCOC	VCCOV	VDDOV	CPOV	CPUV	VBOV	VBUV	00	
FLTFLG1	09	RSVD								TSD	00
CSCFG	0A	RSVD					CSOFFSET				00
PDCFG	0B	RSVD						DEADT			00
DIAG	0C	RSVD				VCCURST	WDRST	CMRST		00	
SPARE	0D	SPARE						SEL_COMP_HYS			00
Reserved	0E-3F	RSVD								00	

7.3.1 Register Descriptions

Access type: R = Read and W = Write.
 Reserved register: Read of reserved bits return 0 and write has no effect.

7.3.1.1 CFGUNLK (address 0x01): Configuration Unlock Register

Bit	Name	Type	Reset	Description
3:0	CFGUNLK	RW	0000	DRV3204 SPI register map has lock and unlock mode, and it is in lock mode by default. MCU can write values of the following registers in unlock mode; <ul style="list-style-type: none"> • FLTCFG • FLTEN0 and FLTEN1 • SDNEN0 and SDNEN1 • CSCFG

Bit	Name	Type	Reset	Description
				<ul style="list-style-type: none"> • PDCFG • WDCFG In lock mode, read returns the values, but writing the registers have no effect. Device enters unlock mode by writing 0x5, 0x8, 0x7 to CFGUNLK register in series. Device exits from unlock mode by writing 0x0.

7.3.1.2 FLTCFG (address 0x02): Fault Detection Configuration Register

Bit	Name	Type	Reset	Description
7	FLGLATCH_EN	RW	0	Fault-flag (FLFLG*) latch enable 0: Fault events do not latch fault-flag register bits. 1: Latching of fault-flag register bits by the fault events occurs. The flag bits remain asserted until cleared.
6:4	MTOCTH	RW	000	Motor overcurrent detection threshold 000: 2 V 001: 2.5 V 010: 3 V 011: 3.5 V 100: 4 V Others: 2 V
3	RSVD	R	0	Reserved
2	VCCUVTH	RW	0	VCC undervoltage detection threshold 0: 4 V 1: 4.2 V
1:0	VBUVTH	RW	00	VB undervoltage detection threshold 00: 4 V 01: 4.5 V 10: 5 V 11: 5.5 V

7.3.1.3 FLTEN0 (address 0x04): FAULT Pin Enable Register 0

Bit	Name	Type	Reset	Description
7	FE_MTOC	RW	1	FAULT pin enable of FLTFLG0 register bits. 0: Assertion of the FAULT pin does not occur when the fault flag bit is 1 1: Assertion of the FAULT pin to low level occurs when the fault flag bit is 1. See Figure 23
6	FE_VCCOC	RW	1	
5	FE_VCCOV	RW	1	
4	FE_VDDOV	RW	1	
3	FE_CPOV	RW	1	
2	FE_CPUV	RW	1	
1	FE_VBOV	RW	1	
0	FE_VBUV	RW	1	

7.3.1.4 FLTEN1 (address 0x05): FAULT Pin Enable Register 1

Bit	Name	Type	Reset	Description
7:1	RSVD	R	0000 000	Reserved
0	FE_TSD	RW	1	FAULT pin enable of TSD flag bit 0: Assertion of the FAULT pin does not occur when the fault flag bit is 1 1: Assertion of the FAULT pin to low level occurs when the TSD flag bit is 1. See Figure 23

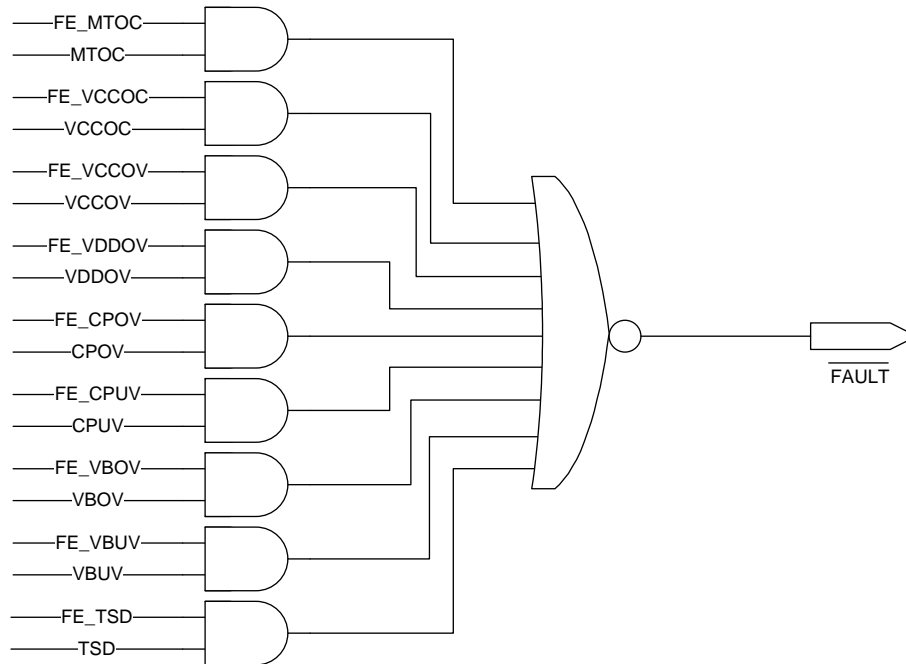


Figure 23. FAULT Pin Enable Logic

7.3.1.5 SDNEN0 (address 0x06): Pre-Driver Shutdown Enable Register 0

Bit	Name	Type	Reset	Description
7	SE_MTOC	RW	1	Pre-driver shutdown enable of FLTFLG0 register bits 0: Disabling of the pre-driver outputs does not occur when the fault flag bit is 1. 1: Disabling of the pre-driver outputs occurs when the fault flag bit is 1. Both the high-side and low-side FETs turn off. See Figure 24 .
6	SE_VCCOC	RW	1	
5	SE_VCCOV	RW	1	
4	SE_VDDOV	RW	1	
3	SE_CPOV	RW	1	
2	SE_CPUV	RW	1	
1	SE_VBOV	RW	1	
0	SE_VBUV	RW	1	

7.3.1.6 SDNEN1 (address 0x07): Pre-Driver Shutdown Enable Register 1

Bit	Name	Type	Reset	Description
7:1	RSVD	R	0000 000	Reserved
0	SE_TSD	RW	1	Pre-driver shutdown enable of TSD flag bits 0: Disabling of the pre-driver outputs does not occur when the TSD flag bit is 1. 1: Disabling of the pre-driver outputs occurs when the TSD flag bit is 1. Both the high-side and low-side FETs turn off. See Figure 24 .

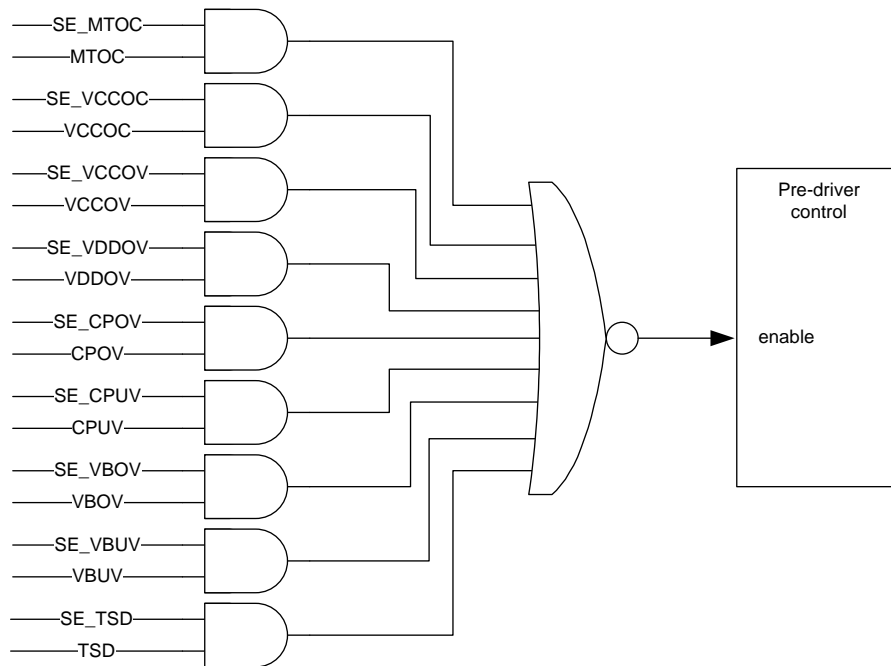


Figure 24. Pre-Driver Shutdown Logic

7.3.1.7 FLTLG0 (address 0x08): Fault Flag Register 0

Bit	Name	Type ⁽¹⁾	Reset	Description
				Fault flag bits of the following conditions; ⁽²⁾
7	MTOC	RW	0	MTOC: Motor overcurrent. (OVAD)
6	VCCOC	RW	0	VCCOC: VCC overcurrent
5	VCCOV	RW	0	VCCOV: VCC overvoltage
4	VDDOV	RW	0	VDDOV: VDD overvoltage
3	CPOV	RW	0	CPOV: Charge-pump overvoltage
2	CPUV	RW	0	CPUV: Charge-pump undervoltage
1	VBOV	RW	0	VBOV: VB overvoltage
0	VBUV	RW	0	VBUV: VB undervoltage
				If FLTCFG.FLGLATCH_EN = 1
				0: Read = No fault condition exists since last cleared. Write = No effect
				1: Read = Fault condition exists. Write = Clear the flag.
				If FLTCFG.FLGLATCH_EN = 0
				0: Read = No fault condition Write = No effect
				1: Read = Fault condition Write = No effect

(1) R: Read, W: Write

(2) Assertion of the fault flags may occur during power up.

DRV3204-Q1

SLVSBT3C – MARCH 2013 – REVISED JULY 2016

www.ti.com

7.3.1.8 FLGFLT1 (address 0x09): Fault Flag Register 1

Bit	Name	Type ⁽¹⁾	Reset	Description
7:1	RSVD	R	0000 000	Reserved
0	VBUV	RW	1	Fault flag bit of thermal shutdown condition. ⁽²⁾ If FLTCFG.FLGLATCH_EN = 1 0: Read = No fault condition exists since last cleared. Write = No effect 1: Read = Fault condition exists. Write = Clear the flag If FLTCFG.FLGLATCH_EN = 0 0: Read = No fault condition Write = No effect 1: Read = Fault condition Write = No effect

- (1) R: Read, W: Write
- (2) Assertion of the fault flags may occur during power up.

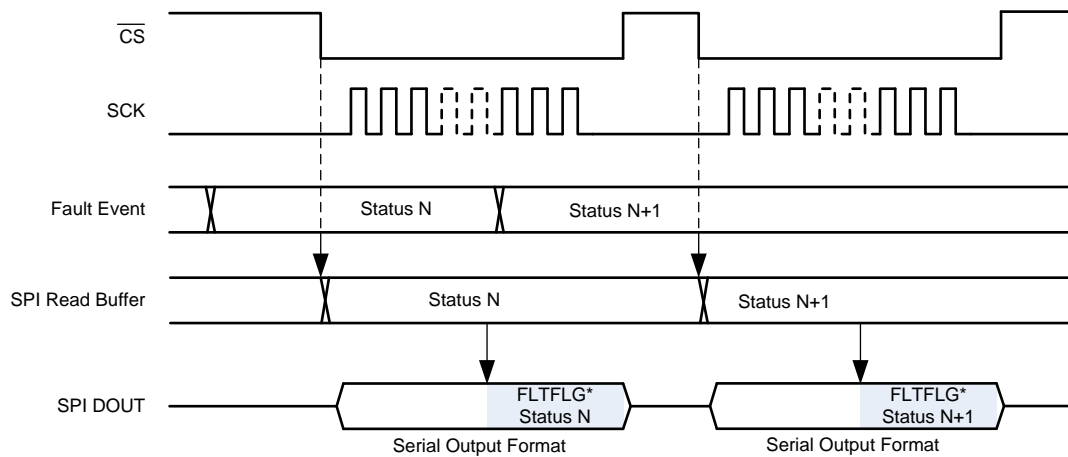
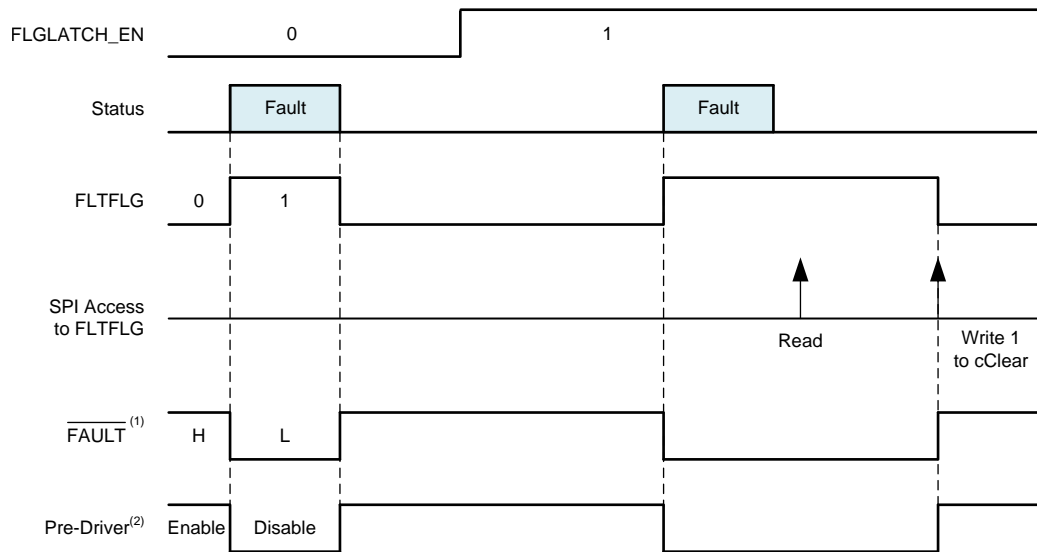


Figure 25. SPI Data-Out Timing Chart of Fault Flag Registers



(1) Assertion of $\overline{\text{FAULT}}$ occurs if $\text{FLTEN} = 1$.

(2) Disabling of pre-driver occurs if $\text{SDNEN} = 1$.

Figure 26. FLGFLG and FLGLATCH_EN

7.3.1.9 CSCFG (address 0x0A): Current Sense Configuration Register

Bit	Name	Type ⁽¹⁾	Reset	Description
7:3	RSVD	R	0000 0	Reserved
2:0	CSOFFSET	RW	000	Current-sense offset 000: 0.5 V 001: 1 V 010: 1.5 V 011: 2 V 100: 2.5 V Others: 0.5 V

(1) R: Read W: Write

7.3.1.10 PDCFG (address 0x0B): Pre-Driver Configuration Register

Bit	Name	Type ⁽¹⁾	Reset	Description
7:2	RSVD	R	0000 00	Reserved
1:0	DEADT	RW	00	Dead time (= t_{dead}) 00: 2 μs 01: 1.5 μs 10: 1 μs 11: 0.5 μs The actual dead time has $\pm 0.2 \mu\text{s}$ variation from the typical value.

(1) R: Read W: Write

7.3.1.11 DIAG (address 0x0C): Diagnosis Register

Bit	Name	Type	Reset	Description
7:3	RSVD	R	0000 0	Reserved
2	VCCUVRST	R	0	nRES reset source information
1	WDTRST	R	0	Bit 2 = VCCUVRST - VCC undervoltage
0	CMRST	R	0	Bit 1 = WDTRST - watchdog timer Bit 0 = CMRST - clock monitor

DRV3204-Q1

SLVSBT3C – MARCH 2013 – REVISED JULY 2016

www.ti.com

Bit	Name	Type	Reset	Description
				0: Read = Reset has not occurred. Write = No effect 1: Read = A corresponding reset source caused the last reset condition. Write = No effect Read access to this register clears the bits.

7.3.1.12 SPARE (address 0x0D): Spare Register

Bit	Name	Type ⁽¹⁾	Reset	Description
7:2	SPARE	RW	0000 00	Spare registers for future use. Read and write have no effect.
1:0	SEL_COMP_HYS	RW	00	Select phase comparator hysteresis voltage. The following show the typical values. 00: 0 V 01: 25 mV 10: 50 mV 11: 100 mV

(1) R: Read W: Write

9 Device and Documentation Support

9.1 Receiving Notification of Documentation Updates

To receive notification of documentation updates, navigate to the device product folder on ti.com. In the upper right corner, click on *Alert me* to register and receive a weekly digest of any product information that has changed. For change details, review the revision history included in any revised document.

9.2 Community Resources

The following links connect to TI community resources. Linked contents are provided "AS IS" by the respective contributors. They do not constitute TI specifications and do not necessarily reflect TI's views; see TI's [Terms of Use](#).

TI E2E™ Online Community *TI's Engineer-to-Engineer (E2E) Community*. Created to foster collaboration among engineers. At e2e.ti.com, you can ask questions, share knowledge, explore ideas and help solve problems with fellow engineers.

Design Support *TI's Design Support* Quickly find helpful E2E forums along with design support tools and contact information for technical support.

9.3 Trademarks

E2E is a trademark of Texas Instruments.
All other trademarks are the property of their respective owners.

9.4 Electrostatic Discharge Caution



These devices have limited built-in ESD protection. The leads should be shorted together or the device placed in conductive foam during storage or handling to prevent electrostatic damage to the MOS gates.

9.5 Glossary

[SLYZ022](#) — *TI Glossary*.

This glossary lists and explains terms, acronyms, and definitions.

10 Mechanical, Packaging, and Orderable Information

The following pages include mechanical, packaging, and orderable information. This information is the most current data available for the designated devices. This data is subject to change without notice and revision of this document. For browser-based versions of this data sheet, refer to the left-hand navigation.

PACKAGING INFORMATION

Orderable Device	Status (1)	Package Type	Package Drawing	Pins	Package Qty	Eco Plan (2)	Lead/Ball Finish (6)	MSL Peak Temp (3)	Op Temp (°C)	Device Marking (4/5)	Samples
DRV3204QPHPQ1	NRND	HTQFP	PHP	48	1	Green (RoHS & no Sb/Br)	NIPDAU	Level-3-260C-168 HR	-40 to 150	DRV3204	

(1) The marketing status values are defined as follows:

ACTIVE: Product device recommended for new designs.

LIFEBUY: TI has announced that the device will be discontinued, and a lifetime-buy period is in effect.

NRND: Not recommended for new designs. Device is in production to support existing customers, but TI does not recommend using this part in a new design.

PREVIEW: Device has been announced but is not in production. Samples may or may not be available.

OBSELETE: TI has discontinued the production of the device.

(2) **RoHS:** TI defines "RoHS" to mean semiconductor products that are compliant with the current EU RoHS requirements for all 10 RoHS substances, including the requirement that RoHS substance do not exceed 0.1% by weight in homogeneous materials. Where designed to be soldered at high temperatures, "RoHS" products are suitable for use in specified lead-free processes. TI may reference these types of products as "Pb-Free".

RoHS Exempt: TI defines "RoHS Exempt" to mean products that contain lead but are compliant with EU RoHS pursuant to a specific EU RoHS exemption.

Green: TI defines "Green" to mean the content of Chlorine (Cl) and Bromine (Br) based flame retardants meet JS709B low halogen requirements of <=1000ppm threshold. Antimony trioxide based flame retardants must also meet the <=1000ppm threshold requirement.

(3) MSL, Peak Temp. - The Moisture Sensitivity Level rating according to the JEDEC industry standard classifications, and peak solder temperature.

(4) There may be additional marking, which relates to the logo, the lot trace code information, or the environmental category on the device.

(5) Multiple Device Markings will be inside parentheses. Only one Device Marking contained in parentheses and separated by a "~" will appear on a device. If a line is indented then it is a continuation of the previous line and the two combined represent the entire Device Marking for that device.

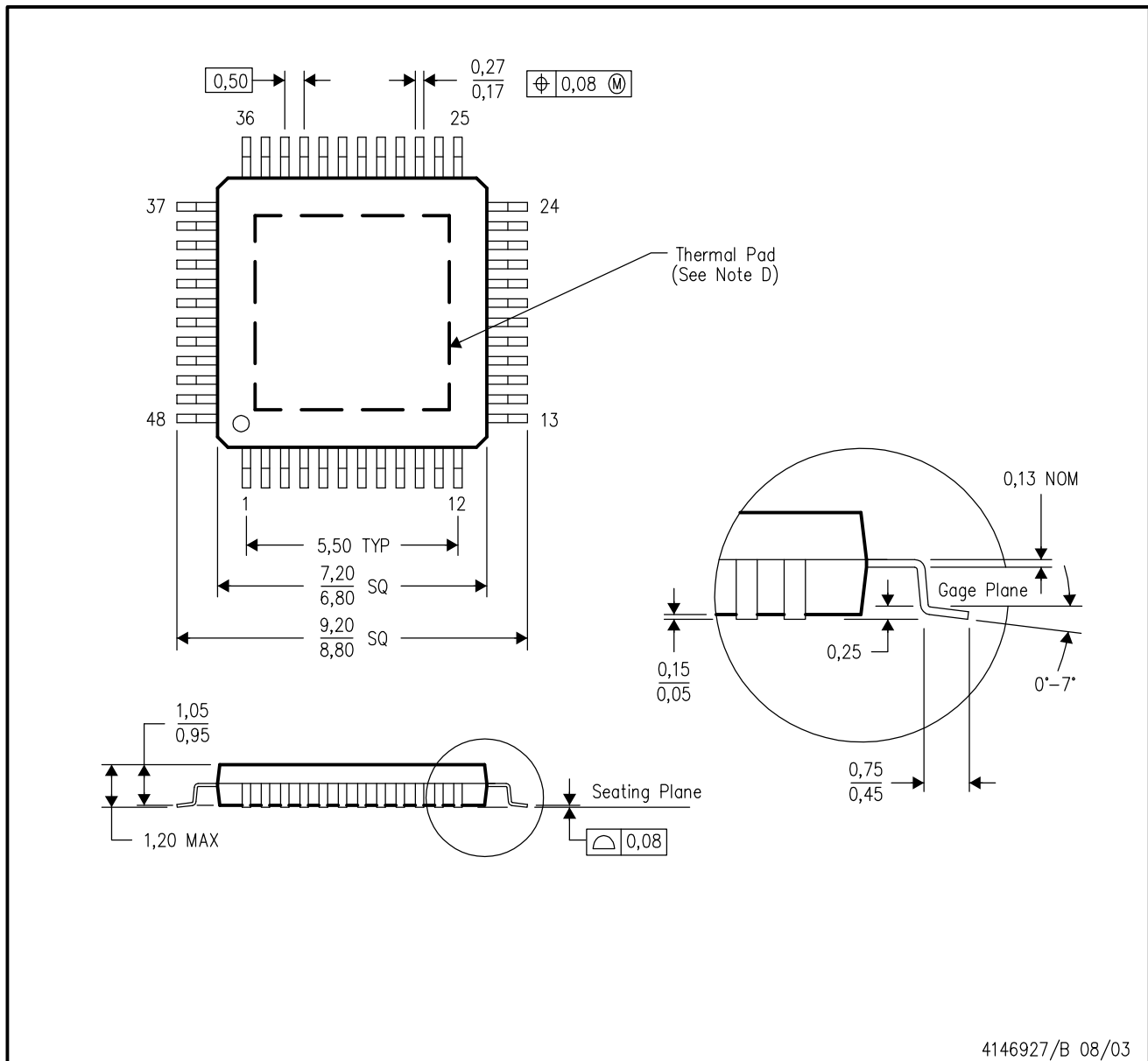
(6) Lead/Ball Finish - Orderable Devices may have multiple material finish options. Finish options are separated by a vertical ruled line. Lead/Ball Finish values may wrap to two lines if the finish value exceeds the maximum column width.

Important Information and Disclaimer:The information provided on this page represents TI's knowledge and belief as of the date that it is provided. TI bases its knowledge and belief on information provided by third parties, and makes no representation or warranty as to the accuracy of such information. Efforts are underway to better integrate information from third parties. TI has taken and continues to take reasonable steps to provide representative and accurate information but may not have conducted destructive testing or chemical analysis on incoming materials and chemicals. TI and TI suppliers consider certain information to be proprietary, and thus CAS numbers and other limited information may not be available for release.

In no event shall TI's liability arising out of such information exceed the total purchase price of the TI part(s) at issue in this document sold by TI to Customer on an annual basis.

PHP (S-PQFP-G48)

PowerPAD™ PLASTIC QUAD FLATPACK



- NOTES:
- All linear dimensions are in millimeters.
 - This drawing is subject to change without notice.
 - Body dimensions do not include mold flash or protrusion.
 - This package is designed to be soldered to a thermal pad on the board. Refer to Technical Brief, PowerPad Thermally Enhanced Package, Texas Instruments Literature No. SLMA002 for information regarding recommended board layout. This document is available at www.ti.com <<http://www.ti.com>>.
 - Falls within JEDEC MS-026

PowerPAD is a trademark of Texas Instruments.

THERMAL PAD MECHANICAL DATA

PHP (S-PQFP-G48)

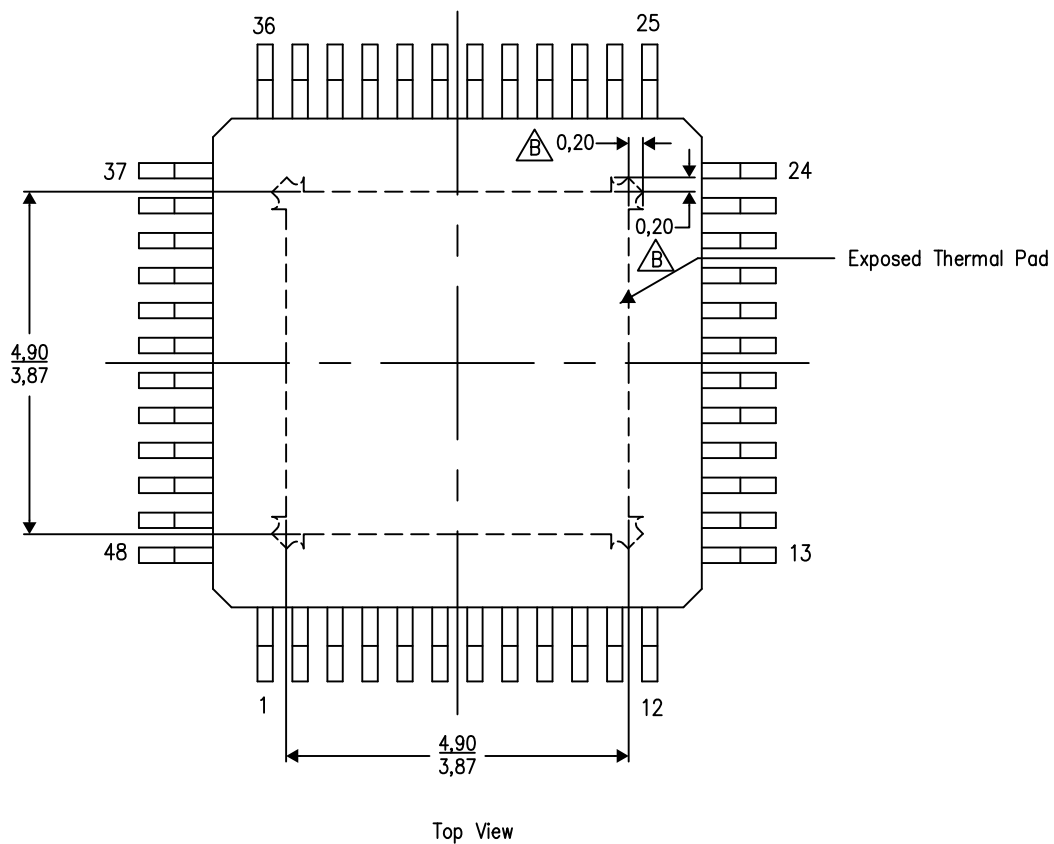
PowerPAD™ PLASTIC QUAD FLATPACK

THERMAL INFORMATION

This PowerPAD™ package incorporates an exposed thermal pad that is designed to be attached to a printed circuit board (PCB). The thermal pad must be soldered directly to the PCB. After soldering, the PCB can be used as a heatsink. In addition, through the use of thermal vias, the thermal pad can be attached directly to the appropriate copper plane shown in the electrical schematic for the device, or alternatively, can be attached to a special heatsink structure designed into the PCB. This design optimizes the heat transfer from the integrated circuit (IC).

For additional information on the PowerPAD package and how to take advantage of its heat dissipating abilities, refer to Technical Brief, PowerPAD Thermally Enhanced Package, Texas Instruments Literature No. SLMA002 and Application Brief, PowerPAD Made Easy, Texas Instruments Literature No. SLMA004. Both documents are available at www.ti.com.


The exposed thermal pad dimensions for this package are shown in the following illustration.



Exposed Thermal Pad Dimensions

4206329-4/P 03/15

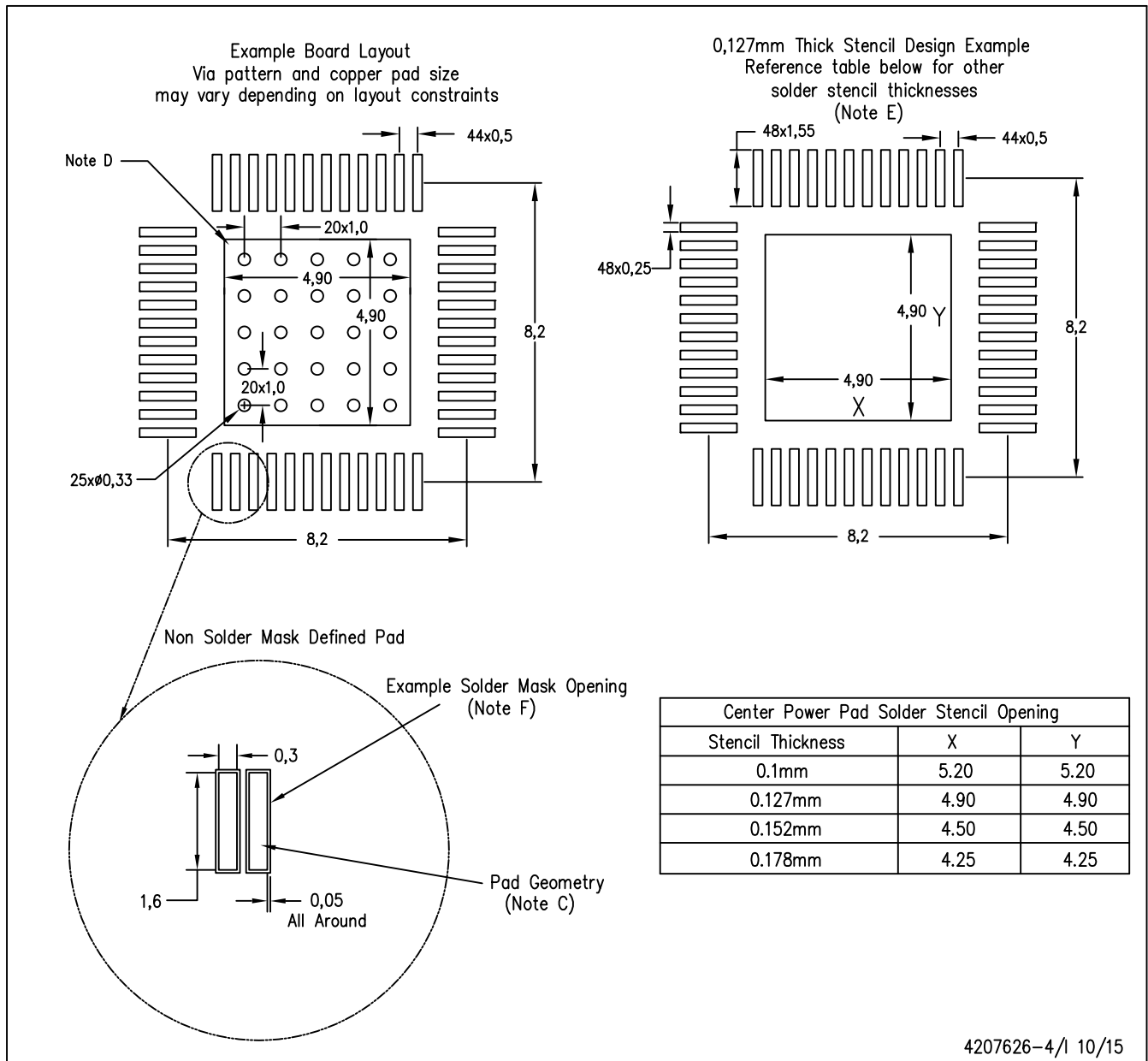
NOTE: A. All linear dimensions are in millimeters

 Tie strap features may not be present.

PowerPAD is a trademark of Texas Instruments

PHP (S-PQFP-G48)

PowerPAD™ PLASTIC QUAD FLATPACK



4207626-4/1 10/15

- NOTES:
- A. All linear dimensions are in millimeters.
 - B. This drawing is subject to change without notice.
 - C. Publication IPC-7351 is recommended for alternate designs.
 - D. This package is designed to be soldered to a thermal pad on the board. Refer to Technical Brief, PowerPAD Thermally Enhanced Package, Texas Instruments Literature No. SLMA002, SLMA004, and also the Product Data Sheets for specific thermal information, via requirements, and recommended board layout. These documents are available at www.ti.com <<http://www.ti.com>>.
 - E. Laser cutting apertures with trapezoidal walls and also rounding corners will offer better paste release. Customers should contact their board assembly site for stencil design recommendations. Refer to IPC 7525 for stencil design considerations.
 - F. Customers should contact their board fabrication site for recommended solder mask tolerances and via tenting options for vias placed in the thermal pad.

PowerPAD is a trademark of Texas Instruments

THERMAL PAD MECHANICAL DATA

PHP (S-PQFP-G48)

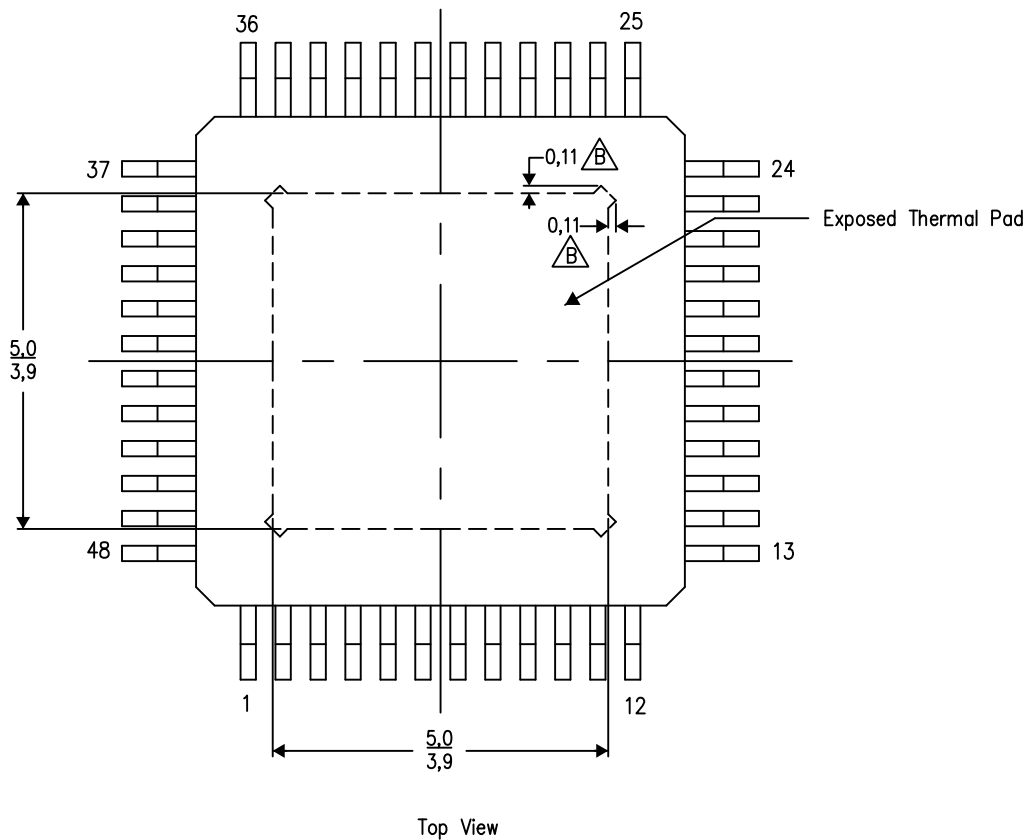
PowerPAD™ PLASTIC QUAD FLATPACK

THERMAL INFORMATION

This PowerPAD™ package incorporates an exposed thermal pad that is designed to be attached to a printed circuit board (PCB). The thermal pad must be soldered directly to the PCB. After soldering, the PCB can be used as a heatsink. In addition, through the use of thermal vias, the thermal pad can be attached directly to the appropriate copper plane shown in the electrical schematic for the device, or alternatively, can be attached to a special heatsink structure designed into the PCB. This design optimizes the heat transfer from the integrated circuit (IC).

For additional information on the PowerPAD package and how to take advantage of its heat dissipating abilities, refer to Technical Brief, PowerPAD Thermally Enhanced Package, Texas Instruments Literature No. SLMA002 and Application Brief, PowerPAD Made Easy, Texas Instruments Literature No. SLMA004. Both documents are available at www.ti.com.


The exposed thermal pad dimensions for this package are shown in the following illustration.



Exposed Thermal Pad Dimensions

4206329-17/P 03/15

NOTE: A. All linear dimensions are in millimeters

 Tie strap features may not be present.

PowerPAD is a trademark of Texas Instruments

IMPORTANT NOTICE AND DISCLAIMER

TI PROVIDES TECHNICAL AND RELIABILITY DATA (INCLUDING DATASHEETS), DESIGN RESOURCES (INCLUDING REFERENCE DESIGNS), APPLICATION OR OTHER DESIGN ADVICE, WEB TOOLS, SAFETY INFORMATION, AND OTHER RESOURCES "AS IS" AND WITH ALL FAULTS, AND DISCLAIMS ALL WARRANTIES, EXPRESS AND IMPLIED, INCLUDING WITHOUT LIMITATION ANY IMPLIED WARRANTIES OF MERCHANTABILITY, FITNESS FOR A PARTICULAR PURPOSE OR NON-INFRINGEMENT OF THIRD PARTY INTELLECTUAL PROPERTY RIGHTS.

These resources are intended for skilled developers designing with TI products. You are solely responsible for (1) selecting the appropriate TI products for your application, (2) designing, validating and testing your application, and (3) ensuring your application meets applicable standards, and any other safety, security, or other requirements. These resources are subject to change without notice. TI grants you permission to use these resources only for development of an application that uses the TI products described in the resource. Other reproduction and display of these resources is prohibited. No license is granted to any other TI intellectual property right or to any third party intellectual property right. TI disclaims responsibility for, and you will fully indemnify TI and its representatives against, any claims, damages, costs, losses, and liabilities arising out of your use of these resources.

TI's products are provided subject to TI's Terms of Sale (www.ti.com/legal/termsofsale.html) or other applicable terms available either on ti.com or provided in conjunction with such TI products. TI's provision of these resources does not expand or otherwise alter TI's applicable warranties or warranty disclaimers for TI products.

Mailing Address: Texas Instruments, Post Office Box 655303, Dallas, Texas 75265
Copyright © 2020, Texas Instruments Incorporated