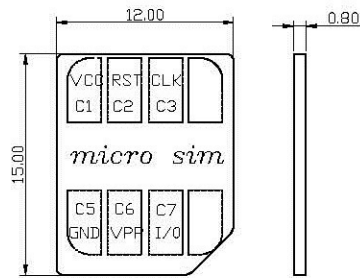
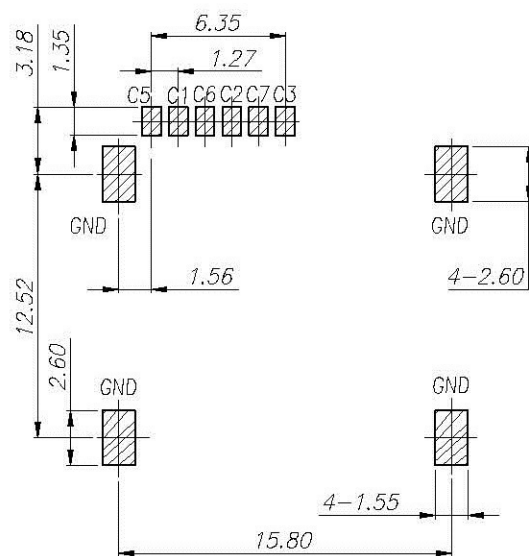
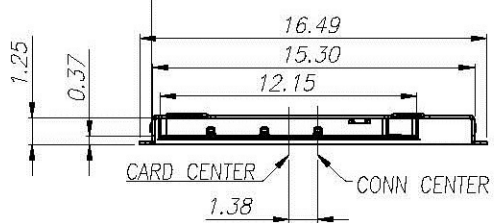
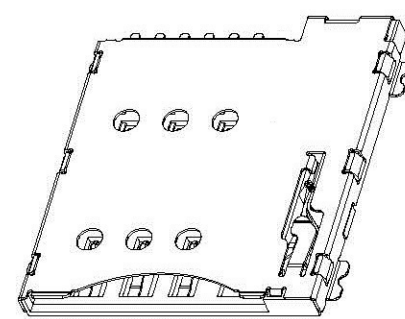
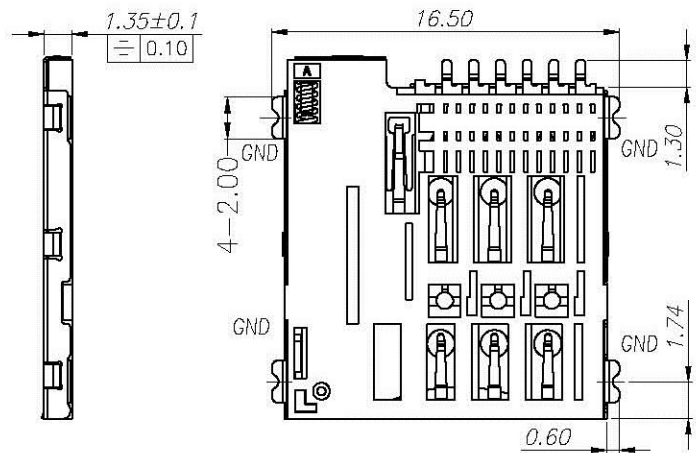
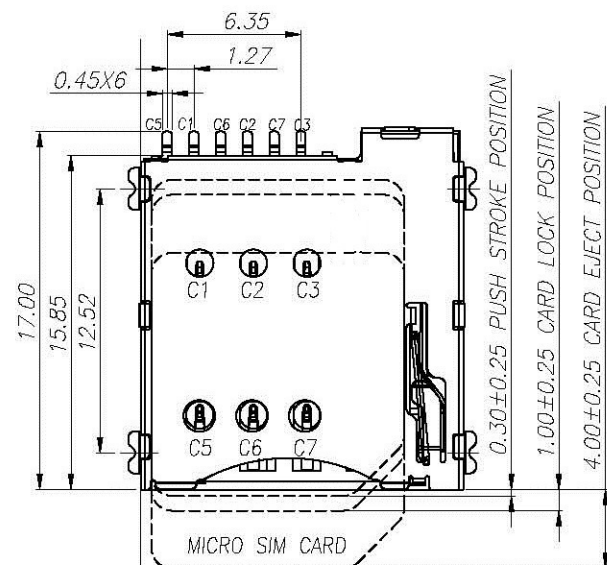


REV.	EC#	DESCRIPTION	DATE	DRAWING	CHECKED	APPROVED
A		NEW RELEASE	20151021	YANG		HAIYONG



SIM pin Assignment	
PIN#	Name
C1	VCC
C2	RST
C3	CLK
C5	GND
C6	VPP
C7	I/O

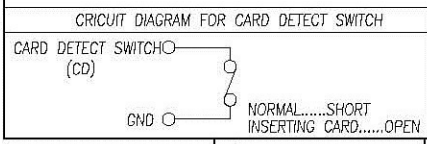
NOTES:

MATERIAL:
 Insulator: High Temperature Thermoplastic, UL 94V-0.
 Contact: Copper Alloy
 Shell: STAINLESS

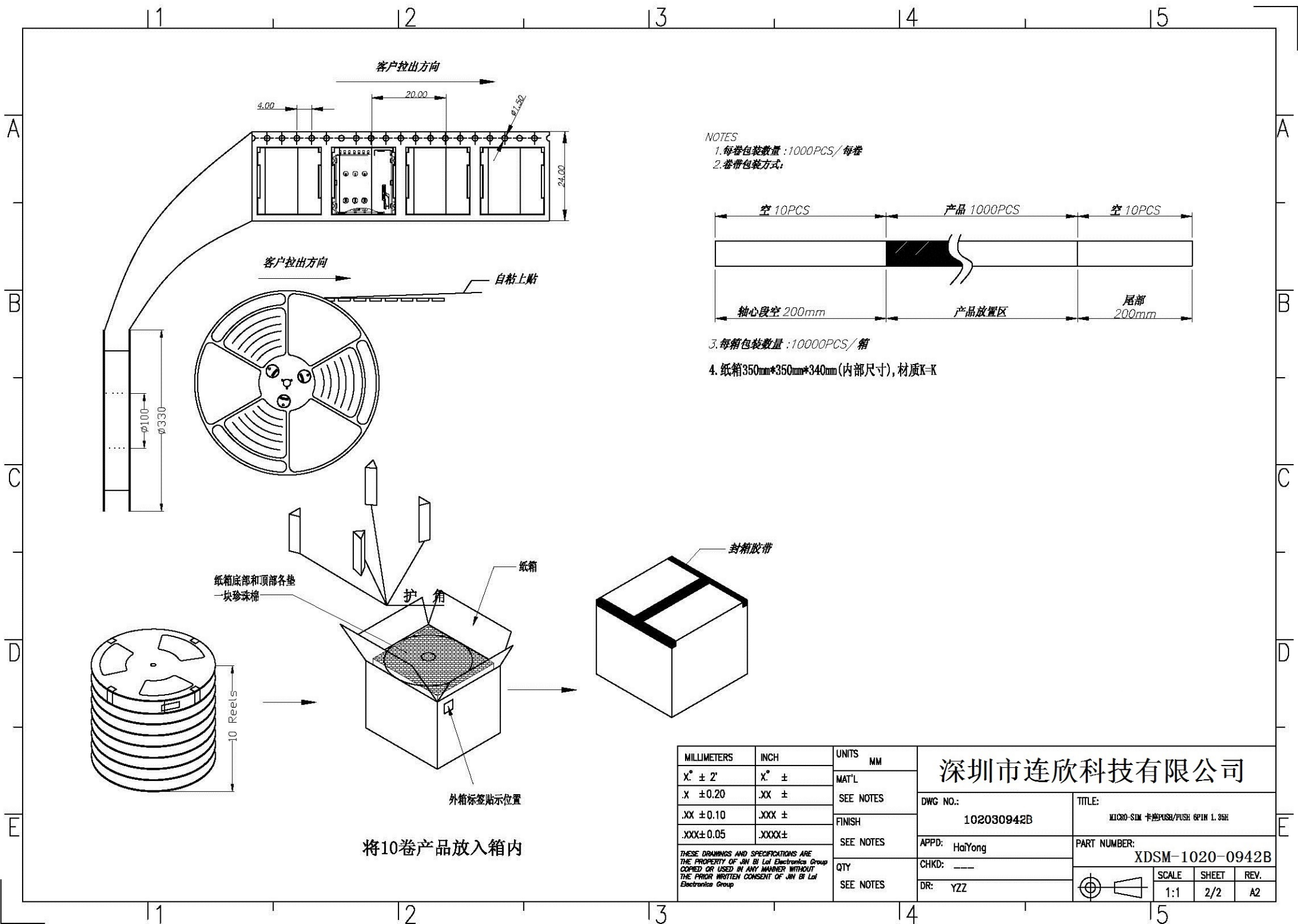
PLATING:
 Contact: Plated 30u" Ni Overall Contact G/F
 Shell: Plated 30u" Ni Overall
 Plated G/F Selective Contact Area

Electrical:
 Current Rating :0.5mA max.
 Voltage Rating :50V DC MAX
 Ambient Temperature Range :-20° C+85° C
 Storage Temperature Range :-40° C+70° C
 Ambient Humidity Range :95% R.H. Max.
 Contact Resistance:100mΩmax.
 Insulation Resistance:100MΩmin./250V AC
 Dielectric Withstanding Voltage:500V AC
 Mating Cycles:5,000 Insertions
 Temperature: 260° C ±5°

■ CIRCUIT TRACE KEEP OUT AREA
 ■ SMT SOLDER AREA
 THERE SHOULD NOT BE ANY CIRCUITRIES IN THE LAYOUT SPACE OF THE PRODUCTS.
RECOMMENDED PCB LAYOUT
 GENERAL TOLERANCE ±0.05

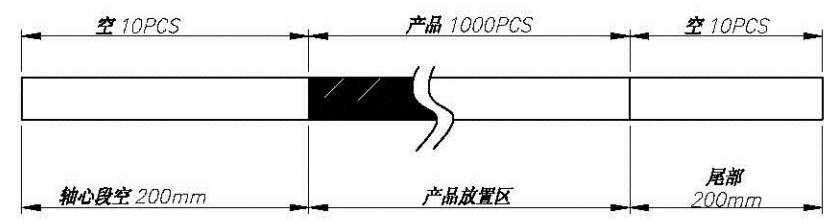


MILLIMETERS	INCH	UNITS	深圳市连欣科技有限公司		
X° ± 2'	X° ±	MM			
X ± 0.30	XX ±	MAT'L	DWG NO.:	TITLE:	
.XX ± 0.25	.XXX ±	SEE NOTES	102030942B	MICRO-SIM 卡座PUSH/PUSH 6PIN 1.35H	
.XXX± 0.15	.XXXX±	FINISH	APPD: XIE	PART NUMBER:	
THESE DRAWINGS AND SPECIFICATIONS ARE THE PROPERTY OF JIN BI Lai Electronics Group COPIED OR USED IN ANY MANNER WITHOUT THE PRIOR WRITTEN CONSENT OF JIN BI Lai Electronics Group			CHKD: --	XDSM-1020-0942B	
QTY	SEE NOTES	DR: XIE	SCALE	SHEET	REV.
			1:1	1/2	A



NOTES

- 1. 每卷包装数量: 1000PCS/每卷
- 2. 卷带包装方式:



- 3. 每箱包装数量: 10000PCS/箱
- 4. 纸箱 350mm*350mm*340mm (内部尺寸), 材质 K-K

纸箱底部和顶部各垫一块珍珠棉

将10卷产品放入箱内

MILLIMETERS	INCH	UNITS	深圳市连欣科技有限公司		
X° ± 2'	X° ±	MM	DWG NO.: 102030942B		
X ± 0.20	XX ±	MAT'L			
.XX ± 0.10	.XXX ±	SEE NOTES	APPD: HaiYong		
.XXX ± 0.05	.XXXX ±	FINISH	PART NUMBER: XDSM-1020-0942B		
THESE DRAWINGS AND SPECIFICATIONS ARE THE PROPERTY OF JIN BI Lai Electronics Group COPIED OR USED IN ANY MANNER WITHOUT THE PRIOR WRITTEN CONSENT OF JIN BI Lai Electronics Group			DR: YZZ		
			SCALE	SHEET	REV.
QTY SEE NOTES			1:1	2/2	A2