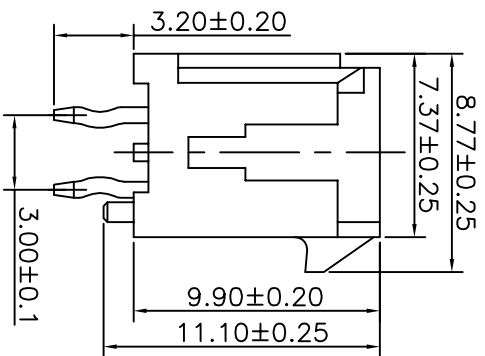
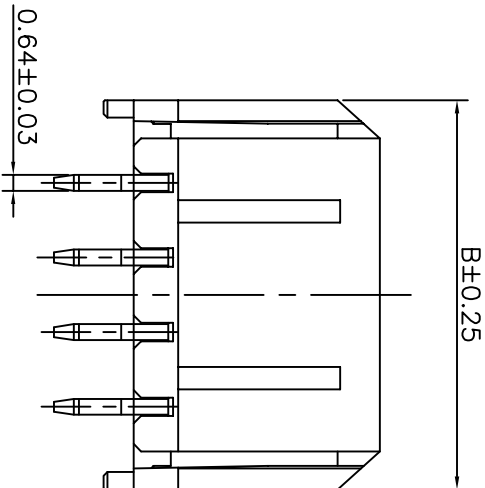
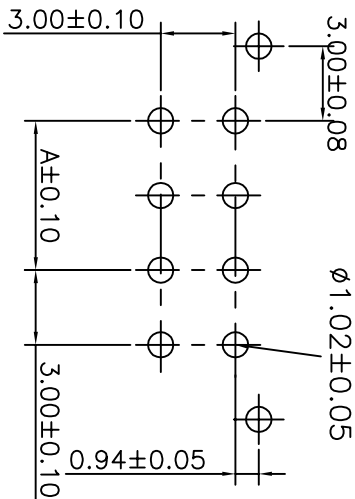
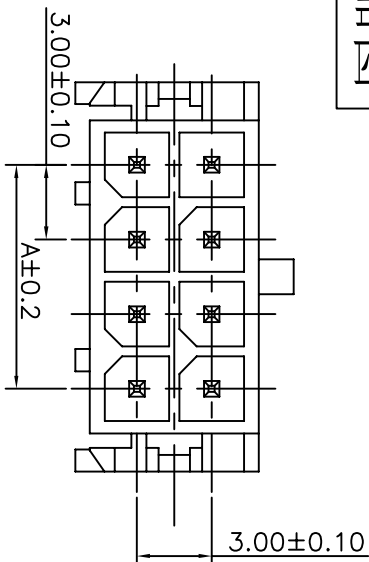


# 成品图



## SPECIFICATIONS

Current Rating: 6A AC,DC  
 Voltage Rating: 250V AC,DC  
 Temperature Range: -40°C ~ +105°C  
 Contact Resistance: 10mΩ Max  
 Insulation Resistance: 1000MΩ Min  
 Withstanding Voltage: 1500V AC/minute  
 Pin Material: Brass/Tin-plated  
 Material: LCP/PBT GF30%,UL94V-0  
 Color: Natural(Black)

## Ordering Information & Dimensions

PART NO.	Dimensions	
	A	B
C3030WV-F-2X01P	---	6.65
C3030WV-F-2X02P	3.00	9.65
C3030WV-F-2X03P	6.00	12.65
C3030WV-F-2X04P	9.00	15.65
C3030WV-F-2X05P	12.00	18.65
C3030WV-F-2X06P	15.00	21.65
C3030WV-F-2X07P	18.00	24.65
C3030WV-F-2X08P	21.00	27.65
C3030WV-F-2X09P	24.00	30.65
C3030WV-F-2X10P	27.00	33.65
C3030WV-F-2X11P	30.00	36.65
C3030WV-F-2X12P	33.00	39.65
C3030WV-F-2X13P	36.00	42.65
C3030WV-F-2X14P	39.00	45.65
C3030WV-F-2X15P	42.00	48.65
C3030WV-F-2X16P	45.00	51.65
C3030WV-F-2X17P	48.00	54.65
C3030WV-F-2X18P	51.00	57.65
C3030WV-F-2X19P	54.00	60.65
C3030WV-F-2X20P	57.00	63.65

# 深圳市连欣科技有限公司

UNIT SCALE SHEET TITLE

mm 1 of 1

DRAWN BY APPROVED BY

CHEN

2019.09.05

GENERAL TOLERANCE

X.X±0.25

X.XX±0.15

X.XXX±0.05

ANGLE±

°

±

3.00mm PITCH

180WAFER,

MICRO-FIT

PART NO.:

XDWF-C3030WV-2XXP

REV.	DESCRIPTION	DATE
A0	NEW RELEASE	2019.09.05

REV. A0