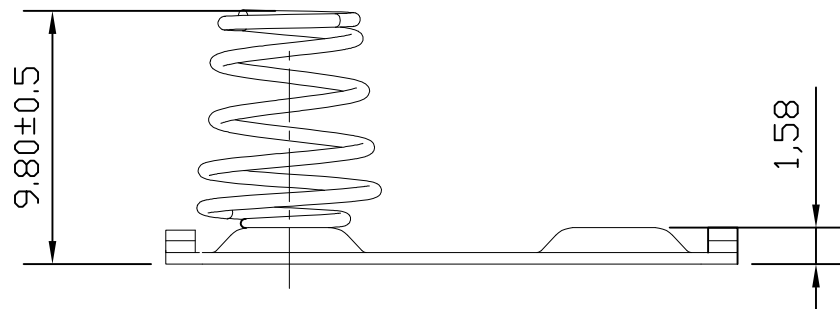
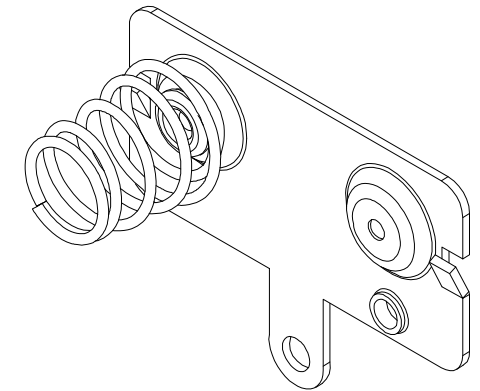
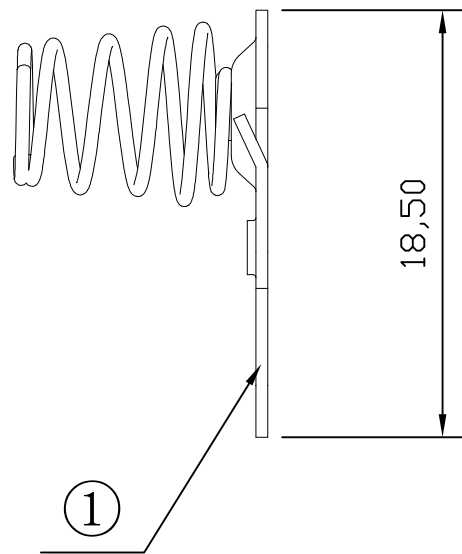
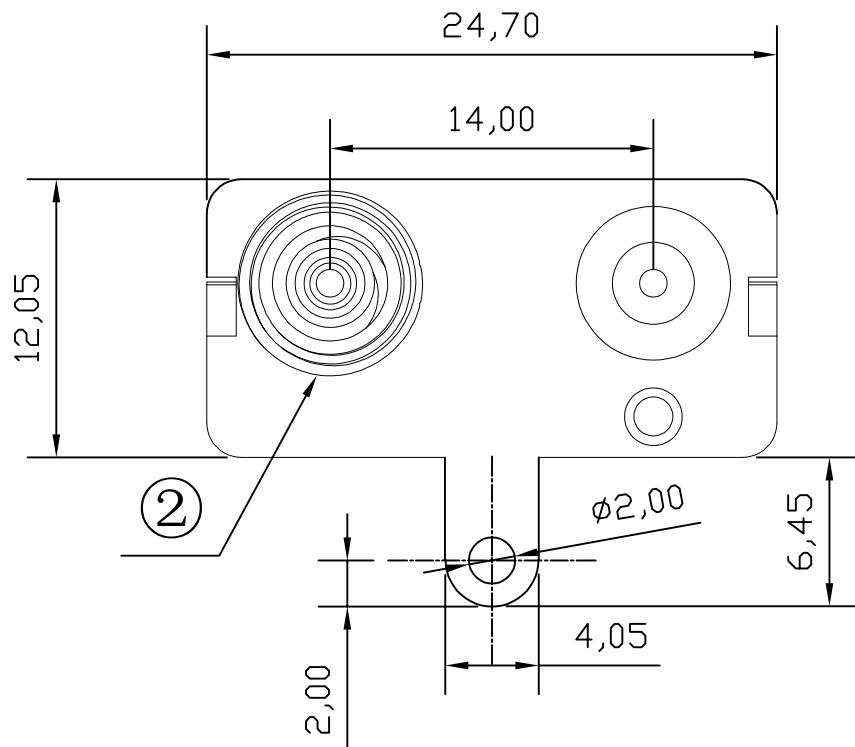




REV.	ECN NO.	REVISED	DATE



工程
2022-03-07
H. WANG

UNLESS OTHERWISE SPECIFIED TOLERANCES		MYOUNG 美用 www.meiyangdz.com	
DECIMALS: X :±0.30 X.X :±0.25 X.XX :±0.20 X.XXX :±0.10	ANGLES: X :±1° X.X :±0.5°	DSND YangFeng	DATE 2022-03-07
WEIGHT:		CHKD ZhouRuicai	DATE 2022-03-07
SHEET 1 OF 1		APVD XueShunyong	DATE 2022-03-07
TITLE:		SCALE:	SIZE: A4
PART NO.:		VIEW:	
DRAW NO.:WD-CP-0193		UNIT: mm	REV.: A/0
		OBJECT: MY	

NO.	PART NAME	Q'TY	MATERIAL	PLATING & COLOR
2	SPRING	1	MUSIC WIRE $\phi 0.6\text{MM}$	Ni-PLATING
1	TERMINAL	1	STEEL T=0.5MM	Ni-PLATING