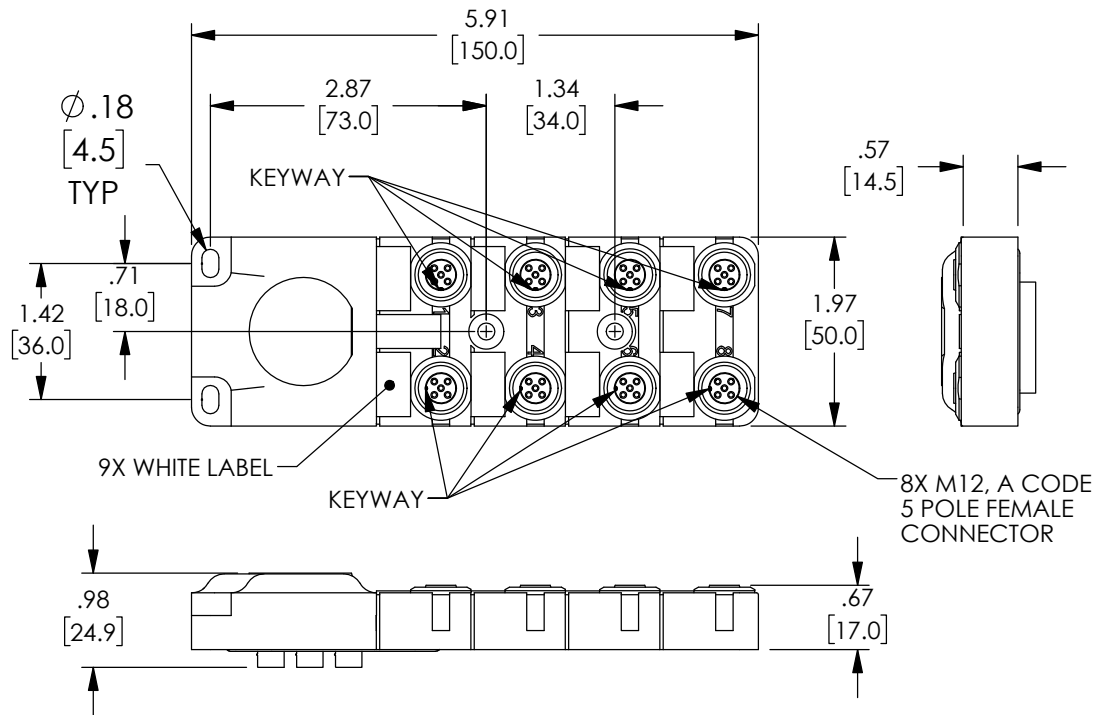
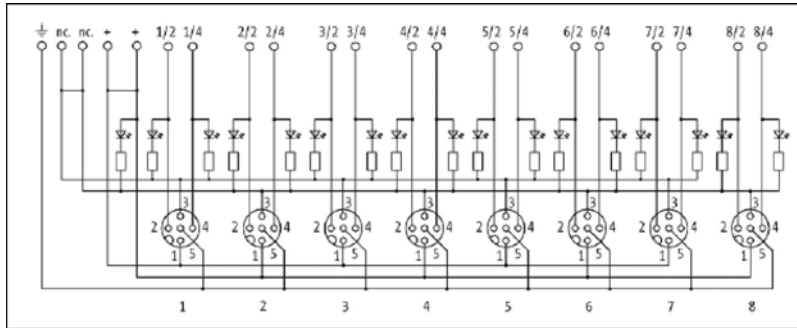


THE INFORMATION CONTAINED IN THIS DRAWING IS THE SOLE PROPERTY OF L-COM, INC. ANY REPRODUCTION IN PART OR WHOLE WITHOUT THE WRITTEN PERMISSION OF L-COM, INC. IS PROHIBITED.

REVISIONS			
REV	DESCRIPTION	DATE	APPROVED
A	INITIAL RELEASE	11/18/2019	GUTTADAURO



SPECIFICATIONS:

M12 FEMALE CONTACT LAYOUT:

- PIN 1 (+)
- PIN 2 (NC)/(S2)
- PIN 3 (-)
- PIN 4 (NO)/(S1)
- PIN 5 (EARTH)

LED DISPLAY: GREEN-POWER / YELLOW-S1 / WHITE- S2

OPERATING VOLTAGE: 24V DC

OPERATING CURRENT PER CONTACT: 4A MAX.

TOTAL CURRENT: 2 X 8A MAX.

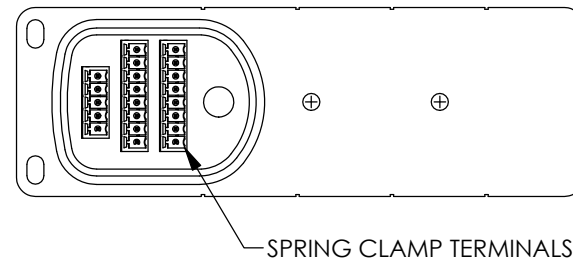
PROTECTION: IP65 / IP67


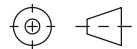
HOUSING: PLASTIC, FLAME RETARDANT

TEMPERATURE RANGE: -20 °C TO +70 °C

ALL DIMENSIONS ARE FOR REFERENCE ONLY.

PACKAGING: COMPONENT SHALL BE INDIVIDUALLY PACKAGED IN ACCORDANCE WITH L-COM SPECIFICATION PS-0031.



UNLESS OTHERWISE SPECIFIED, DIMENSIONS ARE IN INCHES [mm] OVERALL CABLE LENGTH TOLERANCE: ≤12 [305] = +1 [25] / -0 >12 [305] ≤60 [1524] = +2 [51] / -0 >60 [1524] ≤120 [3048] = +4 [102] / -0 >120 [3048] ≤300 [7620] = +6 [152] / -0 >300 [7620] = +5% / -0 ALL OTHER DIMENSIONAL TOLERANCES: .X = ± .2 [5] FRACTIONS ± 1/32 .XX = ± .02 [5] ANGLES ± 1° .XXX = ± .005 [13]	APPROVALS DRAWN BY DFRISIELLO CHECKED BY GUTTADAURO APPROVED BY GUTTADAURO	DATE 11/13/2019 11/18/2019 11/18/2019	 an INFINITO brand 50 High Street, West Mill, North Andover, MA 01845 USA. Phone: 1.800.341.5266 1.978.682.6936
	CONFIGURATION DETAILS OF UNDIMENSIONED FEATURES MAY VARY COLOR VARIATIONS MAY OCCUR		
THIRD-ANGLE PROJECTION 			PRODUCT DESCRIPTION M12 PASS DISTY BOX 8WAY 8x5PAF to SPRING TERMINAL
SIZE A		CAGE CODE 43321	DWG. NO. M12DB8W-5PAF-SPG
SCALE: NONE		CAD FILE: M12DB8W-5PAF-SPG.SLDDRW	SHEET 1 OF 1