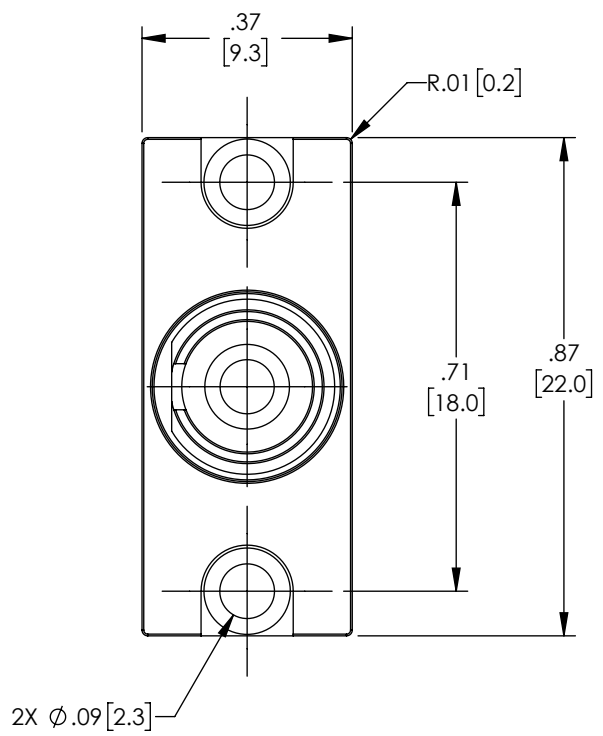
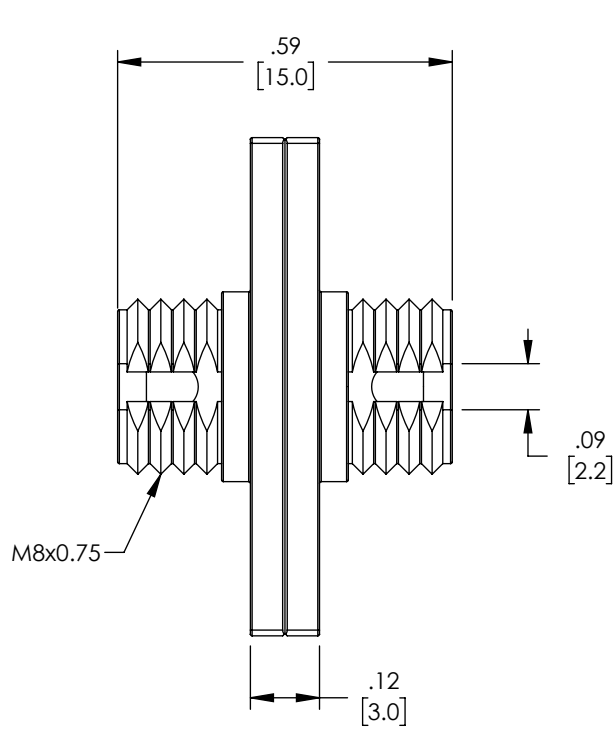

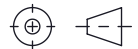


THE INFORMATION CONTAINED IN THIS DRAWING IS THE SOLE PROPERTY OF L-COM, INC. ANY REPRODUCTION IN PART OR WHOLE WITHOUT THE WRITTEN PERMISSION OF L-COM, INC. IS PROHIBITED.

REVISIONS			
REV	DESCRIPTION	DATE	APPROVED
A	INITIAL RELEASE	8/20/21	PHOSPODAR



REGULATORY COMPLIANCE:
EU RoHS DIRECTIVE (MOST RECENT RELEASED VERSION)

UNLESS OTHERWISE SPECIFIED, DIMENSIONS ARE IN INCHES [mm] OVERALL CABLE LENGTH TOLERANCE: ≤ 12 [305] = +1 [25] / -0 > 12 [305] ≤ 60 [1524] = +2 [51] / -0 > 60 [1524] ≤ 120 [3048] = +4 [102] / -0 > 120 [3048] ≤ 300 [7620] = +6 [152] / -0 > 300 [7620] = +5% / -0 ALL OTHER DIMENSIONAL TOLERANCES: .X = $\pm .2$ [5] FRACTIONS $\pm 1/32$.XX = $\pm .02$ [.5] ANGLES $\pm 1^\circ$.XXX = $\pm .005$ [.13]	APPROVALS	DATE	 50 High Street, West Mill, North Andover, MA 01845 USA. Phone: 1.800.341.5266 1.978.682.6936		
	DRAWN BY DMAY	08/10/2021		CATEGORY FIBER OPTICS	
	CHECKED BY PHOSPODAR	8/20/21			
	APPROVED BY PHOSPODAR	8/20/21			
CONFIGURATION DETAILS OF UNDIMENSIONED FEATURES MAY VARY COLOR VARIATIONS MAY OCCUR	PRODUCT DESCRIPTION FIBER OPTIC ECONOMY COUPLER, FC, SIMPLEX SMF, COPPER BODY, CERAMIC SLEEVE	SIZE A	CAGE CODE 43321	ITEM NO. FOA-FCSM1-MC0R	REV. A
THIRD-ANGLE PROJECTION 	SCALE: NONE		CAD FILE: FOA-FCSM1-MC0R.SLDDRW		SHEET 1 OF 1