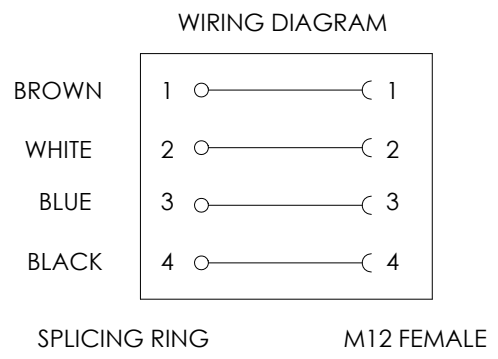
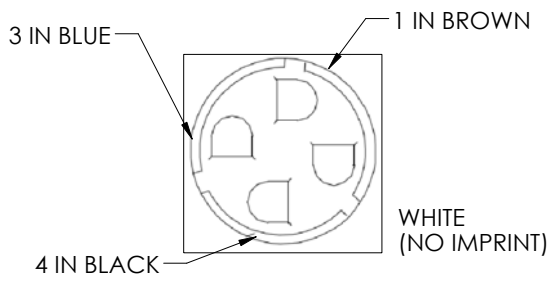
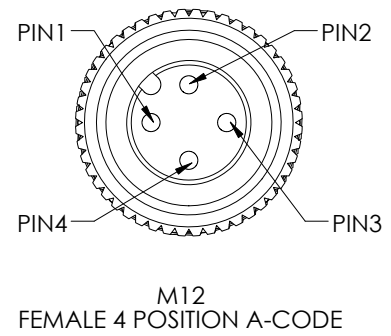
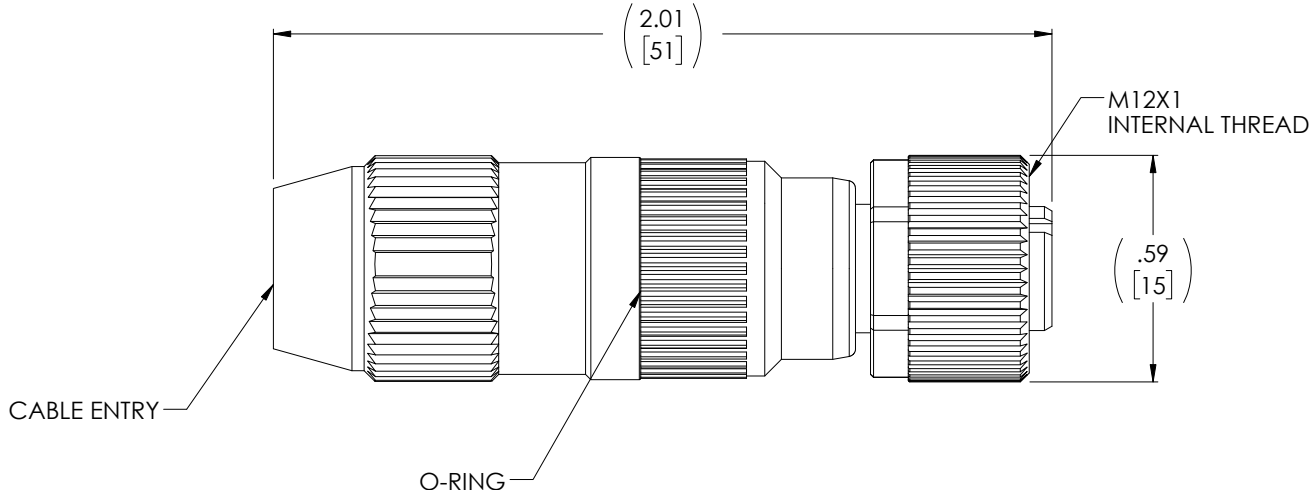


THE INFORMATION CONTAINED IN THIS DRAWING IS THE SOLE PROPERTY OF L-COM, INC. ANY REPRODUCTION IN PART OR WHOLE WITHOUT THE WRITTEN PERMISSION OF L-COM, INC. IS PROHIBITED.

REVISIONS			
REV	DESCRIPTION	DATE	APPROVED
A	INITIAL RELEASE PER DUSTIN GUTTADAURO	04/03/2017	JLABOY
B	ECN 12066: ADDED MISC. NOTE 4	09/01/2022	GUTTADAURO



NOTES:

MECHANICAL DATA


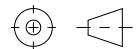
- HOUSING: M12 FEMALE, 4 POLE, A-CODE
- CONDUCTOR CROSS SECTION: 23 AWG - 20 AWG [0.25MM² - 0.5MM²]
- ISOLATION MATERIALS: PVC/PP/TPE
- WIRE DIAMETER: .047 [1.20MM] - .063 [1.60MM]
- CABLE OUTSIDE DIAMETER: .157 [4.0MM] - .201 [5.1MM]
- PROTECTION: IP67 (WHEN MATED AND TIGHTENED, EN60529)
- TEMP RANGE: -25°C TO +85°C

MISCELLANEOUS

- NOMINAL VOLTAGE: MAX 32V AC/DC
- RATED CURRENT: MAX 4A PER CONTACT
- SHIPS UNASSEMBLED
- A 5th CENTER PIN HOLE POSITION MAY APPEAR REGARDLESS OF THE NUMBER OF ACTUAL CONDUCTORS AND WILL NOT BE CONNECTED ELECTRICALLY BUT ALLOWS MATING WITH 5 POLE CABLES, IF NEEDED.

REGULATORY COMPLIANCE:

EU ROHS DIRECTIVE (MOST RECENT RELEASED VERSION)

UNLESS OTHERWISE SPECIFIED, DIMENSIONS ARE IN INCHES [mm]	APPROVALS	DATE	 50 High Street, West Mill, North Andover, MA 01845 USA. Phone: 1.800.341.5266 1.978.682.6936
	DRAWN BY DCUI	03/28/2017	
OVERALL CABLE LENGTH TOLERANCE:	CHECKED BY BZHANG	03/28/2017	CATEGORY TELECOM/MODULAR
≤12 [305] = +1 [25] / -0 >12 [305] ≤60 [1524] = +2 [51] / -0 >60 [1524] ≤120 [3048] = +4 [102] / -0 >120 [3048] ≤300 [7620] = +6 [152] / -0 >300 [7620] = +5% / -0	APPROVED BY SPAN	03/28/2017	
ALL OTHER DIMENSIONAL TOLERANCES:	CONFIGURATION DETAILS OF UNDIMENSIONED FEATURES MAY VARY		PRODUCT DESCRIPTION M12 ,FEMALE ,STRAIGHT 4-POLE
.X = ± .2 [5] FRACTIONS ± 1/32 .XX = ± .02 [.5] ANGLES ± 1° .XXX = ± .005 [.13]	THIRD-ANGLE PROJECTION		
	COLOR VARIATIONS MAY OCCUR	SIZE A CAGE CODE 43321 ITEM NO. M12FT4AF	REV. B
SCALE: NONE		CAD FILE: M12FT4AF.SLDDRW	SHEET 1 OF 1