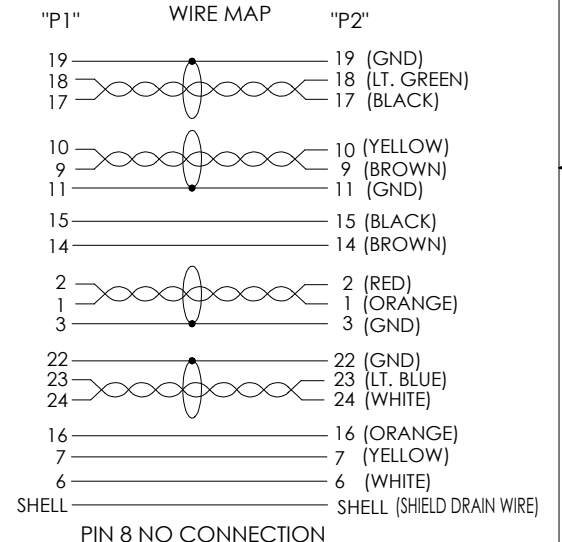
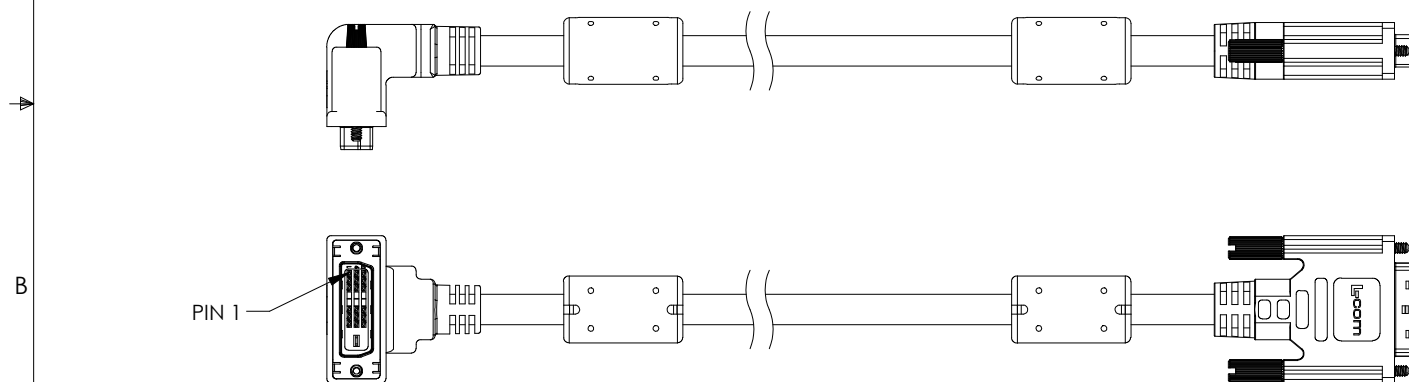
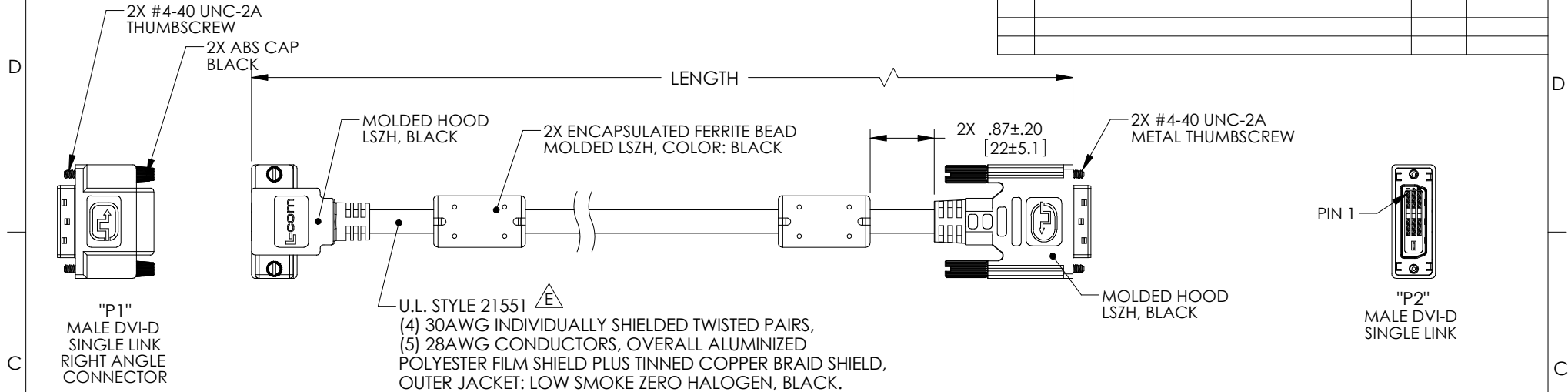


THE INFORMATION CONTAINED IN THIS DRAWING IS THE SOLE PROPERTY OF L-COM, INC. ANY REPRODUCTION IN PART OR WHOLE WITHOUT THE WRITTEN PERMISSION OF L-COM, INC. IS PROHIBITED.

REVISIONS			
REV	DESCRIPTION	DATE	APPROVED
E	ECN 10829: REVISE UL STYLE TO 21551, ADD LSZH CBL CHARACTERISTICS TO DWG, NEW FORMAT	12/10/2020	M. BLACKWOOD



PART NUMBER	LENGTH	
	FEET	METERS
DVIDS-RAZ-1	1.0	[.30]
DVIDS-RAZ-3	3.0	[.91]
DVIDS-RAZ-5	5.0	[1.52]
DVIDS-RAZ-10	10.0	[3.05]
DVIDS-RAZ-15	15.0	[4.57]

**LSZH CABLE CHARACTERISTICS:**  $\triangle E$   
 FLAME RATING: IEC 60332-1  
 CORROSIVE GAS: IEC 60754  
 SMOKE EMISSION: IEC 61034

- NOTES:**
1. CABLE ASSEMBLY TO BE TESTED FOR CONTINUITY
  2. CABLE ASSEMBLY TO BE INDIVIDUALLY PACKAGED IN ACCORDANCE WITH L-COM SPEC. PS-0031.
  3. DUST COVERS INSTALLED FOR SHIPPING (NOT SHOWN).

UNLESS OTHERWISE SPECIFIED, DIMENSIONS ARE IN INCHES [mm] OVERALL CABLE LENGTH TOLERANCE: ≤12 [305] = +1 [25] / -0 >12 [305] ≤60 [1524] = +2 [51] / -0 >60 [1524] ≤120 [3048] = +4 [102] / -0 >120 [3048] ≤300 [7620] = +6 [152] / -0 >300 [7620] = +5% / -0 ALL OTHER DIMENSIONAL TOLERANCES: .X = ± .2 [5]      FRACTIONS ± 1/32 .XX = ± .02 [5]      ± 1/32 .XXX = ± .005 [13]      ANGLES ± 1°	APPROVALS DRAWN BY D. PARHAM 12/16/2011 CHECKED BY D. FRISIELLO 12/16/2011 APPROVED BY P. McNEIL 12/16/2011	DATE 12/16/2011	50 High Street, West Mill, North Andover, MA 01845 USA. Phone: 1.800.341.5266 1.978.682.6936
	CONFIGURATION DETAILS OF UNDIMENSIONED FEATURES MAY VARY	CATEGORY <b>AUDIO/VIDEO</b>	
THIRD-ANGLE PROJECTION 	COLOR VARIATIONS MAY OCCUR	SIZE <b>A</b> CAGE CODE <b>43321</b> DWG. NO. <b>DVIDS-RAZ</b>	REV. <b>E</b>
REF	SCALE: NONE	CAD FILE: DVIDS-RAZ.SLDDRW	SHEET 1 OF 1