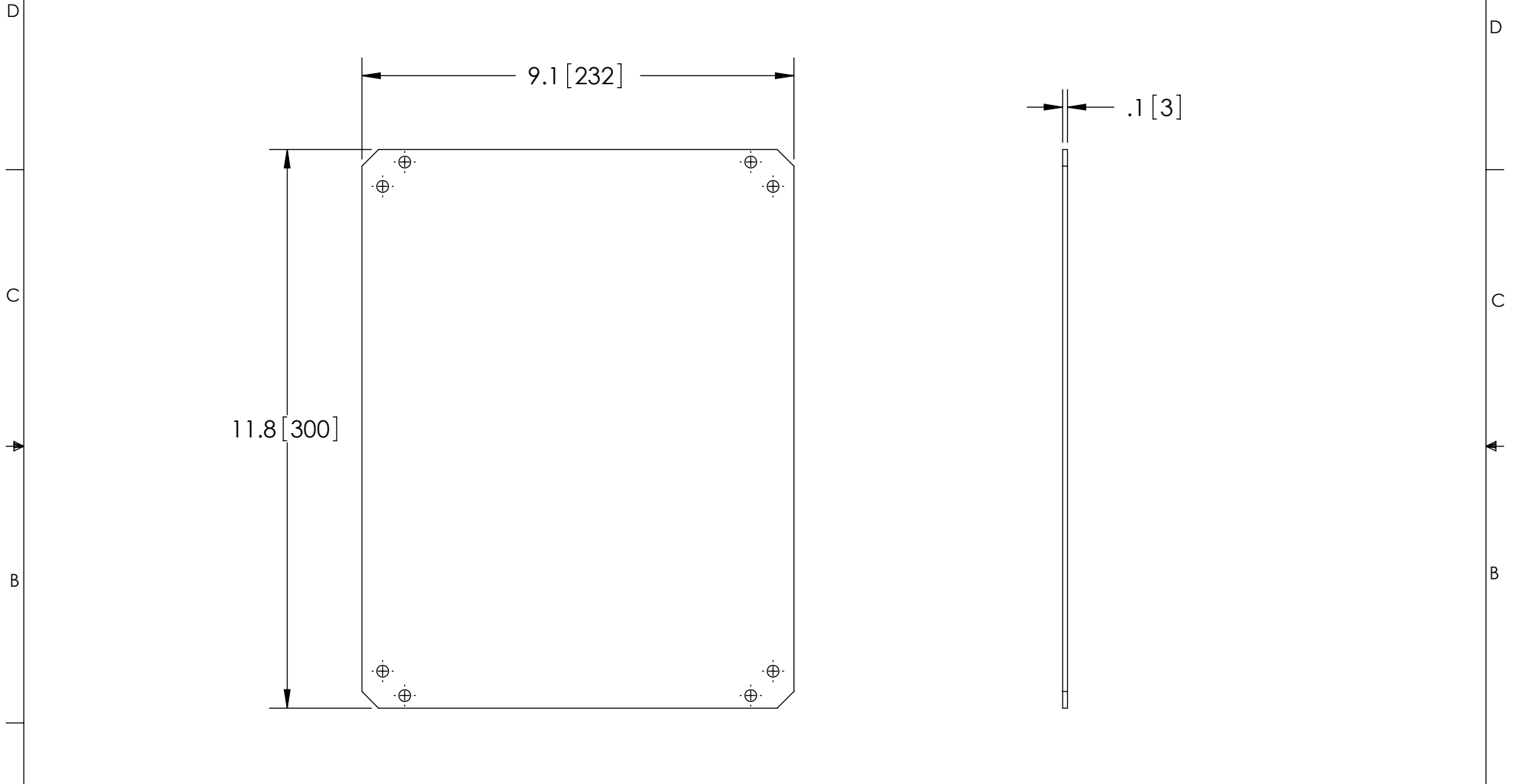


THE INFORMATION CONTAINED IN THIS DRAWING IS THE SOLE PROPERTY OF L-COM, INC. ANY REPRODUCTION IN PART OR WHOLE WITHOUT THE WRITTEN PERMISSION OF L-COM, INC. IS PROHIBITED.

REVISIONS			
REV	DESCRIPTION	DATE	APPROVED
A	INITIAL RELEASE	5/26/10	D.GRIFFIN
B	ECN4922: MAT'L WAS .08 THK. ADDED FINISH NOTE.	07/22/10	DFP
C	ECN5071: 11.81 WAS 12.00. .781 WAS .875. .265 WAS .359.	10/07/10	DFP
D	ECN 6677 CHANGE NOTES. UPDATE DESCRIPTION	02/11/13	B.PUCHASKI



NOTES:
 1- PACKAGE IN ACCORDANCE WITH L-COM SPECIFICATION PS-0014
 - ALL DIMENSIONS FOR REFERENCE ONLY -

UNLESS OTHERWISE SPECIFIED, DIMENSIONS ARE IN INCHES [mm] OVERALL CABLE LENGTH TOLERANCE: ≤12 [305] = +1 [25] / -0 >12 [305] ≤60 [1524] = +2 [51] / -0 >60 [1524] ≤120 [3048] = +4 [102] / -0 >120 [3048] ≤300 [7620] = +6 [152] / -0 >300 [7620] = +3% / -0% ALL OTHER DIMENSIONAL TOLERANCES: .X = ±.2 .XX = ±.02 .XXX = ±.005	APPROVALS DRAWN BY D. PARHAM CHECKED BY D. CASTRO APPROVED BY K. BLOMGREN	DATE 05/21/2010 05/24/2010 05/25/2010	45 BEECHWOOD DRIVE NORTH ANDOVER, MA 01845		
	CONFIGURATION DETAILS OF UNDIMENSIONED FEATURES MAY VARY			CATEGORY RACK PANELS	
PROJECTION 	COLOR VARIATIONS MAY OCCUR	SIZE A	FSCM NO. 43321	DWG. NO. HGX-NPLATE20	REV. D
1BE04-017		SCALE: NONE	CAD FILE: HGX-NPLATE20.SLDDRW	SHEET 1 OF 1	