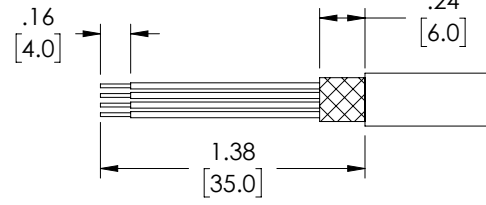
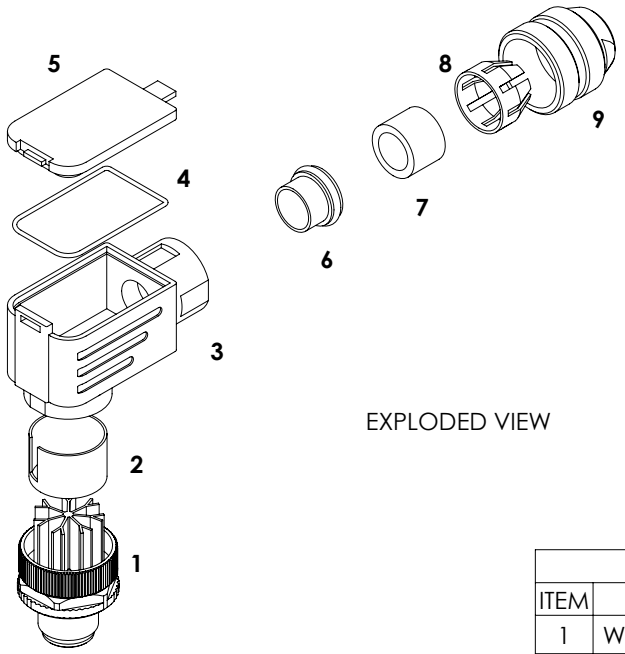


THE INFORMATION CONTAINED IN THIS DRAWING IS THE SOLE PROPERTY OF L-COM, INC. ANY REPRODUCTION IN PART OR WHOLE WITHOUT THE WRITTEN PERMISSION OF L-COM, INC. IS PROHIBITED.

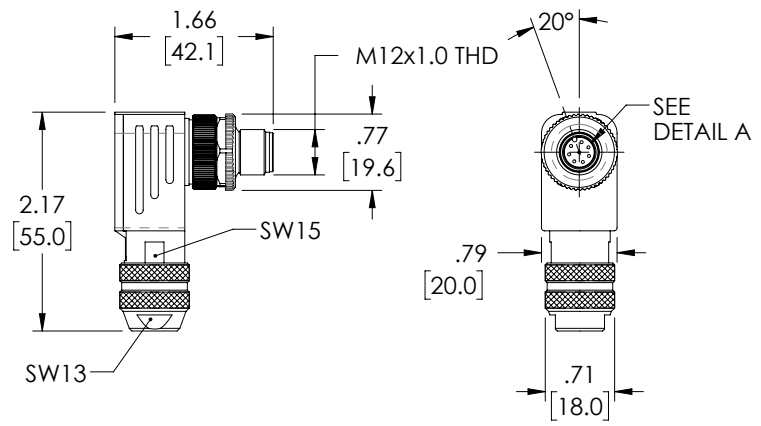
REVISIONS			
REV	DESCRIPTION	DATE	APPROVED
A	REV A DRAWING RELEASED	02/28/2019	DGUTTADAUR



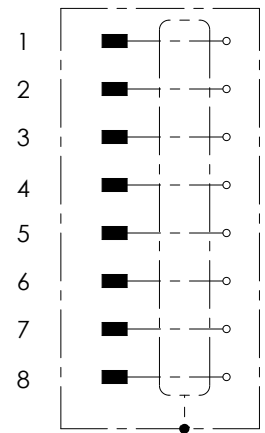
RECOMMENDED WIRE STRIPPING TYP.



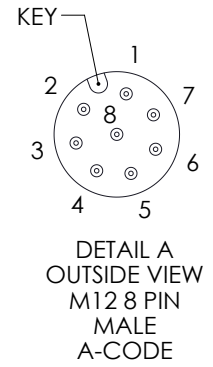
EXPLODED VIEW



PART TABLE	
ITEM	DESCRIPTION
1	WIRE MANAGER & PINS
2	INSULATING SLEEVE
3	HOUSING
4	SEALING O-RING
5	HOUSING COVER
6	METAL SLEEVE
7	RUBBER SLEEVE
8	PLASTIC BUSHING
9	COMPRESSION NUT



WIRING DIAGRAM



DETAIL A  
OUTSIDE VIEW  
M12 8 PIN  
MALE  
A-CODE

**NOTES:**

- MECHANICAL DATA:**
1. CABLE OUTSIDE DIAMETER: 6mm - 8mm (.24" - .31")
  2. CONDUCTOR RANGE: 0.25 - 0.5mm<sup>2</sup> (24 - 20 AWG)
  3. CABLE CONNECTION: SCREW TERMINAL
  4. TEMP. RANGE: -40°C TO +85°C
  5. PROTECTION: IP67 WHEN MATED AND TIGHTENED
  6. HOUSING MATERIAL: BRASS, NICKEL PLATED
  7. RECOMMENDED TORQUE 0.6NM

- MISCELLANEOUS:**
1. OPERATING VOLTAGE: 30 V AC/DC
  2. OPERATING CURRENT PER CONTACT: MAX 2 A
  3. SHIPS UNASSEMBLED
  4. DIMENSIONS FOR REFERENCE ONLY

UNLESS OTHERWISE SPECIFIED,  
DIMENSIONS ARE IN INCHES [mm]  
OVERALL CABLE LENGTH TOLERANCE:  
≤12 [305] = +1 [25] / -0  
>12 [305] ≤60 [1524] = +2 [51] / -0  
>60 [1524] ≤120 [3048] = +4 [102] / -0  
>120 [3048] ≤300 [7620] = +6 [152] / -0  
>300 [7620] = +5% / -0%

ALL OTHER DIMENSIONAL TOLERANCES:  
.X = ± .2 [5.08]  
.XX = ± .02 [51]  
.XXX = ±.005 [1.27]



APPROVALS		DATE
DRAWN BY DZINN		02/28/2019
CHECKED BY DFRISIELLO		02/28/2019
APPROVED BY DGUTTADAUR		02/28/2019

**L-com** Global Connectivity  
50 HIGH STREET  
NORTH ANDOVER, MA  
01845

CATEGORY  
**TELECOM/MODULAR**

PRODUCT DESCRIPTION  
**M12 8A-M FIELD TERM SHD 90°**

SIZE	FSCM NO.	DWG. NO.	REV.
<b>A</b>	<b>43321</b>	<b>M12FT8AM90S</b>	<b>A</b>

SCALE: NONE | CAD FILE: M12FT8AM90S.SLDRW | SHEET 1 OF 1