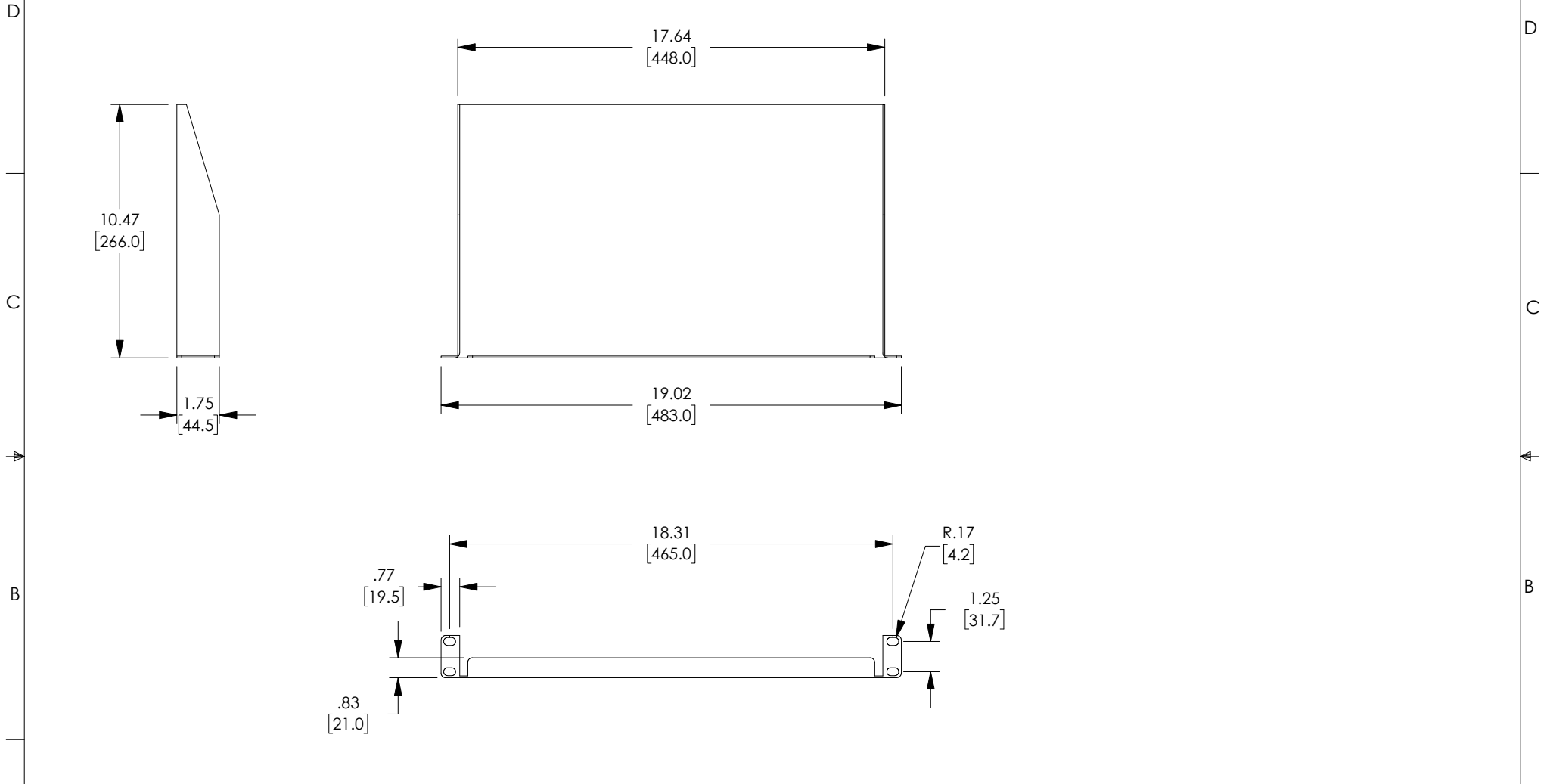


THE INFORMATION CONTAINED IN THIS DRAWING IS THE SOLE PROPERTY OF L-COM, INC. ANY REPRODUCTION IN PART OR WHOLE WITHOUT THE WRITTEN PERMISSION OF L-COM, INC. IS PROHIBITED.

REVISIONS			
REV	DESCRIPTION	DATE	APPROVED
A	REV A DRAWING RELEASED	11/26/2018	JYOU
B	ECN 9837: REVISED DRAWING DIMENSIONING AND FORMAT	05/03/2019	DFRISIELLO



NOTES:
1. ALL DIMENSIONS ARE FOR REFERENCE ONLY.

UNLESS OTHERWISE SPECIFIED, DIMENSIONS ARE IN INCHES [mm] OVERALL CABLE LENGTH TOLERANCE: ≤12 [305] = +1 [25] / -0 >12 [305] ≤60 [1524] = +2 [51] / -0 >60 [1524] ≤120 [3048] = +4 [102] / -0 >120 [3048] ≤300 [7620] = +6 [152] / -0 >300 [7620] = +5% / -0% ALL OTHER DIMENSIONAL TOLERANCES: .X = ±.2 [5.08] .XX = ±.02 [51] .XXX = ±.005 [1.27]	APPROVALS DRAWN BY JYOU	DATE 11/05/2018		50 HIGH STREET NORTH ANDOVER, MA 01845
	CHECKED BY BGATES	DATE 11/05/2018		CATEGORY RACK PANELS
	APPROVED BY BGATES	DATE 11/05/2018	PRODUCT DESCRIPTION L-COM 19" RACKMOUNT SHELF 10.5" DEPTH - 1U	REV. B
	PROJECTION 	COLOR VARIATIONS MAY OCCUR	SCALE: NONE CAD FILE: RP00014-1.SLDDRW	SHEET 1 OF 1