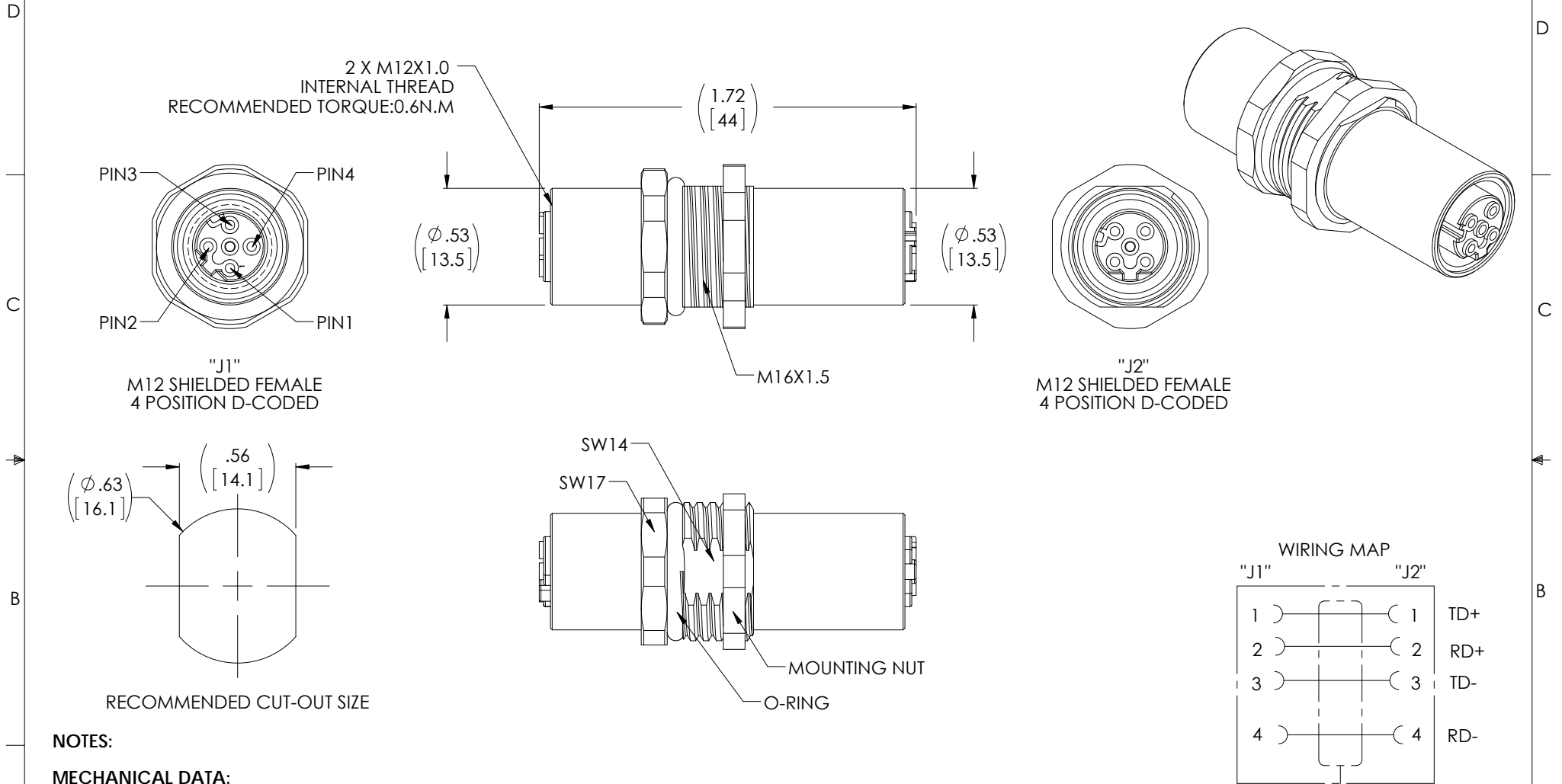


THE INFORMATION CONTAINED IN THIS DRAWING IS THE SOLE PROPERTY OF L-COM, INC. ANY REPRODUCTION IN PART OR WHOLE WITHOUT THE WRITTEN PERMISSION OF L-COM, INC. IS PROHIBITED.

REVISIONS			
REV	DESCRIPTION	DATE	APPROVED
A	INITIAL RELEASE PER DUSTIN GUTTADAURO	03/29/17	J.LABOY



NOTES:
MECHANICAL DATA:
 1. TEMP. RANGE: -25 °C TO +85 °C
 2. MATERIAL: CUZN, NICKEL PLATED
 3. PROTECTION: IP66K, IP67 (WHEN MATED AND TIGHTENED, EN 60529)

MISCELLANEOUS:
 1. NOMINAL VOLTAGE: MAX 60 V AC/DC
 2. RATED CURRENT: MAX 4A PER CONTACT
 3. CATEGORY: CATEGORY 5E (IEC 11801:2002)

REGULATORY COMPLIANCE:
 CE2011/65/EU (ROHS DIRECTIVE)

UNLESS OTHERWISE SPECIFIED, DIMENSIONS ARE IN INCHES [mm] OVERALL CABLE LENGTH TOLERANCE: ≤12 [305] = +1 [25] / -0 >12 [305] ≤60 [1524] = +2 [51] / -0 >60 [1524] ≤120 [3048] = +4 [102] / -0 >120 [3048] ≤300 [7620] = +6 [152] / -0 >300 [7620] = +5% / -0% ALL OTHER DIMENSIONAL TOLERANCES: .X = ±.2 [5.08] .XX = ±.02 [51] .XXX = ±.005 [1.27]	APPROVALS DRAWN BY D.CUI CHECKED BY B.ZHANG APPROVED BY S.PAN	DATE 03/27/17 03/27/17 03/27/17	50 HIGH STREET NORTH ANDOVER, MA 01845		
	CONFIGURATION DETAILS OF UNDIMENSIONED FEATURES MAY VARY			CATEGORY TELECOM/MODULAR	
	COLOR VARIATIONS MAY OCCUR			PRODUCT DESCRIPTION M12 GENDER CHANGER, FEMALE/FEMALE 4 POLE D-CODED	
	PROJECTION 	SCALE: NONE CAD FILE: M124DFFS.SLDDRW		SIZE A	FSCM NO. 43321