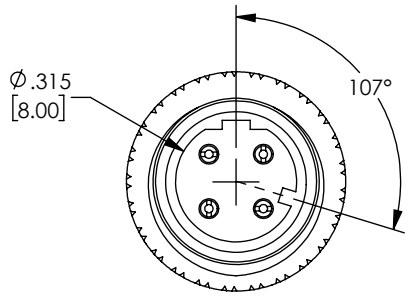


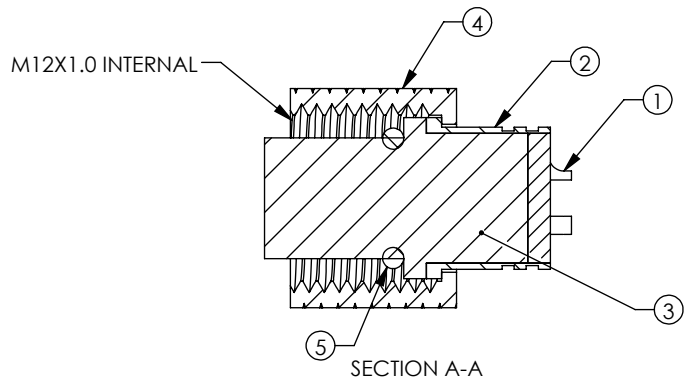
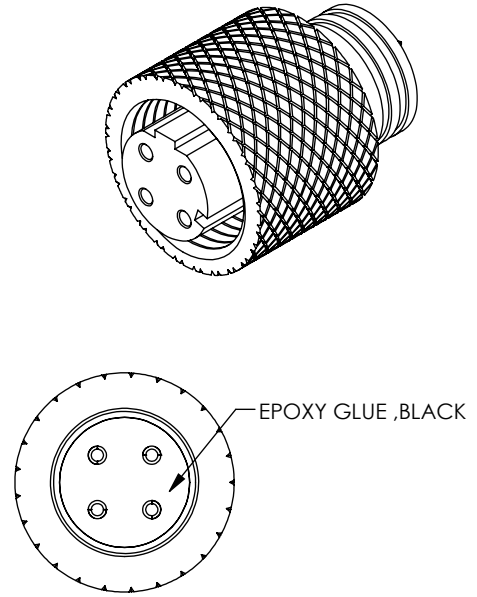
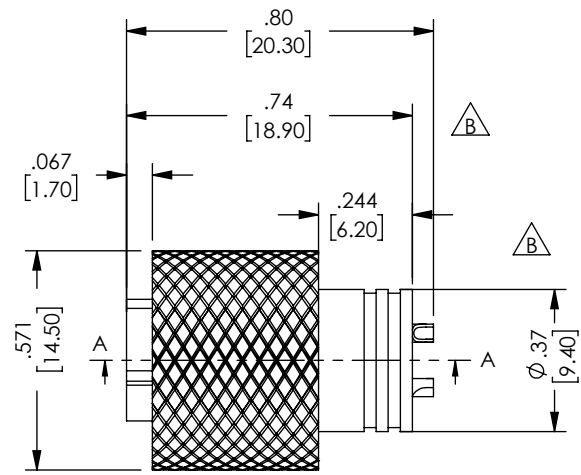
THE INFORMATION CONTAINED IN THIS DRAWING IS THE SOLE PROPERTY OF L-COM, INC. ANY REPRODUCTION IN PART OR WHOLE WITHOUT THE WRITTEN PERMISSION OF L-COM, INC. IS PROHIBITED.

REVISIONS			
REV	DESCRIPTION	DATE	APPROVED
A	INITIAL RELEASE	3/1/18	D.FRISIELLO
B	ECN 10309:ADDED PS-0031,REM CX MARK&RoHS,UPD DIM.,DWG FORMAT	1/16/20	DGUITADAURO

MATERIAL LIST				
ITEM	DESCRIPTION	MATERIAL	PLATING/COLOR	QTY
1	CONTACT	QSN4-3	GOLD PLATED 15U" & NICKEL	4
2	SHIELD	H59	NICKEL	1
3	CONTACT MOUNT	PA	BLACK	1
4	SCREW NUT	H59	NICKEL	1
5	O-RING	NBR	BLACK	1



4PIN D CODE FEMALE CONNECTOR
FRONT VIEW



SECTION A-A

NOTES



MATERIAL
SEE MATERIAL LIST

ELECTRICAL
CURRENT RATING: 4 A
VOLTAGE: 250V
CONTACT RESISTANCE: 3mΩ MAX
INSULATION RESISTANCE: 1000MΩ MIN

ENVIRONMENT
OPERATING TEMPERATURE: -40~85°C

APPLICATION
UL FLAMMABILITY: IEC 60695-11-10, UL94V-0
CONNECTOR NEED MEET: IEC 61076-2-101 STANDARD
INGRESS PROTECTION: RATING IS IP68(MATED, 1METER, 24HOUR)

MISCELLANEOUS:
CONNECTOR SHALL BE INDIVIDUALLY PACKAGED IN ACCORDANCE WITH L-COM SPECIFICATION PS-0031.

UNLESS OTHERWISE SPECIFIED, DIMENSIONS ARE IN INCHES [mm] OVERALL CABLE LENGTH TOLERANCE: ≤12 [305] = +1 [25] / -0 >12 [305] ≤60 [1524] = +2 [51] / -0 >60 [1524] ≤120 [3048] = +4 [102] / -0 >120 [3048] ≤300 [7620] = +6 [152] / -0 >300 [7620] = +5% / -0 ALL OTHER DIMENSIONAL TOLERANCES: .X = ± .2 [5] FRACTIONS ± 1/32 .XX = ± .02 [5] ANGLES ± 1° .XXX = ± .005 [13]	APPROVALS	DATE	 50 High Street, West Mill, North Andover, MA 01845 USA. Phone: 1.800.341.5266 1.978.682.6936		
	DRAWN BY D.CUI	2/7/18		CATEGORY TELECOM/MODULAR	
	CHECKED BY D.FRISIELLO	2/7/18			
	APPROVED BY D.GUITADAURO	3/1/18		PRODUCT DESCRIPTION M12, 4P D-CODE FEMALE SHIELD, IP68 MOLDING TYPE	
THIRD-ANGLE PROJECTION 	COLOR VARIATIONS MAY OCCUR	SIZE A	CAGE CODE 43321	DWG. NO. M124DF-MLD	REV. B
REF	SCALE: NONE	CAD FILE: M124DF-MLD.SLDDRW	SHEET 1 OF 1		