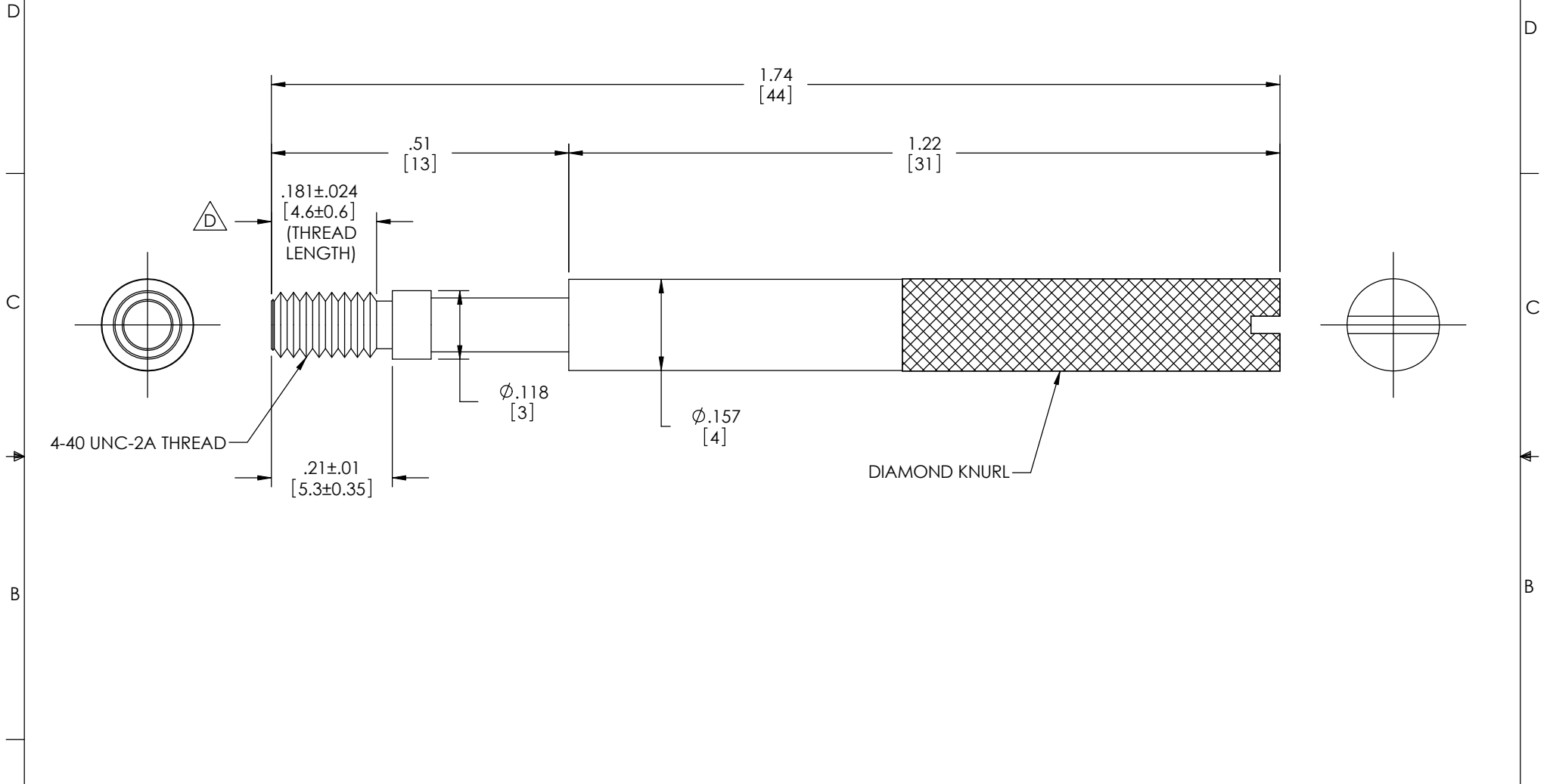


THE INFORMATION CONTAINED IN THIS DRAWING IS THE SOLE PROPERTY OF L-COM, INC. ANY REPRODUCTION IN PART OR WHOLE WITHOUT THE WRITTEN PERMISSION OF L-COM, INC. IS PROHIBITED.

RoHS Compliant ✓

REVISIONS			
REV	DESCRIPTION	DATE	APPROVED
A	INITIAL RELEASE	05/15/03	B.MAZEJKA
B	ECN# 2731 - ADDED ROHS STAMP	10/23/07	D.GRIFFIN
C	ECN 6098: UPDATE FORMAT. ADD PACKAGING. ADD DIM. OF 5.3 +/- .35.	4/17/12	D. DESJARDIN
D	ECN 6124: ADDED THREAD LENGTH DIMENSION	4/27/12	D.FRISIELLO



NOTES:

1. MATERIAL: STEEL.
2. FINISH: NICKEL PLATING.
3. PART SHALL BE PACKAGED IN BULK IN ACCORDANCE WITH L-COM SPECIFICATION PS-0031.

UNLESS OTHERWISE SPECIFIED, DIMENSIONS ARE IN INCHES [mm] OVERALL CABLE LENGTH TOLERANCE: ≤12 [305] = +1 [25] / -0 >12 [305] ≤60 [1524] = +2 [51] / -0 >60 [1524] ≤120 [3048] = +4 [102] / -0 >120 [3048] ≤300 [7620] = +6 [152] / -0 >300 [7620] = +3% / -0%	APPROVALS	DATE		45 BEECHWOOD DRIVE NORTH ANDOVER, MA 01845
	DRAWN BY BMAZEJKA	05/09/2003		CATEGORY DATA CABLING
ALL OTHER DIMENSIONAL TOLERANCES: .X = ± .2 .XX = ± .02 .XXX = ± .005	CHECKED BY D.PARHAM	05/13/2003	PRODUCT DESCRIPTION SDCXXAG SERIES THUMBSCREW	
PROJECTION 	APPROVED BY R.CARRICK	05/13/2003	CONFIGURATION DETAILS OF UNDIMENSIONED FEATURES MAY VARY	SIZE A FSCM NO. 43321 DWG. NO. 04X44S REV. D
	COLOR VARIATIONS MAY OCCUR	REF	SCALE: NONE	CAD FILE: 04X44S.SLDDRW SHEET 1 OF 1