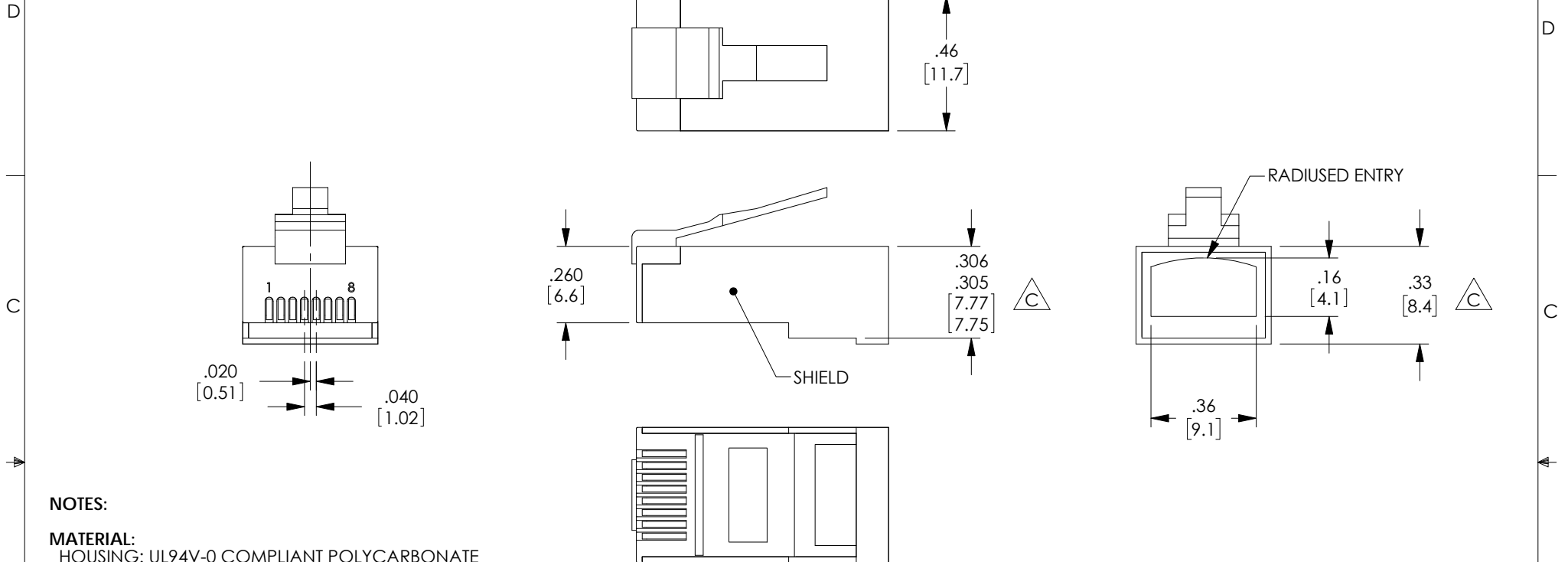


THE INFORMATION CONTAINED IN THIS DRAWING IS THE SOLE PROPERTY OF L-COM, INC. ANY REPRODUCTION IN PART OR WHOLE WITHOUT THE WRITTEN PERMISSION OF L-COM, INC. IS PROHIBITED.

REVISIONS			
REV	DESCRIPTION	DATE	APPROVED
A	REPLACES T8P8CSR-OD1	06/24/2014	D.CASTRO
B	ECN 10771: REMOVE DOCUMENTS LTI-018, LCT-002, LCT-003	11/05/2020	GUTTADAURO
C	ECN 11197: ADDED AND REVISED DIMENSIONS PER QC	06/28/2021	GUTTADAURO



NOTES:

MATERIAL:
 HOUSING: UL94V-0 COMPLIANT POLYCARBONATE
 CONTACTS: COPPER ALLOY
 SHIELDING: BRASS

FINISH:
 CONTACT PLATING: 15 μINCHES GOLD
 SHIELDING: NICKEL


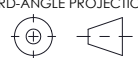
ELECTRICAL:
 CURRENT RATING: 2A (MAX) @25°C
 VOLTAGE RATING: 250 VAC (MAX)
 INSULATION RESISTANCE: 500M OHMS @ 1000 VAC

MECHANICAL:
 DURABILITY: MIN OF 500 INSERTION AND WITHDRAWAL CYCLES
 CONDUCTOR ACCEPTANCE: 24 OR 26AWG
 MAXIMUM CONDUCTOR OD: .038"
 CONDUCTOR TYPE: STRANDED OR SOLID
 CONTACT STYLE: THREE PRONG

ENVIRONMENTAL:
 OPERATING TEMPERATURE RANGE: -40°C TO +125°C.

MISCELLANEOUS:
 ALL DIMENSIONS ARE FOR REFERENCE ONLY.
 COMPONENT SHALL BE INDIVIDUALLY PACKAGED PER L-COM SPEC PS-0031.

*CONTACTS SHOWN CRIMPED

UNLESS OTHERWISE SPECIFIED, DIMENSIONS ARE IN INCHES [mm] OVERALL CABLE LENGTH TOLERANCE: ≤12 [305] = +1 [25] / -0 >12 [305] ≤60 [1524] = +2 [51] / -0 >60 [1524] ≤120 [3048] = +4 [102] / -0 >120 [3048] ≤300 [7620] = +6 [152] / -0 >300 [7620] = +5% / -0 ALL OTHER DIMENSIONAL TOLERANCES: .X = ± .2 [5] FRACTIONS ± 1/32 .XX = ± .02 [5] ANGLES ± 1° .XXX = ± .005 [13]	APPROVALS DRAWN BY D.PARHAM	DATE 03/25/2002	 50 High Street, West Mill, North Andover, MA 01845 USA. Phone: 1.800.341.5266 1.978.682.6936	
	CHECKED BY T.CLARK	03/26/2002		CATEGORY TELECOM/MODULAR
	THIRD-ANGLE PROJECTION 	CONFIGURATION DETAILS OF UNDIMENSIONED FEATURES MAY VARY	PRODUCT DESCRIPTION PLUG,RJ45 8X8 SHLD	SIZE A
	COLOR VARIATIONS MAY OCCUR	CAGE CODE 43321	ITEM NO. T8P8CSR	REV. C
SCALE: NONE		CAD FILE: T8P8CSR.SLDDRW		
			SHEET 1 OF 1	