

15V/250mA Nanopower Buck DC/DC with Programmable Peak Input Current

FEATURES

- **Input Voltage Range: 2.5V to 15V**
- **Output Current: Up to 250mA**
- **$I_{VIN} = 65nA$ (In Regulation, No Load)**
- **Output Voltage Range: 1.2V to 5V**
- 16 Fixed Output Voltages Programmed via 4 Pin-Strapped Inputs
- 4 Peak V_{IN} Currents Programmed via 2 Pin-Strapped Inputs (10mA/30mA/100mA/300mA)
- Low I_Q Dropout Mode
- Power Good (PGOOD) Output
- 12-Lead 2mm × 2mm LQFN and 12-Ball 1.18mm × 1.62mm Chip Scale (WLCSP) Packages

APPLICATIONS

- Low Power Primary Battery Powered Systems (e.g., 1× to 3× Li-Ion Primary, 3× to 8× AAA)
- Remote Industrial Sensors (e.g., Meters, Alarms)
- Asset Trackers
- Electronic Door Locks
- Keep-Alive Supplies/Battery Backup
- SmartMesh® Applications

DESCRIPTION

The LTC[®]3336 is a compact high efficiency nanopower hysteretic buck DC/DC which can deliver up to 250mA of output current from a 2.5V to 15V input. Input quiescent current is typically 65nA with the output in regulation at no load for output voltages less than 2.4V; this number is reduced further for higher output voltages at which internal circuits can be boot-strapped from the output.

Performance specifications are ideal for primary (i.e., non-rechargeable) battery powered applications: low I_Q plus the ability to set the peak current to a level matched to the battery's maximum capacity point.

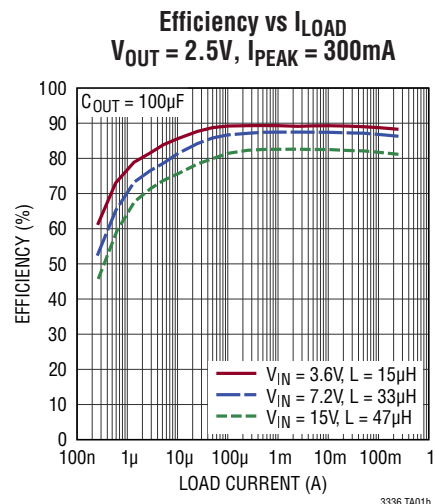
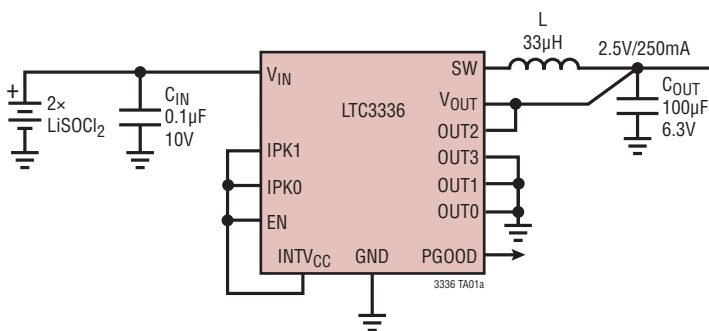
The peak input currents of 10mA, 30mA, 100mA, and 300mA are pin selectable as well as the output voltages of 1.2V, 1.5V, 1.6V, 1.8V, 2.0V, 2.4V, 2.5V, 2.8V, 3.0V, 3.2V, 3.3V, 3.6V, 3.7V, 4.1V, 4.2V, and 5.0V.

The LTC3336 is offered in a compact 12-lead 2mm × 2mm LQFN or an ultra compact 12-ball 1.18mm × 1.62mm WLCSP package.

LTC3336	LQFN, $I_{PEAK} = 10mA/30mA/100mA/300mA$
LTC3336-1	WLCSP, $I_{PEAK} = 10mA/30mA$
LTC3336-2	WLCSP, $I_{PEAK} = 100mA/300mA$

All registered trademarks and trademarks are the property of their respective owners.

TYPICAL APPLICATION

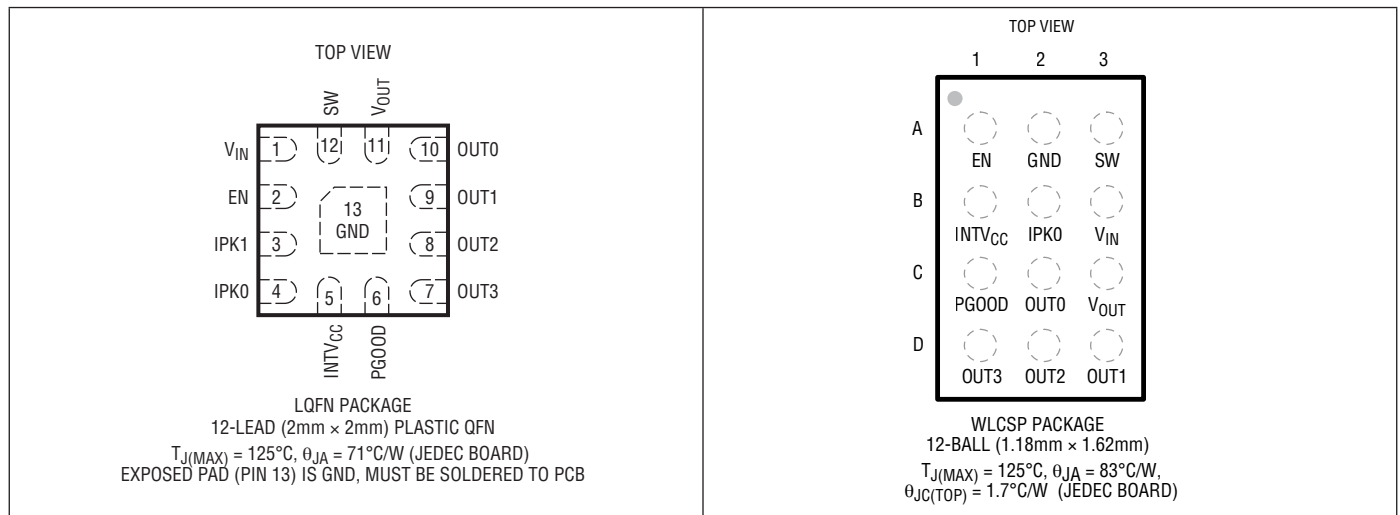


LTC3336

ABSOLUTE MAXIMUM RATINGS (Note 1)

V_{IN} Voltage	-0.3V to 16.5V	SW Current	400mA
EN, IPK[1:0], OUT[3:0] Voltage	-0.3V to 6V	Operating Junction Temperature Range (Notes 2, 3).....	-40°C to 125°C
PGOOD Voltage.....	-0.3V to ($V_{OUT} + 0.3V$)	Storage Temperature Range	-65°C to 150°C
PGOOD Current.....	$\pm 1mA$	Reflow Soldering Peak Temperature	260°C

PIN CONFIGURATION



ORDER INFORMATION

TAPE AND REEL	TAPE AND REEL MINI	PART MARKING		PACKAGE TYPE	MSL RATING	TEMPERATURE RANGE (SEE NOTE 2)
		DEVICE	FINISH CODE			
LTC3336EV#TRPBF	LTC3336EV#TRMPBF	LHMJ	e4	LQFN (Laminate Package with QFN Footprint)	3	-40°C to 125°C
LTC3336ACBZ-1-R7	N/A	361	e1	12-Ball (1.18mm x 1.62mm) WLCSP, CB-12-15	1	-40°C to 125°C
LTC3336ACBZ-2-R7	N/A	362	e1	12-Ball (1.18mm x 1.62mm) WLCSP, CB-12-15	1	-40°C to 125°C

Contact the factory for parts specified with wider operating temperature ranges.

[Tape and reel specifications](#). Some packages are available in 500 unit reels through designated sales channels with #TRMPBF suffix.

ELECTRICAL CHARACTERISTICS

The ● denotes the specifications which apply over the specified operating junction temperature range, otherwise specifications are at $T_A = 25^\circ\text{C}$ (Note 2). $V_{IN} = 7.2\text{V}$ unless otherwise noted.

PARAMETER	CONDITIONS		MIN	TYP	MAX	UNITS
V_{IN} Input Voltage Range		●	2.5		15	V
V_{IN} Quiescent Current	Sleeping (in Regulation), V_{OUT} Settings < 2.4V			65	150	nA
	Sleeping (in Regulation), V_{OUT} Settings \geq 2.4V			10	25	nA
	Dropout (No Load), V_{OUT} Setting = 3.3V			130	220	nA
	Shutdown (EN = 0): LQFN			45	70	nA
	WLCSP			45	100	nA
	Active, Not Sleeping ($I_{SW} = 0$) (Note 4)			220	320	μA
V_{IN} Peak Current	Active Switching			I_{PEAK}		
V_{OUT} Quiescent Current	Sleeping (in Regulation), V_{OUT} Settings < 2.4V			25	45	nA
	Sleeping (in Regulation), V_{OUT} Settings \geq 2.4V			90	150	nA
Regulated Output Voltage (V_{OUT})	1.2V Output Setting: Sleep Threshold	●	1.164	1.204	1.236	V
		●		Wake-Up Threshold		1.196
	1.5V Output Setting: Sleep Threshold	●	1.455	1.505	1.545	V
		●		Wake-Up Threshold		1.495
	1.6V Output Setting: Sleep Threshold	●	1.552	1.605	1.648	V
		●		Wake-Up Threshold		1.595
	1.8V Output Setting: Sleep Threshold	●	1.746	1.806	1.854	V
		●		Wake-Up Threshold		1.794
	2.0V Output Setting: Sleep Threshold	●	1.940	2.007	2.060	V
		●		Wake-Up Threshold		1.993
	2.4V Output Setting: Sleep Threshold	●	2.328	2.408	2.472	V
		●		Wake-Up Threshold		2.392
	2.5V Output Setting: Sleep Threshold	●	2.425	2.508	2.575	V
		●		Wake-Up Threshold		2.492
	2.8V Output Setting: Sleep Threshold	●	2.716	2.809	2.884	V
		●		Wake-Up Threshold		2.791
3.0V Output Setting: Sleep Threshold	●	2.910	3.010	3.090	V	
	●		Wake-Up Threshold		2.990	V
3.2V Output Setting: Sleep Threshold	●	3.104	3.211	3.296	V	
	●		Wake-Up Threshold		3.189	V
3.3V Output Setting: Sleep Threshold	●	3.201	3.311	3.399	V	
	●		Wake-Up Threshold		3.289	V
3.6V Output Setting: Sleep Threshold	●	3.492	3.612	3.708	V	
	●		Wake-Up Threshold		3.588	V
3.7V Output Setting: Sleep Threshold	●	3.589	3.712	3.811	V	
	●		Wake-Up Threshold		3.688	V
4.1V Output Setting: Sleep Threshold	●	3.977	4.114	4.223	V	
	●		Wake-Up Threshold		4.086	V
4.2V Output Setting: Sleep Threshold	●	4.074	4.214	4.326	V	
	●		Wake-Up Threshold		4.186	V
5.0V Output Setting: Sleep Threshold	●	4.850	5.017	5.150	V	
	●		Wake-Up Threshold		4.983	V
Power Good Threshold as Percentage of Output Setting	V_{OUT} Falling (Note 5)	●	90	92.5	95	%
PGOOD Output Low Voltage	10 μA Into Pin	●			0.2	V
PGOOD Output High Voltage	10 μA Out of Pin	●	$V_{OUT} - 0.2$			V

ELECTRICAL CHARACTERISTICS

The ● denotes the specifications which apply over the specified operating junction temperature range, otherwise specifications are at $T_A = 25^\circ\text{C}$ (Note 2). $V_{IN} = 7.2\text{V}$ unless otherwise noted.

PARAMETER	CONDITIONS	MIN	TYP	MAX	UNITS
V_{OUT} Pull-Down Resistor in Shutdown	EN = 0V		10		k Ω
V_{OUT} Pull-Down Resistor in V_{OUT} Overvoltage Condition			1		M Ω
V_{OUT} Overvoltage Detection Threshold as Percentage of Output Setting			5		%
I_{PEAK} (Inductor Peak Current)	10mA I_{PEAK} Setting, I_{SW} Rising	8.7	10	13	mA
	30mA I_{PEAK} Setting, I_{SW} Rising	26	30	39	mA
	100mA I_{PEAK} Setting, I_{SW} Rising	87	100	130	mA
	300mA I_{PEAK} Setting, I_{SW} Rising	260	300	390	mA
I_{VALLEY} (Inductor Valley Current)	10mA I_{PEAK} Setting, I_{SW} Falling		9		mA
	30mA I_{PEAK} Setting, I_{SW} Falling		27		mA
	100mA I_{PEAK} Setting, I_{SW} Falling		90		mA
	300mA I_{PEAK} Setting, I_{SW} Falling		270		mA
Deliverable Output Current	10mA I_{PEAK} Setting	● 8.3			mA
	30mA I_{PEAK} Setting	● 25			mA
	100mA I_{PEAK} Setting	● 83			mA
	300mA I_{PEAK} Setting	● 250			mA
I_{ZERO}	Inductor Current Going into Sleep, as a Percentage of I_{PEAK}		17		%
P-Channel MOSFET Switch On-Resistance	10mA I_{PEAK} Setting		16		Ω
	30mA I_{PEAK} Setting		5.3		Ω
	100mA I_{PEAK} Setting		1.6		Ω
	300mA I_{PEAK} Setting		0.53		Ω
N-Channel MOSFET Switch On-Resistance	10mA I_{PEAK} Setting, 5V V_{OUT} Setting		9.6		Ω
	30mA I_{PEAK} Setting, 5V V_{OUT} Setting		3.2		Ω
	100mA I_{PEAK} Setting, 5V V_{OUT} Setting		0.96		Ω
	300mA I_{PEAK} Setting, 5V V_{OUT} Setting		0.32		Ω
P-Channel MOSFET Switch Leakage			0	15	nA
N-Channel MOSFET Switch Leakage			0	15	nA
INTV _{CC} Voltage	V_{OUT} Settings < 2.4V, $0 \leq I_{(INTVCC)} \leq 10\mu\text{A}$	1.9	2	2.2	V
	V_{OUT} Settings $\geq 2.4\text{V}$, $0 \leq I_{(INTVCC)} \leq 10\mu\text{A}$		V_{OUT}		V
V_{UVLO} Undervoltage Lockout	V_{IN} Rising		1.95	2.2	V
	V_{IN} Falling	1.5	1.75		V
V_{IH} Digital Input High Voltage	Pins EN, IPK[1:0]	INTV _{CC} – 0.15V			V
	Pins OUT[3:0]	$V_{OUT} - 0.15\text{V}$			V
V_{IL} Digital Input Low Voltage	Pins EN, IPK[1:0], OUT[3:0]			0.15	V

Note 1: Stresses beyond those listed under Absolute Maximum Ratings may cause permanent damage to the device. Exposure to any Absolute Maximum Rating condition for extended periods may affect device reliability and lifetime.

Note 2: The LTC3336 is specified over the -40°C to 125°C operating junction temperature range. High junction temperatures degrade operating lifetimes. Note the maximum ambient temperature consistent with these specifications is determined by specific operating conditions in conjunction with board layout, the rated package thermal impedance and other environmental factors.

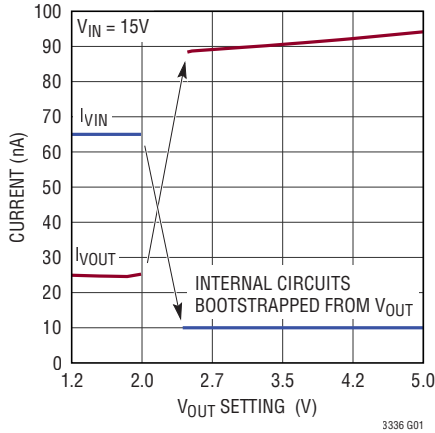
Note 3: T_J is calculated from the ambient T_A and power dissipation P_D according to the following formula: $T_J = T_A + (P_D \cdot \theta_{JA})$.

Note 4: Dynamic supply current is higher due to gate charge being delivered at the switching frequency.

Note 5: The falling threshold is specified as a percentage of the average of the measured sleep and wake-up thresholds for each selected output voltage and the rising threshold is equal to the sleep threshold.

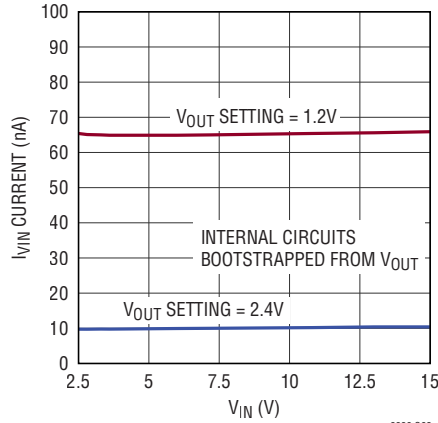
TYPICAL PERFORMANCE CHARACTERISTICS $T_A = 25^\circ\text{C}$, unless otherwise noted.

I_{VIN} and I_{VOUT} vs V_{OUT} Setting (Sleeping, In Regulation, No Load)



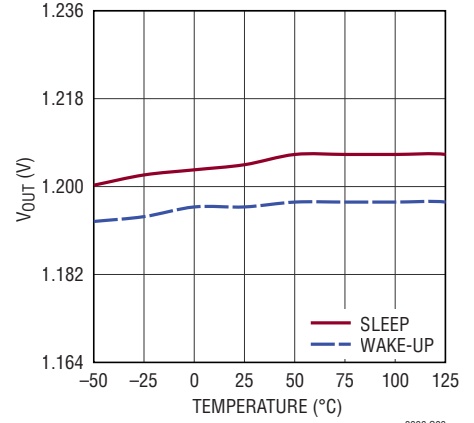
3336 G01

I_{VIN} vs V_{IN} (Sleeping, In Regulation, No Load)



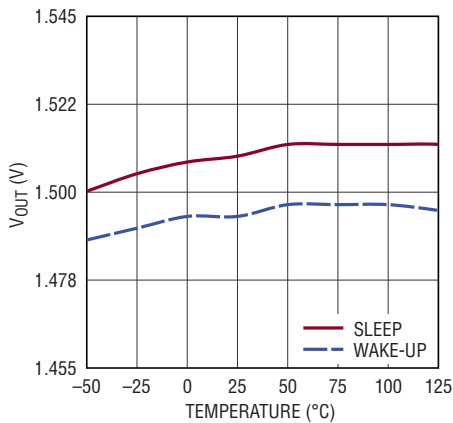
3336 G02

Sleep and Wake-Up Thresholds vs Temperature for 1.2V Setting



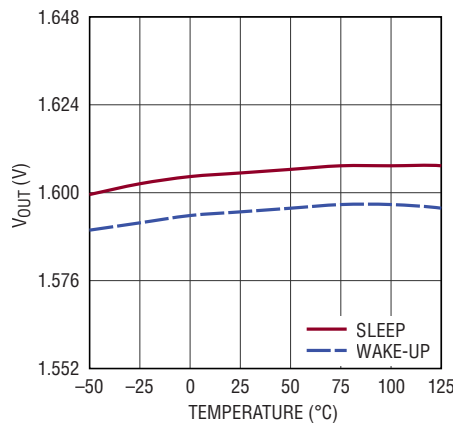
3336 G03

Sleep and Wake-Up Thresholds vs Temperature for 1.5V Setting



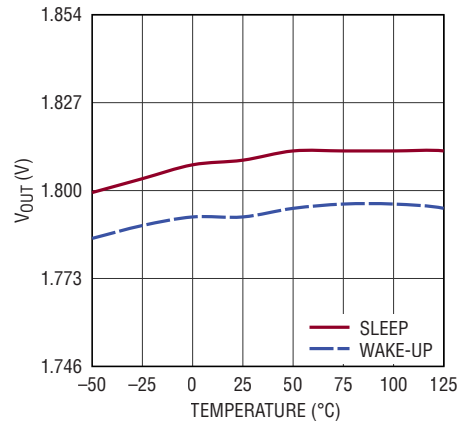
3336 G04

Sleep and Wake-Up Thresholds vs Temperature for 1.6V Setting



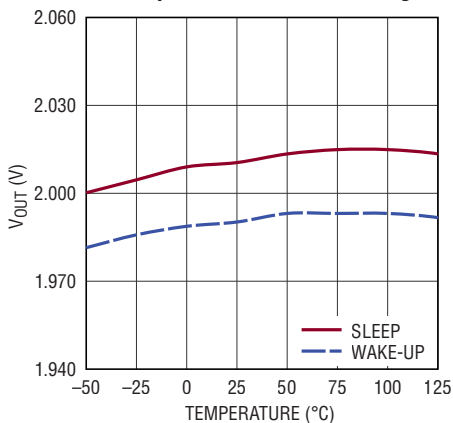
3336 G05

Sleep and Wake-Up Thresholds vs Temperature for 1.8V Setting



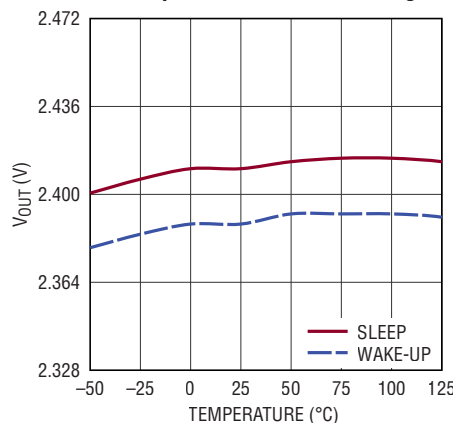
3336 G06

Sleep and Wake-Up Thresholds vs Temperature for 2.0V Setting



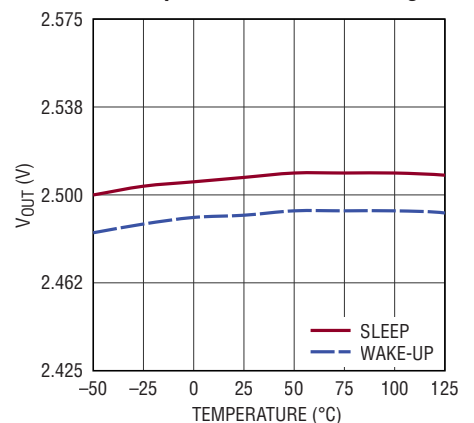
3336 G07

Sleep and Wake-Up Thresholds vs Temperature for 2.4V Setting



3336 G08

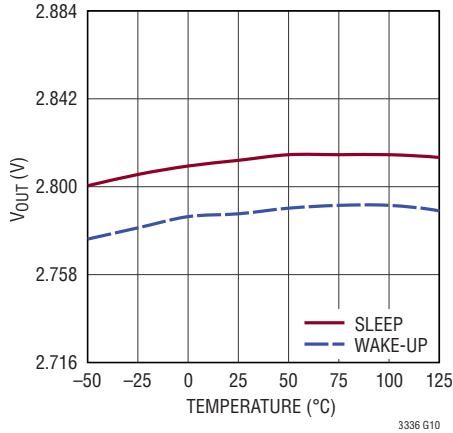
Sleep and Wake-Up Thresholds vs Temperature for 2.5V Setting



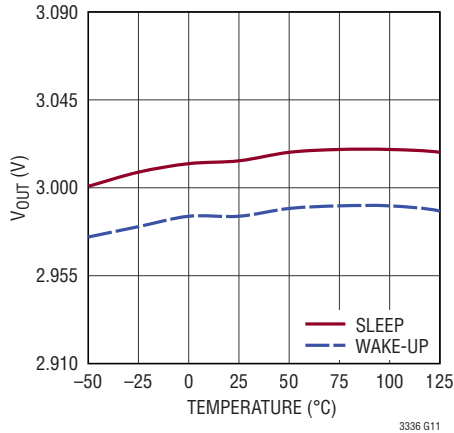
3336 G09

TYPICAL PERFORMANCE CHARACTERISTICS $T_A = 25^\circ\text{C}$, unless otherwise noted.

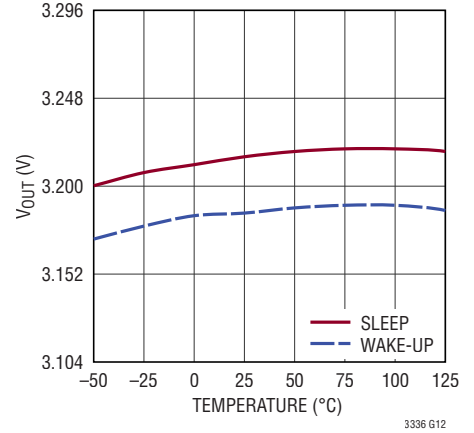
Sleep and Wake-Up Thresholds vs Temperature for 2.8V Setting



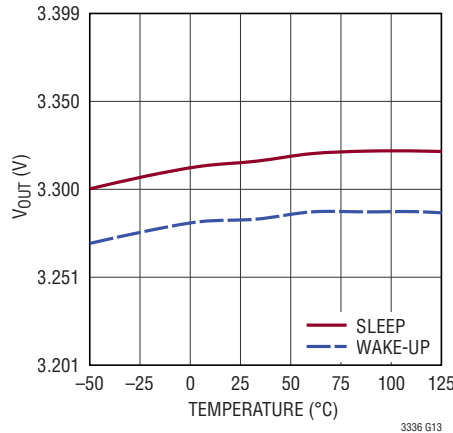
Sleep and Wake-Up Thresholds vs Temperature for 3.0V Setting



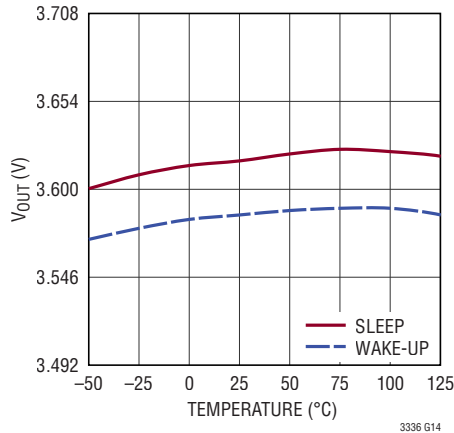
Sleep and Wake-Up Thresholds vs Temperature for 3.2V Setting



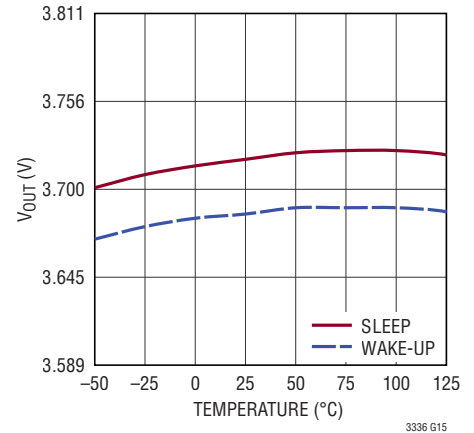
Sleep and Wake-Up Thresholds vs Temperature for 3.3V Setting



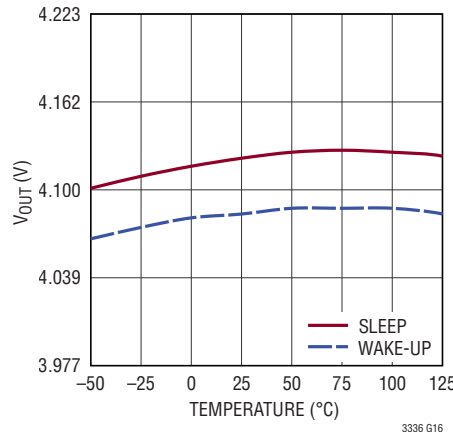
Sleep and Wake-Up Thresholds vs Temperature for 3.6V Setting



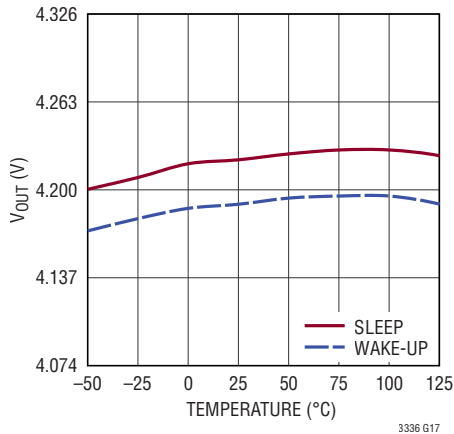
Sleep and Wake-Up Thresholds vs Temperature for 3.7V Setting



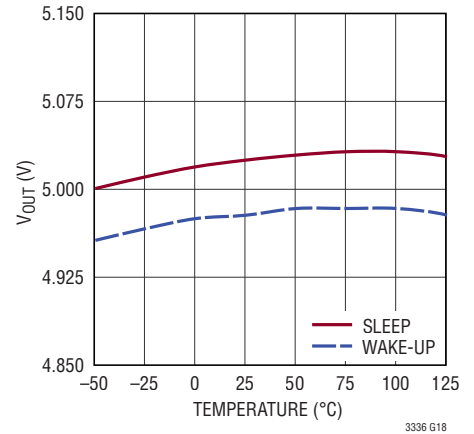
Sleep and Wake-Up Thresholds vs Temperature for 4.1V Setting



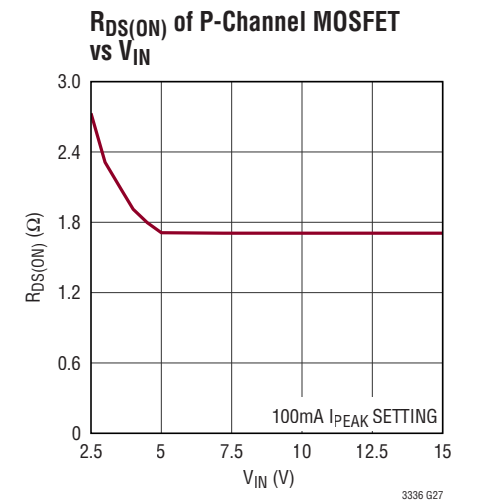
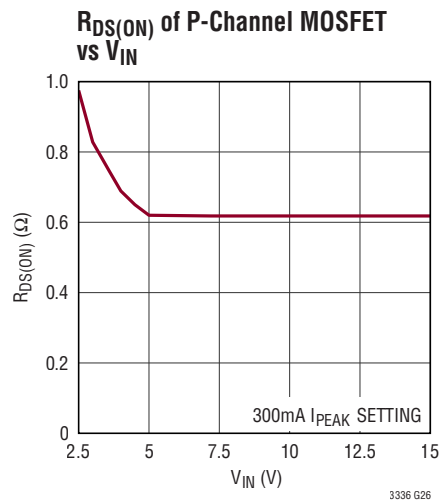
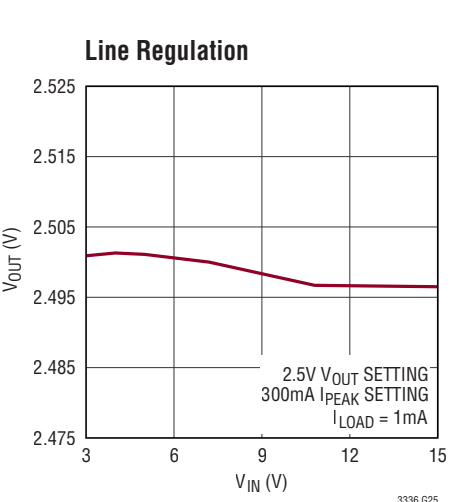
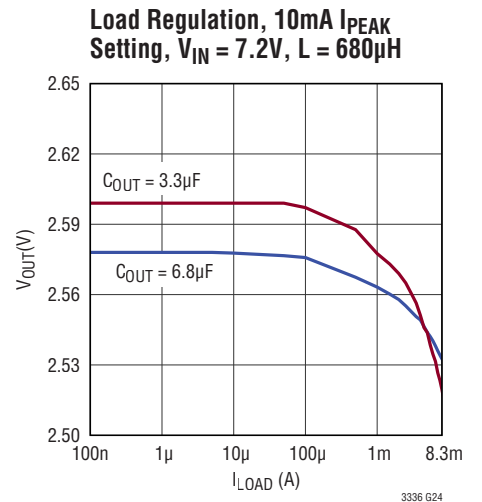
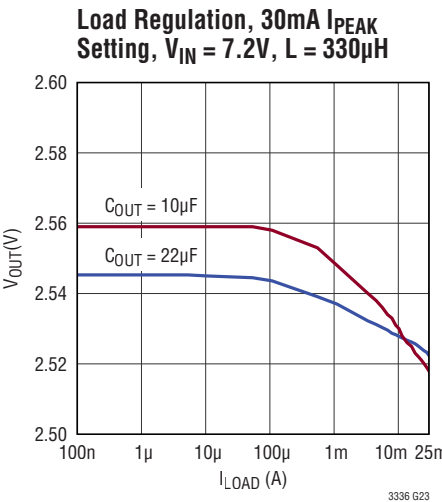
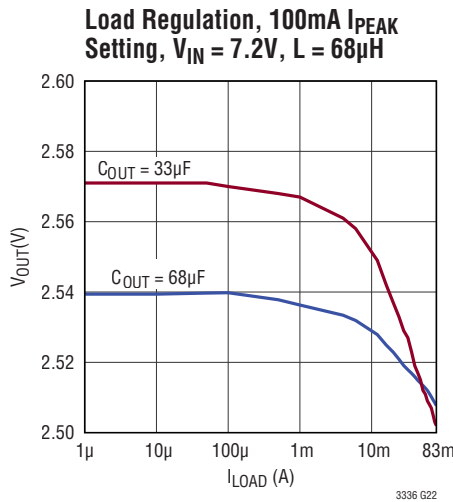
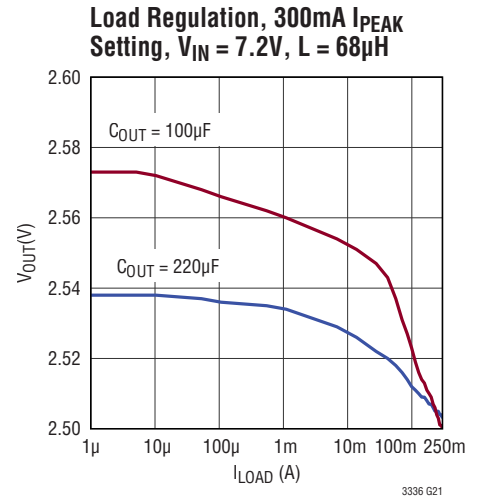
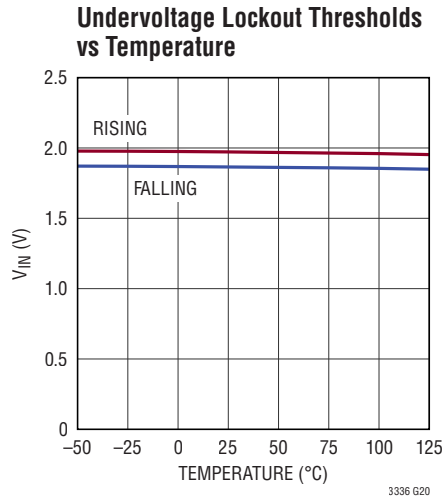
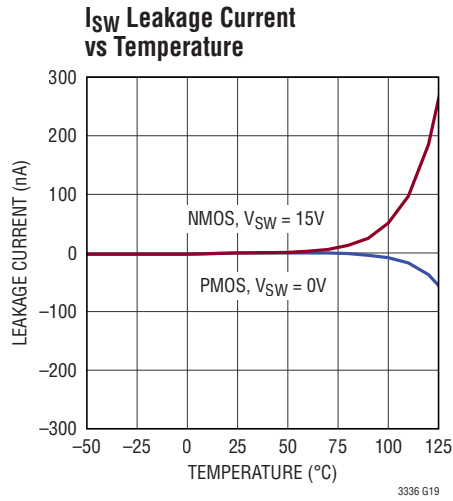
Sleep and Wake-Up Thresholds vs Temperature for 4.2V Setting



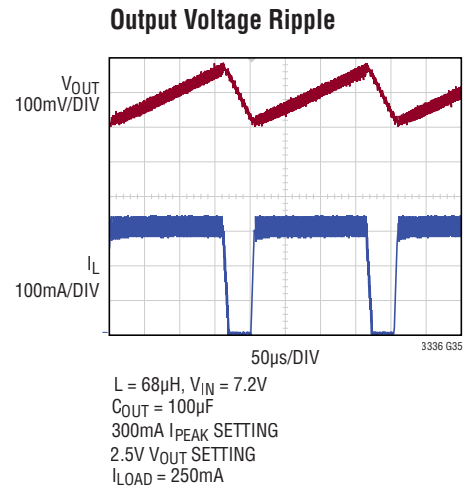
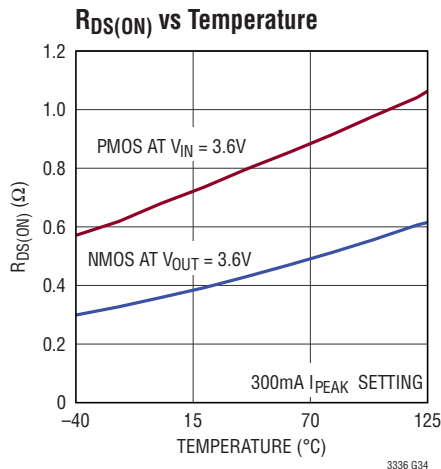
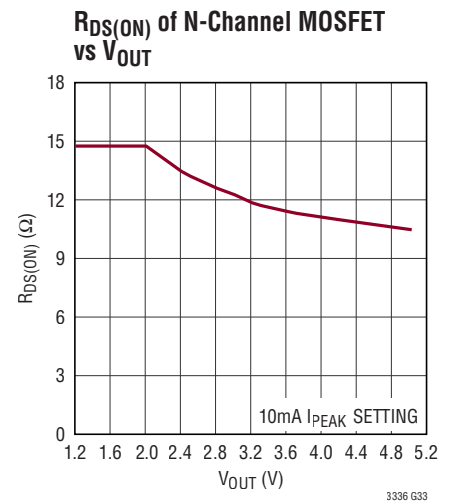
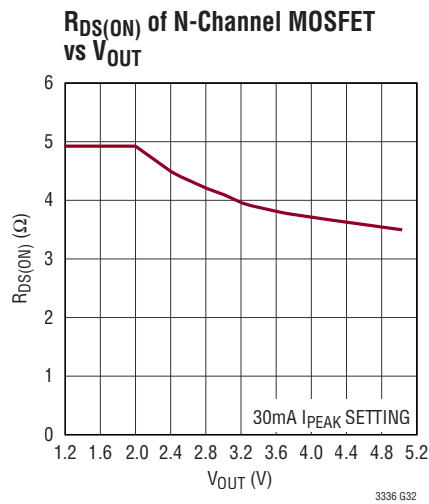
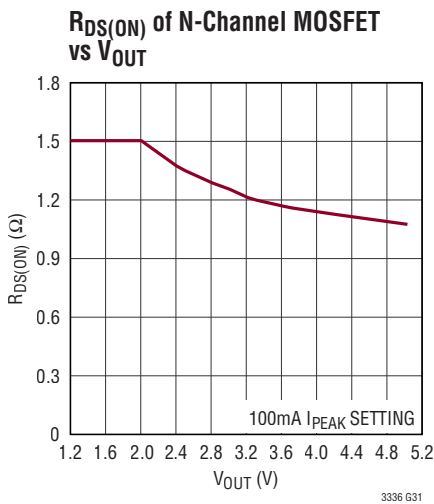
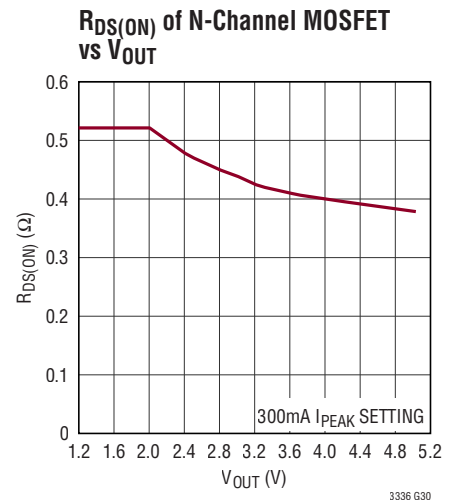
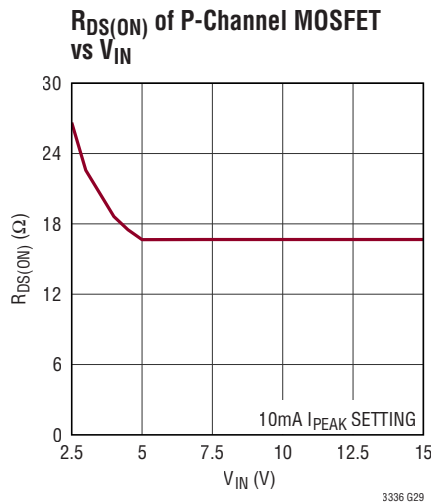
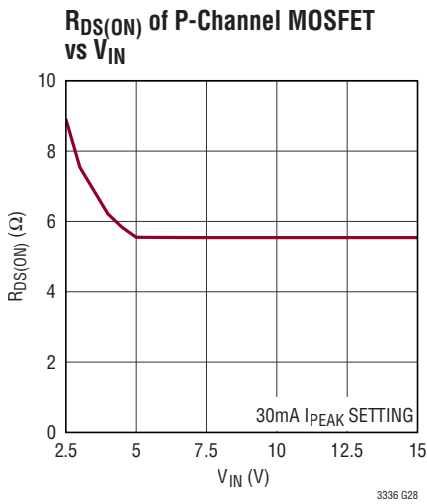
Sleep and Wake-Up Thresholds vs Temperature for 5.0V Setting



TYPICAL PERFORMANCE CHARACTERISTICS $T_A = 25^\circ\text{C}$, unless otherwise noted.

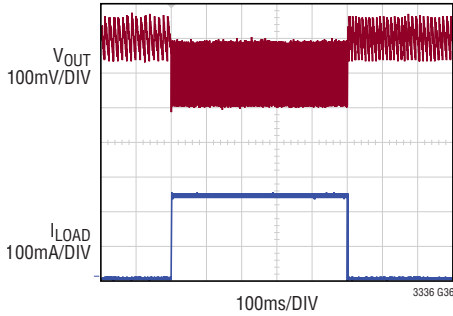


TYPICAL PERFORMANCE CHARACTERISTICS $T_A = 25^\circ\text{C}$, unless otherwise noted.



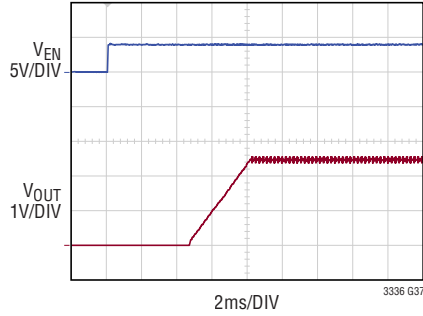
TYPICAL PERFORMANCE CHARACTERISTICS $T_A = 25^\circ\text{C}$, unless otherwise noted.

0A to 250mA Load Transient



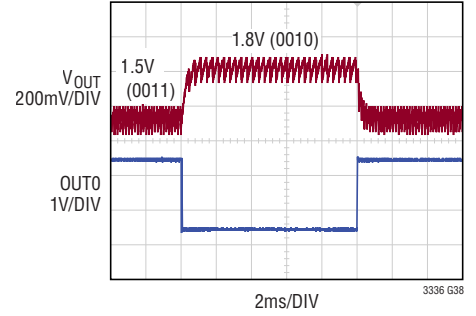
$L = 68\mu\text{H}$, $V_{IN} = 7.2\text{V}$
 $C_{OUT} = 100\mu\text{F}$
 300mA I_{PEAK} SETTING
 2.5V V_{OUT} SETTING

Power-Up Transient



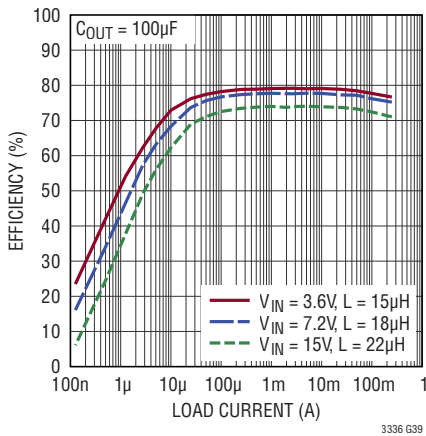
$L = 68\mu\text{H}$, $V_{IN} = 7.2\text{V}$
 $C_{OUT} = 100\mu\text{F}$
 300mA I_{PEAK} SETTING
 2.5V V_{OUT} SETTING
 $I_{LOAD} = 250\text{mA}$

Dynamic Output Voltage Change Between 1.5V and 1.8V



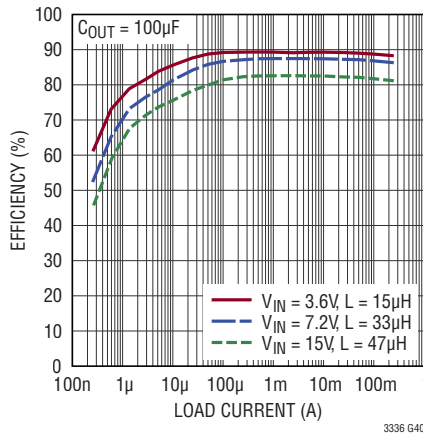
$L = 68\mu\text{H}$, $V_{IN} = 7.2\text{V}$
 $C_{OUT} = 100\mu\text{F}$
 300mA I_{PEAK} SETTING
 $I_{LOAD} = 250\text{mA}$

**Efficiency vs I_{LOAD} ,
 $V_{OUT} = 1.2\text{V}$, $I_{PEAK} = 300\text{mA}$**



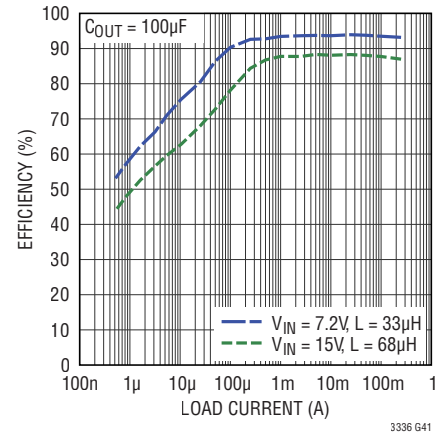
3336 G39

**Efficiency vs I_{LOAD} ,
 $V_{OUT} = 2.5\text{V}$, $I_{PEAK} = 300\text{mA}$**



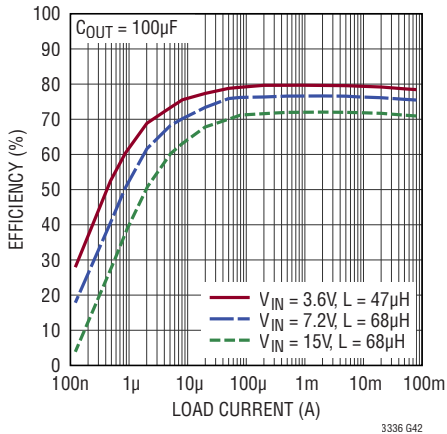
3336 G40

**Efficiency vs I_{LOAD} ,
 $V_{OUT} = 5\text{V}$, $I_{PEAK} = 300\text{mA}$**



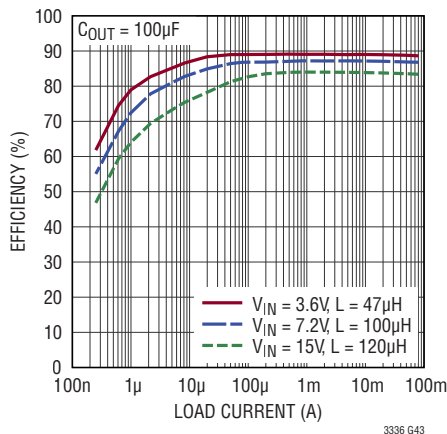
3336 G41

**Efficiency vs I_{LOAD} ,
 $V_{OUT} = 1.2\text{V}$, $I_{PEAK} = 100\text{mA}$**



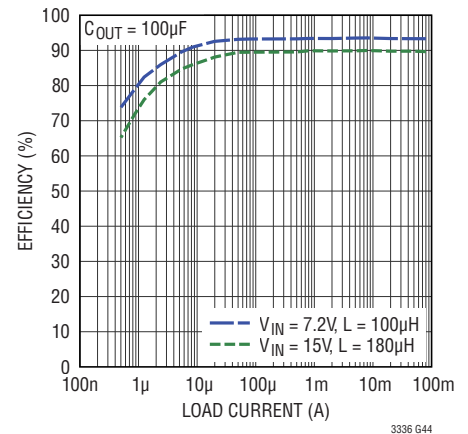
3336 G42

**Efficiency vs I_{LOAD} ,
 $V_{OUT} = 2.5\text{V}$, $I_{PEAK} = 100\text{mA}$**



3336 G43

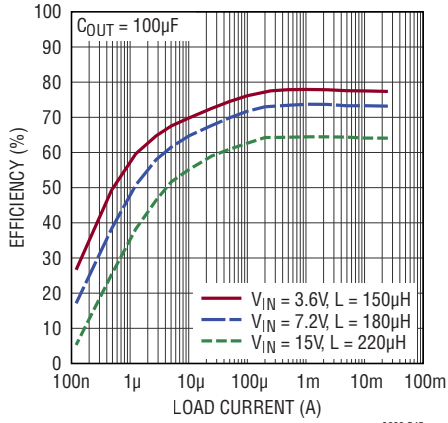
**Efficiency vs I_{LOAD} ,
 $V_{OUT} = 5\text{V}$, $I_{PEAK} = 100\text{mA}$**



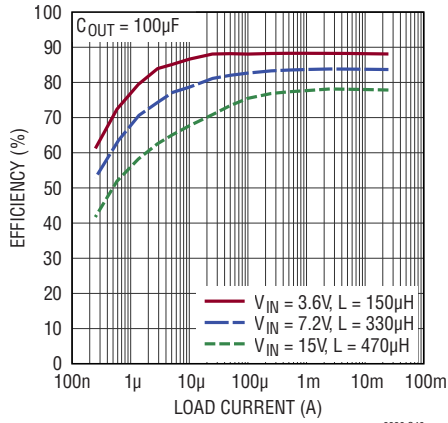
3336 G44

TYPICAL PERFORMANCE CHARACTERISTICS $T_A = 25^\circ\text{C}$, unless otherwise noted.

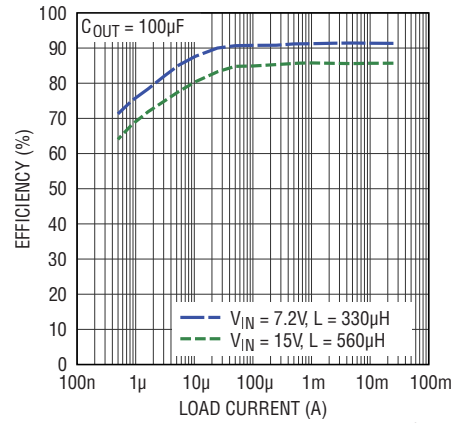
**Efficiency vs I_{LOAD} ,
 $V_{OUT} = 1.2\text{V}$, $I_{PEAK} = 30\text{mA}$**



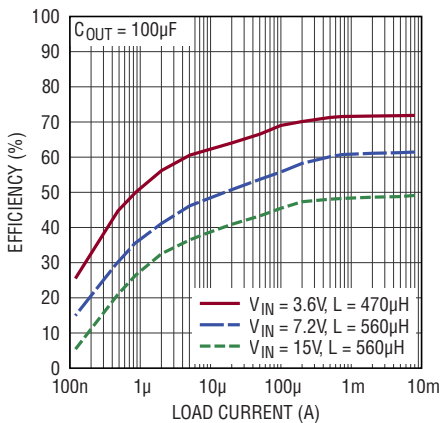
**Efficiency vs I_{LOAD} ,
 $V_{OUT} = 2.5\text{V}$, $I_{PEAK} = 30\text{mA}$**



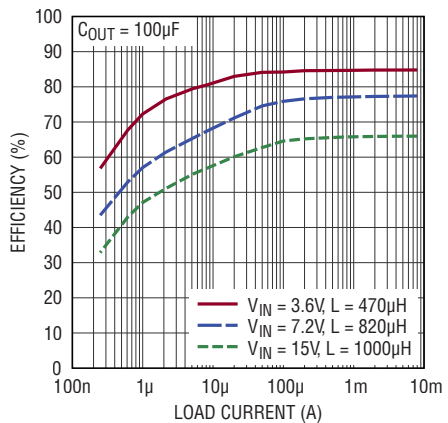
**Efficiency vs I_{LOAD} ,
 $V_{OUT} = 5\text{V}$, $I_{PEAK} = 30\text{mA}$**



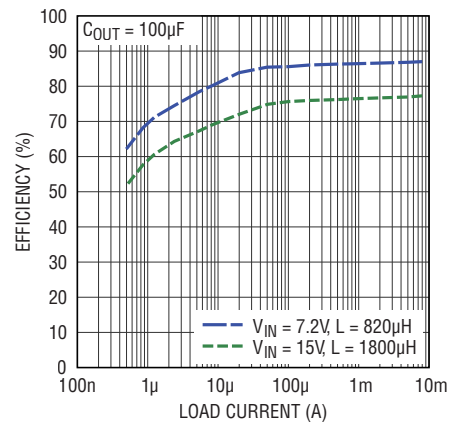
**Efficiency vs I_{LOAD} ,
 $V_{OUT} = 1.2\text{V}$, $I_{PEAK} = 10\text{mA}$**



**Efficiency vs I_{LOAD} ,
 $V_{OUT} = 2.5\text{V}$, $I_{PEAK} = 10\text{mA}$**



**Efficiency vs I_{LOAD} ,
 $V_{OUT} = 5\text{V}$, $I_{PEAK} = 10\text{mA}$**



PIN FUNCTIONS (LQFN/WLCSP)

V_{IN} (Pin 1/Pin B3): Input Voltage. Connect the battery input as close as possible to this pin along with an appropriately-sized bypass capacitor (see the Applications Information section).

EN (Pin 2/Pin A1): Buck Enable Input. Logic level input referenced to INTV_{CC}. A logic high on EN enables the buck converter. A logic low prevents the regulator from switching and discharges V_{OUT} with a 10k resistor to ground.

IPK1 (Pin 3, LQFN Only): Inductor Peak Current Select Bit (with IPK0). See IPK0. IPK1 is internally tied to GND in the WLCSP of LTC3336-1 and is internally tied to INTV_{CC} in the WLCSP of LTC3336-2.

IPK0 (Pin 4/Pin B2): Inductor Peak Current Select Bit (with IPK1). IPK0 should be tied to INTV_{CC} to select 1 or to GND to select 0 to program the desired I_{PEAK} (see Table 1 in the Operation section).

INTV_{CC} (Pin 5/Pin B1): V_{CC} Supply for Internal Circuits. Voltage output used as the logic high reference for input pins EN and IPK[1:0]. The allowed DC load current at INTV_{CC} is limited to 10 μ A. The LQFN package has a bypass capacitor integrated inside. For the WLCSP an external bypass capacitor of at least 100nF must be connected between INTV_{CC} and GND.

PGOOD (Pin 6/Pin C1): Buck Power Good Output. The PGOOD pin is high (referenced to V_{OUT}) when the buck regulator output V_{OUT} is in regulation. PGOOD is low when EN is low.

OUT3 (Pin 7/Pin D1): Output Voltage Select Bit (with OUT2, OUT1 and OUT0). Tie this pin to INTV_{CC} or V_{OUT} (for logic 1) or to GND (for logic 0) to statically program V_{OUT} (see Table 2 in the Operation section). For dynamically changing V_{OUT}, refer to the Applications Information section for alternate hookups.

OUT2 (Pin 8/Pin D2): Output Voltage Select Bit (with OUT3, OUT1 and OUT0). See OUT3.

OUT1 (Pin 9/Pin D3): Output Voltage Select Bit (with OUT3, OUT2 and OUT0). See OUT3.

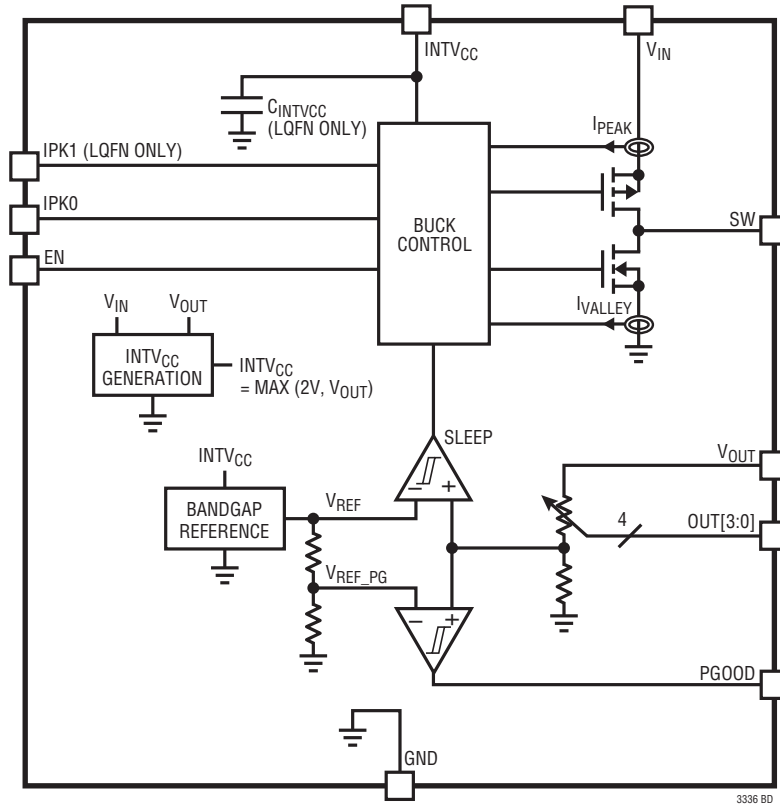
OUT0 (Pin 10/Pin C2): Output Voltage Select Bit (with OUT3, OUT2 and OUT1). See OUT3.

V_{OUT} (Pin 11/Pin C3): Output Voltage Sense Input. The voltage level V_{OUT} is also used as the logic high reference for input pins OUT[3:0] and output pin PGOOD.

SW (Pin 12/Pin A3): Switch Pin of the Buck Regulator. An inductor should be connected from SW to V_{OUT}. The inductor value is dependent on the actual I_{PEAK} setting. See Table 4 in the Applications Information section.

GND (Exposed Pad Pin 13/Pin A2): Ground. This pin must be soldered to the PCB. This pin provides both electrical and with the LQFN also thermal-connection to the printed circuit board.

BLOCK DIAGRAM



OPERATION

Buck DC/DC Regulator

The buck regulator uses hysteretic voltage control to regulate the output through internal feedback from the V_{OUT} sense pin. The output voltage can be programmed to one of sixteen different fixed values. In dropout, the P-channel MOSFET is turned on 100%.

The buck converter charges an output capacitor through an inductor to a value slightly higher than the regulation point. It does this by ramping the inductor current up to the peak current threshold I_{PEAK} (see Table 1) through an internal P-channel MOSFET switch and then ramping it down to the valley current threshold I_{VALLEY} through an internal N-channel MOSFET switch. See waveform in Figure 1. This efficiently delivers energy to the output capacitor. The ramp rates are determined by V_{IN} , V_{OUT} , and the inductor value.

Table 1. I_{PEAK} Selection

	IPK1	IPK0	I_{PEAK}
LTC3336	0	0	10mA
	0	1	30mA
	1	0	100mA
	1	1	300mA
LTC3336-1	Bumpless	0	10mA
		1	30mA
LTC3336-2		0	100mA
		1	300mA

After the buck brings the output voltage into regulation, the converter enters a low quiescent current sleep state that monitors the output voltage with a sleep comparator. The inductor current is ramped down to zero current in a controlled manner before entering SLEEP.

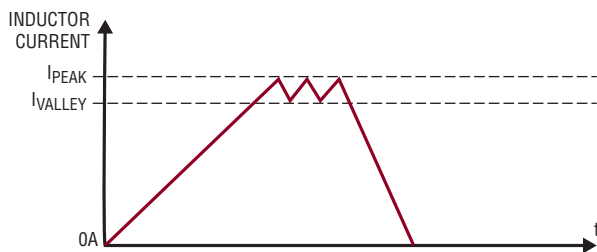


Figure 1.

During SLEEP, load current is provided by the buck output capacitor. When the output voltage falls below the regulation point, the buck regulator wakes up and the cycle repeats. This hysteretic method of providing a regulated output reduces losses associated with MOSFET switching and maintains an output in regulation at light loads.

When the sleep comparator signals that the output has reached the sleep threshold, the buck converter may be in the middle of a cycle with current still flowing through the inductor. Normally both synchronous switches would turn off and the current in the inductor would freewheel to zero through the N-channel MOSFET body diode. The LTC3336 keeps the N-channel MOSFET switched on during this time to prevent the conduction loss that would occur in the diode if the N-channel MOSFET were off. If the P-channel MOSFET is on when the sleep comparator trips, the P-channel immediately turns off and the N-channel MOSFET turns on.

Though the quiescent current when the buck is switching is much greater than the sleep quiescent current, it is still a small percentage of the average inductor current which results in high efficiency over most load conditions.

The buck operates only when the output voltage discharges below the sleep falling threshold. Thus, the buck operating quiescent current is averaged with the low sleep quiescent current. This allows the converter to remain very efficient at loads of 10 μ A and lower.

Sixteen selectable voltages are available by tying the output select bits (OUT3, OUT2, OUT1, OUT0) to $INTV_{CC}$ or V_{OUT} (for logic high) or to GND (for logic low). Table 2 shows the sixteen codes and their corresponding output voltages.

Operation with Buck Supplied from Output

For output voltage settings $\geq 2.4V$ the quiescent current of the buck regulator is taken from the regulated output V_{OUT} . This mode of operation significantly reduces the V_{IN} quiescent current by about a factor of V_{IN}/V_{OUT} .

OPERATION

Table 2. Buck Regulator Output Voltage Selection via OUT[3:0] Pins

V _{OUT} (V)	OUT3	OUT2	OUT1	OUT0
<u>1.2</u>	0	0	0	1
1.5	0	0	1	1
1.6	0	0	0	0
<u>1.8</u>	0	0	1	0
2.0	0	1	1	0
2.4	0	1	0	1
<u>2.5</u>	0	1	0	0
2.8	0	1	1	1
<u>3.0</u>	1	0	0	0
3.2	1	1	0	0
3.3	1	0	0	1
3.6	1	0	1	0
3.7	1	0	1	1
4.1	1	1	0	1
4.2	1	1	1	0
5.0	1	1	1	1

Note: Underlined voltage values of 1.2V, 1.8V, 2.5V, and 3V can be set as power-up defaults. These voltage values can be “pin-strapped” with a single pin tied high during start-up, while the other pins can be dynamically set after start-up.

Buck Regulator Dropout Operation

When the input supply voltage decreases towards the output voltage, the rate of change of inductor current during the upslope decreases, reducing the switching frequency of the current bursts. Further reduction in input supply voltage will eventually cause the P-channel MOSFET to be turned on 100%, i.e., DC. The output voltage will then be determined by the input voltage minus the voltage drop across the P-channel MOSFET and the inductor. The LTC3336 senses this state and enters a very low quiescent current state.

Buck Regulator Output Overvoltage Condition and Internal Clamp

An internal 1MΩ resistor pulls down V_{OUT} if V_{OUT} is higher than 5% above its regulation voltage. This should never happen in normal operation.

Buck Regulator Output Discharge

If EN is low, the buck regulator output is discharged through an internal 10k resistor.

APPLICATIONS INFORMATION

Input Capacitor Selection

The input V_{IN} should be bypassed with at least 0.1μF to GND. In cases where the input voltage is from a battery and the series resistance of the battery is high, a larger capacitor may be required to handle transients. A larger capacitor may also be necessary if the LTC3336 is supplied with an input voltage close to 2.5V (at higher I_{PEAK} settings) to prevent the input voltage from transiently falling below the undervoltage lockout threshold.

Output Capacitor Selection

The duration for which the regulator sleeps depends on the load current and the size of the output capacitor. The sleep time decreases as the load current increases and/or as the output capacitor decreases. The DC sleep hysteresis

window, Sleep Threshold – Wake-Up Threshold, is ±0.3% around the programmed output voltage. Ideally this means that the sleep time is determined by Equation 1.

$$t_{\text{SLEEP}} = C_{\text{OUT}} \cdot V_{\text{OUT}} \cdot 2 \cdot \left(\frac{0.3\%}{I_{\text{LOAD}}} \right) \quad (1)$$

As the output capacitor decreases to much lower values than described in Table 3, delays in the internal sleep comparator along with the load current may result in the V_{OUT} voltage slewing past the ±0.3% thresholds. This will lengthen the sleep time and increase V_{OUT} ripple.

If transient load currents above the I_{PEAK} setting are required, then a larger capacitor can be used at the output. This capacitor will be continuously discharged

APPLICATIONS INFORMATION

during this load condition. The capacitor can be sized using Equation 2 for an acceptable ripple $V_{OUT^+} - V_{OUT^-}$.

$$C_{OUT} = t_{LOAD} \cdot \left(\frac{I_{LOAD} - 0.95 \cdot I_{PEAK}}{V_{OUT^+} - V_{OUT^-}} \right) \quad (2)$$

In Equation 2, t_{LOAD} is the duration of the excessive transient load current, I_{PEAK} is the programmed I_{PEAK} setting and $V_{OUT^+} - V_{OUT^-}$ is the desired V_{OUT} ripple.

At zero or light load conditions V_{OUT} should not exceed the typical 5% overvoltage threshold. Otherwise, it loses some power in the 1M Ω overvoltage pull-down resistor.

A standard surface mount ceramic capacitor can be used for C_{OUT} . These capacitors can be obtained from manufacturers such as Vishay, Murata, TDK, and Taiyo Yuden.

Table 3. Minimum Required Buck Output Capacitor Size for a Sleep Time of 50 μ s at Max Load

V_{OUT} (V)	I_{PEAK} (mA)	C_{OUT} (μ F)
1.2	10	6.8
1.2	30	22
1.2	100	68
1.2	300	220
2.5	10	3.3
2.5	30	10
2.5	100	33
2.5	300	100
5.0	10	2.2
5.0	30	4.7
5.0	100	22
5.0	300	47

Inductor Selection

The buck is optimized to work with inductor values calculated with Equation 3 or larger. The calculated values represent a suitable trade-off between size and efficiency for typical applications. A larger inductor will benefit higher input voltage applications by reducing the switching frequency of the P-channel MOSFET switch, thereby improving efficiency by reducing gate charge loss. Choose an inductor with a saturation current rating, I_{SAT} , greater than the programmed I_{PEAK} setting. The DC Resistance

(DCR) of the inductor can have an impact on efficiency as it is a source of loss. Trade-offs between price, size, and DCR should be evaluated. Equation 3 can be used to calculate the minimum inductor value that works well with the LTC3336 depending on V_{IN} , V_{OUT} , I_{PEAK} and maximum switching frequency f . A good target for switching frequency is 2MHz.

Examples of inductor series to choose from: LPS4018 (0.56 μ H to 1000 μ H), MSS7348 (3.3 μ H to 1000 μ H), and MSS1210 (10 μ H to 10,000 μ H).

$$L = \frac{1}{f \cdot 10\% \cdot I_{PEAK} \cdot \left(\frac{1}{V_{IN} - V_{OUT}} + \frac{1}{V_{OUT}} \right)} \quad (3)$$

Explanation of symbols used in Equation 3 and how they are derived:

$$T = L \cdot \frac{\Delta I}{V_L}$$

$$T = \frac{1}{f}$$

$$\Delta I = I_{PEAK} - I_{VALLEY} = 10\% \cdot I_{PEAK}$$

V_L = Voltage Across Inductor

f = Switching Frequency

$$T = T_{ON} + T_{OFF}$$

$$T_{ON} = L \cdot \frac{\Delta I}{V_{IN} - V_{OUT}} \text{ duration of}$$

P-Channel MOSFET On

$$T_{OFF} = L \cdot \frac{\Delta I}{V_{OUT}} \text{ duration of}$$

P-Channel MOSFET Off

Dynamic Output Voltage Change

The selection bits OUT[3:0] can be driven from the outputs of a microcontroller and dynamically changed while the buck is running.

A start-up default voltage, $V_{DEFAULT}$, can be set with one (or more) pins tied high. Refer to Table 4 and the

APPLICATIONS INFORMATION

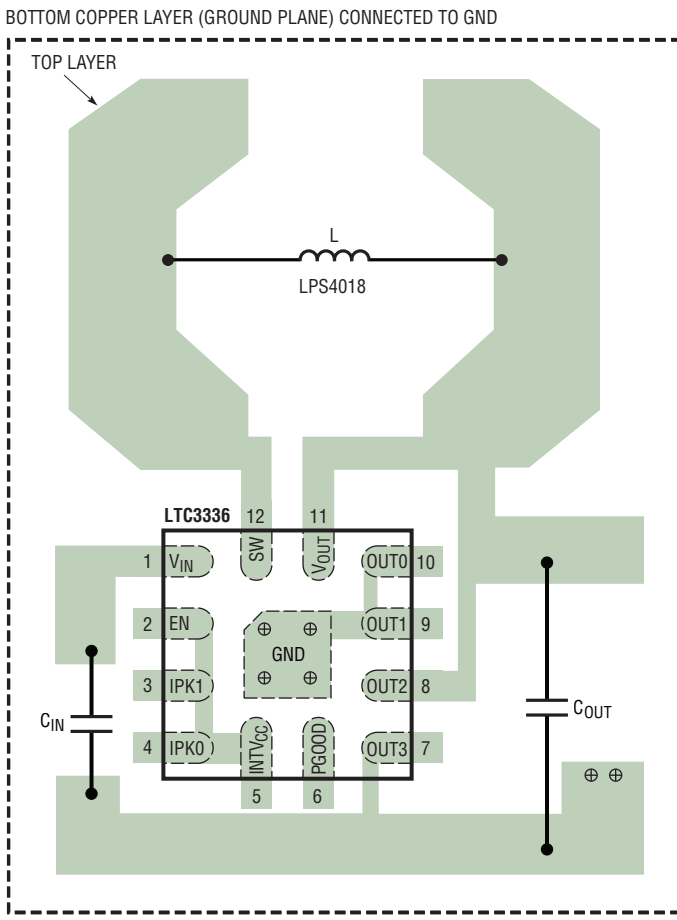
application: Microcontroller Supply with Dynamic Output Voltage Change in the Typical Applications section.

Table 4. Dynamic Operation Output Voltages with Single Pin Tied High

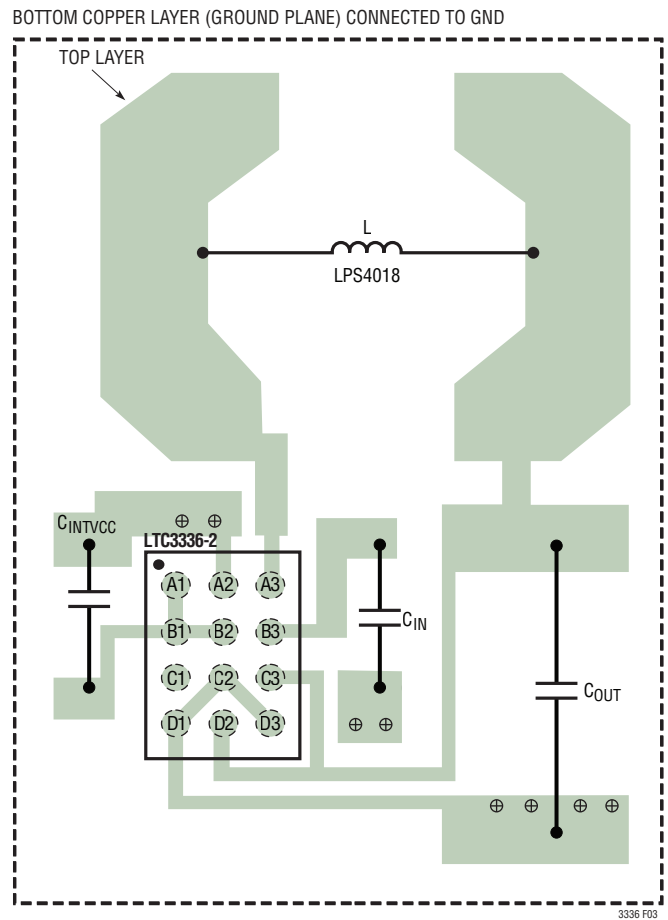
PIN TIED HIGH (DEFAULT)	V _{DEFAULT} (V)	DYNAMIC OUTPUT VOLTAGES AVAILABLE WITH SINGLE PIN TIED HIGH (V)
OUT0	1.2	1.2, 1.5, 2.4, 2.8, 3.3, 3.7, 4.1, 5.0
OUT1	1.8	1.5, 1.8, 2.0, 2.8, 3.6, 3.7, 4.2, 5.0
OUT2	2.5	2.0, 2.4, 2.5, 2.8, 3.2, 4.1, 4.2, 5.0
OUT3	3.0	3.0, 3.2, 3.3, 3.6, 3.7, 4.1, 4.2, 5.0

PCB Layout Considerations

The LTC3336 switches large currents (relative to the I_Q) at high frequencies. Special care should be given to the PCB layout to ensure stable, noise-free operation. Figure 2 and Figure 3 depict recommended PCB layout to be utilized for the LTC3336, in the QFN and WLCSP packages, respectively. A few key guidelines follow: All circulating high current paths should be kept as short as possible using wide traces. In particular, capacitor ground connections should connect by vias down to the ground plane in the shortest route possible. The bypass capacitors C_{IN} and C_{OUT} should be placed as close to the IC as possible.



SEE TYPICAL APPLICATION ON FRONT PAGE ⊗ VIAS TO GROUND PLANE COMPONENT SIZES:
C_{IN} = 0201
C_{OUT} = 1210



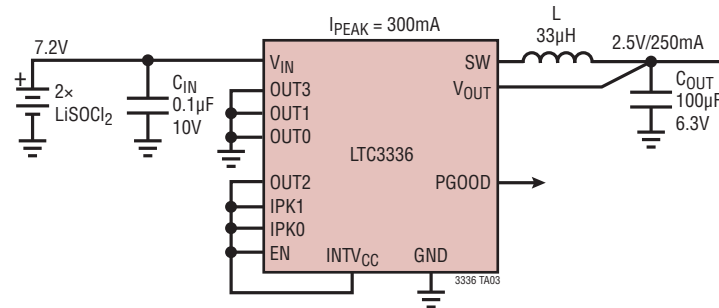
SEE TYPICAL APPLICATION ON FRONT PAGE ⊗ VIAS TO GROUND PLANE COMPONENT SIZES:
C_{IN} = 0201
C_{INTVCC} = 0201
C_{OUT} = 1210

Figure 2. Recommended Component Placement on PCB for the LTC3336 in LQFN Package

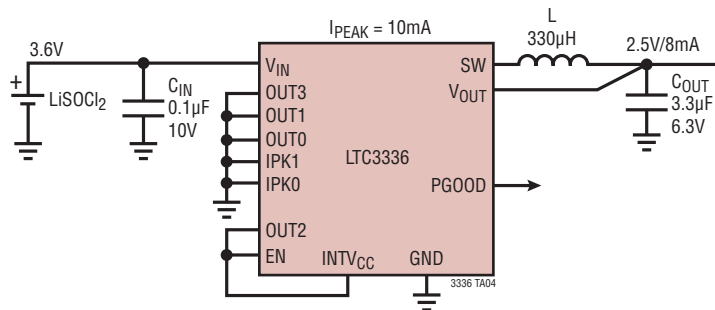
Figure 3. Recommended Component Placement on PCB for the LTC3336-1 or LTC3336-2 in WLCSP

TYPICAL APPLICATIONS

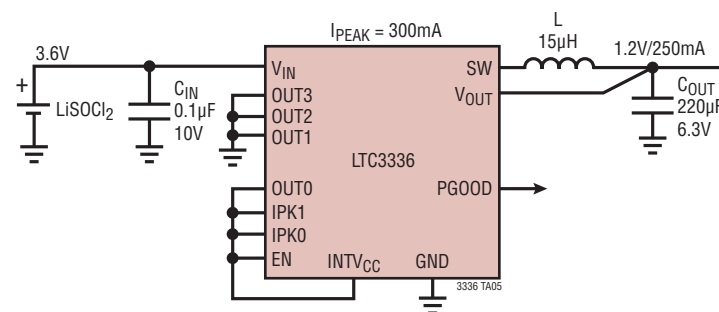
2.5V/250mA Buck Powered from 2× Lithium Thionyl Chloride Batteries*



2.5V/8mA Buck Powered from Lithium Thionyl Chloride Battery*



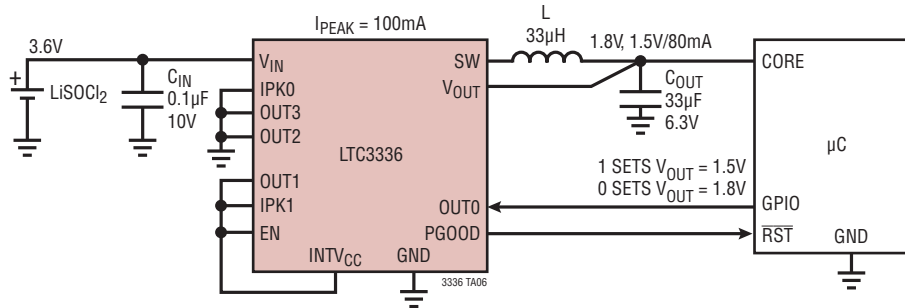
1.2V/250mA Buck Powered from Lithium Thionyl Chloride Battery*



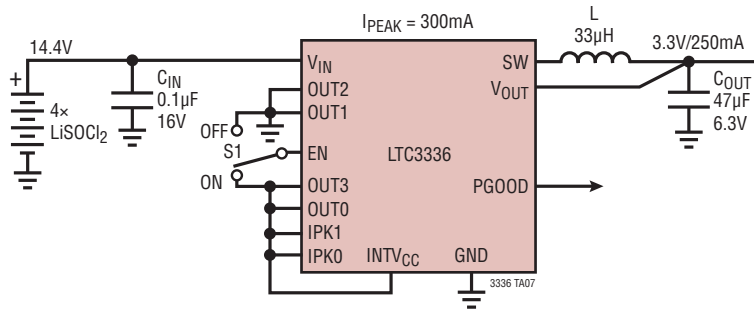
*Applications shown are for LQFN. For WLCSF the IPK1 connection is bumpless as it is connected internal to the part. In WLCSF applications, a 0.1µF, 6V capacitor must be added from INTV_{CC} to ground.

TYPICAL APPLICATIONS

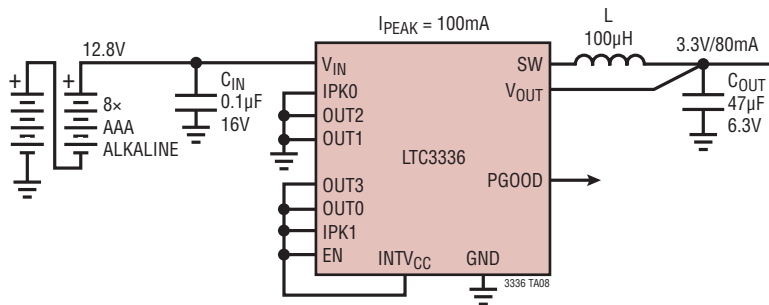
Microcontroller Supply with Dynamic Output Voltage Change 1.8V or 1.5V/80mA*



3.3V/250mA Buck Powered from 4× Lithium Thionyl Chloride Batteries*



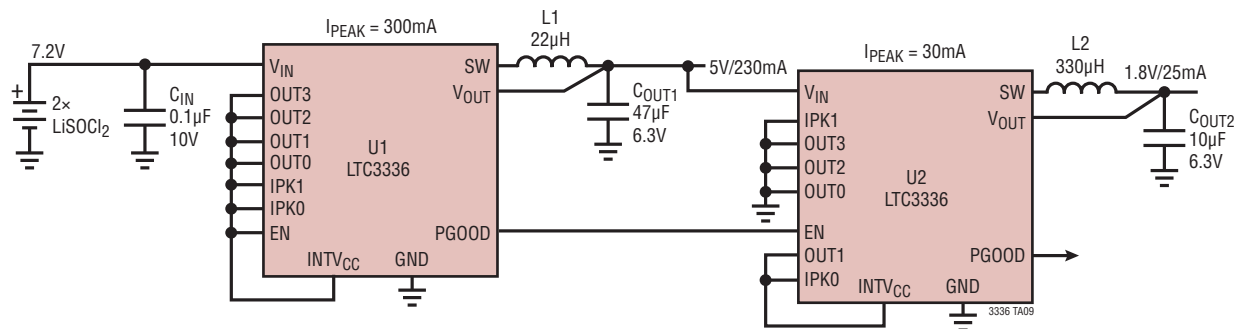
3.3V/80mA Buck Powered from 8× AAA Alkaline Primary Batteries*



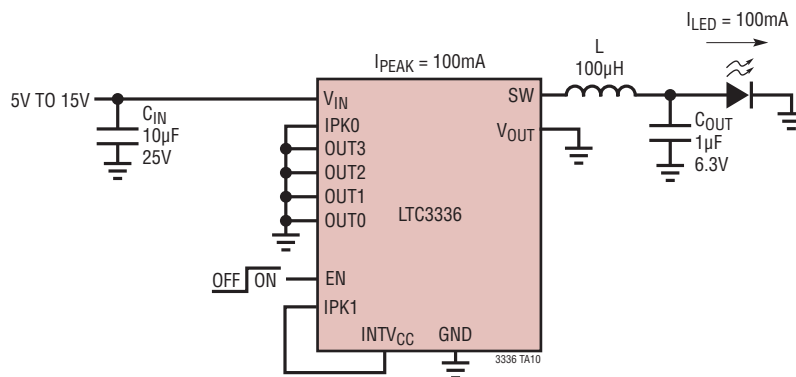
*Applications shown are for LQFN. For WLCSF, the IPK1 connection is bumpless as it is connected internal to the part. In WLCSF applications, a 0.1µF, 6V capacitor must be added from INTV_{CC} to ground.

TYPICAL APPLICATIONS

Sequenced Dual Supply 5V/230mA and 1.8V/25mA from 2× Lithium Thionyl Chloride Batteries*



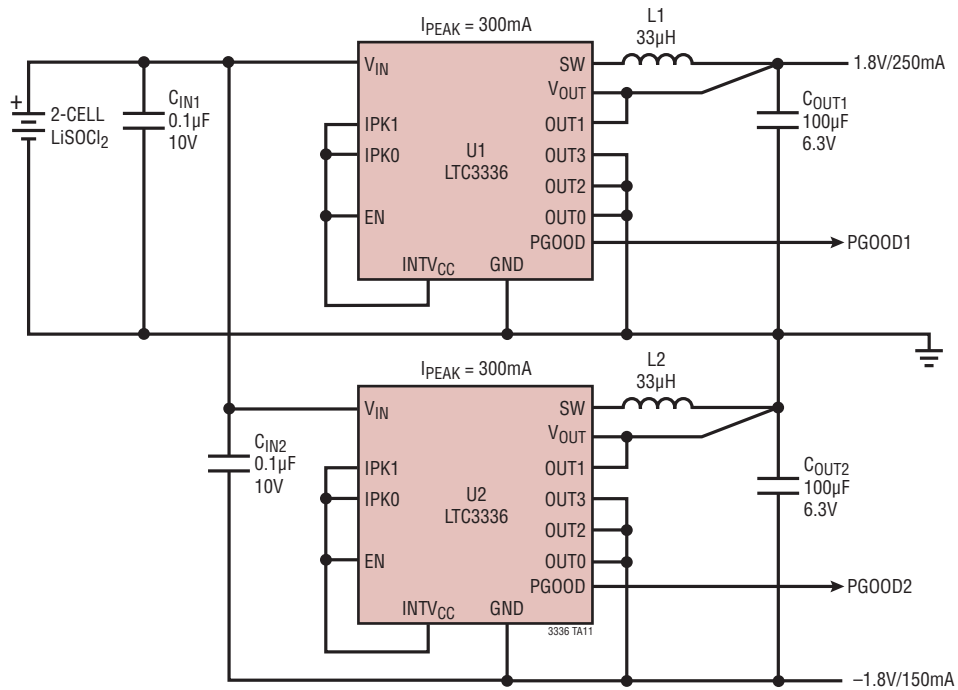
100mA Wide V_{IN} Range Super High Efficiency Current Source White LED Driver*



*Applications shown are for LQFN. For WLCSP, the IPK1 connection is bumpless as it is connected internal to the part. In WLCSP applications, a 0.1µF, 6V capacitor must be added from INTV_{CC} to ground.

TYPICAL APPLICATIONS

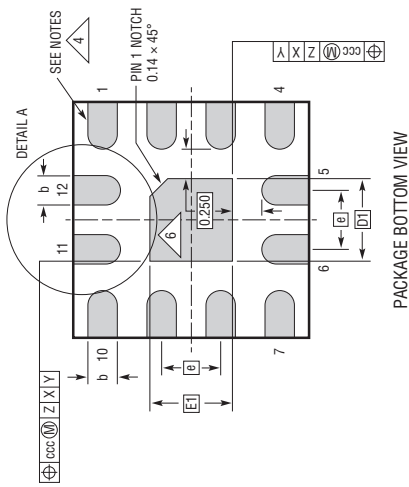
±1.8V from 2× Lithium Thionyl Chloride Batteries*



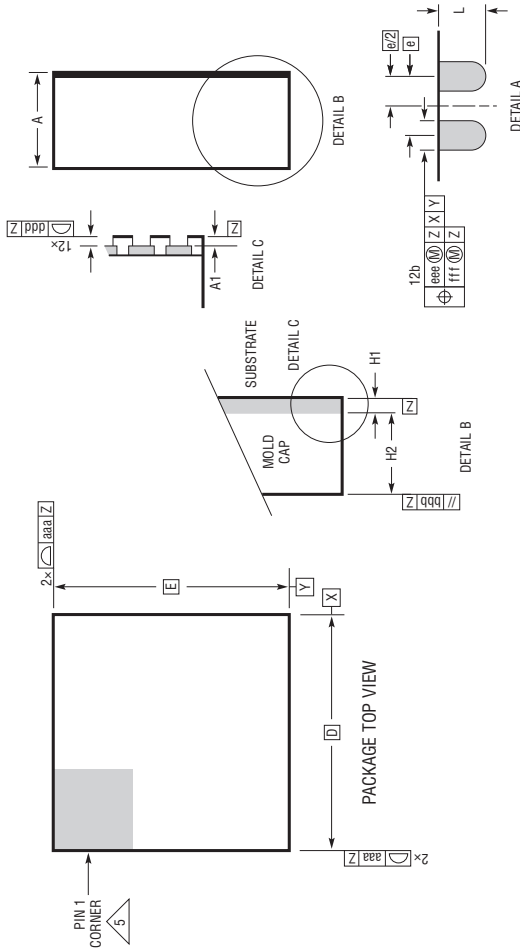
*Applications shown are for LQFN. For WLCSP, the IPK1 connection is bumpless as it is connected internal to the part. In WLCSP applications, a 0.1 μF , 6V capacitor must be added from $INTV_{CC}$ to ground.

PACKAGE DESCRIPTION

LQFN Package
12-Lead (2mm × 2mm × 0.74mm)
 (Reference LTC DWG # 05-08-1530 Rev C)

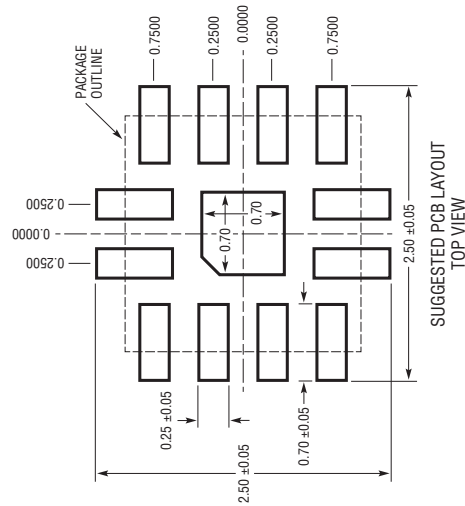


PACKAGE BOTTOM VIEW



PACKAGE TOP VIEW

DIMENSIONS				
SYMBOL	MIN	NOM	MAX	NOTES
A	0.65	0.74	0.83	
A1		0.40	0.03	
L	0.30	0.40	0.50	
b	0.22	0.25	0.28	
D		2.00		
E		2.00		
D1		0.70		
E1		0.70		
e		0.50		
H1		0.24 REF		SUBSTRATE THK
H2		0.50 REF		MOLD CAP HT
aaa			0.10	
bbb			0.10	
ccc			0.10	
ddd			0.10	
eee			0.15	
fff			0.08	



SUGGESTED PCB LAYOUT TOP VIEW

- NOTES:
1. DIMENSIONING AND TOLERANCING PER ASME Y14.5M-1994
 2. ALL DIMENSIONS ARE IN MILLIMETERS
 3. PRIMARY DATUM - Z - IS SEATING PLANE
 4. METAL FEATURES UNDER THE SOLDER MASK OPENING NOT SHOWN SO AS NOT TO OBSCURE THESE TERMINALS AND HEAT FEATURES
 5. DETAILS OF PIN 1 IDENTIFIER ARE OPTIONAL, BUT MUST BE LOCATED WITHIN THE ZONE INDICATED. THE PIN 1 IDENTIFIER MAY BE EITHER A MOLD OR MARKED FEATURE
 6. THE EXPOSED HEAT FEATURE MAY HAVE OPTIONAL CORNER RADII

LQFN 12 0721 REV C

PACKAGE DESCRIPTION

**12-Ball Wafer Level Chip Scale Package (WLCSP)
(CB-12-15)
Dimensions Shown in Millimeters**

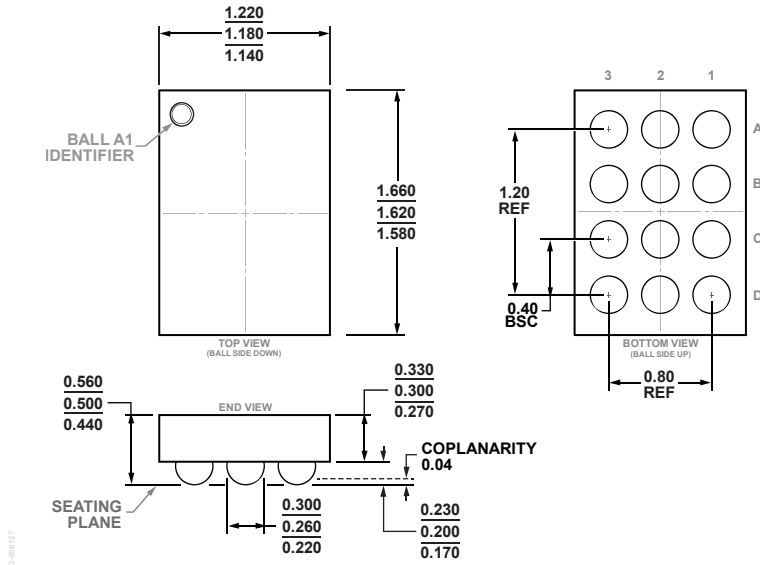


FIG. 091017

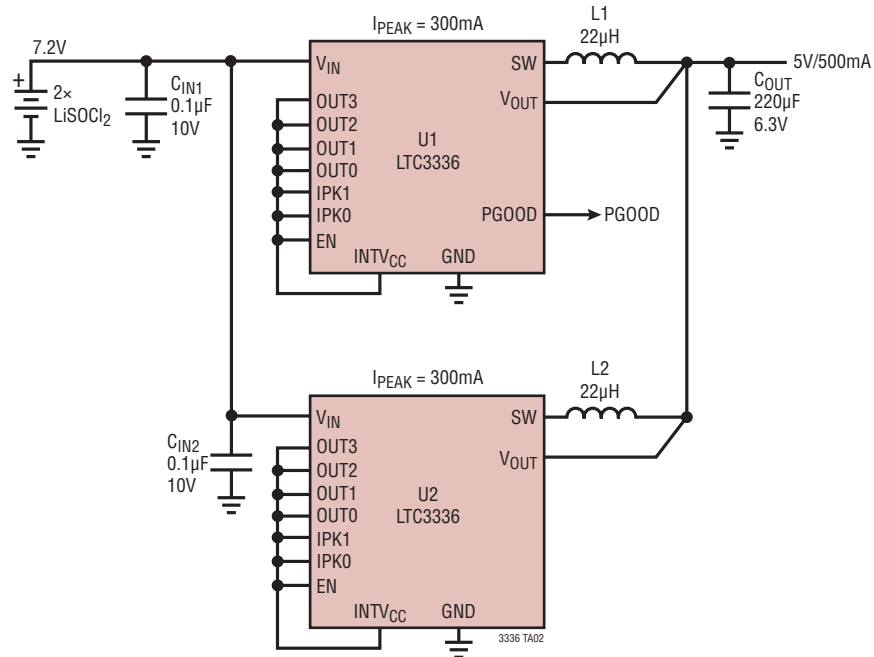
03-05-2018-A

REVISION HISTORY

REV	DATE	DESCRIPTION	PAGE NUMBER
A	11/22	Added WLCSP package and references.	1-24

TYPICAL APPLICATION

Paralleling Two LTC3336s for Higher Current
5V/500mA Buck Powered from 2× Lithium Thionyl Chloride Batteries, No Load $I_{IN} = 160nA^*$



*Applications shown are for LQFN. For WLCSF, the IPK1 connection is bumpless as it is connected internal to the part. In WLCSF applications, a 0.1µF, 6V capacitor must be added from INTV_{CC} to ground.

RELATED PARTS

PART NUMBER	DESCRIPTION	COMMENTS
LTC3330	Nanopower Buck-Boost DC/DC with Energy Harvesting Battery Life Extender	V_{IN} : 2.7V to 20V, BAT: 1.8V to 5.5V, 750nA I_Q , 5mm x 5mm QFN-32 Package
LTC3331	Nanopower Buck-Boost DC/DC with Energy Harvesting Battery Charger	V_{IN} : 2.7V to 20V, BAT Float: 3.45V/4V/4.1V/4.2V, 950nA I_Q , 5mm x 5mm QFN-32 Package
LTC3335	Nanopower Buck-Boost DC/DC with Integrated Coulomb Counter	V_{IN} : 1.8V to 5.5V, V_{OUT} : Fixed 1.8V to 5V, $I_Q = 680nA$, 3mm x 4mm QFN-20 Package
LTC3337	Primary Battery SOH Monitor with Precision Coulomb Counter	V_{IN} : 1.8V to 5.5V, I_{PEAK} : Fixed 5mA/10mA/15mA/20mA/25mA/50mA/75mA/100mA, I_{BAL} : ±10mA, $I_Q = 100nA$, 12-Lead 2mm x 2mm GQFN Package
LTC3388-1/ LTC3388-3	20V, 50mA High Efficiency Nanopower Step-Down Regulator	V_{IN} : 2.7V to 20V, V_{OUT} : Fixed 1.1V to 5.5V, $I_Q = 720nA$, MSOP-10, 3mm x 3mm DFN-10 Packages
LTC3588-1/ LTC3588-2	Nanopower Energy Harvesting Power Supply with Up to 100mA of Output Current	V_{IN} : 2.7V to 20V, V_{OUT} : Fixed 1.8V to 5V, $I_Q = 950nA$, MSOP-10, 3mm x 3mm DFN-10 Packages