

THE INFORMATION CONTAINED IN THIS DRAWING IS THE SOLE PROPERTY OF L-COM, INC. ANY REPRODUCTION IN PART OR WHOLE WITHOUT THE WRITTEN PERMISSION OF L-COM, INC. IS PROHIBITED.

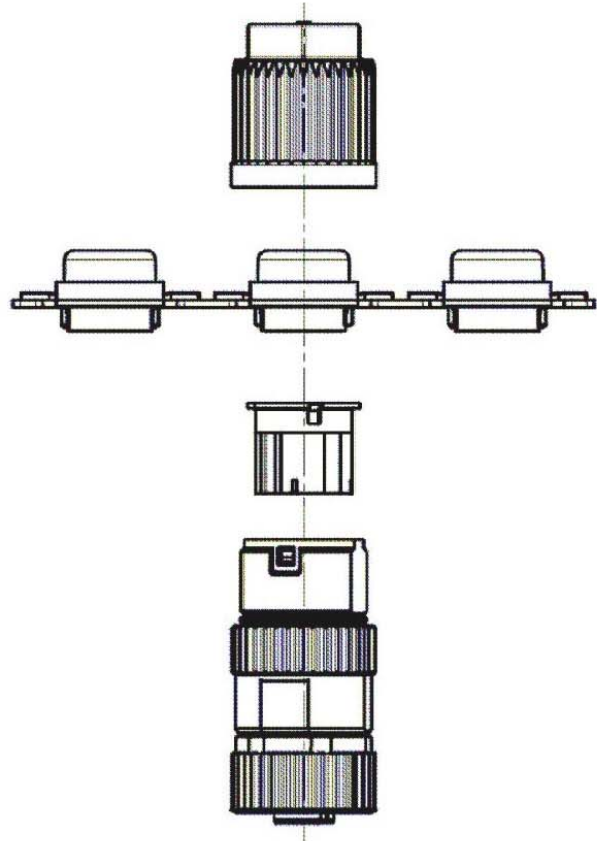
REVISIONS			
REV	DESCRIPTION	DATE	APPROVED
A	INITIAL RELEASE PER DUSTIN GUTTADAURO	04/04/2017	JLABOY
B	ECN 12066: ADDED MISC. NOTE 4	09/01/2022	GUTTADAURO

D

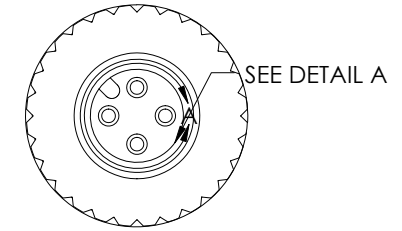
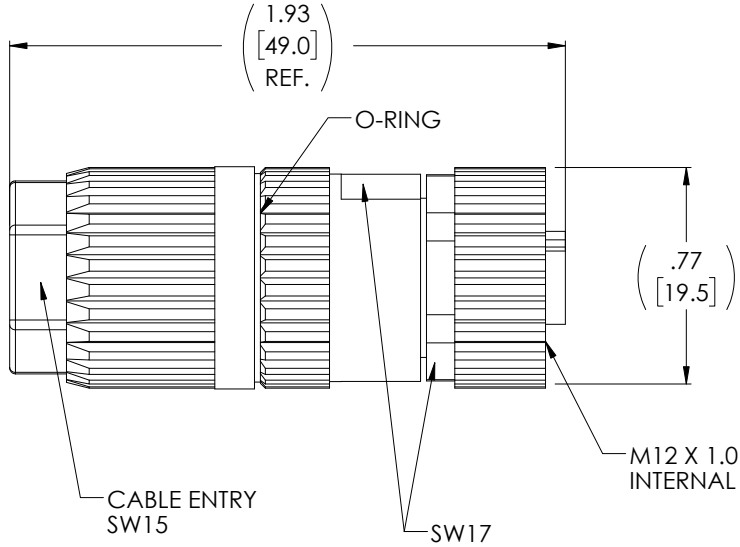
C

B

A

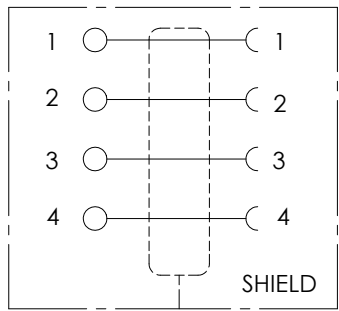


EXPLODED VIEW

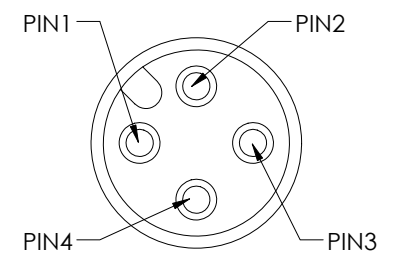


M12 SHIELDED FEMALE 4 POSITION A-CODED

WIRING DIAGRAM



SPlicing RING M12 FEMALE



DETAIL A
CONNECTOR PIN ASSIGNMENT (ACC. IEC 61076-2-101)

NOTES:

MECHANICAL DATA:

- HOUSING: M12 FEMALE, 4 POLE, A CODE, SHIELDED
- CABLE CONNECTION: IDC
- CONDUCTOR CROSS SECTION: 0.14 - 0.34 mm² (AWG 26 - 22)
- ISOLATION MATERIALS: PVC/PP
- WIRE DIAMETER: .047 [1.20MM] - .063 [1.6MM]
- CABLE OUTSIDE DIAMETER: .217 [5.5MM] - .283 [7.2MM]
- PROTECTION: P67 (WHEN MATED AND TIGHTENED (EN 60529))
- TEMP RANGE: -25 TO +85°C


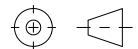
MISCELLANEOUS:

- NOMINAL VOLTAGE: MAX 50 V AC/DC
- RATED CURRENT: MAX 4A PER CONTACT
- SHIPS UNASSEMBLED
- A 5th CENTER PIN HOLE POSITION MAY APPEAR REGARDLESS OF THE NUMBER OF ACTUAL CONDUCTORS AND WILL NOT BE CONNECTED ELECTRICALLY BUT ALLOWS MATING WITH 5 POLE CABLES, IF NEEDED.

REGULATORY COMPLIANCE:

EU RoHS DIRECTIVE (MOST RECENT RELEASED VERSION)



UNLESS OTHERWISE SPECIFIED, DIMENSIONS ARE IN INCHES [mm] OVERALL CABLE LENGTH TOLERANCE: ≤12 [305] = +1 [25] / -0 >12 [305] ≤60 [1524] = +2 [51] / -0 >60 [1524] ≤120 [3048] = +4 [102] / -0 >120 [3048] ≤300 [7620] = +6 [152] / -0 >300 [7620] = +5% / -0 ALL OTHER DIMENSIONAL TOLERANCES: .X = ± .2 [5] FRACTIONS ± 1/32 .XX = ± .02 [.5] ANGLES ± 1° .XXX = ± .005 [.13]	APPROVALS	DATE	 50 High Street, West Mill, North Andover, MA 01845 USA. Phone: 1.800.341.5266 1.978.682.6936
	DRAWN BY DCUI	03/30/2017	
CONFIGURATION DETAILS OF UNDIMENSIONED FEATURES MAY VARY	CHECKED BY BZHANG	03/30/2017	CATEGORY TELECOM/MODULAR
	APPROVED BY SPAN	03/30/2017	PRODUCT DESCRIPTION M12 FEMALE 4 POL, A CODE, SHIELDED
THIRD-ANGLE PROJECTION 	COLOR VARIATIONS MAY OCCUR	SIZE A	CAGE CODE 43321
		ITEM NO. M12FT4AFS	REV. B
		SCALE: NONE	CAD FILE: M12FT4AFS.SLDDRW
		SHEET 1 OF 1	