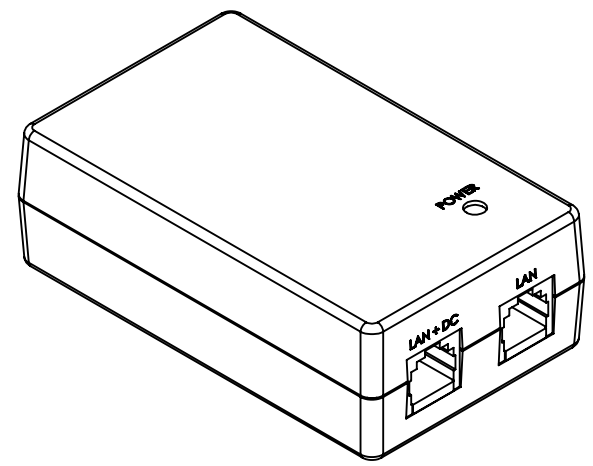
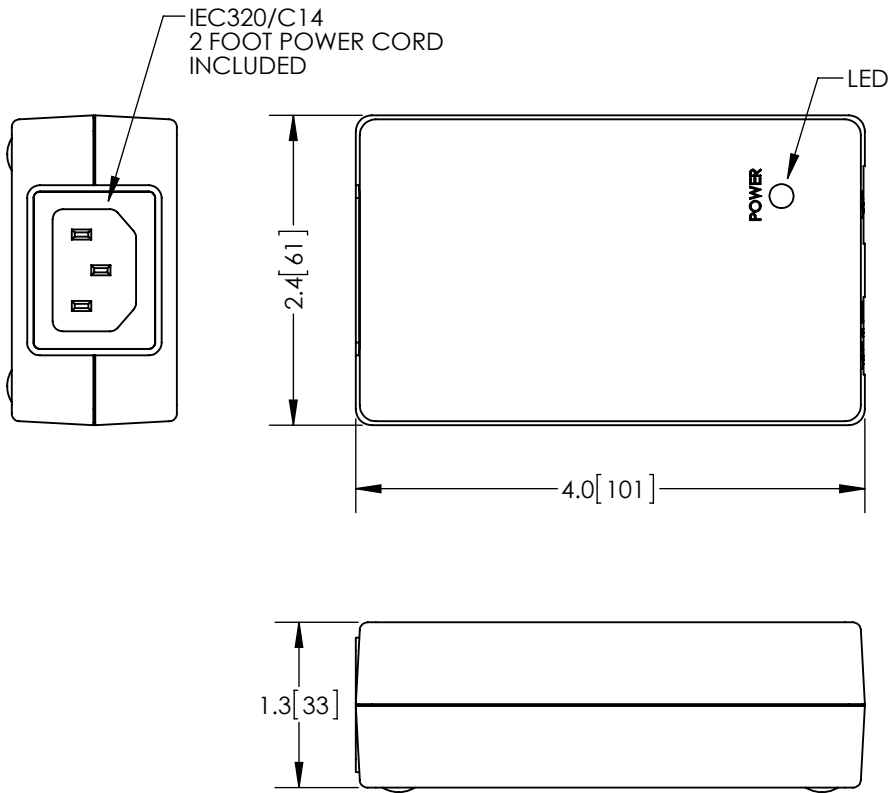


THE INFORMATION CONTAINED IN THIS DRAWING IS THE SOLE PROPERTY OF L-COM, INC. ANY REPRODUCTION IN PART OR WHOLE WITHOUT THE WRITTEN PERMISSION OF L-COM, INC. IS PROHIBITED.

REVISIONS			
REV	DESCRIPTION	DATE	APPROVED
A	INITIAL RELEASE	1/16/13	D.GRIFFIN



NOTES:
PACKAGING:
SHALL BE PACKAGED AS PER L-COM SPEC PKG-00012

- ALL DIMENSIONS FOR REFERENCE ONLY -

RoHS Compliant ✓

UNLESS OTHERWISE SPECIFIED, DIMENSIONS ARE IN INCHES [mm] DIMENSIONAL TOLERANCES: .X = ±.1 .XX = ±.01 .XXX = ±.005 ANGULAR TOLERANCES: ALL = ± 1° PROJECTION 	APPROVALS	DATE	 45 BEECHWOOD DRIVE NORTH ANDOVER, MA 01845
	DRAWN BY B.PUCHASKI	01/16/13	
	CHECKED BY K.BURGNER	01/16/13	
	APPROVED BY K.BURGNER	01/16/13	CATEGORY POWER PRODUCTS
	CONFIGURATION DETAILS OF UNDIMENSIONED FEATURES MAY VARY		PRODUCT DESCRIPTION DESKTOP 48VDC PoE INJECTOR W/ 20W POWER SUPPLY
	COLOR VARIATIONS MAY OCCUR	SIZE A	FSCM NO. 43321
		DWG. NO. PS4820-POE-1	REV. A
		SCALE: NONE	CAD FILE: PS4820-POE-1.SLDDRW
			SHEET 1 OF 1