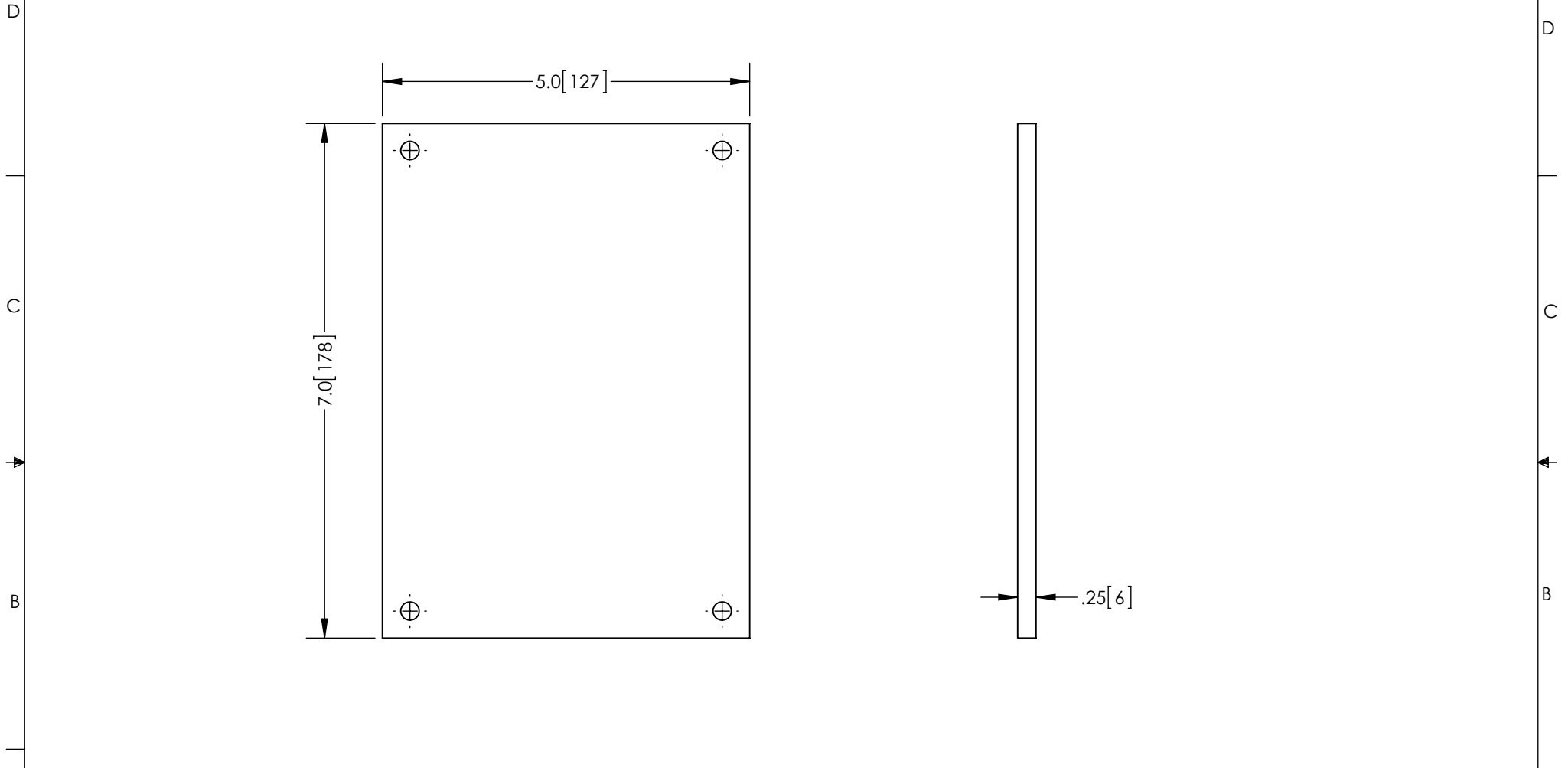


THE INFORMATION CONTAINED IN THIS DRAWING IS THE SOLE PROPERTY OF L-COM, INC. ANY REPRODUCTION IN PART OR WHOLE WITHOUT THE WRITTEN PERMISSION OF L-COM, INC. IS PROHIBITED.


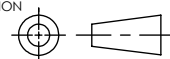
REVISIONS			
REV	DESCRIPTION	DATE	APPROVED
A	INITIAL RELEASE	07/12/12	D.GRIFFIN
B	ECN 6677 CHANGE NOTES, UPDATE DESCRIPTIONS	02/07/13	B.PUCHASKI



NOTES:

- 1- PACKAGE IN ACCORDANCE WITH L-COM SPECIFICATION PS-0014
- ALL DIMENSIONS FOR REFERENCE ONLY -

RoHS Compliant ✓

UNLESS OTHERWISE SPECIFIED, DIMENSIONS ARE IN INCHES [mm] DIMENSIONAL TOLERANCES: .X = ±.1 .XX = ±.01 .XXX = ±.005 ANGULAR TOLERANCES: ALL = ± 1°	APPROVALS	DATE	 45 BEECHWOOD DRIVE NORTH ANDOVER, MA 01845
	DRAWN BY B.PUCHASKI	07/12/12	
PROJECTION 	CHECKED BY K.BURGNER	07/12/12	CATEGORY ENCLOSURE
	APPROVED BY P.PESA	07/12/12	PRODUCT DESCRIPTION MOUNTING PLATE BLANK NON-METALIC FOR 8 X 6 NEMA ENCLOSURE
COLOR VARIATIONS MAY OCCUR	SIZE A	FSCM NO. 43321	DWG. NO. HGX-NPLATE23
SCALE: NONE		CAD FILE: HGX-NPLATE23.SLDDRW	
SHEET 1 OF 1			REV. B