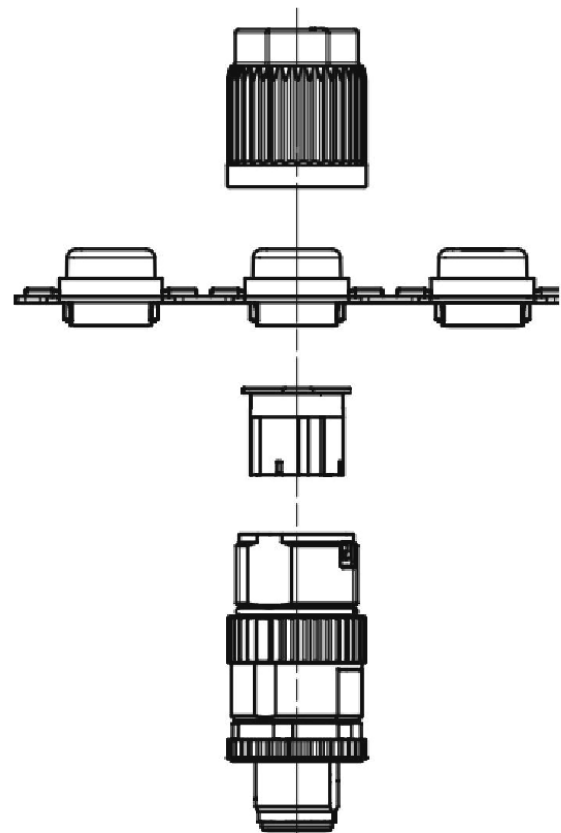
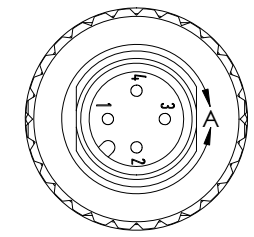
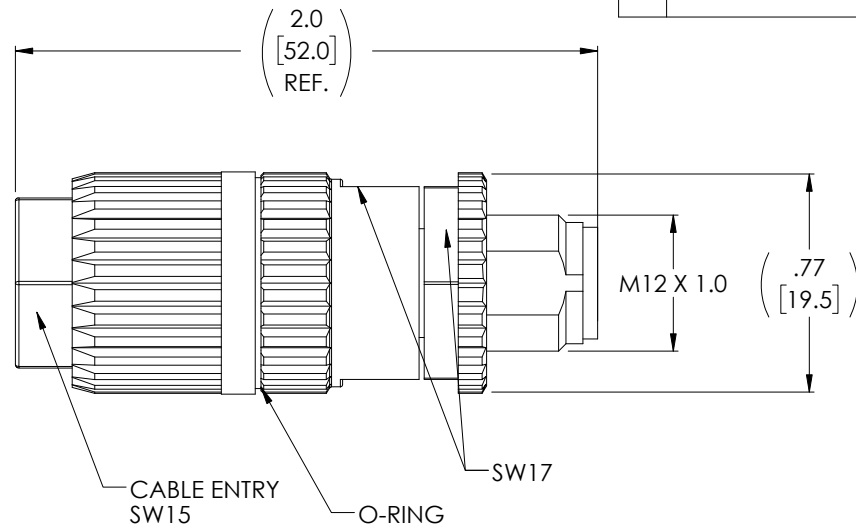


THE INFORMATION CONTAINED IN THIS DRAWING IS THE SOLE PROPERTY OF L-COM, INC. ANY REPRODUCTION IN PART OR WHOLE WITHOUT THE WRITTEN PERMISSION OF L-COM, INC. IS PROHIBITED.

REVISIONS			
REV	DESCRIPTION	DATE	APPROVED
A	INITIAL RELEASE PER DUSTIN GUTTADAURO	04/04/17	J.LABOY

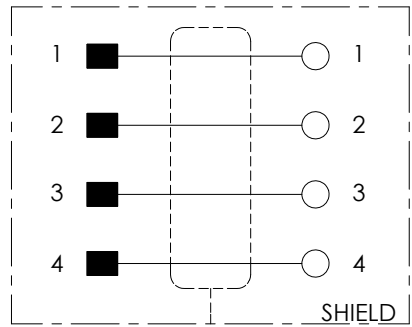


EXPLODED VIEW

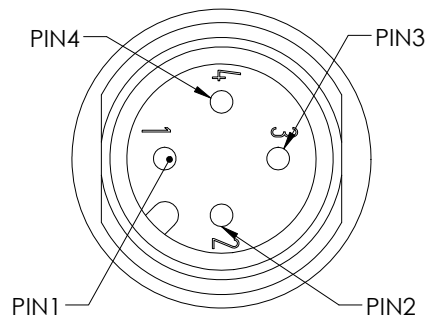


M12 SHIELDED MALE 4 POSITION A-CODED

WIRING DIAGRAM



SPlicing RING M12 MALE



DETAIL A  
CONNECTOR PIN ASSIGNMENT (ACC. IEC 61076-2-101)

NOTES:

MECHANICAL DATA:

- HOUSING: M12 MALE, 4 POLE, A-CODE, SHIELDED
- CABLE CONNECTION: IDC
- CONDUCTOR CROSS SECTION: 0.14 - 0.34 mm<sup>2</sup> (AWG 26 - 22)
- ISOLATION MATERIALS: PVC/PP
- WIRE DIAMETER: .047 [1.20MM] - .063 [1.6MM]
- CABLE OUTSIDE DIAMETER: .217 [5.5MM] - .283 [7.2MM]
- PROTECTION: IP67 (WHEN MATED AND TIGHTENED, EN 60529)
- TEMP RANGE: -25 TO +85°C

MISCELLANEOUS:

- NOMINAL VOLTAGE: MAX 50 V AC/DC
- RATED CURRENT: MAX 4A PER CONTACT
- SHIPS UNASSEMBLED

REGULATORY COMPLIANCE:

CE 2011/65/EU (ROHS DIRECTIVE)

UNLESS OTHERWISE SPECIFIED, DIMENSIONS ARE IN INCHES [mm] OVERALL CABLE LENGTH TOLERANCE: ≤12 [305] = +1 [25] / -0 >12 [305] ≤60 [1524] = +2 [51] / -0 >60 [1524] ≤120 [3048] = +4 [102] / -0 >120 [3048] ≤300 [7620] = +6 [152] / -0 >300 [7620] = +5% / -0% ALL OTHER DIMENSIONAL TOLERANCES: .X = ±.2 [5.08] .XX = ±.02 [1.51] .XXX = ±.005 [1.13]	APPROVALS	DATE
	DRAWN BY D.CUI	03/30/17
	CHECKED BY B.ZHANG	03/30/17
	APPROVED BY S.PAN	03/30/17
PROJECTION 	CONFIGURATION DETAILS OF UNDIMENSIONED FEATURES MAY VARY	COLOR VARIATIONS MAY OCCUR

**L-com** Global Connectivity  
50 HIGH STREET  
NORTH ANDOVER, MA  
01845

CATEGORY: TELECOM/MODULAR

PRODUCT DESCRIPTION: M12 MALE 4 POL, A CODED, SHIELDED

SIZE <b>A</b>	FSCM NO. <b>43321</b>	DWG. NO. <b>M12FT4AMS</b>	REV. <b>A</b>
------------------	--------------------------	------------------------------	------------------

SCALE: NONE | CAD FILE: M12FT4AMS.SLDDRW | SHEET 1 OF 1