
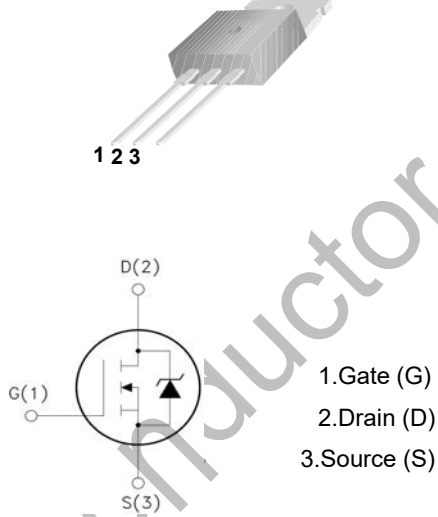


WGP20N50SE

Features:

- Low Intrinsic Capacitances.
- Excellent Switching Characteristics.
- Extended Safe Operating Area.
- Unrivalled Gate Charge :Qg=50 nC (Typ.).
- V_{DSS}=500V, I_D=20A
- R_{DS(on)} : 0.23 Ω (Max) @ V_G=10V
- 100% Avalanche Tested

TO-220 



1 2 3

1.Gate (G)
2.Drain (D)
3.Source (S)

Absolute Maximum Ratings (T_a=25°C unless otherwise noted)

Symbol	Parameter	Value	Unit
V _{DSS}	Drain-Source Voltage	500	V
I _D	Drain Current	T _C =25°C	20
		T _C =100°C	12.9
V _{GSS}	Gate- Source Voltage	±30	V
E _{AS}	Single Pulse Avalanche Energy (note1)	980	mJ
I _{AR}	Avalanche Current (note2)	20	A
P _D	Power Dissipation (T _C =25°C)	38.5	W
T _j	Junction Temperature(Max)	150	°C
T _{stg}	Storage Temperature	-55~+150	
TL	Maximum lead temperature for soldering purpose, 1/8" from case for 5 seconds	300	

Thermal Characteristics

Symbol	Parameter	Typ.	Max.	Unit
R _{θJC}	Thermal Resistance, Junction to Case	-	3.3	°C/W
R _{θJA}	Thermal Resistance, Junction to Ambient	-	62.5	

Electrical Characteristics (Ta=25°C unless otherwise noted)

Symbol	Parameter	Test Condition	Min.	Typ.	Max.	Unit
Off Characteristics						
BV _{DSS}	Drain-Source Breakdown Voltage	I _D =250μA, V _{GS} =0	500	-	-	V
ΔBV _{DSS} /ΔT _J	Breakdown Voltage Temperature Coefficient	I _D =250μA, Reference to 25°C	-	0.53	-	V/°C
I _{DSS}	Zero Gate Voltage Drain Current	V _{DS} =500V, V _{GS} =0V	-	-	1	μA
		V _{DS} =400V, T _C =125°C	-	-	10	
I _{GSSF}	Gate-body leakage Current, Forward	V _{GS} =+30V, V _{DS} =0V	-	-	100	nA
I _{GSSR}	Gate-body leakage Current, Reverse	V _{GS} =-30V, V _{DS} =0V	-	-	-100	
On Characteristics						
V _{GS(TH)}	Gate Threshold Voltage	I _D =250μA, V _{DS} =V _{GS}	2.5	-	4.5	V
R _{DS(ON)}	Static Drain-Source On-Resistance	I _D =10A, V _{GS} =10V	-	-	0.23	Ω
Dynamic Characteristics						
C _{iss}	Input Capacitance	V _{DS} =25V, V _{GS} =0, f=1.0MHz	-	3420	-	pF
C _{oss}	Output Capacitance		-	325	-	
C _{rss}	Reverse Transfer Capacitance		-	25	-	
Switching Characteristics						
T _{d(on)}	Turn-On Delay Time	V _{DD} =250V, I _D =20A R _G =25Ω (Note 3,4)	-	95	200	nS
T _r	Turn-On Rise Time		-	375	760	
T _{d(off)}	Turn-Off Delay Time		-	100	210	
T _f	Turn-Off Rise Time		-	105	220	
Q _g	Total Gate Charge	V _{DS} =400V, V _{GS} =10V, I _D =20A (Note 3,4)	-	50	65	nC
Q _{gs}	Gate-Source Charge		-	14.8	-	
Q _{gd}	Gate-Drain Charge		-	21.6	-	
Drain-Source Diode Characteristics and Maximum Ratings						
I _S	Max. Diode Forward Current	-	-	-	20	A
I _{SM}	Max. Pulsed Forward Current	-	-	-	80	
V _{SD}	Diode Forward Voltage	I _D =20A	-	-	1.5	V
T _{rr}	Reverse Recovery Time	I _S =20A, V _{GS} =0V diF/dt=100A/μs	-	507	-	nS
Q _{rr}	Reverse Recovery Charge	(Note3)	-	7.2	-	μC

- Notes : 1, L=5.0mH, I_{AS}=20A, V_{DD}=50V, R_G=25Ω, Starting T_J =25°C
 2, Repetitive Rating : Pulse width limited by maximum junction temperature
 3, Pulse Test : Pulse Width ≤ 300μs, Duty Cycle ≤ 2%
 4, Essentially Independent of Operating Temperature

Typical Characteristics

Figure 1. On-Region Characteristics

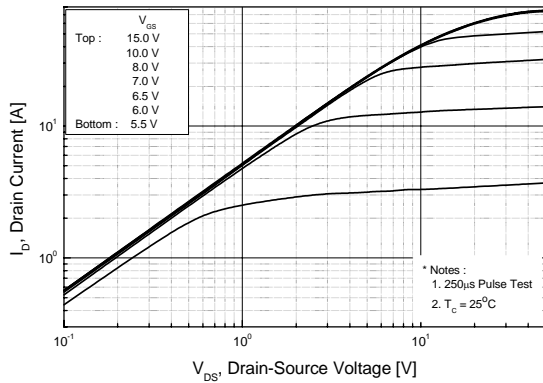


Figure 2. Transfer Characteristics

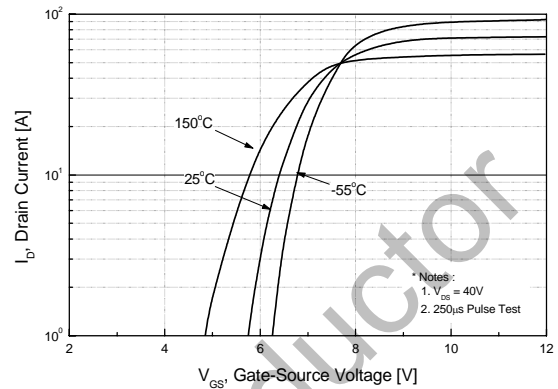


Figure 3. On-Resistance Variation vs. Drain Current and Gate Voltage

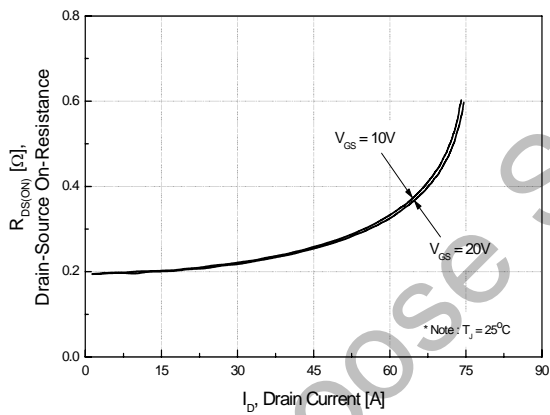


Figure 4. Body Diode Forward Voltage Variation vs. Source Current and Temperature

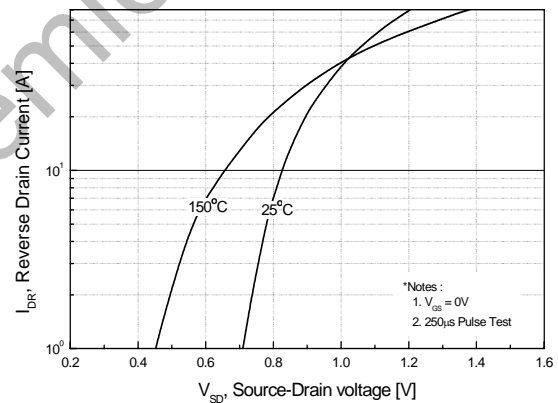


Figure 5. Capacitance Characteristics

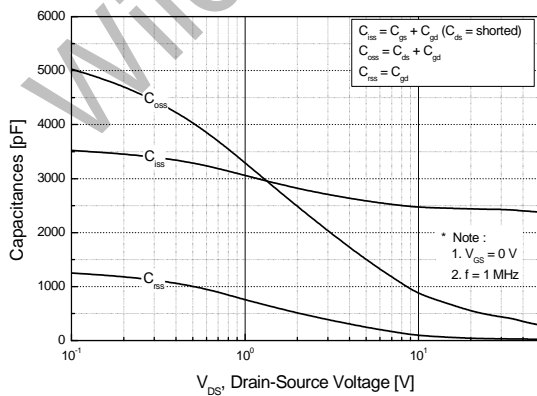
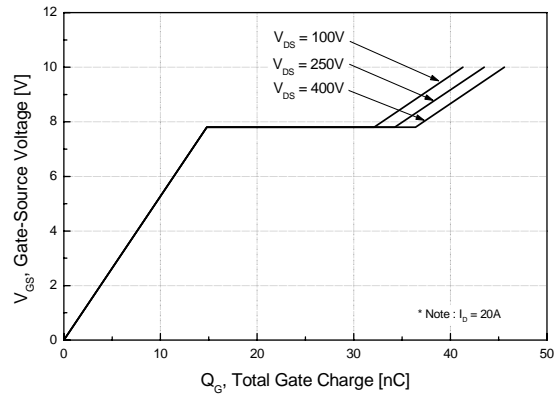


Figure 6. Gate Charge Characteristics



Typical Characteristics (Continued)

Figure 8. On-Resistance Variation vs. Temperature

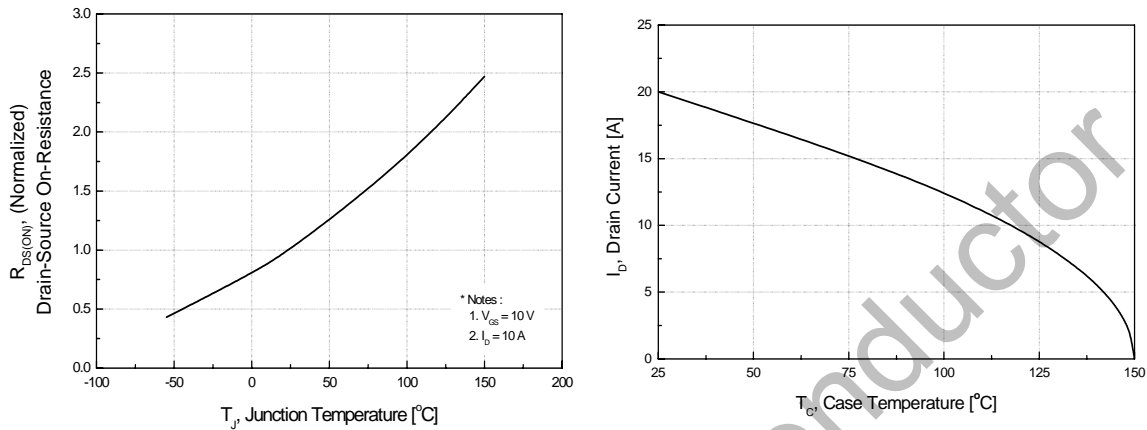


Figure 9-2. Maximum Safe Operating Area

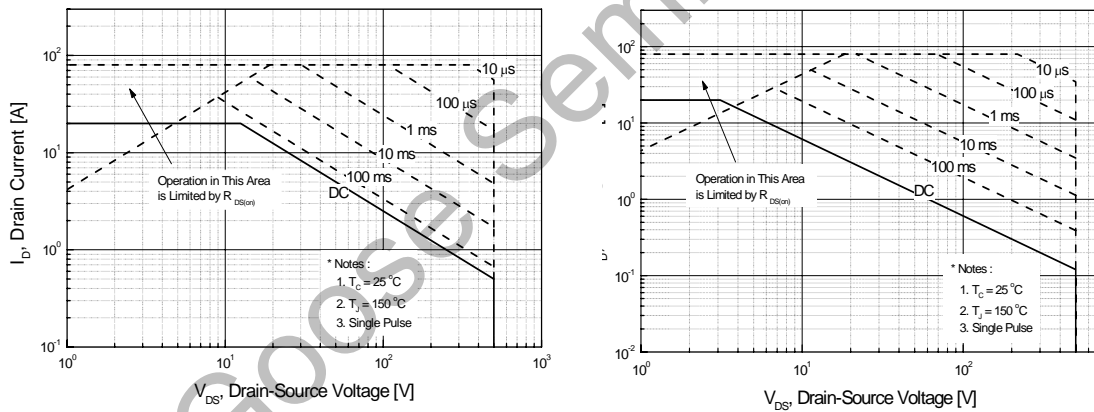
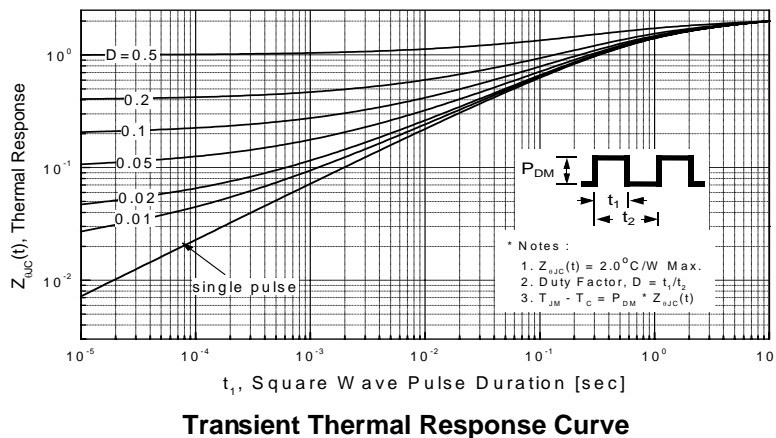
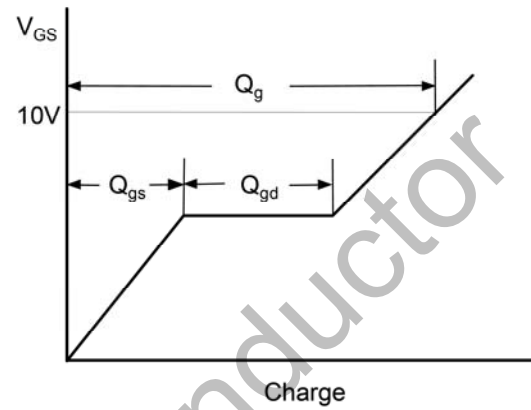
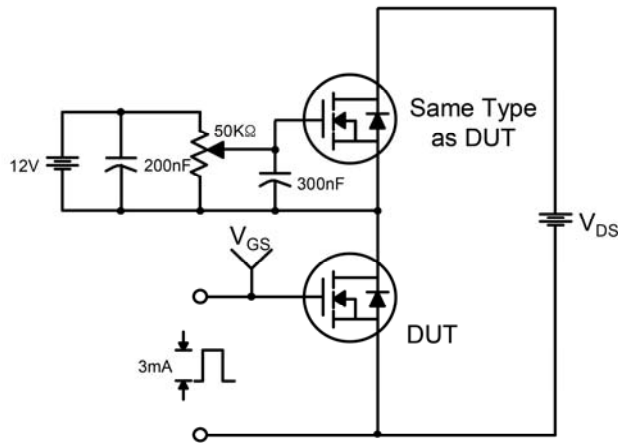


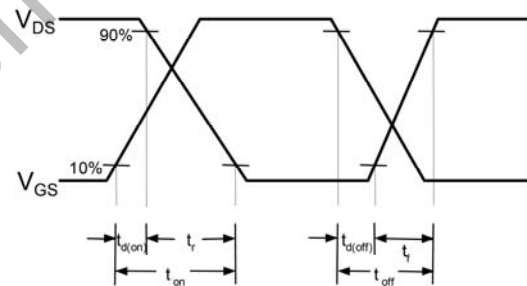
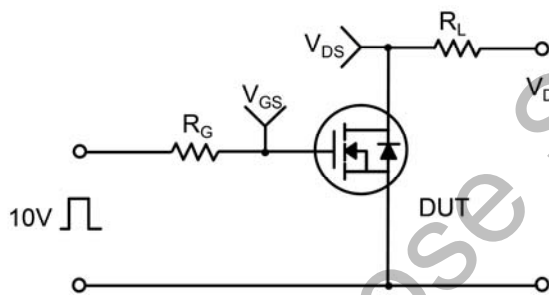
Figure 10. Maximum Drain Current vs. Case Temperature



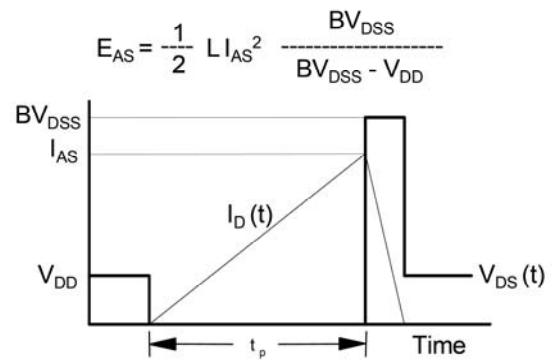
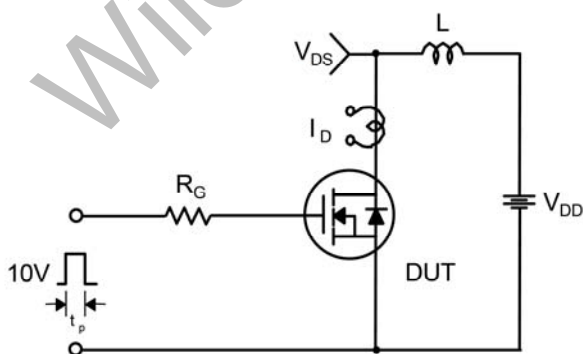
Gate Charge Test Circuit & Waveform



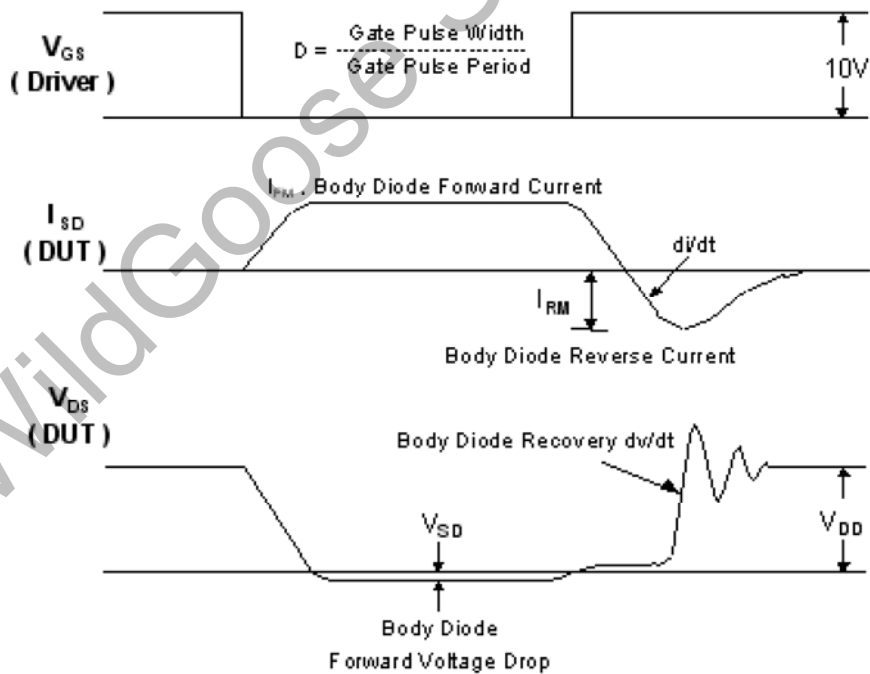
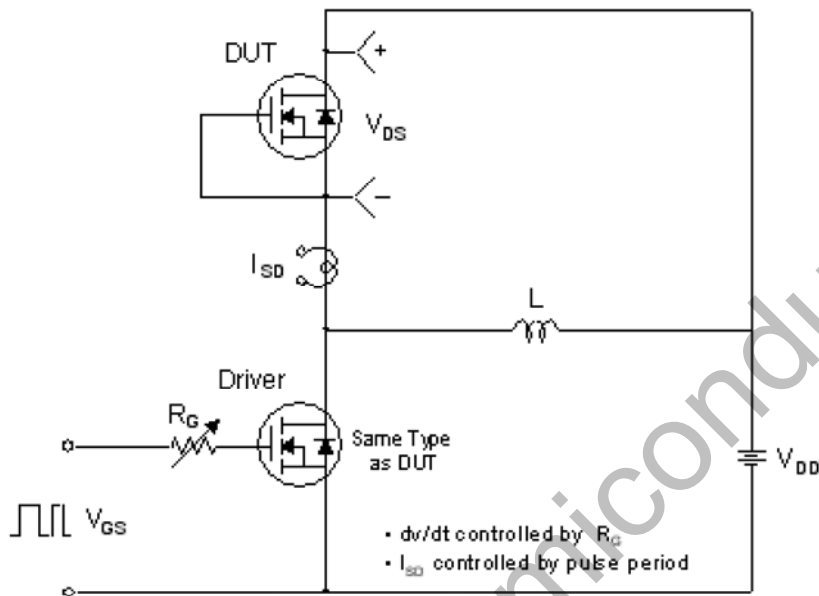
Resistive Switching Test Circuit & Waveforms



Unclamped Inductive Switching Test Circuit & Waveforms



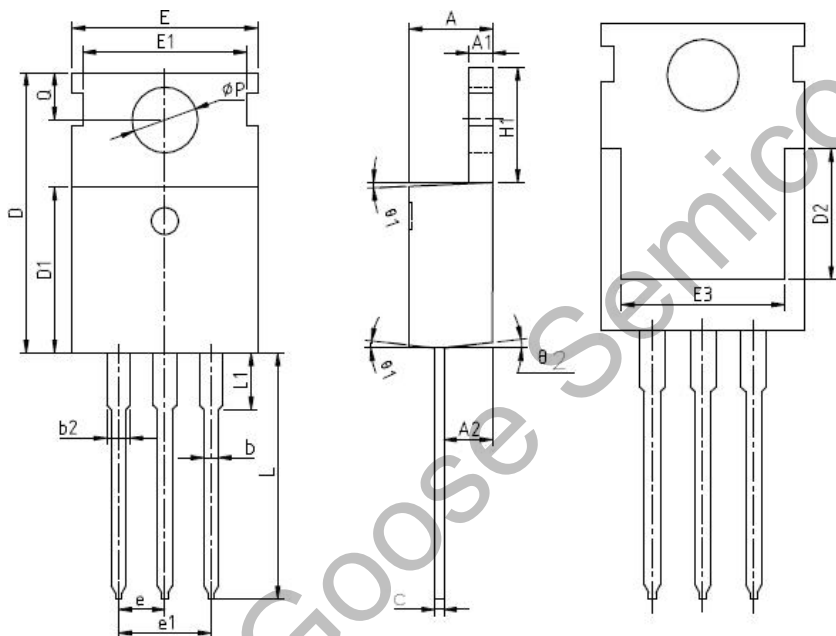
Peak Diode Recovery dv/dt Test Circuit & Waveform



Package Dimension

Unit: mm

TO-220



SYMBOL	MIN	NOM	MAX
A	4.27	4.57	4.87
A1	1.15	1.30	1.45
A2	2.10	2.40	2.70
b	0.70	0.80	1.00
b2	1.17	1.27	1.50
c	0.40	0.50	0.65
D	15.10	15.60	16.10
D1	8.80	9.10	9.40
D2	5.70	6.70	7.00
E	9.70	10.00	10.30
E1	-	8.70	-
E2	9.65	10.00	10.35
E3	7.00	8.00	8.40
e	2.54 BSC		
e1	5.08 BSC		
H1	6.00	6.50	6.85
L	12.75	13.50	13.90
L1	-	3.10	3.40
φP	3.45	3.60	3.75
Q	2.60	2.80	3.00
θ 1	4°	7°	10°
θ 2	0°	3°	6°