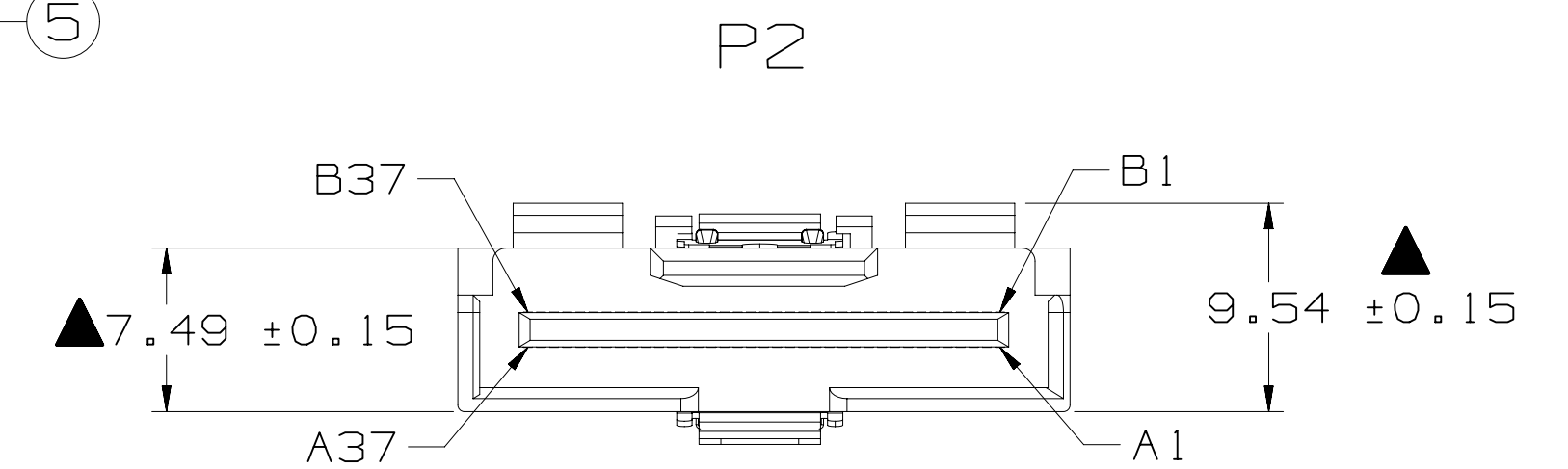
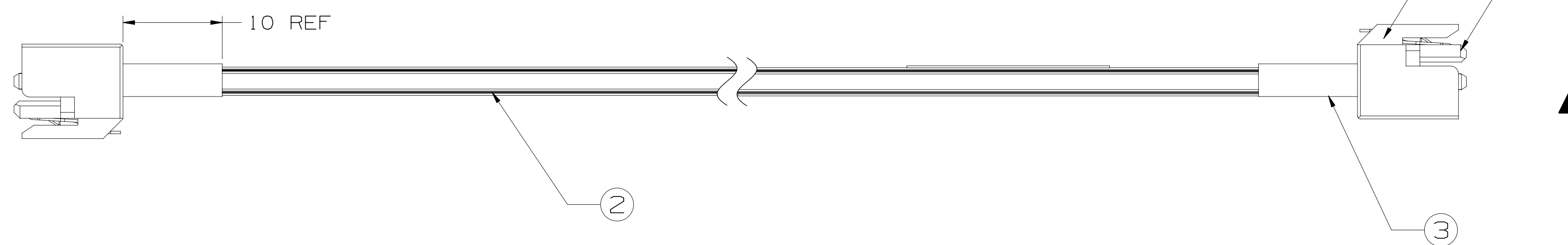
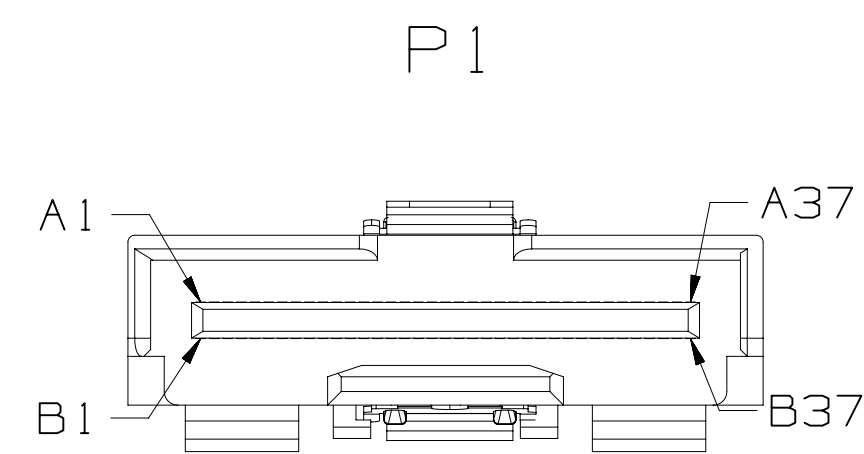
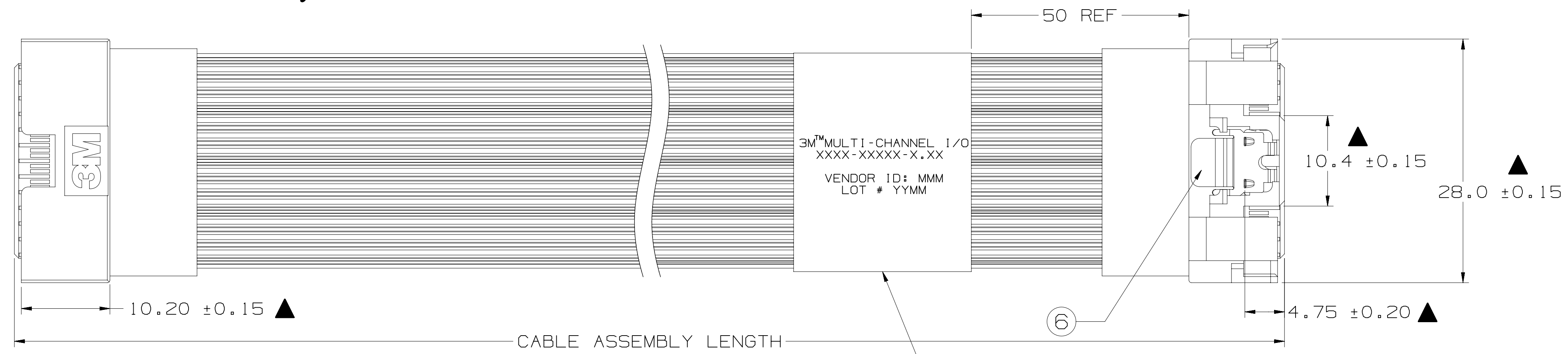


# 3M™ Multi-Channel I/O Twin Axial Cable Assembly



## NOTES:

- PADLECARD PLATING:  
30μ" MIN. GOLD PLATING  
50μ" MIN. NICKEL UNDERPLATING.
- UNLESS OTHERWISE NOTED, REFERENCES TO INDUSTRY SPECIFICATIONS ARE INTENDED TO INDICATE SUBSTANTIAL COMPLIANCE TO THE MATERIAL ELEMENTS OF THE SPECIFICATION. SUCH REFERENCE SHOULD NOT BE CONSTRUED AS A GUARANTEE OF COMPLIANCE TO ALL REQUIREMENTS IN A GIVEN SPECIFICATION.
- CLOTH TAPE WRAPPED AROUND CABLE RIBBONS AT BACK OF EACH CONNECTOR. ALSO, UP TO TWO ADDITIONAL TAPE PIECES WILL BE WRAPPED AROUND THE TWO CABLE RIBBONS SPACED EQUIDISTANT FROM THE CONNECTOR ENDS AND EACH OTHER, DEPENDING ON ASS'Y LENGTH (L):  
L ≤ 0.2M: NO ADDITIONAL TAPE  
0.2M < L ≤ 0.6M: 1 TAPE WRAP  
0.6M < L ≤ 1.0M: 2 TAPE WRAP
- PRODUCT SPECIFICATION:  
78-5102-0346-2
- TWO RIBBONS OF 3M™ RIBBON TWIN AXIAL CABLE.  
SL8802/24-CYEN5-00  
85 OHM, 31AWG, 12PR, HB
- THIS CABLE CONSTRUCTION HAS A THIN ALUMINUM LAYER AT EACH EDGE. USER SHOULD EVALUATE ITS USE IN THEIR APPLICATION AND, IF NECESSARY, INSULATING TAPE MAY BE APPLIED TO COVER THE ALUMINUM LAYER, AS USER DEEMS APPROPRIATE.
- LENGTH TOLERANCE:  
±6 MM FOR LENGTHS 0.125 TO 0.4 METERS,  
±10 MM FOR LENGTHS 0.4 TO 1.0 METERS.

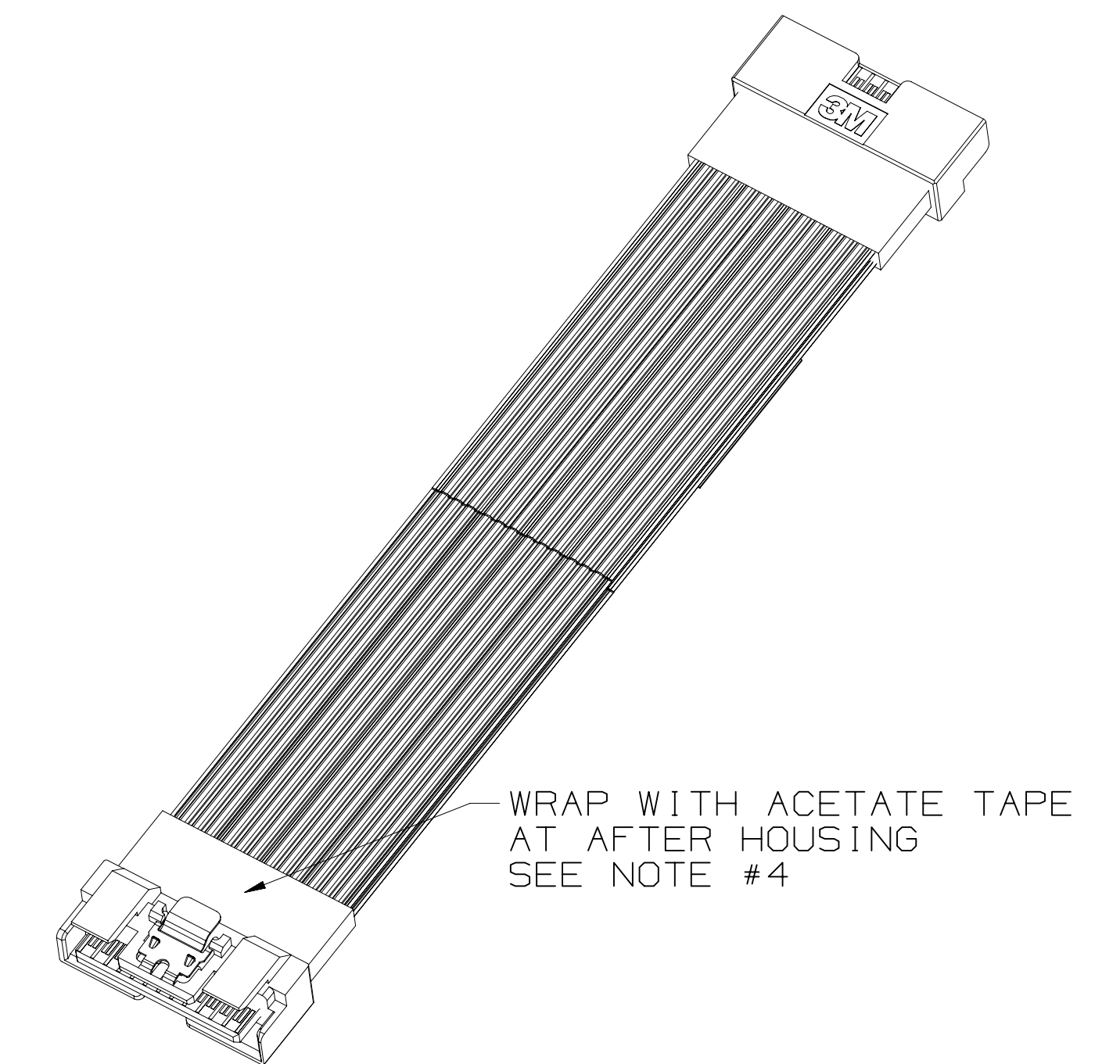
## PART NUMBER DETAIL

ITEM	3M PART NUMBER	LENGTH "X.XX" meter
1	8MS8-1DG11-0.50	0.50
2	8MS8-1DG11-0.75	0.75
3	8MS8-1DG11-1.00	1.00
4	8MS8-1DG11-X.XX	OTHER LENGTH UPTO 1.0m, CONTACT 3M SALES

3M™ MULTI-CHANNEL I/O  
XXXX-XXXXX-X.XX

VENDOR ID: MMM  
LOT # YYMM

## LABEL DETAIL



DESIGN REFERENCE	NEXT ASSEMBLY	REV	ECO	ISSUE DATE AND DESCRIPTION	DRFT	CHKD
US419a	S9830a			JAN 04, 2021	YUNLONG	JAN 04, 2021
DIVISION		DVT/SQL CODE		DATE	APPV	DATE
DO NOT SCALE DRAWING		SCALE		TOLERANCES EXCEPT AS NOTED		
THIRD ANGLE PROJECTION		TOLERANCES EXCEPT AS NOTED		© 3M COPYRIGHT 2021 This document and the information it contains are 3M property and may not be reproduced or further distributed without 3M permission, or used or disclosed other than for 3M authorized purposes. All rights reserved.		
INTERPRET PER ASME Y14.5 - 2018		MILLIMETERS		TITLE		
MAX SURFACE ROUGHNESS		INCHES		MULTI-CHANNEL I/O		
125		0		STD ASSY 12P 850HMS		
<input checked="" type="checkbox"/> ALL SURFACES <input checked="" type="checkbox"/> MARKED ONLY		.00 ± .02 .00 ± .10 .000 ± .005		TS-2722		
ANGLE ± 3°		0 ± 1 .00 ± .10 .000 ± .005		CAGE NUMBER		
				D 78-5100-2722-6		
				REV. A		
				SHT 1 OF 2		

01-20-2021 10:43Z 78-5100-2722-6 A MC10 74P-1P-6  
 78-5100-2722-6 A  
 DRAWING NUMBER  
 REVISION

# 3M™ Multi-Channel I/O Twin Axial Cable Assembly

## BOM

6	METAL LATCH 78-9102-6483-3	2X
5	PCB 78-9102-7648-0	2X
4	LABEL , 40X30MM	1X
3	ACETATE TAPE	AS REQUIRED
2	TWIN AX CABLE , REFER TO NOTES	AS PER LENGTH
1	HIGH SPEED CABLE PLUG STRAIGHT OVER MOLD	2X
ITEM	SPECIFICATION	QUANTITY

**Regulatory:** For regulatory information about this product, visit 3M.com/regs or contact your 3M representative.

**Technical Information:** The technical information, recommendations and other statements contained in this document are based upon tests or experience that 3M believes are reliable, but the accuracy or completeness of such information is not guaranteed.

**Product Use:** Many factors beyond 3M's control and uniquely within user's control can affect the use and performance of a 3M product in a particular application. Given the variety of factors that can affect the use and performance of a 3M product, user is solely responsible for evaluating the 3M product and determining whether it is fit for a particular purpose and suitable for user's method of application.

**Warranty, Limited Remedy, and Disclaimer:** Unless an additional warranty is specifically stated on the applicable 3M product packaging or product literature, 3M warrants that each 3M product meets the applicable 3M product specification at the time 3M ships the product. 3M MAKES NO OTHER WARRANTIES OR CONDITIONS, EXPRESS OR IMPLIED, INCLUDING, BUT NOT LIMITED TO, ANY IMPLIED WARRANTY OR CONDITION OF MERCHANTABILITY OR FITNESS FOR A PARTICULAR PURPOSE OR ANY IMPLIED WARRANTY OR CONDITION ARISING OUT OF A COURSE OF DEALING, CUSTOM OR USAGE OR TRADE. If the 3M product does not conform to this warranty, then the sole and exclusive remedy is, at 3M's option, replacement of the 3M product or refund of the purchase price.


**Limitation of Liability:** Except where prohibited by law, 3M will not be liable for any loss or damage arising from the 3M product, whether direct, indirect, special, incidental or consequential, regardless of the legal theory asserted, including warranty, contract, negligence or strict liability.

3M Company  
 Electronics Materials Solutions Division  
 13011 McCallen Pass, Bldg. C  
 Austin, TX 78753-5380  
 1-800-225-5373  
 www.3M.com/interconnect

## PINOUT

P1 MCIO		P2 MCIO	P1 MCIO		P2 MCIO
A1	GND	B1	B1	GND	A1
A2	TX0+	B2	B2	RX0+	A2
A3	TX0-	B3	B3	RX0-	A3
A4	GND	B4	B4	GND	A4
A5	TX1+	B5	B5	RX1+	A5
A6	TX1-	B6	B6	RX1-	A6
A7	GND	B7	B7	GND	A7
A8	TX2+	B8	B8	RX2+	A8
A9	TX2-	B9	B9	RX2-	A9
A10	GND	B10	B10	GND	A10
A11	TX3+	B11	B11	RX3+	A11
A12	TX3-	B12	B12	RX3-	A12
A13	GND	B13	B13	GND	A13
A14	TX4+	B14	B14	RX4+	A14
A15	TX4-	B15	B15	RX4-	A15
A16	GND	B16	B16	GND	A16
A17	TX5+	B17	B17	RX5+	A17
A18	TX5-	B18	B18	RX5-	A18
A19	GND	B19	B19	GND	A19
A20	TX6+	B20	B20	RX6+	A20
A21	TX6-	B21	B21	RX6-	A21
A22	GND	B22	B22	GND	A22
A23	TX7+	B23	B23	RX7+	A23
A24	TX7-	B24	B24	RX7-	A24
A25	GND	B25	B25	GND	AA5
A26	TX8+	B26	B26	RX8+	A26
A27	TX8-	B27	B27	RX8-	A27
A28	GND	B28	B28	GND	A28
A29	TX9+	B29	B29	RX9+	A29
A30	TX9-	B30	B30	RX9-	A30
A31	GND	B31	B31	GND	A31
A32	TX10+	B32	B32	RX10+	A32
A33	TX10-	B33	B33	RX10-	A33
A34	GND	B34	B34	GND	A34
A35	TX11+	B35	B35	RX11+	A35
A36	TX11-	B36	B36	RX11-	A36
A37	GND	B37	B37	GND	A37

NOTE: ALL GND SIGNALS ARE TIED TOGETHER IN THE PADDLECARDS AT EACH END OF ASSEMBLY (A1, A4, A7, A13, A16, A19, A22, A25, A31, A33, A37, B1, B4, B7, B10, B13, B16, B19, B22, B25, B28, B31, B34, B37)

DESIGN REFERENCE		NEXT ASSEMBLY		REV	ECO	ISSUE DATE AND DESCRIPTION	DRFT	CHKD
FACE CODES		US419a S9830a		YUNLONG		JAN 04,2021	YUNLONG	JAN 04,2021
DIVISION		DIVISION CODE		CHKD	DATE	APPV	DATE	DATE
DO NOT SCALE DRAWING		SCALE		YUNLONG	JAN 04,2021	JG LIU	JAN 04,2021	JAN 04,2021
THIRD ANGLE PROJECTION		TOLERANCES EXCEPT AS NOTED		YUNLONG	JAN 04,2021	Saujit Bandhu	JAN 04,2021	JAN 04,2021
INTERPRET PER ASME Y14.5 - 2018		MILLIMETERS		 © 3M COPYRIGHT 2021 This document and the information it contains are 3M property and may not be reproduced or further distributed without 3M permission, or used or disclosed other than for 3M authorized purposes. All rights reserved.				
MAX SURFACE ROUGHNESS		INCHES		TITLE MULTI-CHANNEL I/O STD ASSY 12P 850HMS TS-2722				
125		0 ± .1		CAGE NUMBER		DRAWING NO.		REV.
<input type="checkbox"/> ALL SURFACES <input checked="" type="checkbox"/> MARKED ONLY		.00 ± .10 .000 ± .005		D		78-5100-2722-6		A
		ANGLES ±3°		MODEL		SHT 2 OF 2		

01-20-2021 10:43Z 78-5100-2722-6 A MC10 74P-1P-1  
 78-5100-2722-6 A  
 DRAWING NUMBER  
 REVISION