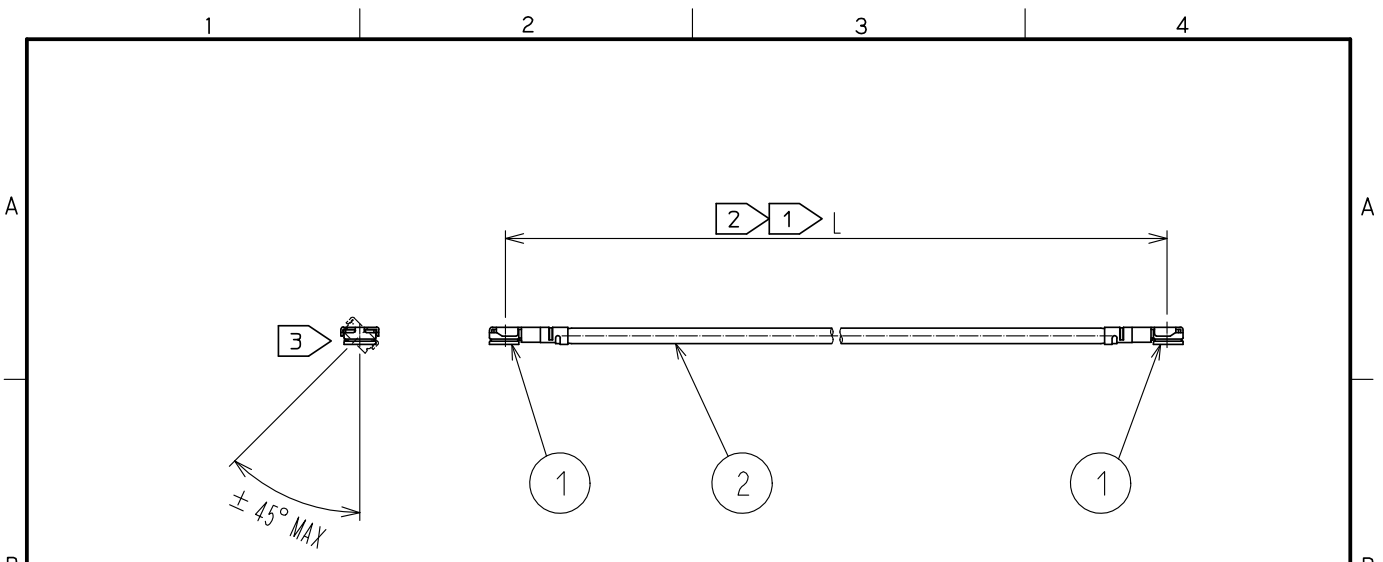


Aug.1.2023 Copyright 2023 HIROSE ELECTRIC CO., LTD. All Rights Reserved.
 In case of consideration for using Automotive equipment / device which demand high reliability, kindly contact our sales window correspondents.



Part No.	Cable color
~04*1TV~	WHITE
~04*2TV~	BLACK

NOTE ① We indicate the length of the harness on the last of product name. 'L' part.

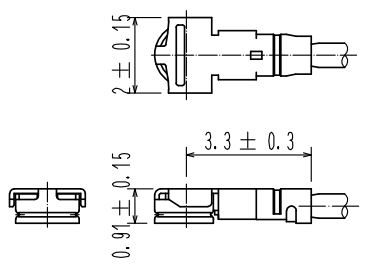
② Tolerance for [L]

Length L [mm]	Tolerance [mm]
$35 \leq L \leq 200$	± 4
$200 < L \leq 500$	± 8
$500 < L \leq 1000$	± 12
$L > 1000$	$\pm 1.5\%$

③ Connector rotation angle is within ± 45 degree from the above image.
 For long length in the case of $L > 500$, the angle is optional.

4. Specifications are subject to change without notice.

【 DIMENSIONS OF CONNECTOR 】



1	W.FL2-LP-040HF(06)	CL331-0311-3-06	2	0.81 Dia. coaxial cable
NO.	PART NO.	CODE NO.	NO.	PART NO.

HALOGEN FREE

UNITS mm		SCALE FREE	COUNT 1	DESCRIPTION OF REVISIONS DIS-D-00003244	DESIGNED MS. MATSUMOTO	CHECKED MT. KANEKO	DATE 18.06.14
-------------	--	---------------	------------	--	---------------------------	-----------------------	------------------

HIROSE ELECTRIC CO., LTD.	APPROVED :NK. NINOMIYA	16.07.26	DRAWING NO.	WFL2-2LPHF6-04**TV-A-L ①
	CHECKED :MT. KANEKO	16.07.26	PART NO.	
	DESIGNED :MS. MATSUMOTO	16.07.26	CODE NO.	
	DRAWN :MS. MATSUMOTO	16.07.26	NO.	