

# HSF RoHS

## MATERIALS

Housing: Plastic Thermoplastic, PBT, UL94V-0, Black  
 Contact Material: Copper Alloy Gold Selective Plated  
 Front Shell: Zinc Alloy, Nickel Plated Over Copper  
 RoHS Compliant

## ELECTRICAL CHARACTERISTICS

Rated Current: 1.0AMP  
 Withstand Voltage: 500V AC/DC  
 Insulation Resistance: 500MΩ Min  
 Contact Resistance: 35mΩ Max  
 Operation Temperature: -55°C to +105°C

## 材质

胶芯: 塑胶 PBT UL94V-0, 黑色  
 端子: 铜合金, 镀半金锡  
 前壳: 锌合金, 镀镍

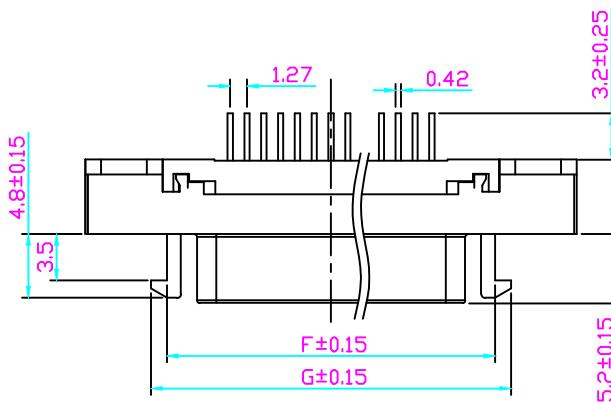
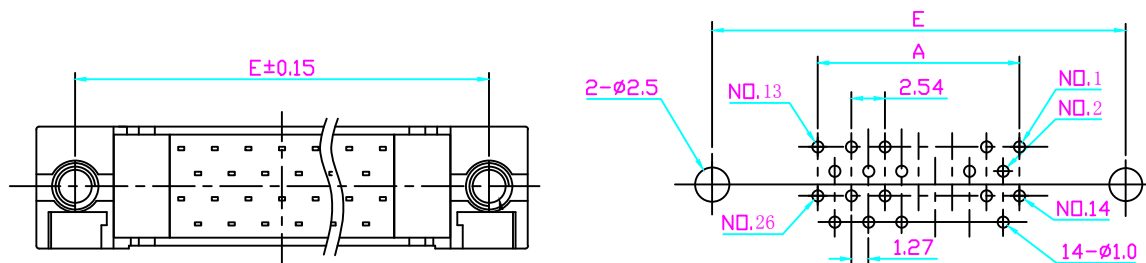
## 规格

耐电流: 1安培  
 最大耐电压: 交流500伏特  
 绝缘抗阻: 最小值大于500百万欧姆  
 接触阻抗: 最大值小于35千分之一欧姆  
 工作温度: -55°C到+105°C

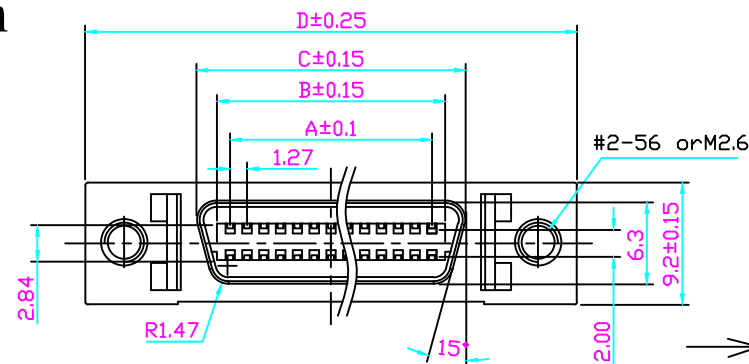
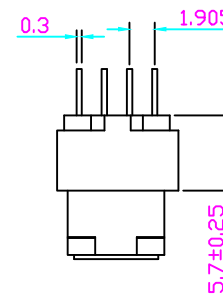
## Ordering Information

6300 F XXX S C S2 M N T 01

14=14P S=S/T Contact Plating P=全塑 W=金属定位  
 26=26P R=R/A S0: Gold Flash/Tin S2: 3U" Flash/Tin M=金属外壳柱  
 50=50P S3: 5U" Flash/Tin G5: 5U" Gold N=无柱  
 G6: 10U" Gold  
 G0: Gold Flash  
 SN: Tin



## PCB LAYOUT



No. of Pin	DIMENSIONS						
	A	B	C	D	E	F	G
14	7.62	9.59	12.6	29.51	23.64	17.25	19.58
26	15.24	17.21	20.24	37.13	31.26	24.76	27.2
50	30.48	32.45	35.39	52.37	46.5	40.0	42.44

E				Units	mm	Scale	1:1	Drawing By	Date	深圳市连盛精密连接器有限公司				
D				Tolerance Unless		Otherwise Specified		wang zhi gang						
C				.X ~ ±0.30				Check By	Date	Date	2013/03/18	Title		
B				.XX ~ ±0.25				zeng chun ming		Sheet	1 of 1			
A				.XXX ~ ±0.20				Approval By	Date	Thirt Angle Projection		Drawing No.	6300F26SCS2MNT01	REV
REV	ZONE	LTR	DESCRIPTION.	ECN.NO.	Date	Angle ~ ± 3°		zeng chun ming				File Path		A