

4

3

2

1

D

D

C

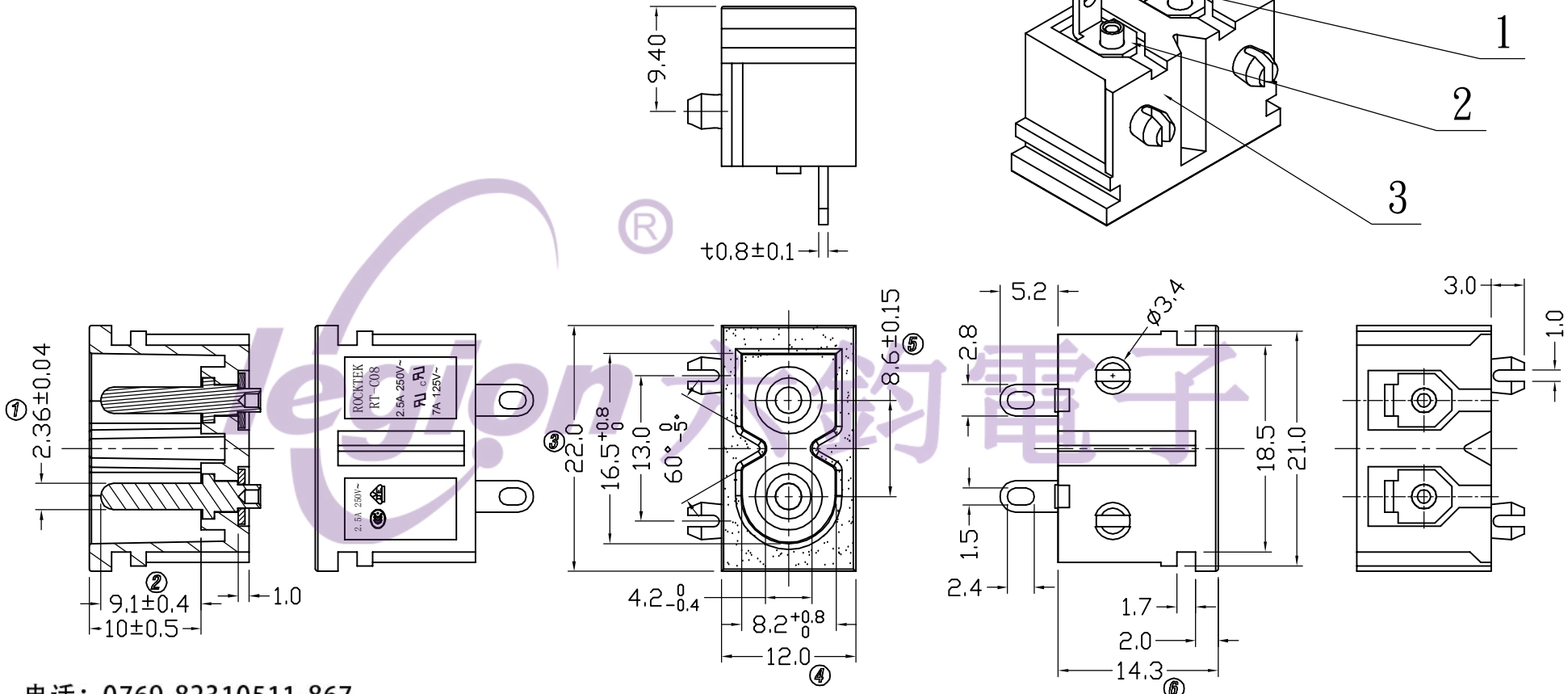
C

B

B

A

A

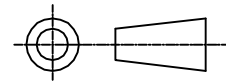


电话: 0769-82310511-867  
 邮箱: hooya89@hooya.hk

NOTES:  
 1. Rating : 2.5A 250VAC CCC VDE  
           2.5A 250VAC UL CUL  
           7A 125VAC UL CUL  
 2. Contact resistance : 50mΩ Max  
 3. Insulation resistance : >100MΩ (Min) 500VDC  
 4. Dielectric strength : >2000VAC 0.5mA 1 minutes

品名	颜色
RT-C08-M2-BJ	Black
RT-C08-M2-WJ	White

NO.	PART NAME	MATERIAL	Q'TY
3	BODY	PA66 UL94V-0 Black & White	1
2	1# terminal	C2680 1/2H Tin-plating 3~5μm	2
1	1# PIN	C3602 Ni-plating 3~5μm	2

NO	DESCRIPTION	NO	DESCRIPTION	ANGLES	TOLERANCES	APPROVED	CHECKED	DESIGN	DRAWN	ALL SIZE ARE IN	MM	DRAWING NO. REV.	
5	→	10	→		DIMENSIONAL TOLERANCES				LMC	SCALE	NO		RT-C08-M2-*J ***** A0
4	→	9	→		RANGE TOLERANCE			2020.11.14	MAT'L	***			
3	→	8	→	X	±0.30				MATERIAL NO.				
2	→	7	→	X.X	±0.20								
1	→	6	→	X.XX	±0.10								
					±1'	LECION ELECTRONIC & HARDWARE CO., LTD.							

4

3

2

1