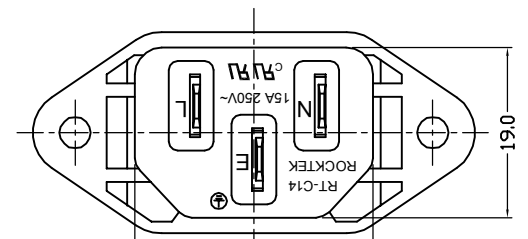
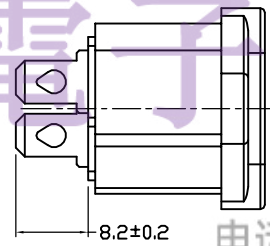
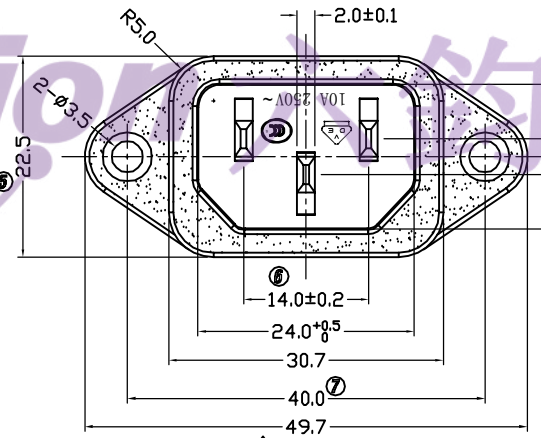
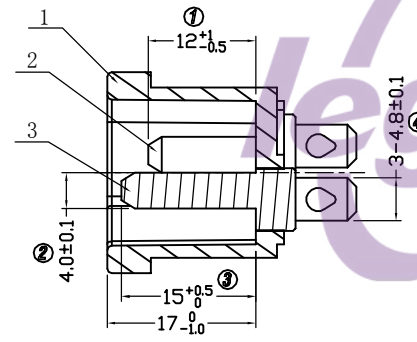
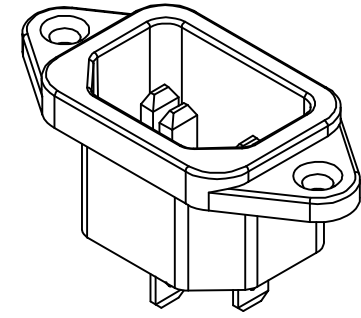
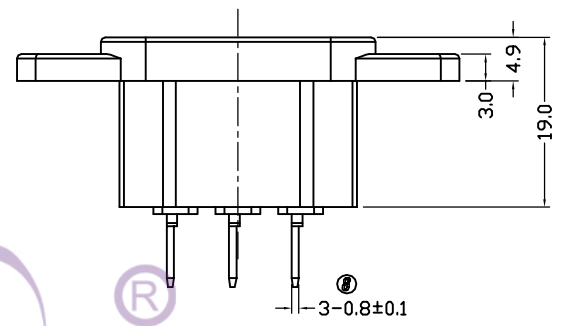


PANEL CUT-OUT



电话 : 0769-82310511-867  
 邮箱 : hooya89@hooya.hk  
 V : hooya89

NOTES:

- 1.Electrical rating : 10A 250VAC VDE CCC  
 15A 250VAC UL CUL
- 2.Insulation resistance : >100MΩ Min 500VDC
- 3.Dielectric strength : >1500V 1 minute

3	2# pin	C2680 1/2H	Tin-plating 3~5um	1
2	1# pin	C2680 1/2H	Tin-plating 3~5um	2
1	BODY	PA66 UL94V-0	Black	1
NO.	PART NAME	MATERIAL		Q'TY

5	→	10	→	DIMENSIONAL TOLERANCES		APPROVED	CHECKED	DESIGN	DRAWN	ALL SIZE ARE IN	MM	
4	→	9	→	RANGE	TOLERANCE					SCALE	FIT	
3	→	8	→	X	±0.3					MAT'L	***	
2	→	7	→	X.X	±0.2					MATERIAL NO.	DRAWING NO.	
1	49.5 → 49.7 2021.06.18	6	→	X.XX	±0.1							
NO	DESCRIPTION	NO	DESCRIPTION	ANGLES	±1°	LEGION ELECTRONIC & HARDWARE CO., LTD				RT-C14-C0B-AA	WIF117006	A1

LMC  
2017.06.07

A

A

4

3

2

1