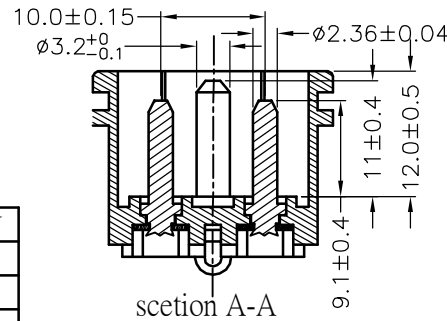
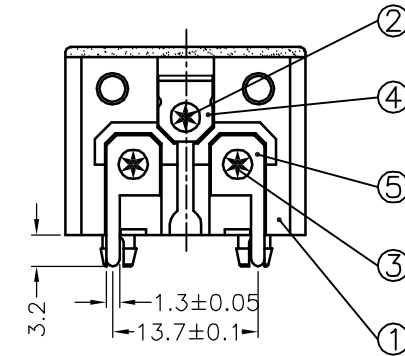
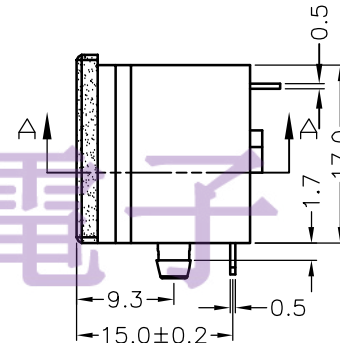
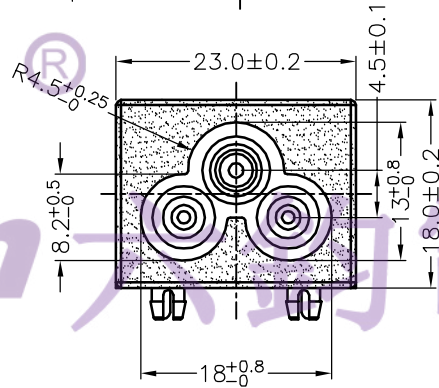
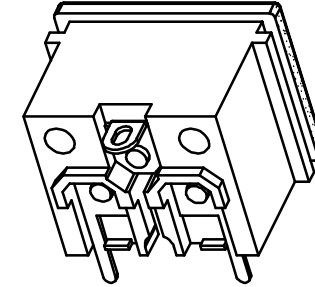
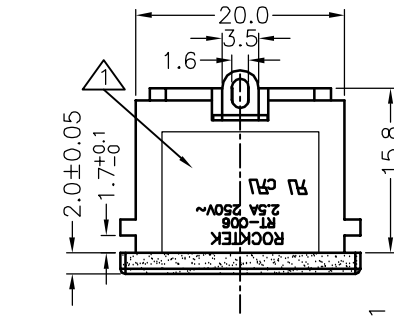
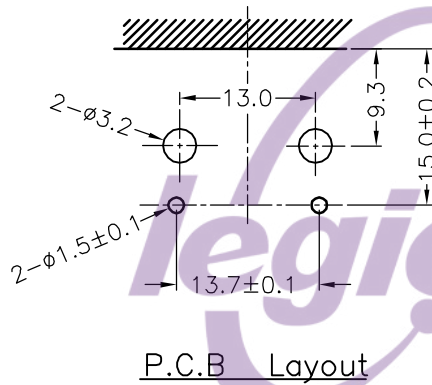


NOTES:

1. Rating : 2.5A 250VAC UL CUL
2. Contact resistance : 50mΩ Max
3. Insulation resistance : >100MΩ Min 500VDC
4. Dielectric strength : >2000VAC 0.5mA 1 minutes



电话 : 0769-82310511-867  
 邮箱 : hooya89@hooya.hk  
 V : hooya89

NO.	PART NAME	MATERIAL	Q'TY
5	2# terminal	C2680 1/2H t=0.5mm Tin-Plated	2
4	1# terminal	C2680 1/2H t=0.5mm Tin-Plated	1
3	2# PIN	C2680 1/2H d=φ2.36mm Ni-Plated	2
2	1# PIN	C2680 1/2H d=φ3.2mm Ni-Plated	1
1	BODY	PC Black	1

NO	DESCRIPTION	APPROVED	DATE	DIMENSIONAL TOLERANCES		APPROVED	CHECKED	DESIGN	DRAWN	ALL SIZE ARE IN		DRAWING NO.   REV.	
				RANGE	TOLERANCE					MM	FIT	DRAWING NO.	REV.
5				X	±0.3				LMC	MATERIAL NO.			
4				X.X	±0.2				2017.06.08				
3				X.XX	±0.1								
2				ANGLES	±1°								
LEGIION ELECTRONIC & HARDWARE CO., LTD										RT-C06-A1B-AC	*****	A1	